



US00D859224S

(12) **United States Design Patent** (10) **Patent No.:** **US D859,224 S**
Kamen et al. (45) **Date of Patent:** **** Sep. 10, 2019**

(54) **TOP- AND REAR-MOUNTED STORAGE CONTAINERS AND FRAMED SHIELD**

(71) Applicant: **DEKA Products Limited Partnership**,
Manchester, NH (US)

(72) Inventors: **Dean Kamen**, Bedford, NH (US);
Stewart M. Coulter, Bedford, NH
(US); **Zachary E. Cranfield**,
Manchester, NH (US); **Aidi Xu**,
Manchester, NH (US)

(73) Assignee: **AMOSKEAG ADV LLC**, Manchester,
NH (US)

(**) Term: **15 Years**

(21) Appl. No.: **29/650,236**

(22) Filed: **Jun. 5, 2018**

(51) **LOC (12) Cl.** **12-12**

(52) **U.S. Cl.**
USPC **D12/129; D12/133**

(58) **Field of Classification Search**
USPC **D12/128-133**
CPC **B62B 7/00-04; B62B 9/00-28**
See application file for complete search history.

(56) **References Cited**

U.S. PATENT DOCUMENTS

D388,027 S * 12/1997 Polak D12/129
D388,368 S * 12/1997 Polak D12/129

D408,767 S * 4/1999 Bar D12/133
D424,483 S * 5/2000 Tripodi D12/129
D470,084 S * 2/2003 Schlough D12/129
D636,301 S * 4/2011 Dammacco D12/133
9,254,857 B2 * 2/2016 Fiebelkorn B62B 5/0093
D791,649 S * 7/2017 Zhou D12/129
D793,914 S * 8/2017 Eriksson D12/129
D827,939 S * 9/2018 Jakubowski D30/109
2008/0042379 A1 * 2/2008 Amran A45F 4/02
280/30
2017/0080967 A1 * 3/2017 Atkins B62B 9/142
2018/0146757 A1 * 5/2018 Singh Johar A45C 13/262

* cited by examiner

Primary Examiner — Charles D Hanson

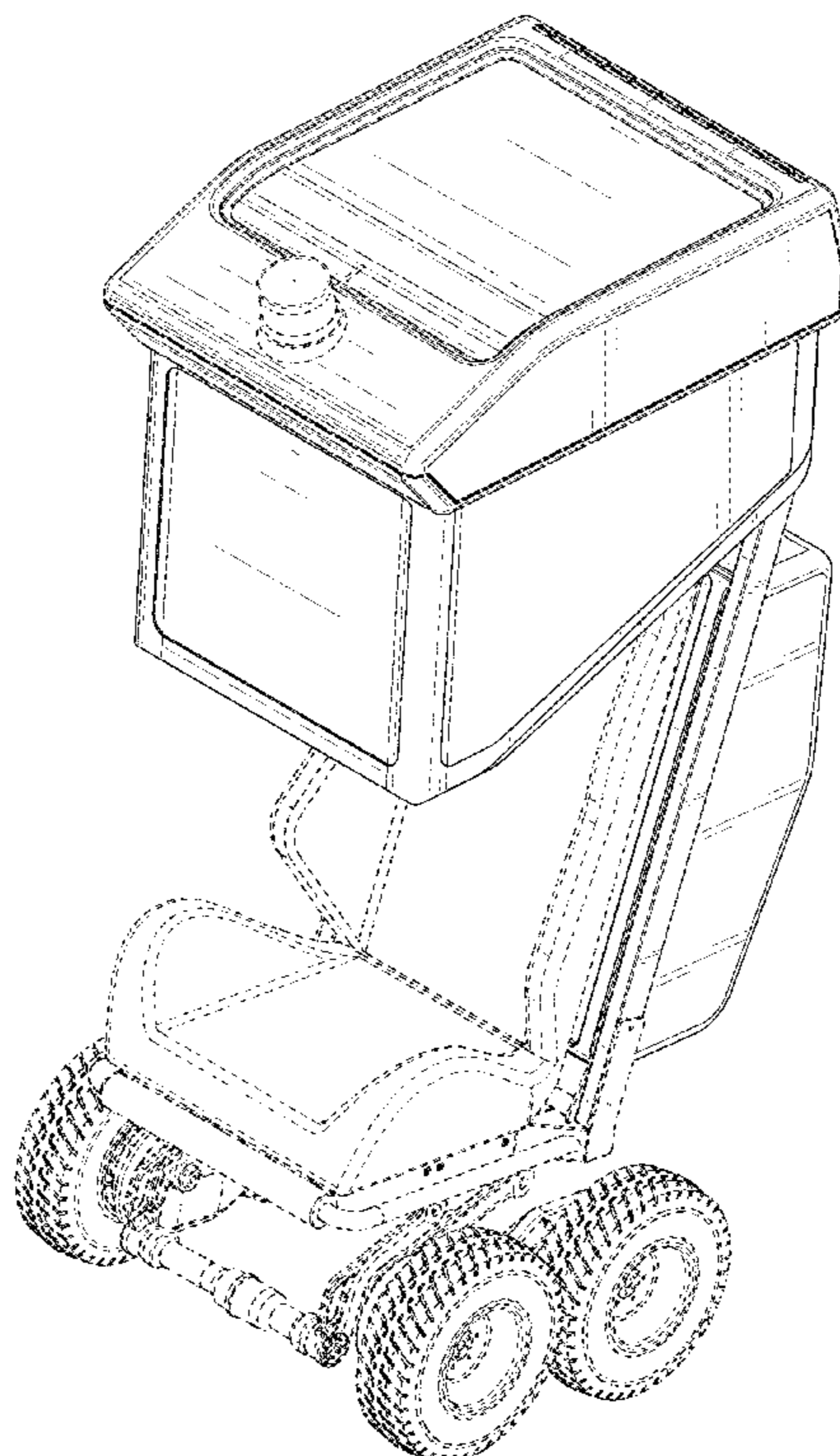
(57) **CLAIM**

The ornamental design of a top- and rear-mounted storage containers and framed shield, as shown and described.

DESCRIPTION

FIG. 1 is a front, top, left side perspective view of the top- and rear-mounted storage containers and framed shield, showing our new design;
FIG. 2 is a front side elevational view thereof;
FIG. 3 is a rear side elevational view thereof;
FIG. 4 is a right side elevational view thereof;
FIG. 5 is a left side elevational view thereof;
FIG. 6 is a top plan view thereof; and,
FIG. 7 is a bottom plan view thereof.
The features shown in broken lines depict environmental structure only and form no part of the claimed design.

1 Claim, 7 Drawing Sheets



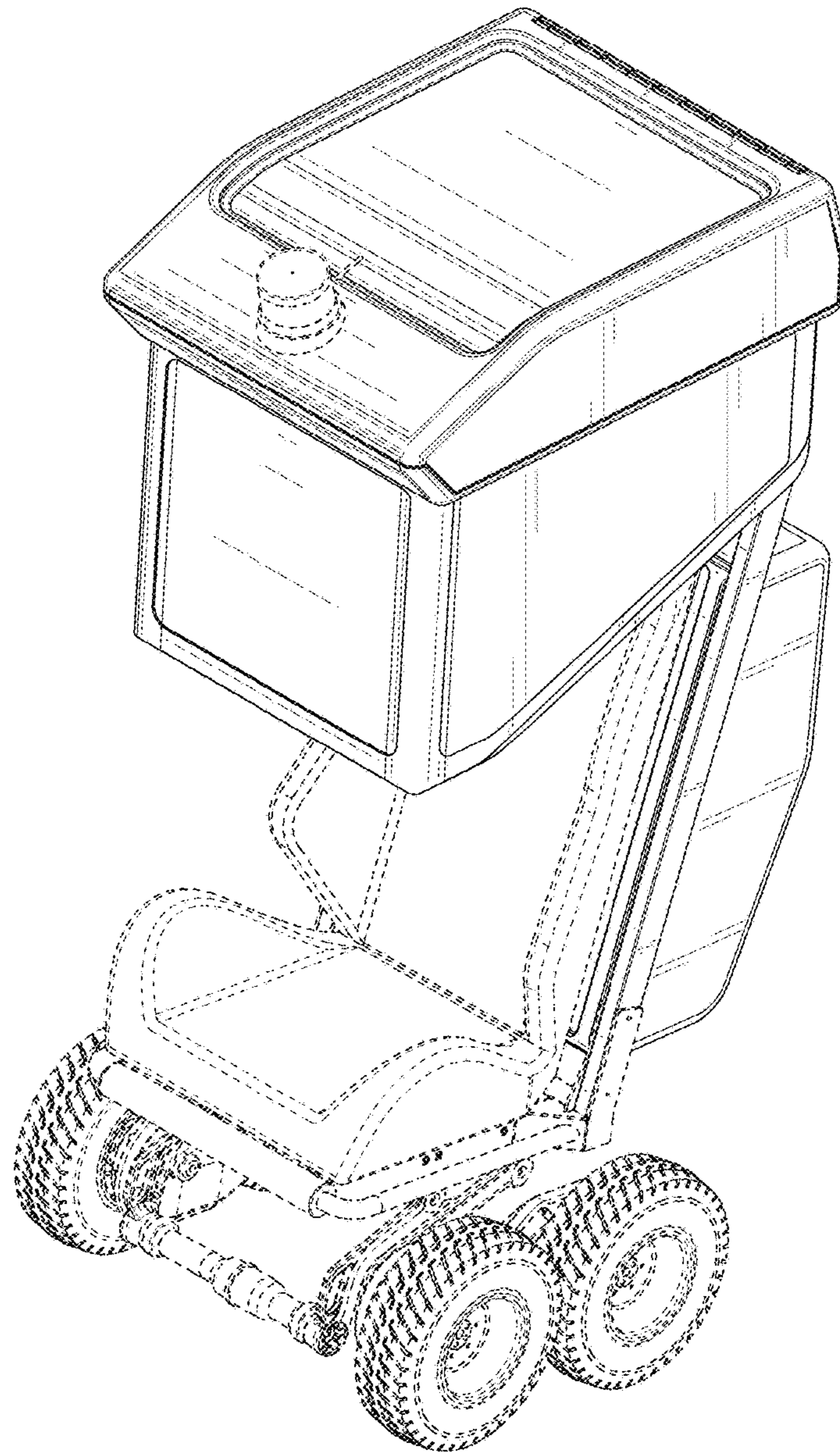


FIG. 1

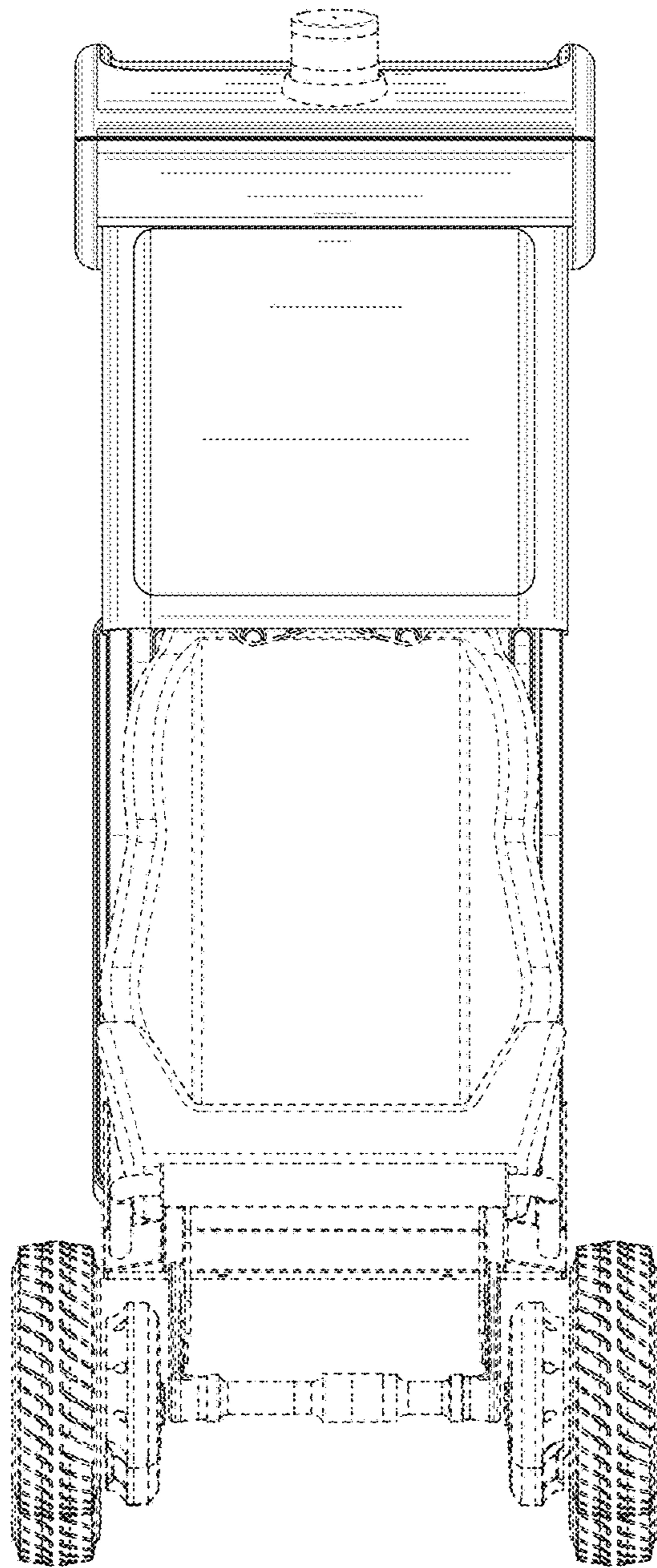


FIG. 2

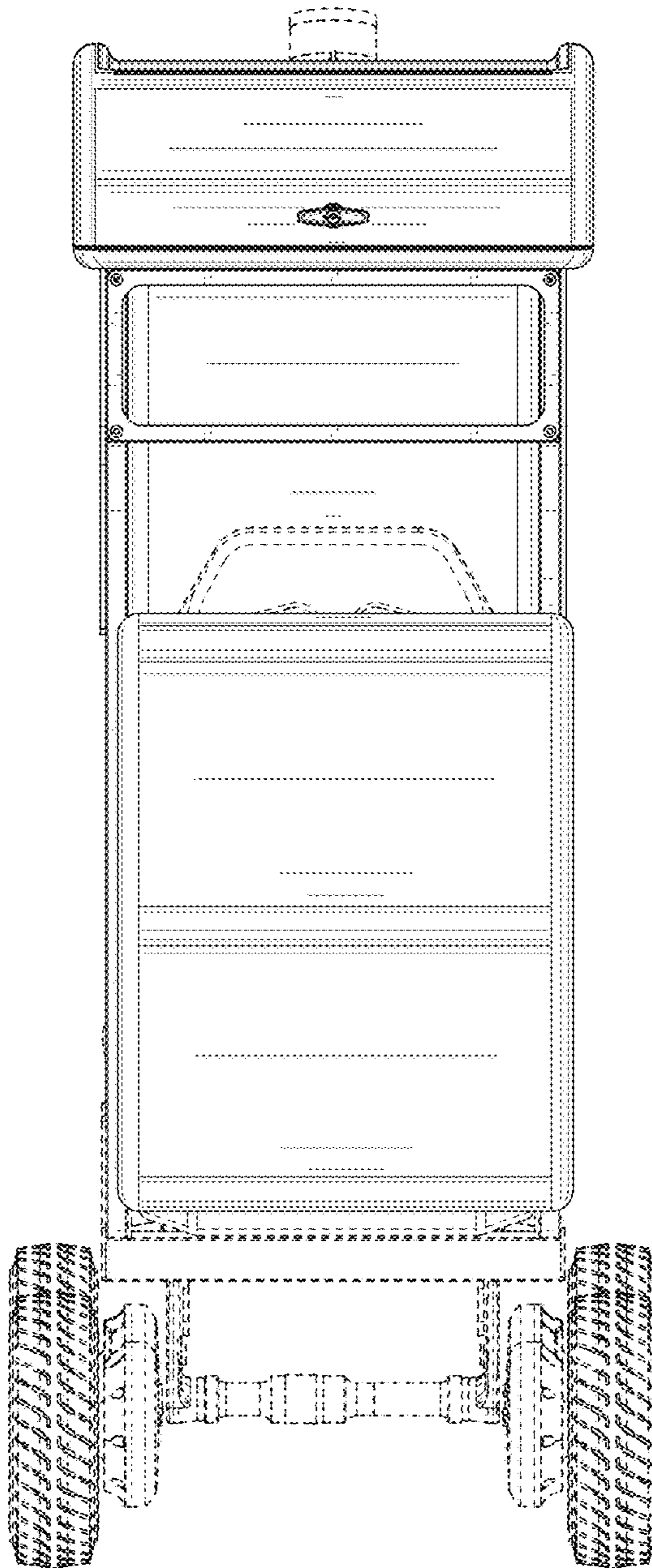


FIG. 3

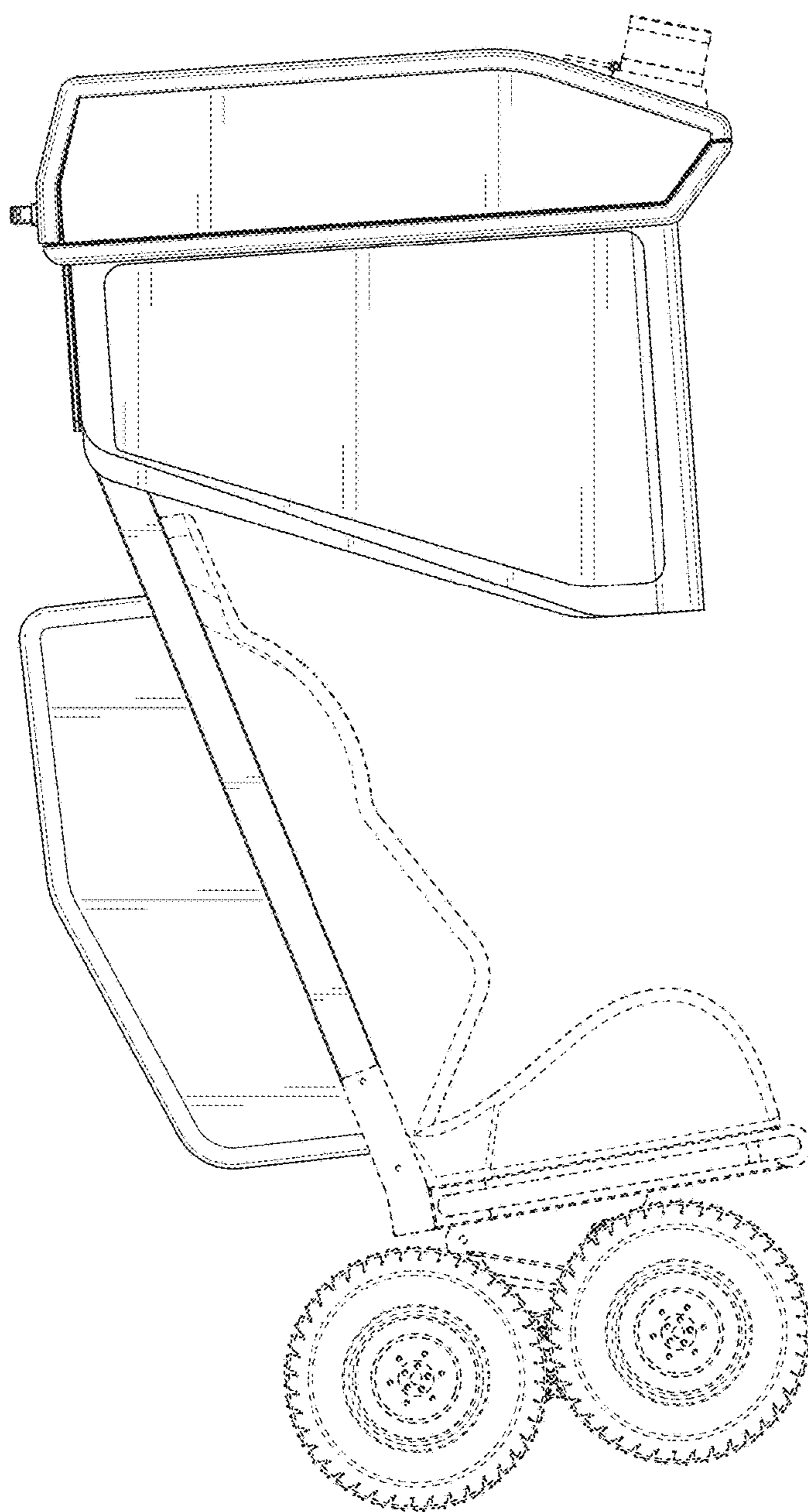


FIG. 4

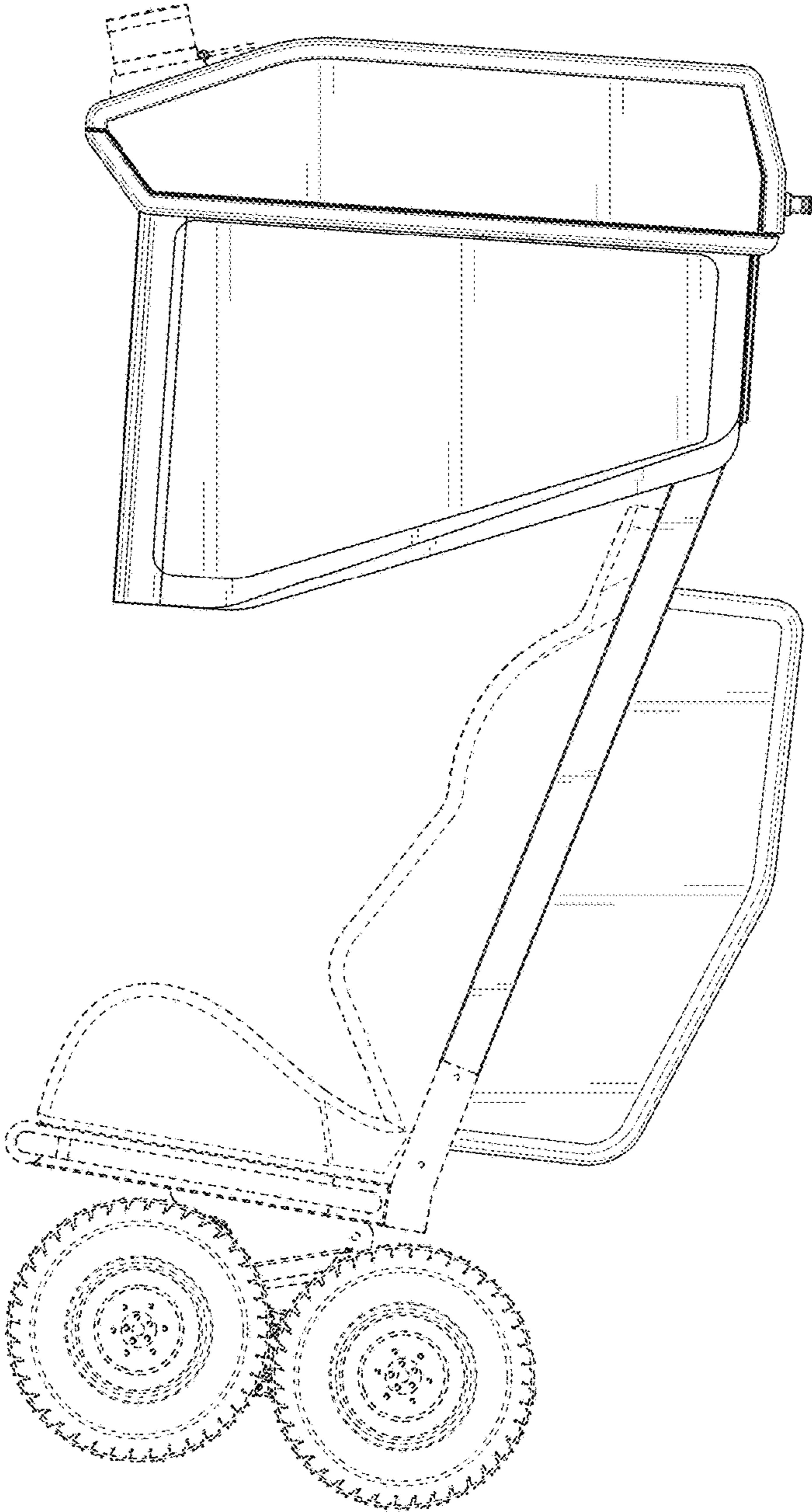


FIG. 5

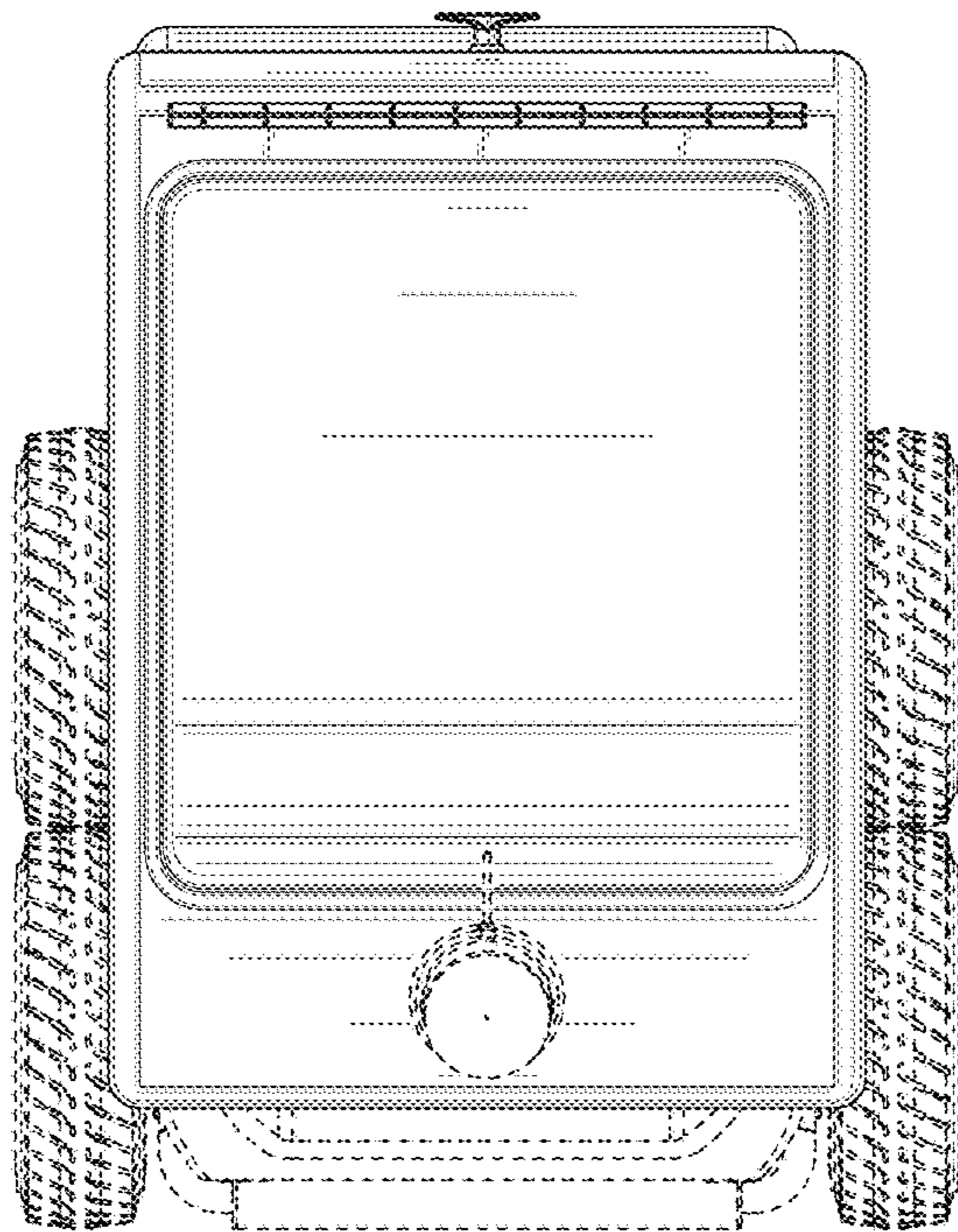


FIG. 6

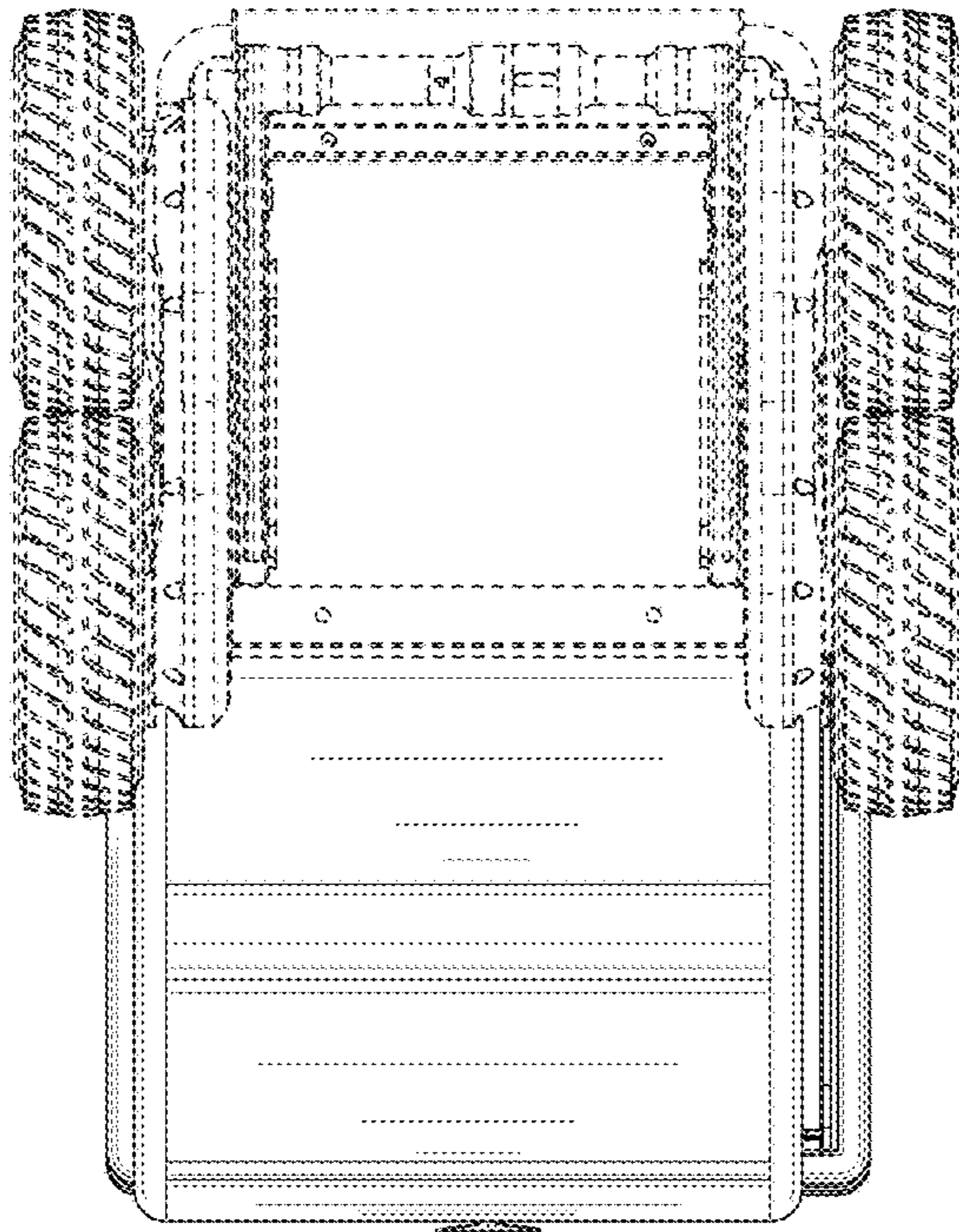


FIG. 7