



US00D859218S

(12) **United States Design Patent** (10) **Patent No.:** **US D859,218 S**
Satou (45) **Date of Patent:** **** Sep. 10, 2019**

(54) **TRUCK CAB BODY**

(71) Applicant: **HINO MOTORS, LTD.**, Tokyo (JP)

(72) Inventor: **Teruo Satou**, Hino (JP)

(73) Assignee: **HINO MOTORS, LTD.**, Hino-Shi, Tokyo (JP)

(**) Term: **15 Years**

(21) Appl. No.: **35/505,591**

(22) Filed: **Mar. 2, 2018**

(80) **Hague Agreement Data**

Int. Filing Date: **Mar. 2, 2018**

Int. Reg. No.: **DM/100111**

Int. Reg. Date: **Mar. 2, 2018**

Int. Reg. Pub. Date: **Sep. 7, 2018**

(51) **LOC (12) Cl.** **12-16**

(52) **U.S. Cl.**

USPC **D12/96; D12/93**

(58) **Field of Classification Search**

USPC **D12/90, 91, 92, 93, 96, 196**

CPC .. **B62D 25/02; B62D 25/04; B62J 5/00; B62J 5/02; B62J 5/04; B62J 5/10**

See application file for complete search history.

(56) **References Cited**

U.S. PATENT DOCUMENTS

D394,026 S * 5/1998 Hellhake D12/96

D489,649 S * 5/2004 Satou D12/96

D490,749 S * 6/2004 Satou D12/96
D589,846 S * 4/2009 Tanaka D12/96
D711,786 S * 8/2014 Brzustowicz D12/96
D803,101 S * 11/2017 Ito D12/93
D826,096 S * 8/2018 Ito D12/93
D826,097 S * 8/2018 Ito D12/93
D826,785 S * 8/2018 Ito D12/93
D828,226 S * 9/2018 Cotner D12/96

* cited by examiner

Primary Examiner — George D. Kirschbaum

Assistant Examiner — Joseph J Kukella

(74) *Attorney, Agent, or Firm* — Leydig Voit & Mayer

(57) **CLAIM**

The ornamental design for a truck cab body, as shown and described.

DESCRIPTION

1. Truck cab body

1.1 : Front

1.2 : Rear view

1.3 : Top plan view

1.4 : Bottom

1.5 : Left side view

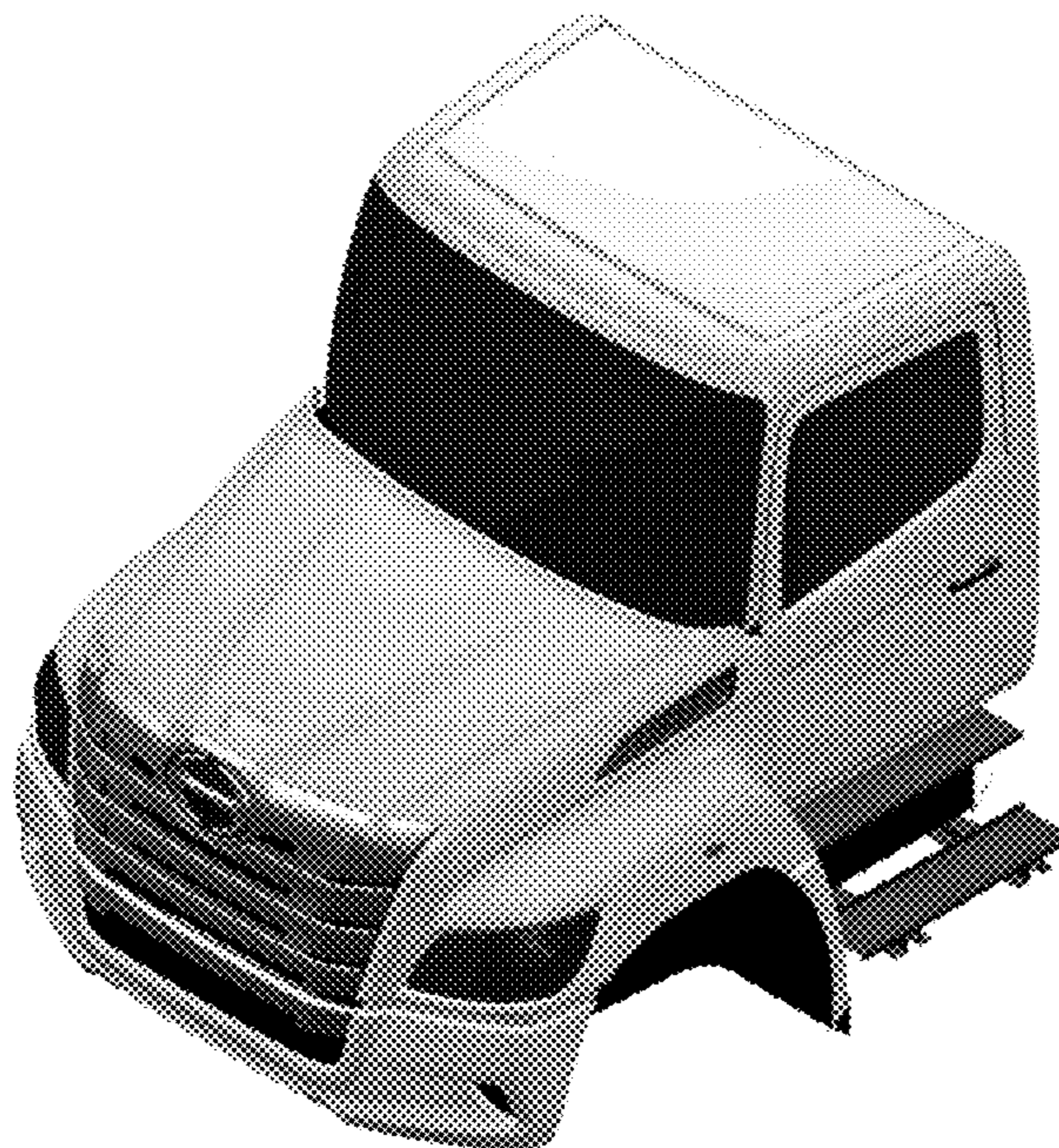
1.6 : Right side view

1.7 : Front perspective view

1.8 : Rear perspective view

Windows and front lamps of the present article are transparent; winker lamps of the present article are semi-transparent.

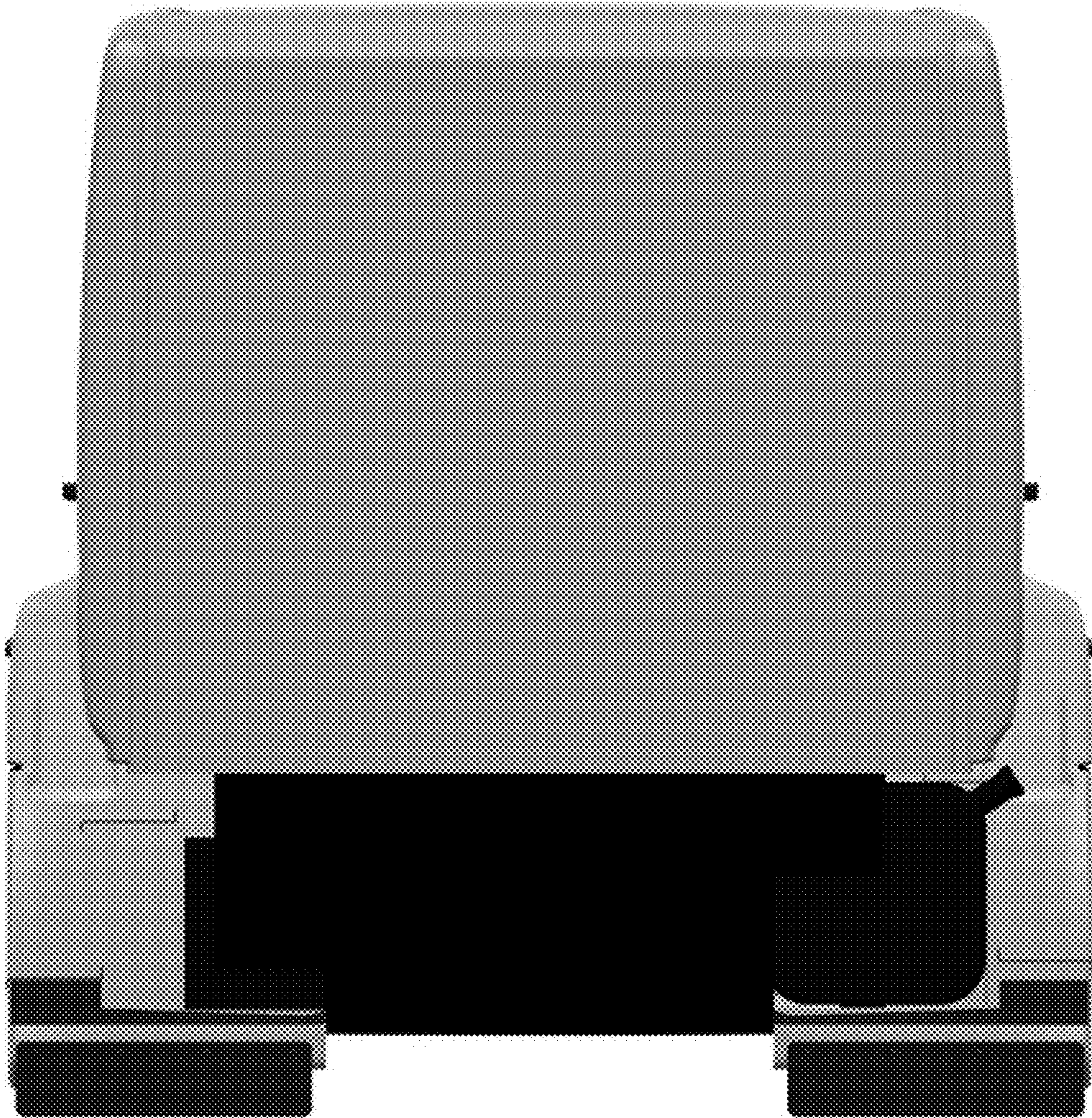
1 Claim, 8 Drawing Sheets



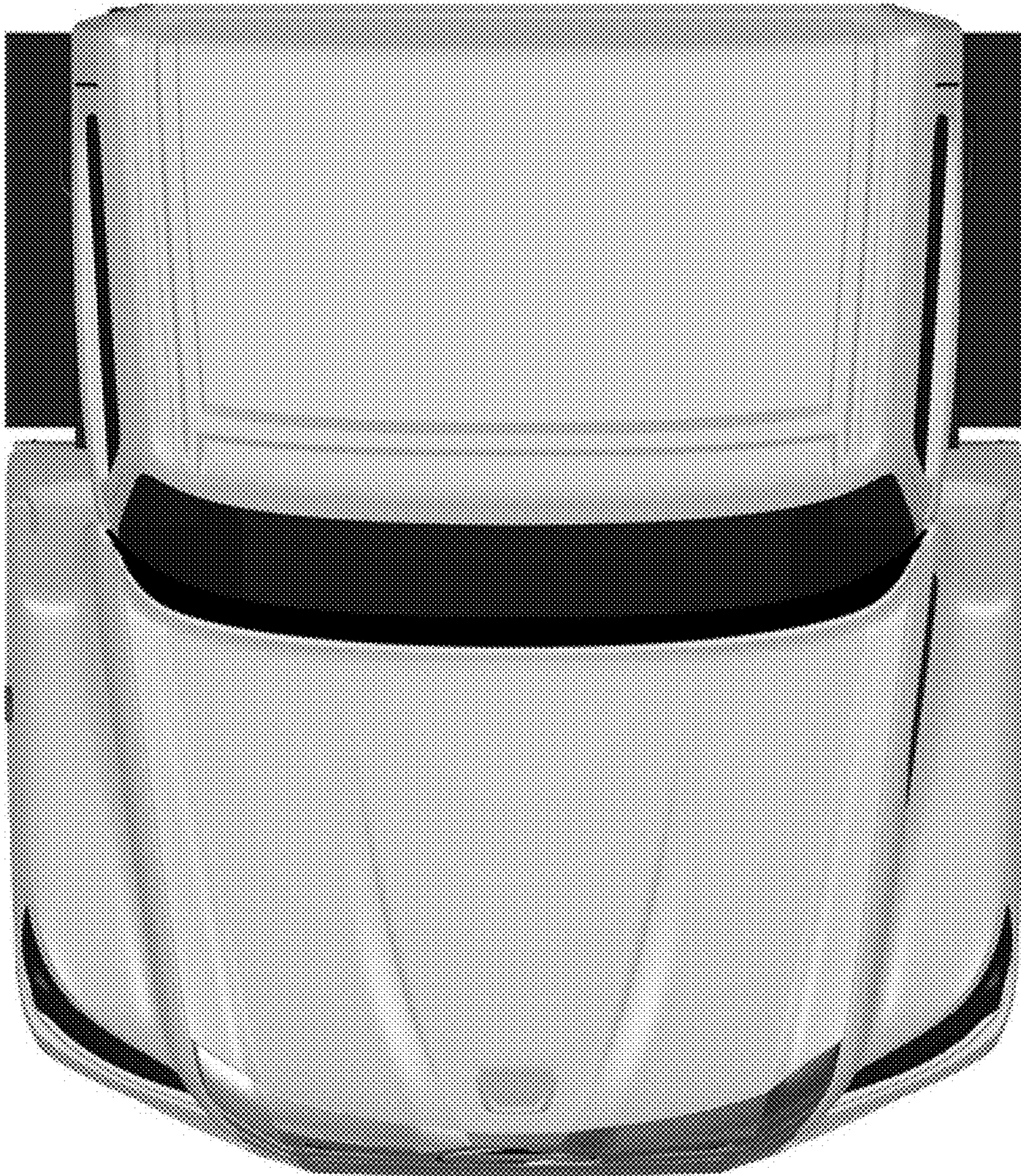
1.1



1.2



1.3



1.4



1.5



1.6



1.7



1.8

