



US00D859217S

(12) **United States Design Patent**  
**Von Holzhausen et al.**

(10) **Patent No.:** **US D859,217 S**

(45) **Date of Patent:** **\*\* Sep. 10, 2019**

- (54) **SEMI-TRUCK CAB**
- (71) Applicant: **Tesla, Inc.**, Palo Alto, CA (US)
- (72) Inventors: **Franz Von Holzhausen**, Malibu, CA (US); **David Tadashi Imai**, Los Angeles, CA (US); **Randy Rodriguez**, Torrance, CA (US)
- (73) Assignee: **Tesla, Inc.**, Palo Alto, CA (US)
- (\*\*) Term: **15 Years**
- (21) Appl. No.: **29/657,061**
- (22) Filed: **Jul. 18, 2018**

**Related U.S. Application Data**

- (63) Continuation of application No. 29/619,040, filed on Sep. 26, 2017, now Pat. No. Des. 825,391.
- (51) **LOC (12) Cl.** ..... **12-16**
- (52) **U.S. Cl.**  
USPC ..... **D12/96**
- (58) **Field of Classification Search**  
USPC ..... D12/166, 167, 169, 171, 172, 181, 183, D12/190, 196, 216  
CPC ..... B60R 1/06; B62D 25/10; B62D 25/16; B62D 25/168  
See application file for complete search history.

(56) **References Cited**

**U.S. PATENT DOCUMENTS**

- D291,982 S \* 9/1987 Simons ..... D12/96
- D312,805 S \* 12/1990 Marlowe ..... D12/96
- D313,966 S \* 1/1991 Marlowe ..... D12/181
- 5,499,690 A \* 3/1996 Shearn ..... B60K 11/04  
180/68.4
- 5,576,899 A \* 11/1996 Englander ..... B60R 1/06  
248/475.1
- 5,826,672 A \* 10/1998 Holter ..... B62D 25/10  
180/69.21

- 5,947,520 A \* 9/1999 McHorse ..... B62D 35/001  
280/154
- D424,495 S \* 5/2000 Damon ..... D12/196
- D431,806 S \* 10/2000 Damon ..... D12/196
- 6,230,832 B1 \* 5/2001 von Mayenburg .... B60K 11/08  
180/68.1
- D460,023 S \* 7/2002 Beigel ..... D12/96
- 6,454,035 B1 \* 9/2002 Waskow ..... B62D 33/067  
180/69.21
- 6,644,720 B2 \* 11/2003 Long ..... B62D 25/168  
296/180.4
- D491,851 S \* 6/2004 Perfetti ..... D12/181
- 6,883,860 B1 \* 4/2005 Budge ..... B62D 33/0612  
296/190.02
- D535,597 S \* 1/2007 Herpel ..... D12/181
- 7,195,307 B2 \* 3/2007 Tucker ..... B62D 25/10  
16/225
- D634,244 S \* 3/2011 Aris ..... D12/96
- D650,722 S \* 12/2011 Marchi ..... D12/93
- D651,136 S \* 12/2011 Stimel, Jr. .... D12/96

(Continued)

*Primary Examiner* — Susan Bennett Hattan

*Assistant Examiner* — Suzanne E Tisdell

(74) *Attorney, Agent, or Firm* — Haynes and Boone, LLP

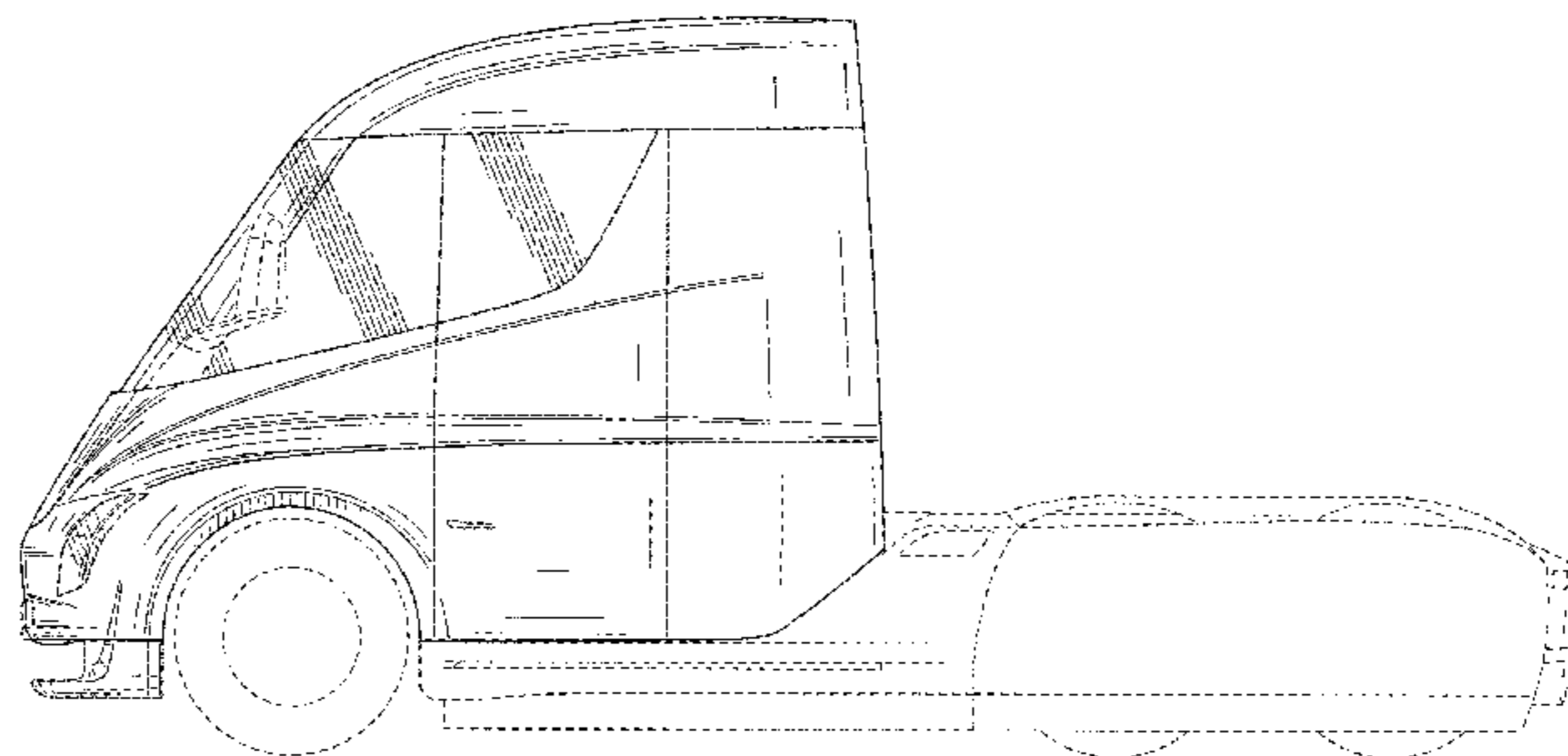
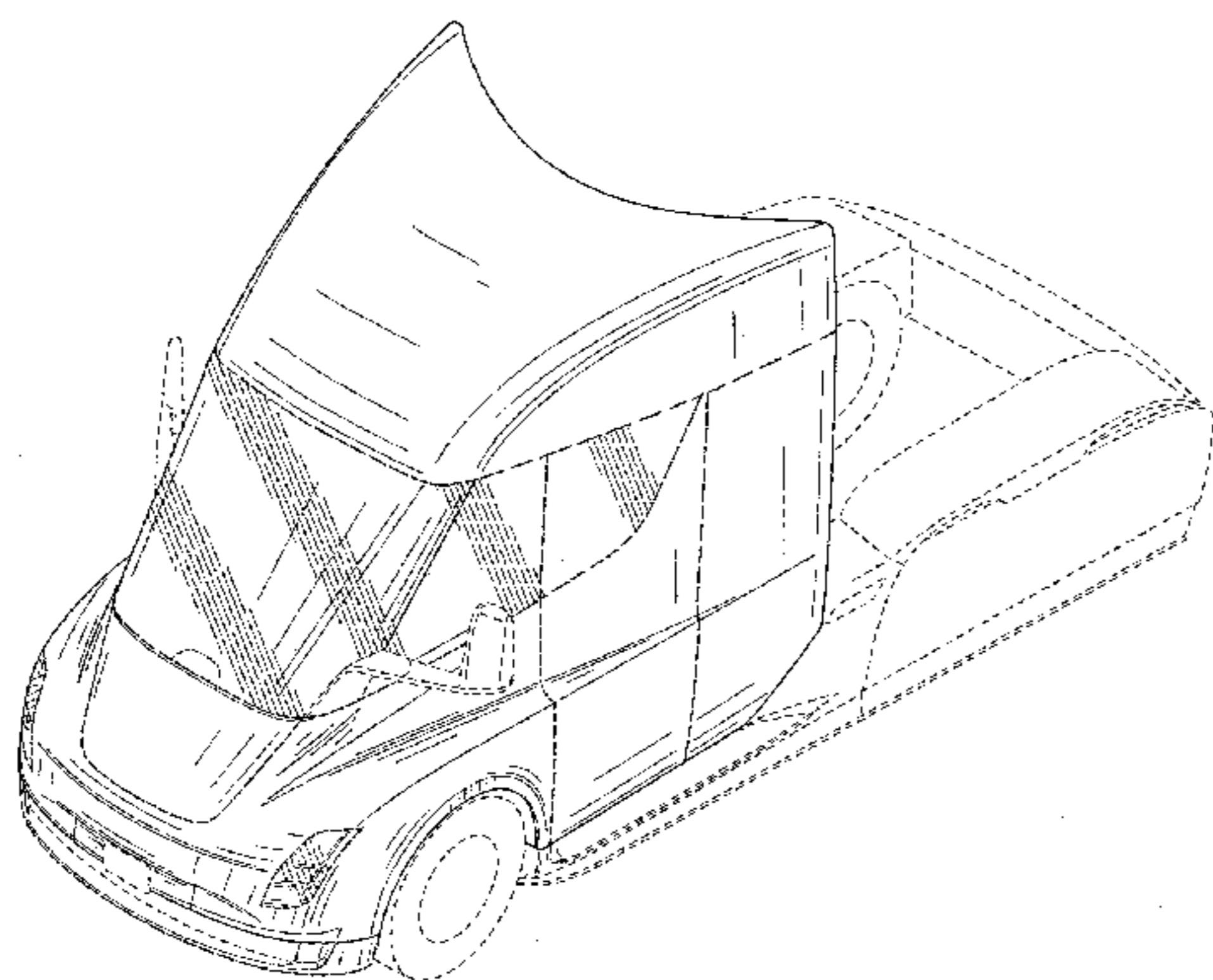
(57) **CLAIM**

The ornamental design for a semi-truck cab, as shown and described.

**DESCRIPTION**

FIG. 1 is a front perspective view of a semi-truck cab.  
 FIG. 2 is a front view of the semi-truck cab of FIG. 1.  
 FIG. 3 is a rear view of the semi-truck cab of FIG. 1.  
 FIG. 4 is a left-side view of the semi-truck cab of FIG. 1.  
 FIG. 5 is a right-side view of the semi-truck cab of FIG. 1; and,  
 FIG. 6 is a top view of the semi-truck cab of FIG. 1.  
 The items shown with broken lines form no part of the claimed design.

**1 Claim, 6 Drawing Sheets**



(56)

References Cited

U.S. PATENT DOCUMENTS

8,226,158 B1 \* 7/2012 Jackson ..... B62D 25/168  
 280/160  
 8,528,936 B2 \* 9/2013 Johnson ..... B62D 25/18  
 180/271  
 D707,608 S \* 6/2014 Smith ..... D12/181  
 8,800,703 B2 \* 8/2014 Miller ..... B62D 25/10  
 180/69.2  
 8,960,769 B2 \* 2/2015 He ..... B62D 35/001  
 296/180.2  
 D758,253 S \* 6/2016 Brzustowicz ..... D12/96  
 D760,633 S \* 7/2016 Peltola ..... D12/181  
 D772,127 S \* 11/2016 Heilaneh ..... D12/181  
 D773,360 S \* 12/2016 Heilaneh ..... D12/181  
 D782,381 S \* 3/2017 Conway ..... D12/196  
 D782,947 S \* 4/2017 Sausaman ..... D12/181  
 9,643,658 B2 \* 5/2017 Jaynes ..... B62D 25/168  
 D788,667 S \* 6/2017 Dempsey ..... D12/183

D799,380 S \* 10/2017 Cosme ..... D12/96  
 D805,981 S \* 12/2017 Conway ..... D12/196  
 D809,985 S \* 2/2018 Milton ..... D12/196  
 D812,535 S \* 3/2018 Milton ..... D12/181  
 D813,772 S \* 3/2018 Anderson ..... D12/196  
 D814,357 S 4/2018 Milton et al.  
 D814,376 S \* 4/2018 Anderson ..... D12/196  
 D816,004 S \* 4/2018 Milton ..... D12/196  
 D824,289 S \* 7/2018 Lokers ..... D12/96  
 D825,391 S \* 8/2018 Von Holzhausen ..... D12/96  
 D825,392 S \* 8/2018 Von Holzhausen ..... D12/96  
 D826,816 S \* 8/2018 Lokers ..... D12/196  
 D827,498 S \* 9/2018 Anderson ..... D12/96  
 D828,226 S \* 9/2018 Cotner ..... D12/96  
 2003/0072094 A1 \* 4/2003 Englander ..... B60R 1/0605  
 359/871  
 2003/0146648 A1 \* 8/2003 Lustig ..... B62D 25/10  
 296/190.11  
 2005/0028722 A1 \* 2/2005 Arntz ..... G09F 17/00  
 116/173

\* cited by examiner

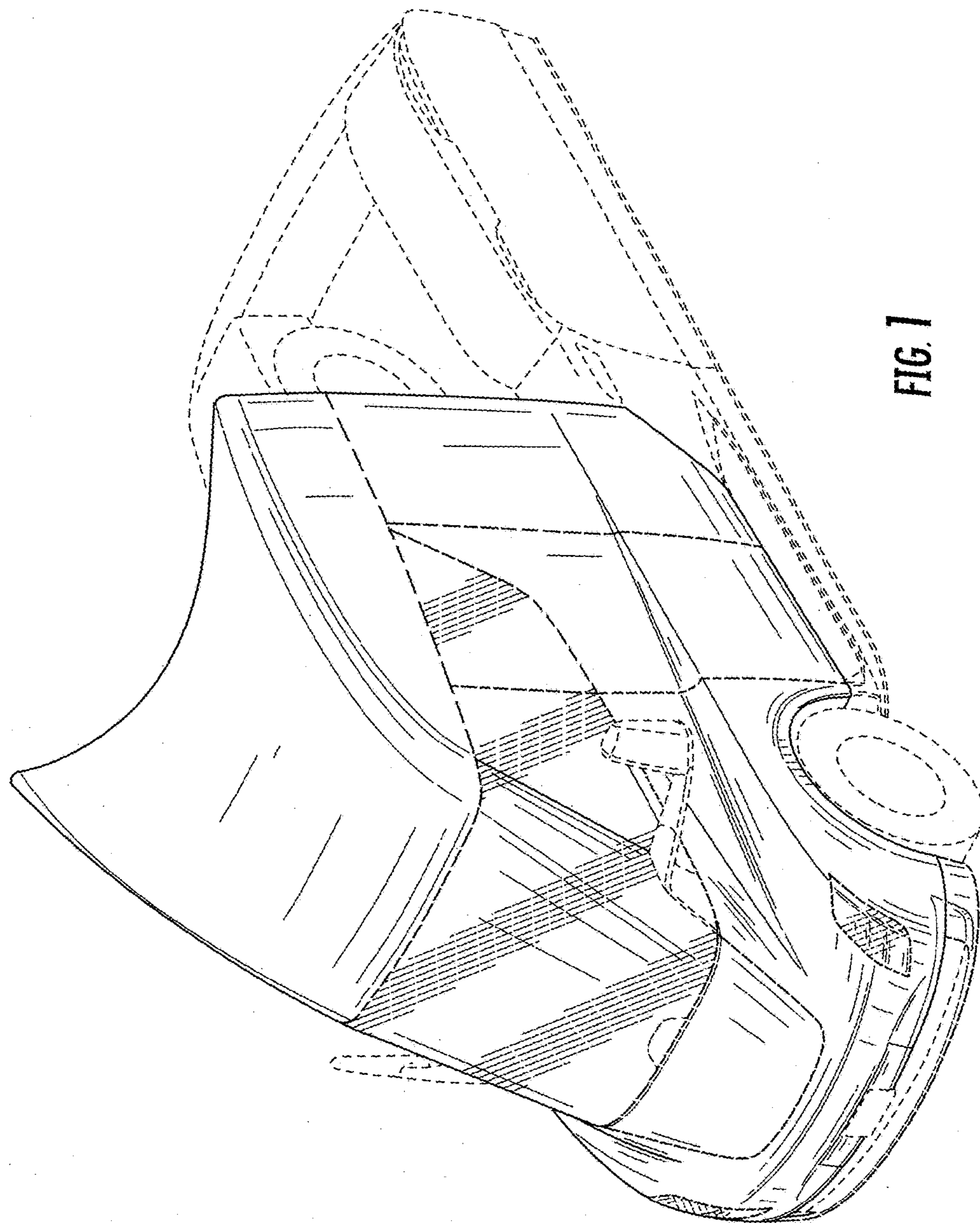


FIG. 1



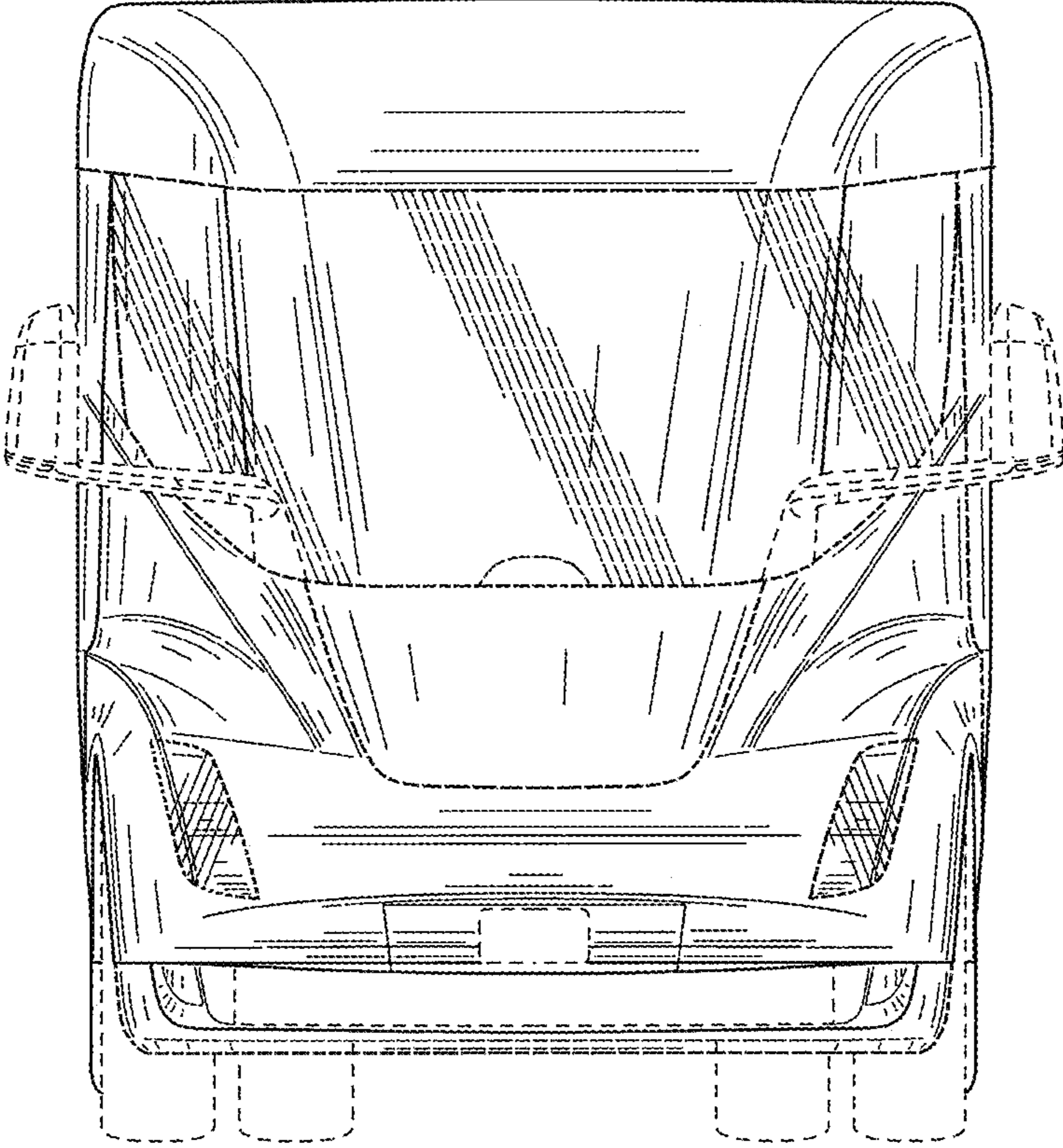


FIG. 2

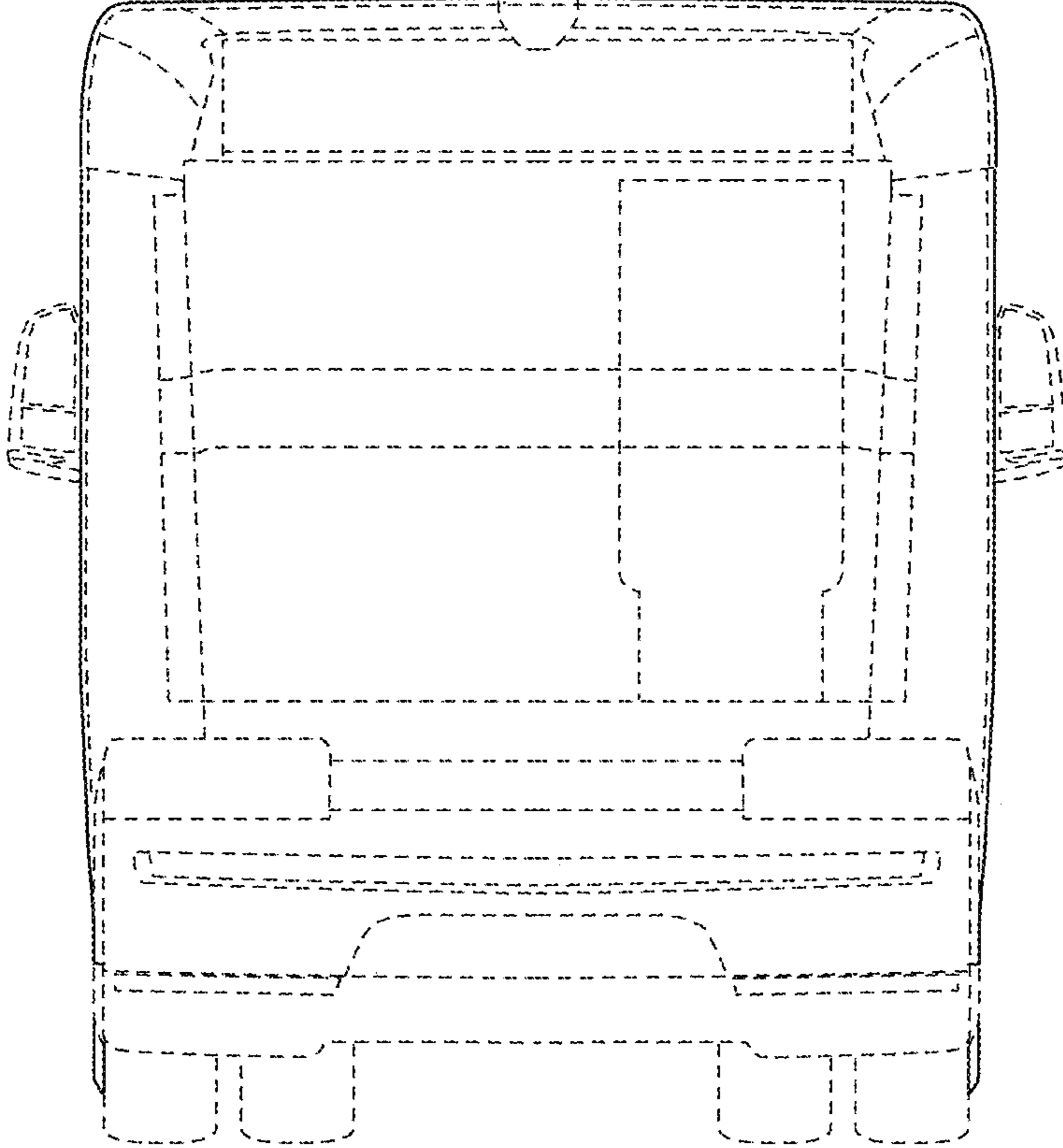


FIG. 3

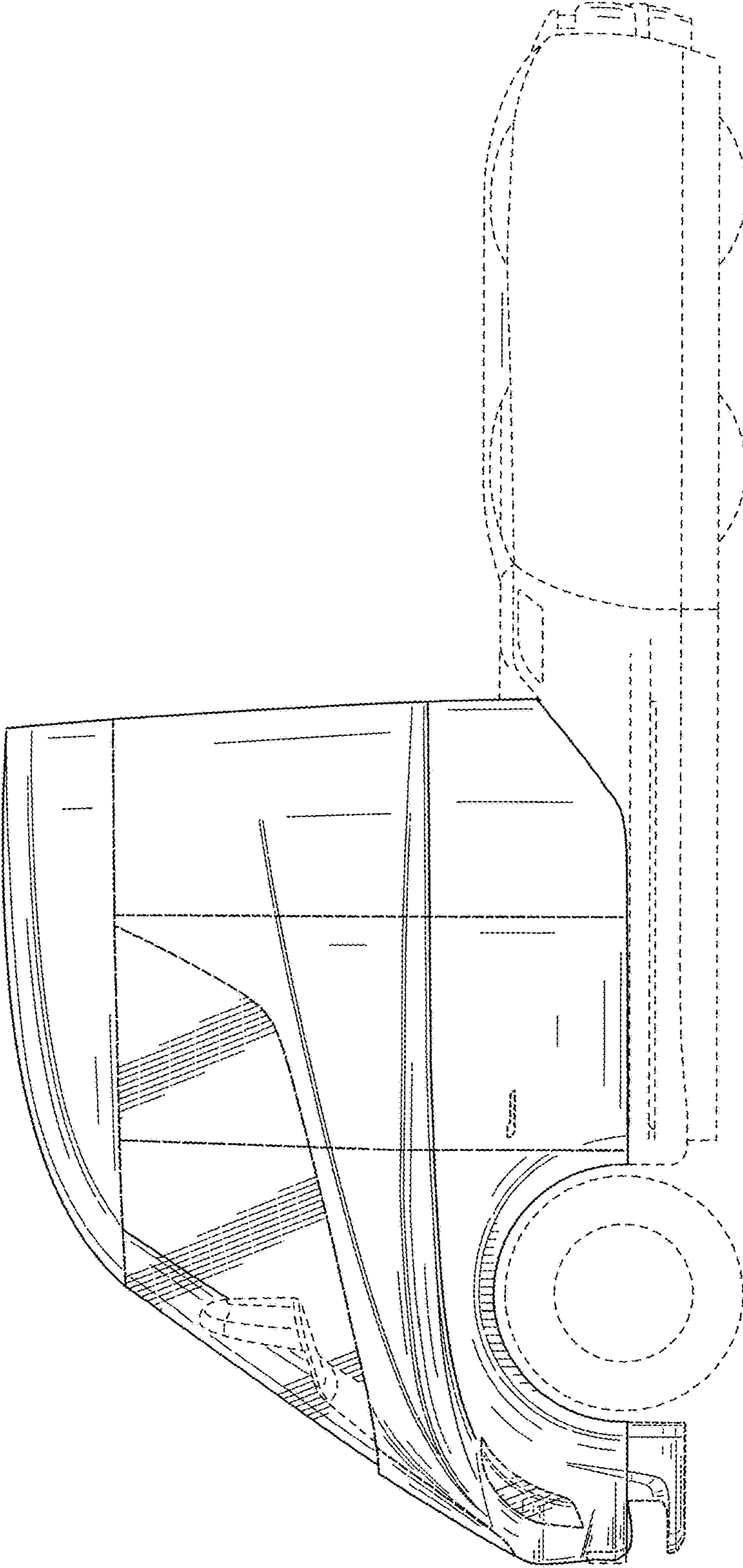


FIG. 4

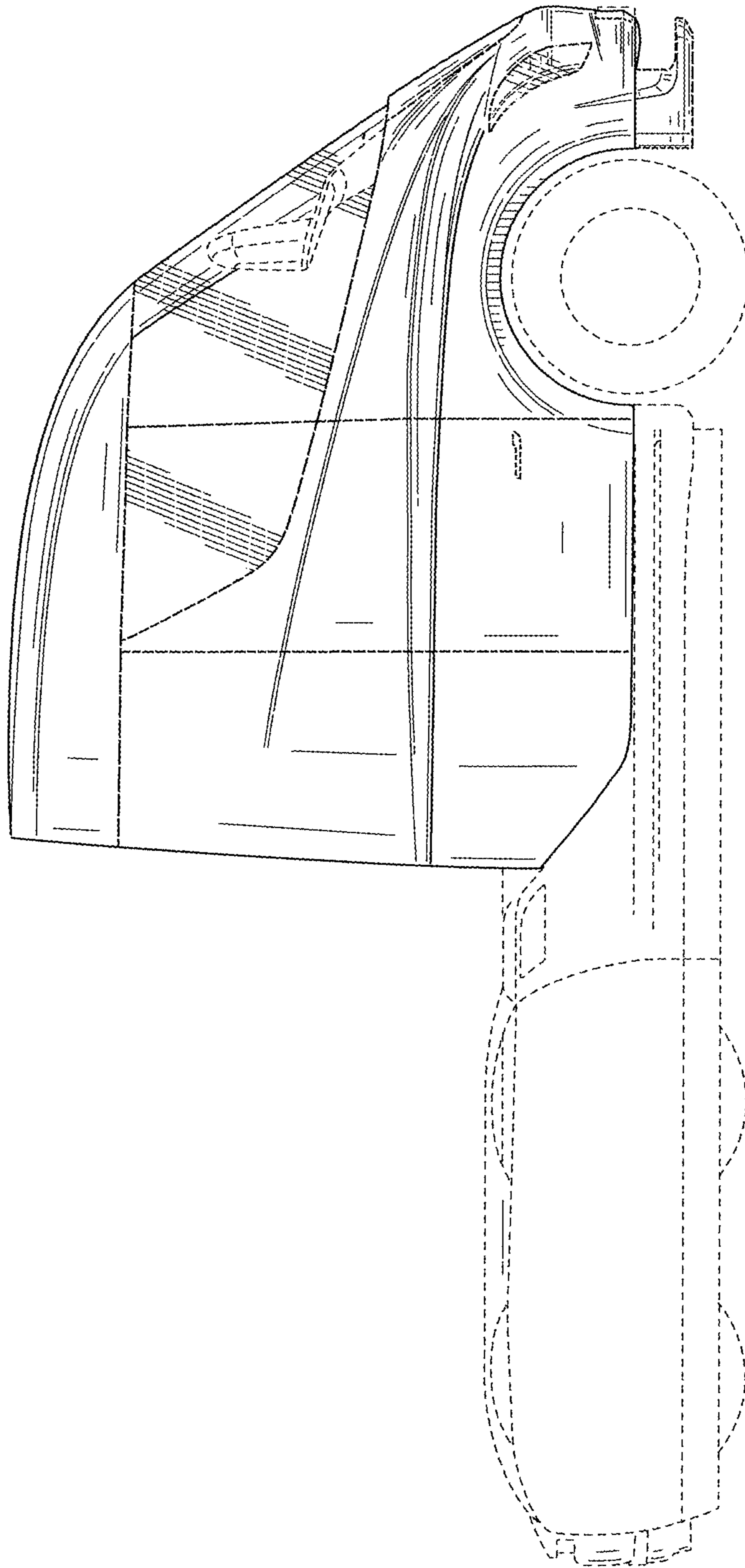


FIG. 5

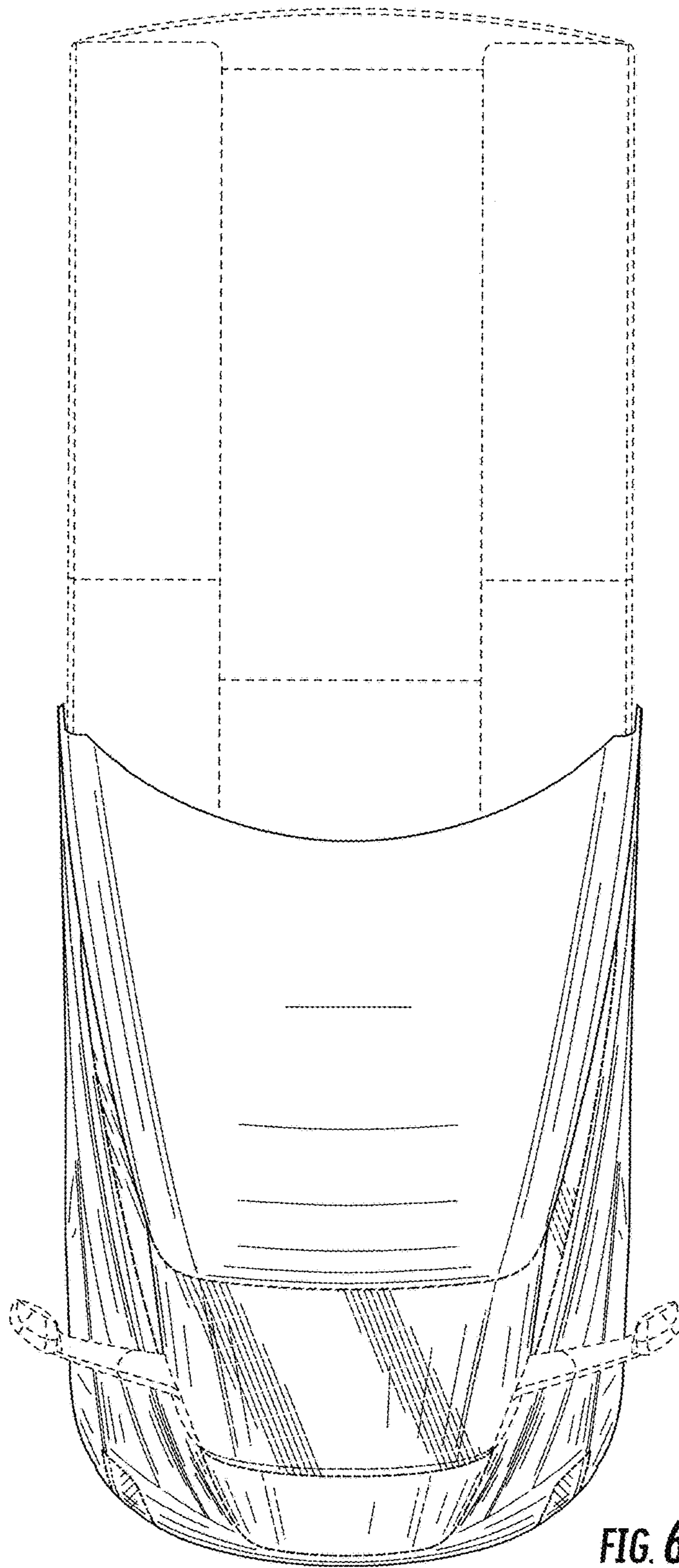


FIG. 6