



US00D859215S

(12) **United States Design Patent** (10) **Patent No.:** **US D859,215 S**
Gregory et al. (45) **Date of Patent:** **** Sep. 10, 2019**

(54) **AUTOMOBILE**
 (71) Applicant: **Bentley Motors Limited**, Crewe (GB)
 (72) Inventors: **John Paul Gregory**, Crewe (GB);
Stefan Hans Sielaff, Munich (DE)
 (73) Assignee: **Bentley Motors Limited**, Crewe,
 Cheshire (GB)

(**) Term: **15 Years**
 (21) Appl. No.: **29/638,306**
 (22) Filed: **Feb. 26, 2018**

(30) **Foreign Application Priority Data**
 Aug. 25, 2017 (EM) 004164598
 (51) **LOC (12) Cl.** **12-08**
 (52) **U.S. Cl.**
 USPC **D12/92**
 (58) **Field of Classification Search**
 USPC D12/86, 90-92; D21/424, 433, 434, 533;
 296/181.1-181.5, 183.1
 CPC B62D 25/00; B62D 25/06; B62D 33/00;
 B62D 35/00
 See application file for complete search history.

(56) **References Cited**
 U.S. PATENT DOCUMENTS
 D558,642 S * 1/2008 van Braeckel D12/92
 D574,752 S * 8/2008 van Braeckel D12/92

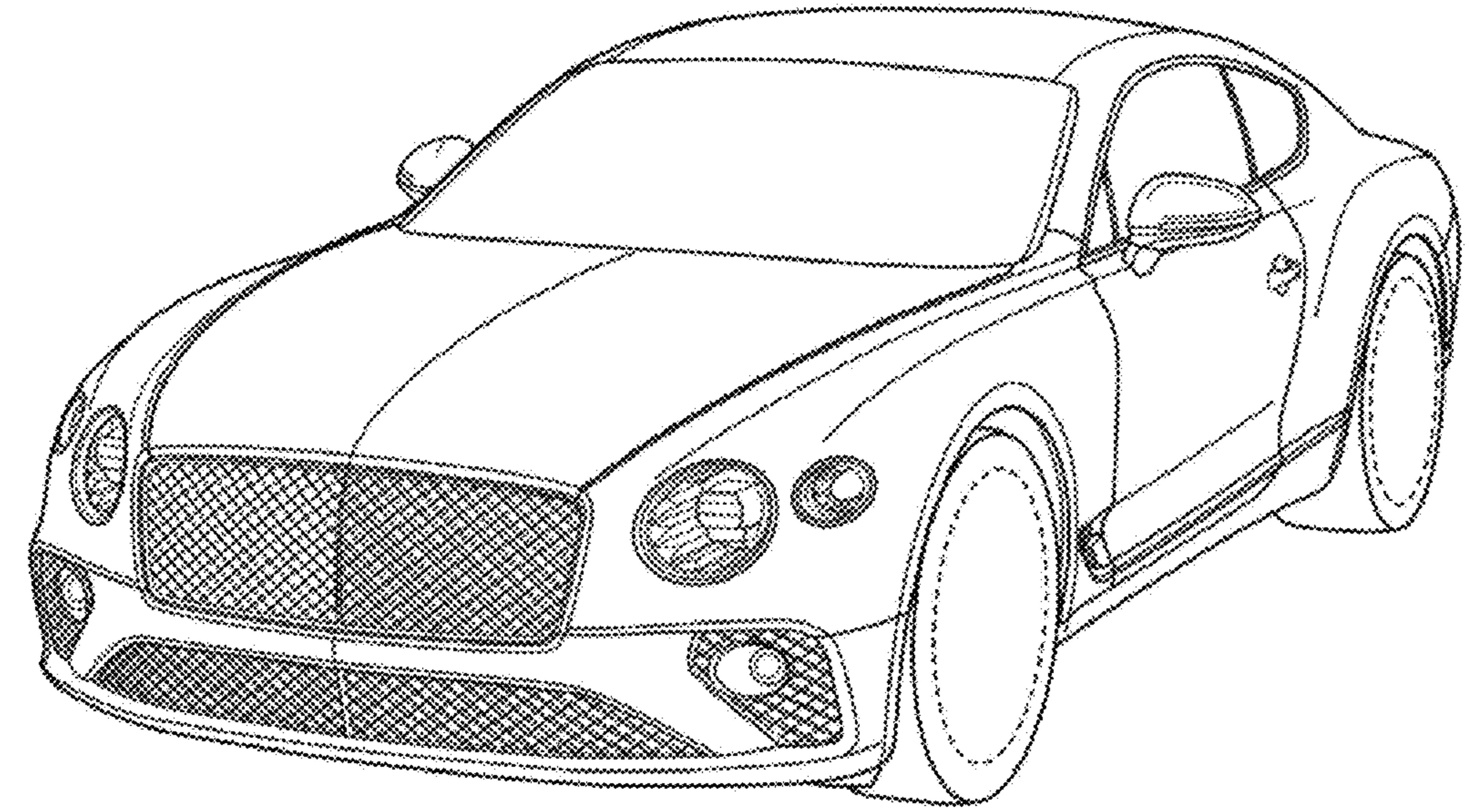
D658,545 S * 5/2012 Van Braeckel D12/91
 D662,865 S * 7/2012 Van Braeckel D12/164
 D753,031 S * 4/2016 van Braeckel D12/164
 D758,248 S * 6/2016 Donckerwolke D12/88
 D782,367 S * 3/2017 Donckerwolke D12/92
 D811,939 S * 3/2018 Lee D12/91
 D824,295 S * 7/2018 Donckerwolke D12/164
 D825,386 S * 8/2018 Donckerwolke D12/92
 D835,004 S * 12/2018 Donckerwolke D12/92

* cited by examiner
 Primary Examiner — Melody N Brown
 (74) Attorney, Agent, or Firm — Schwabe Williamson &
 Wyatt, P.C.

(57) **CLAIM**
 We claim the ornamental design for an automobile, as shown
 and described.

DESCRIPTION
 FIG. 1 is a front perspective view of an automobile, showing
 our design;
 FIG. 2 is a rear view thereof;
 FIG. 3 is a rear perspective view thereof;
 FIG. 4 is a back perspective view thereof;
 FIG. 5 is a left side view thereof;
 FIG. 6 is a right side view thereof; and,
 FIG. 7 is a top view thereof.
 The broken lines shown throughout the drawing views are
 for environmental and illustrative purposes only and form no
 part of the claimed design.

1 Claim, 6 Drawing Sheets



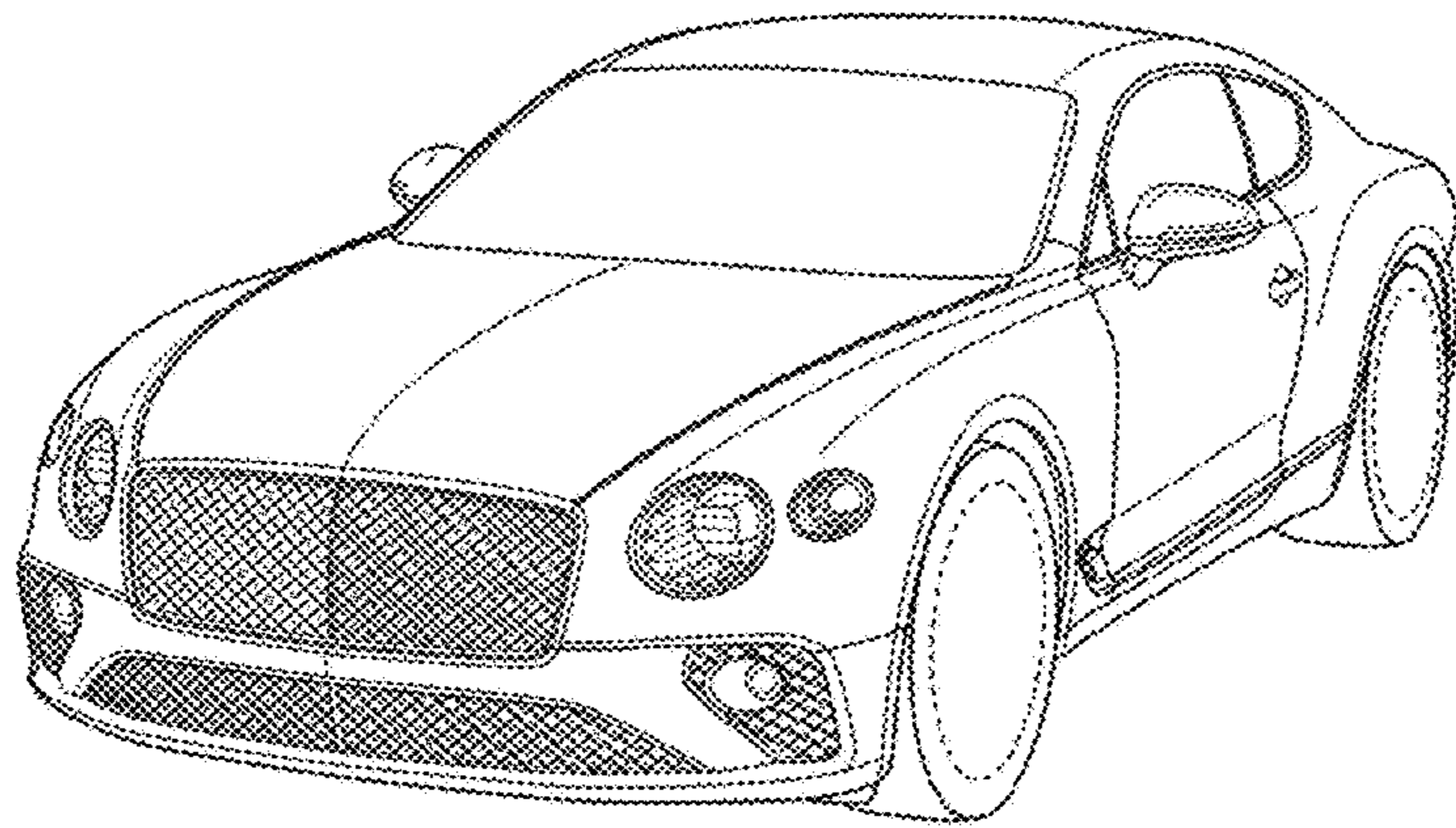


FIG. 1

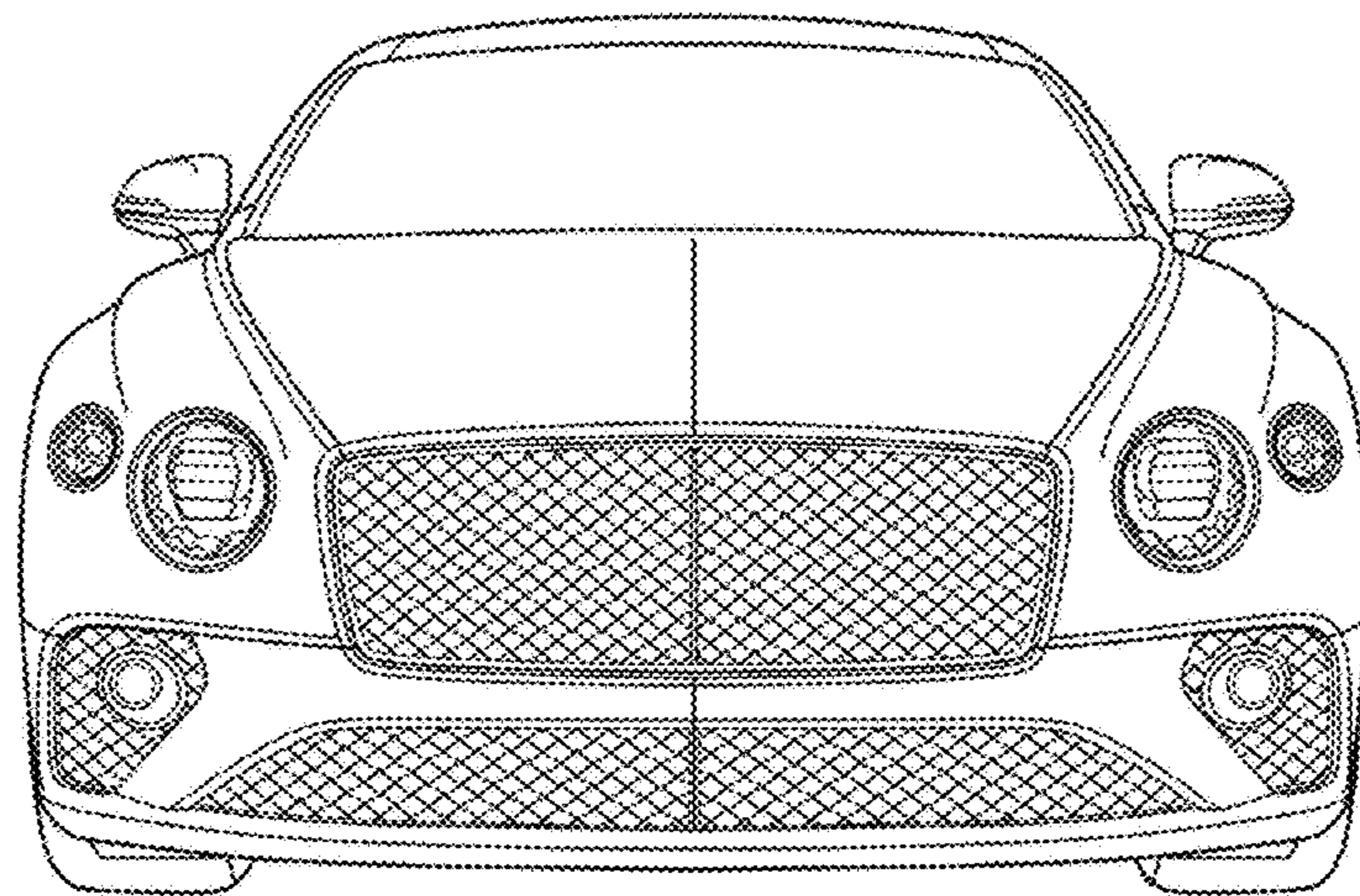


FIG. 2

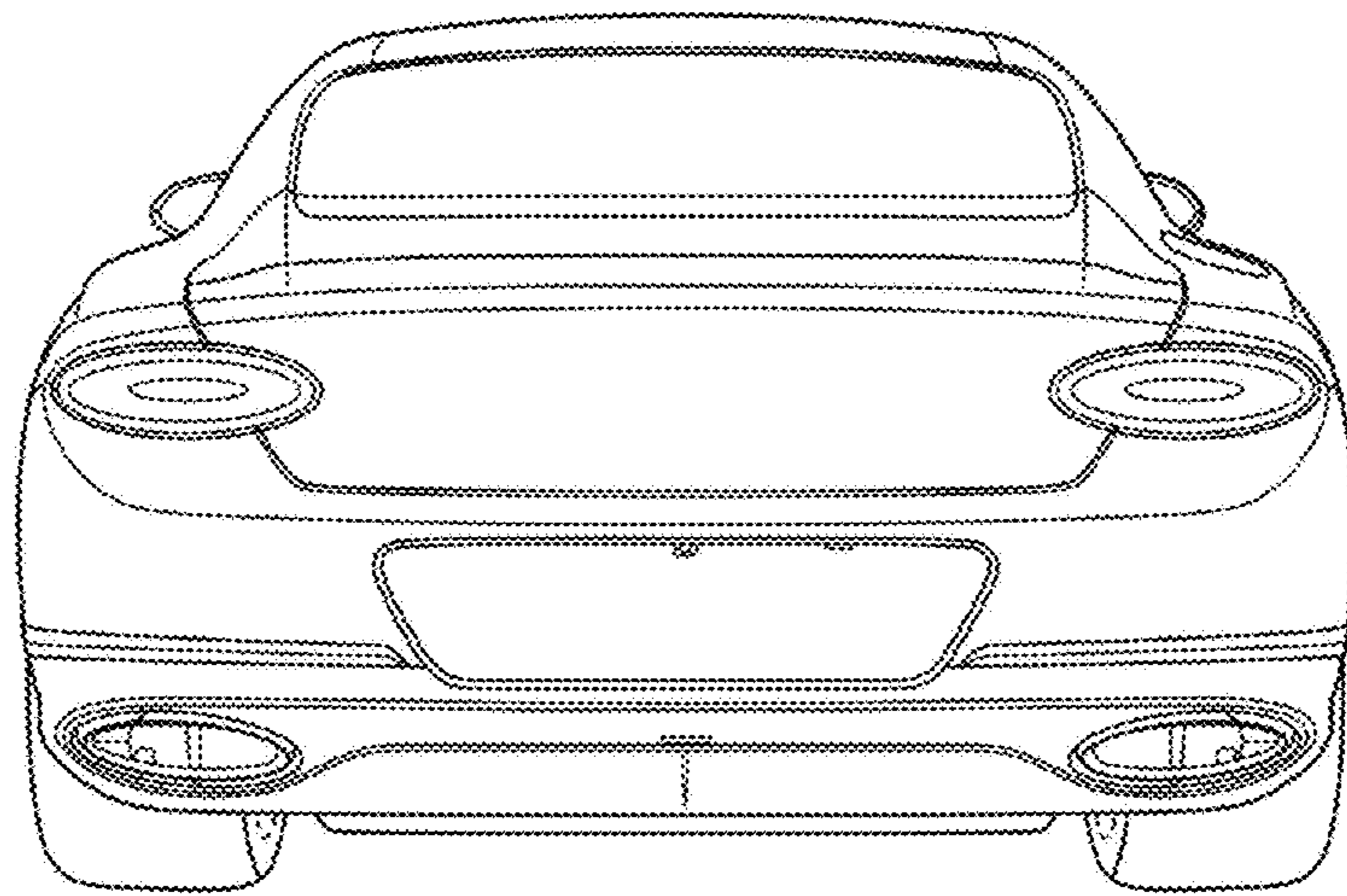


FIG. 3

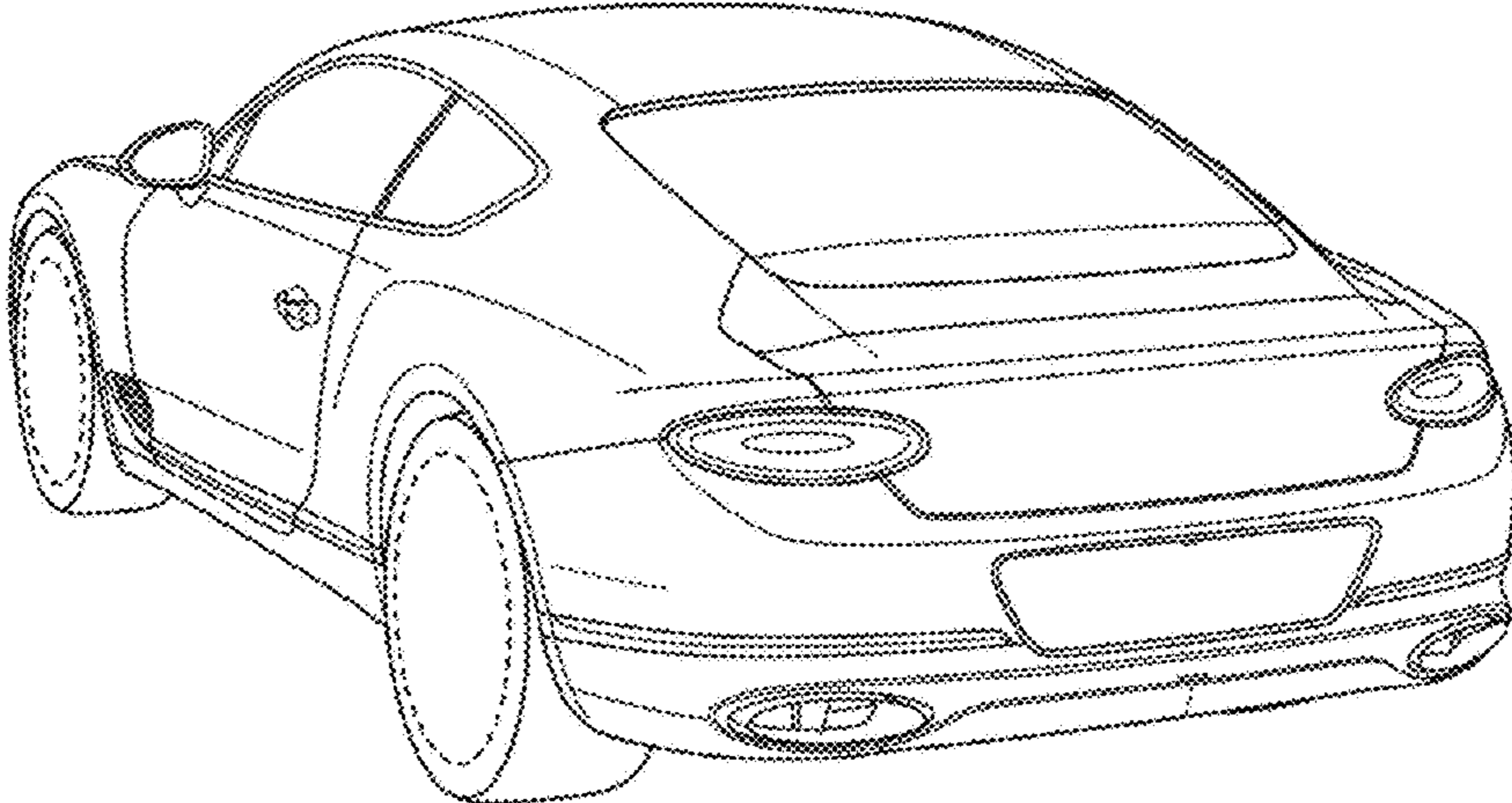


FIG. 4

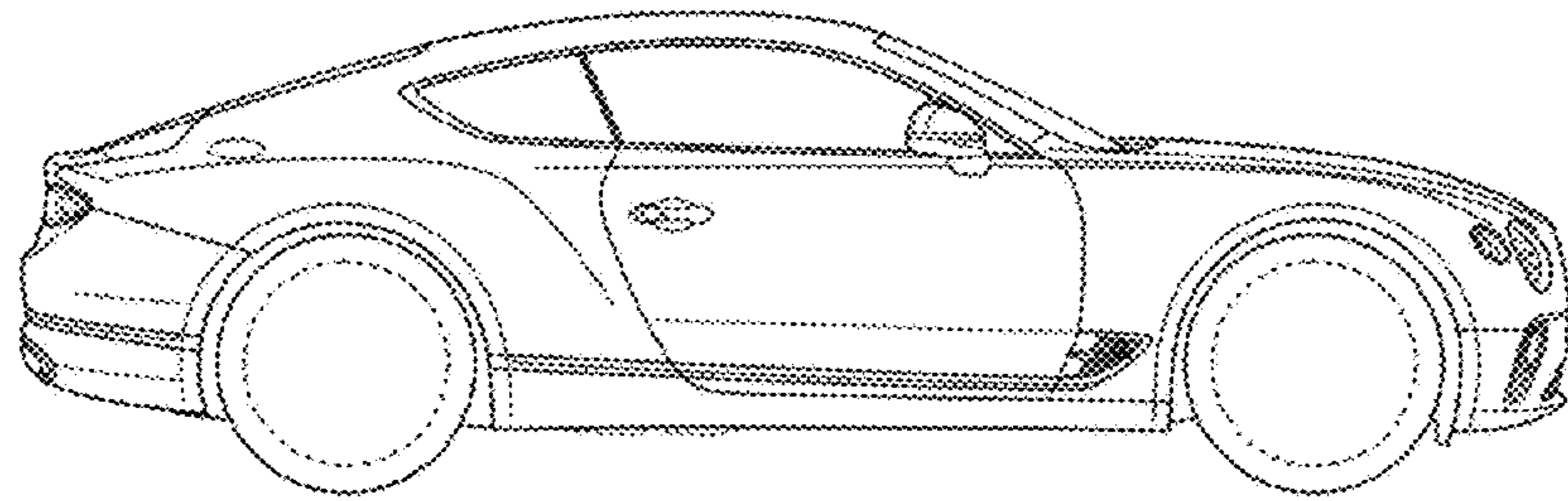


FIG. 5

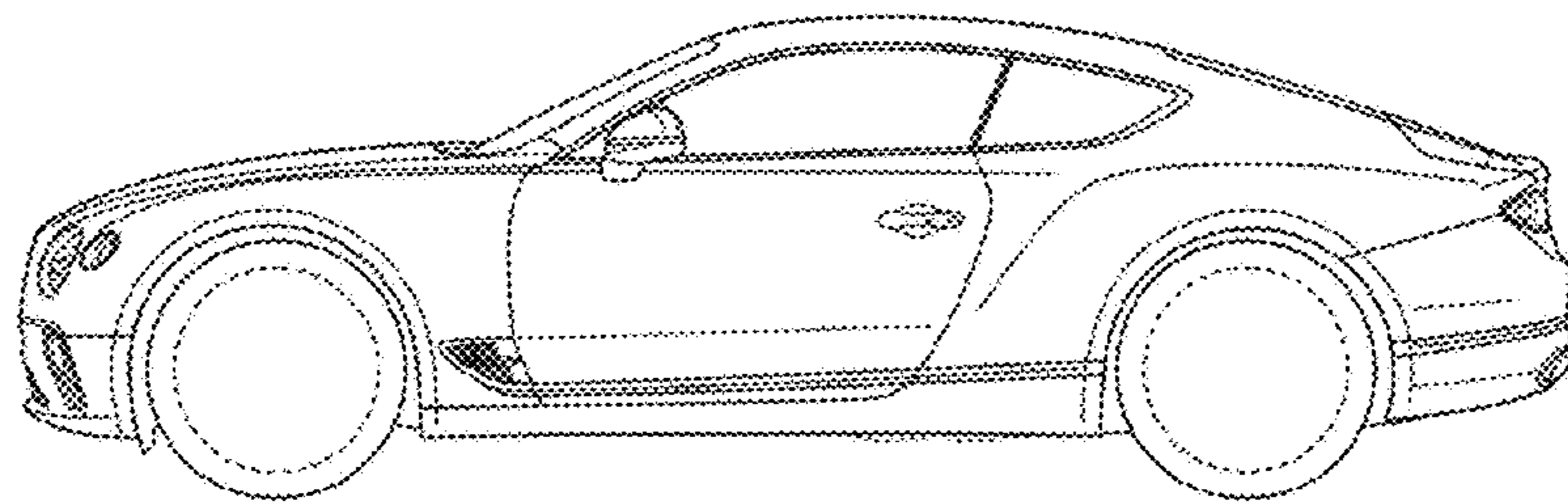


FIG. 6

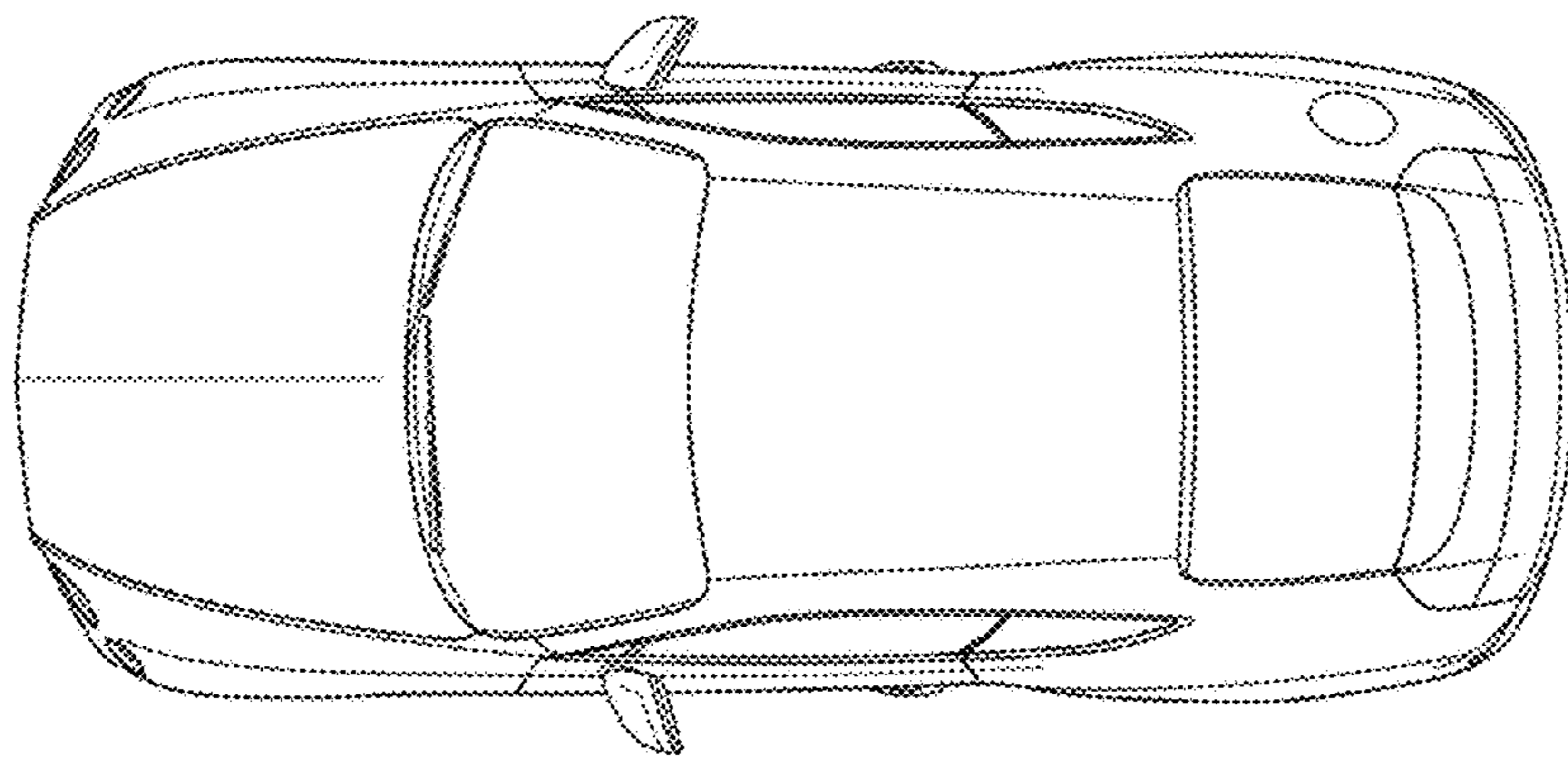


FIG. 7