



US00D859211S

(12) **United States Design Patent**
Nightingale et al.

(10) **Patent No.:** **US D859,211 S**

(45) **Date of Patent:** **** Sep. 10, 2019**

(54) **VEHICLE**

(71) Applicant: **Jaguar Land Rover Limited**, Whitley,
Coventry (GB)

(72) Inventors: **Hugo Nightingale**, Coventry (GB);
Roman Bertin, Coventry (GB)

(73) Assignee: **Jaguar Land Rover Limited**, Whitley,
Coventry (GB)

(**) Term: **15 Years**

(21) Appl. No.: **29/636,829**

(22) Filed: **Feb. 12, 2018**

(30) **Foreign Application Priority Data**

Aug. 29, 2017 (EM) 004170249

(51) **LOC (12) Cl.** **12-08**

(52) **U.S. Cl.**
USPC **D12/86**

(58) **Field of Classification Search**
USPC D12/86, 90-92; D21/424, 433, 434;
296/181.1-181.5, 183.1
CPC B62D 25/00; B62D 25/06; B62D 33/00;
B62D 35/00
See application file for complete search history.

(56) **References Cited**

U.S. PATENT DOCUMENTS

D691,921 S * 10/2013 Kasamatsu D12/86
D696,606 S * 12/2013 Dong D12/90

D709,799 S * 7/2014 Kato D12/91
D729,121 S * 5/2015 Engler D12/86
D742,281 S * 11/2015 Ishii D12/91
D745,438 S * 12/2015 Rasmussen D12/92
D754,564 S * 4/2016 Bouzige D12/91
D778,785 S * 2/2017 Hirokawa D12/86
D780,635 S * 3/2017 O'Connell D12/92
D810,624 S * 2/2018 Panoz D12/86
D810,627 S * 2/2018 Cloke D12/92
D832,742 S * 11/2018 Fisker D12/86
D839,784 S * 2/2019 Sugawara D12/86

* cited by examiner

Primary Examiner — Melody N Brown

(74) *Attorney, Agent, or Firm* — Wood Herron & Evans
LLP

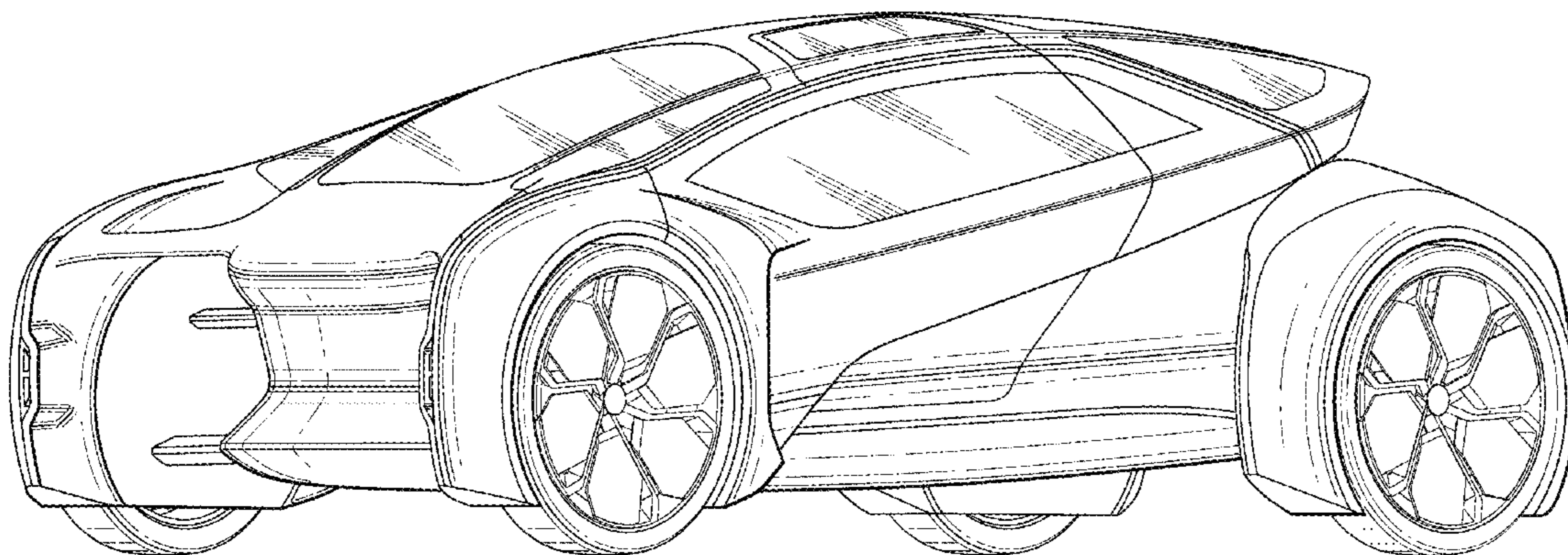
(57) **CLAIM**

The ornamental design for a vehicle, as shown and
described.

DESCRIPTION

FIG. 1 is a right, front perspective view of a vehicle showing
our new design;
FIG. 2 is a left, rear perspective view thereof;
FIG. 3 is a front view thereof.
FIG. 4 is a rear view thereof.
FIG. 5 is a left side view thereof.
FIG. 6 is a right side view thereof.
FIG. 7 is a top view thereof; and,
FIG. 8 is a bottom view thereof.

1 Claim, 8 Drawing Sheets



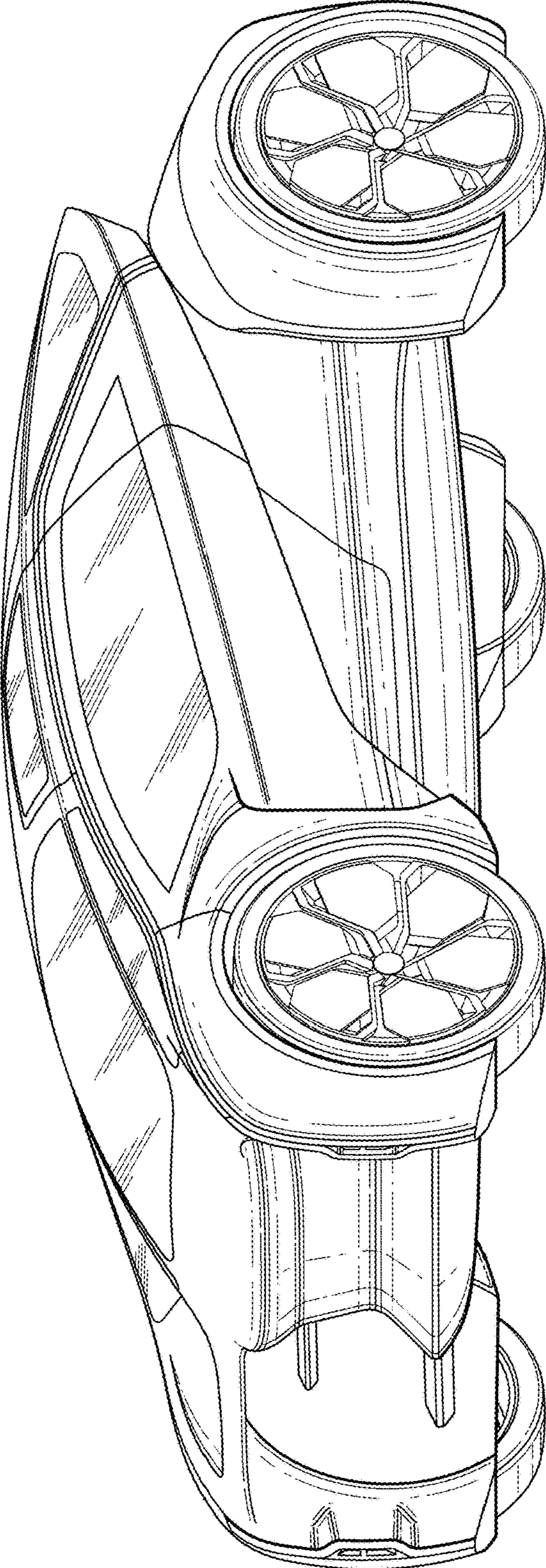


FIG. 1

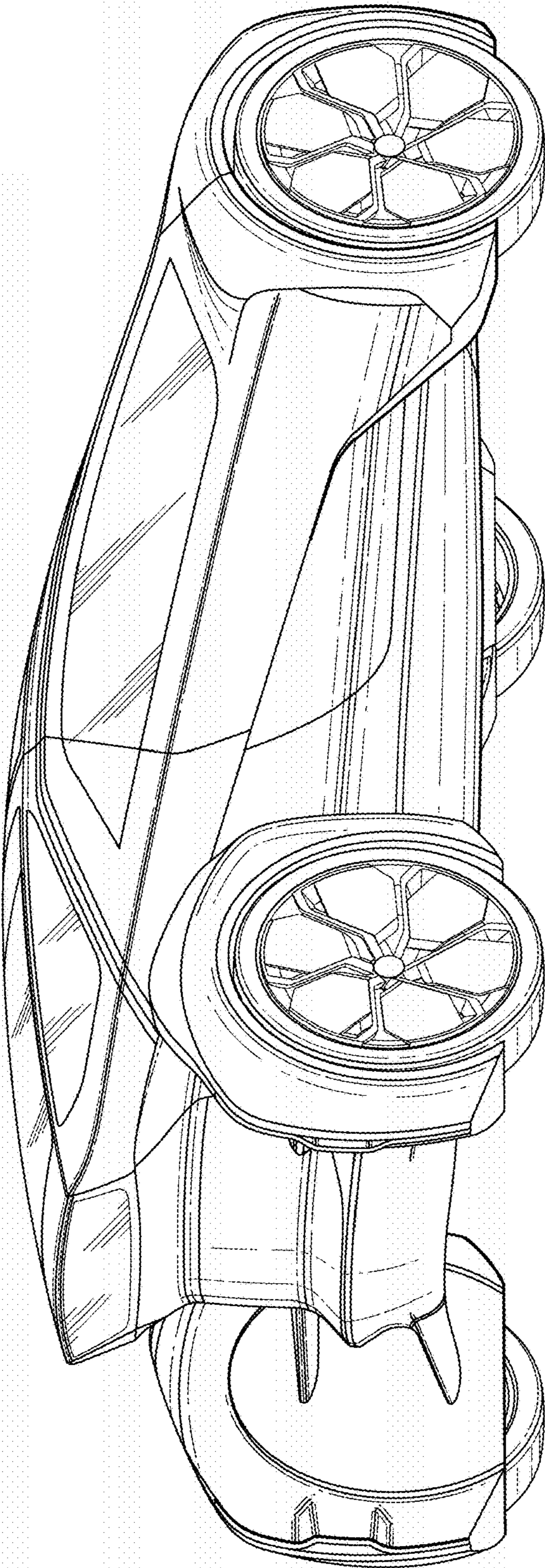


FIG. 2

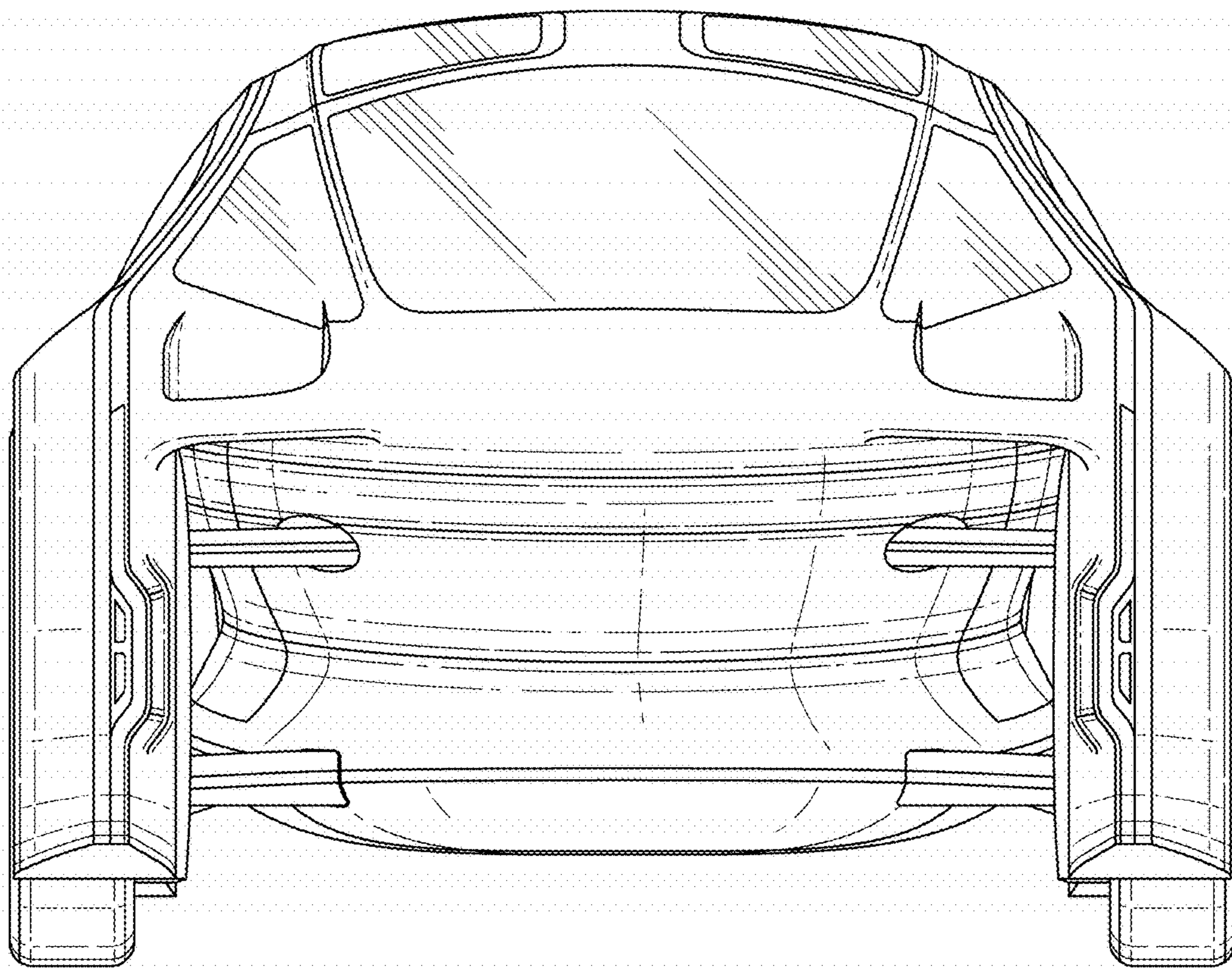


FIG. 3

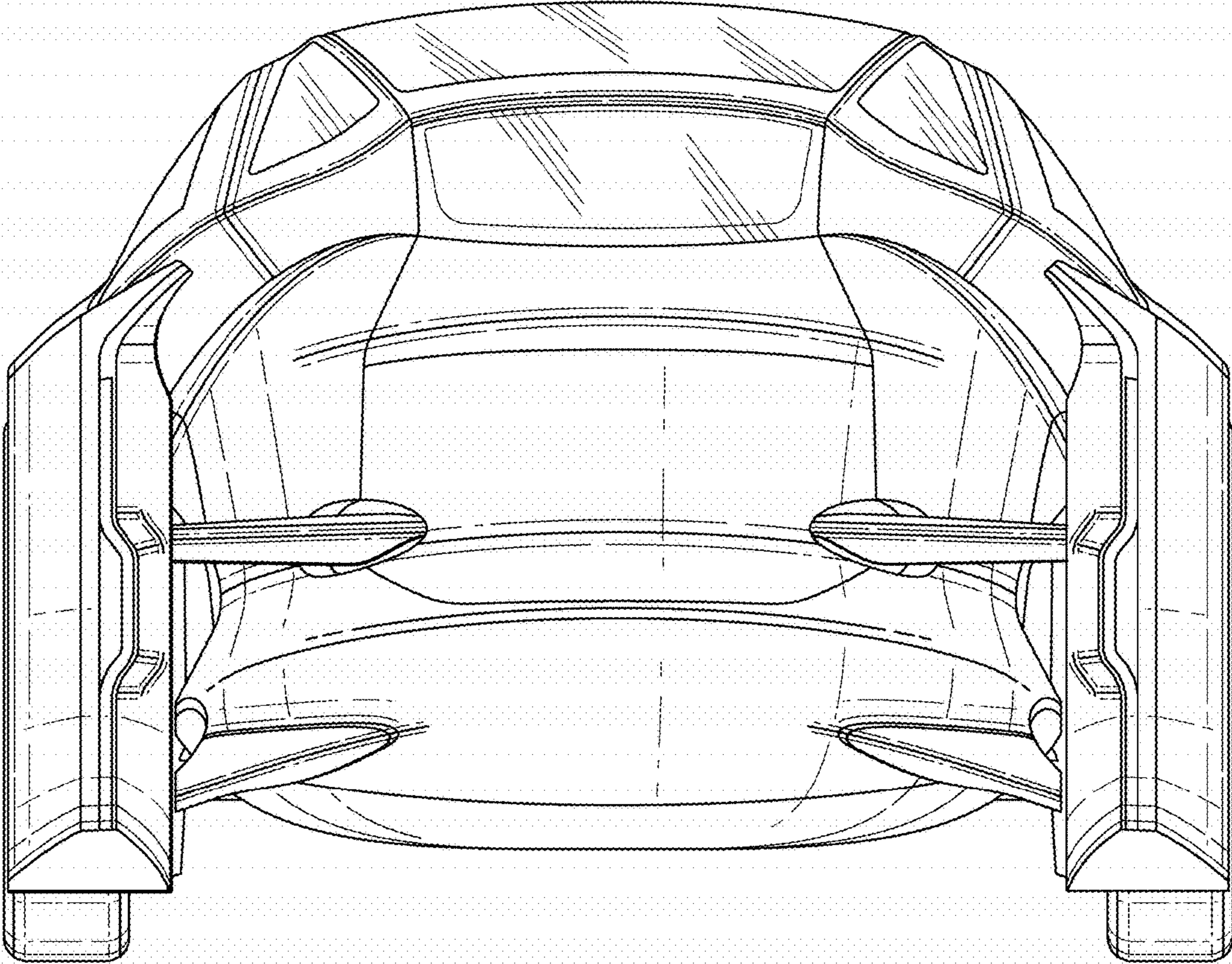


FIG. 4

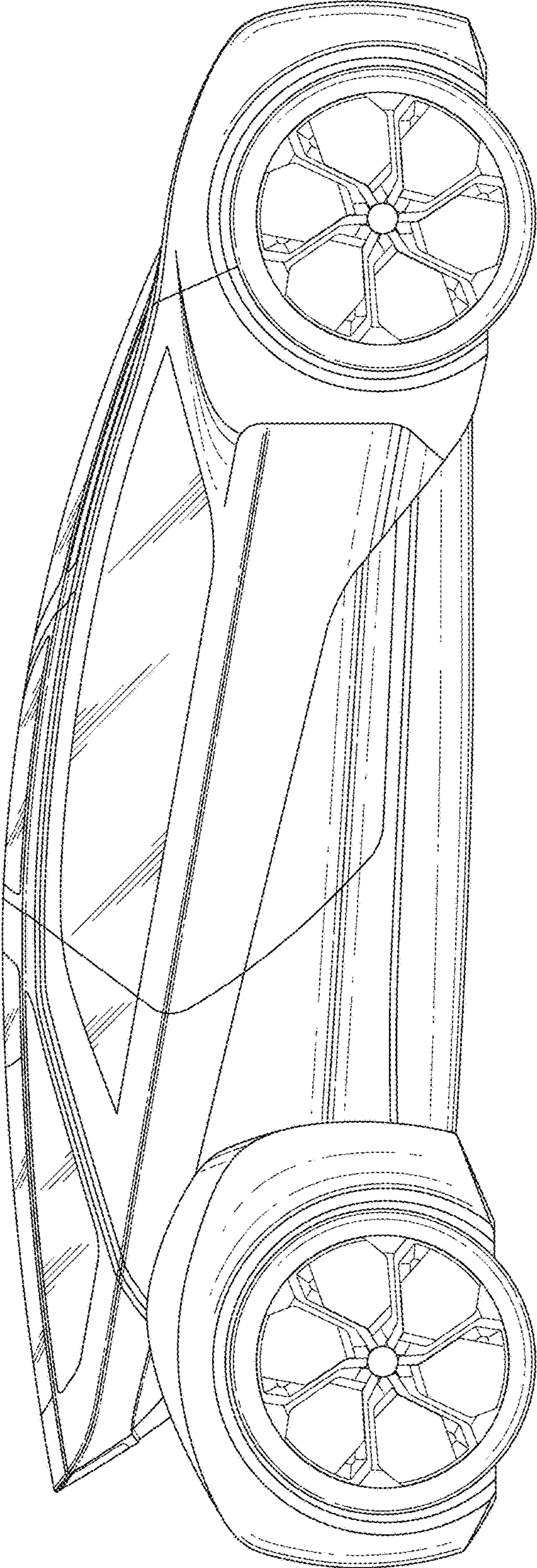


FIG. 5

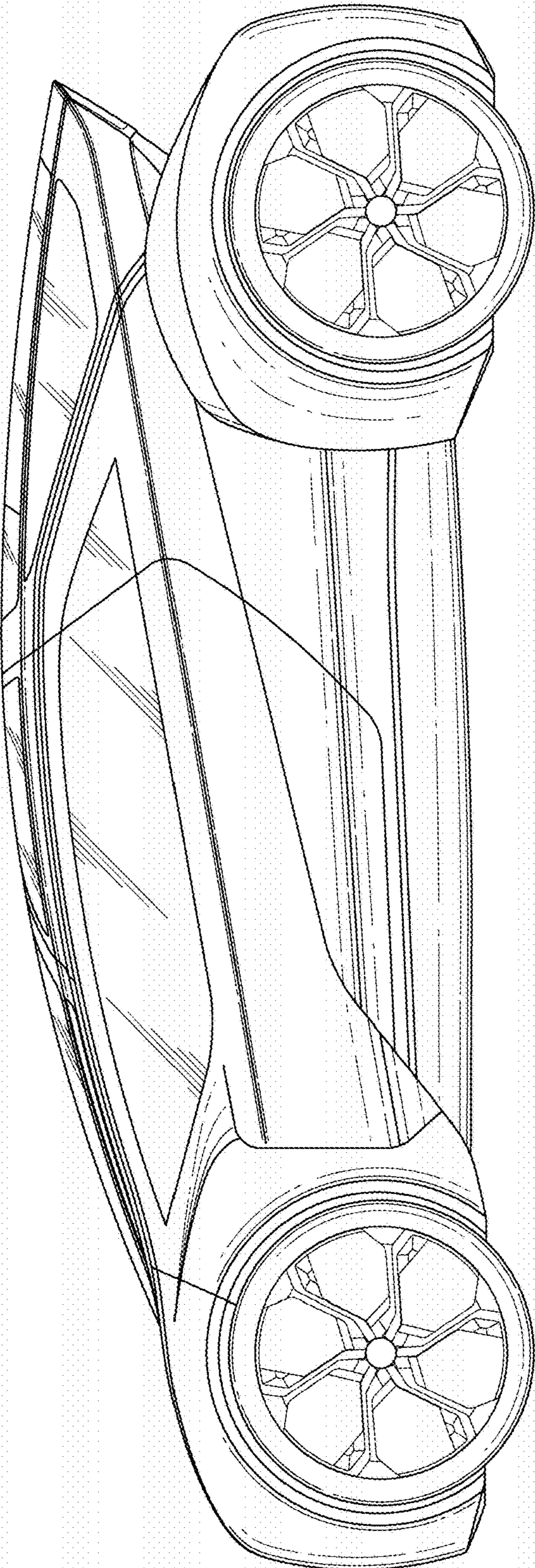


FIG. 6

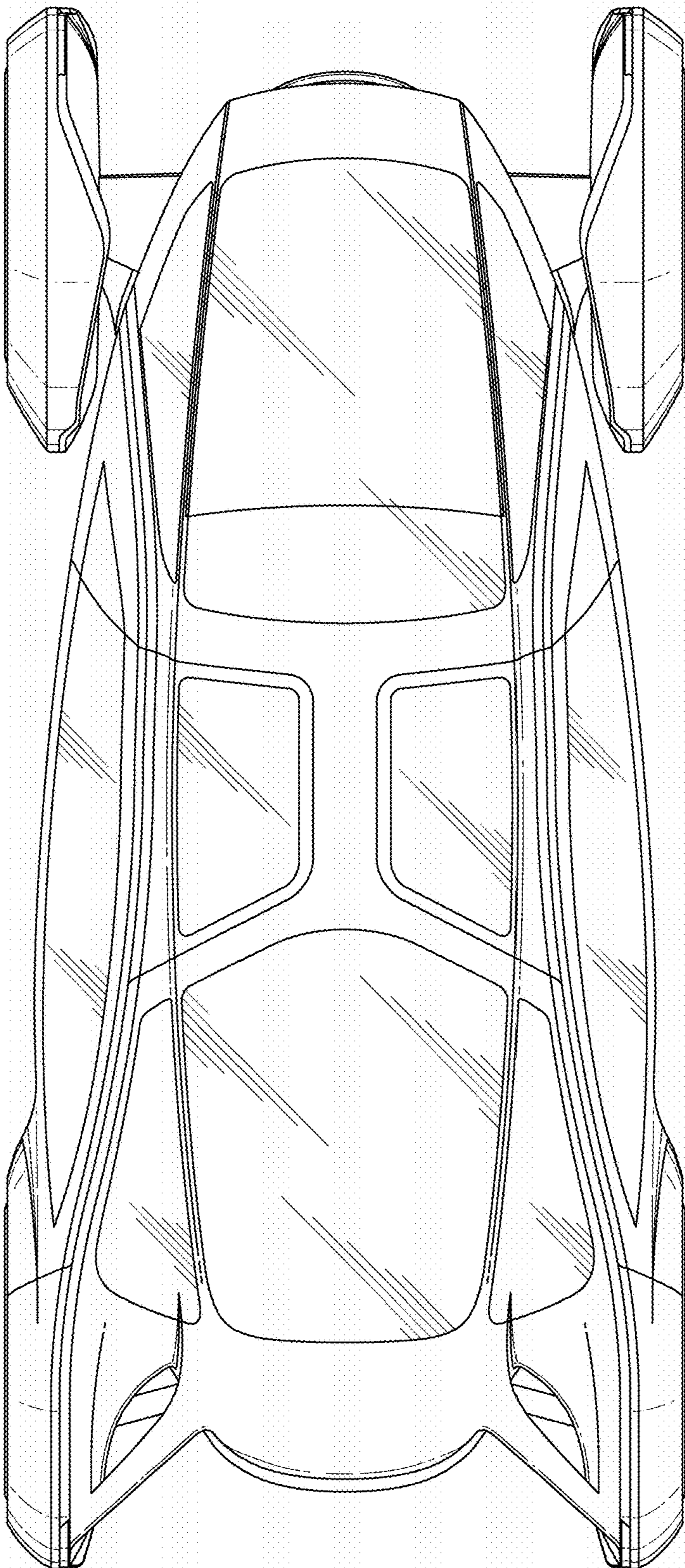


FIG. 7

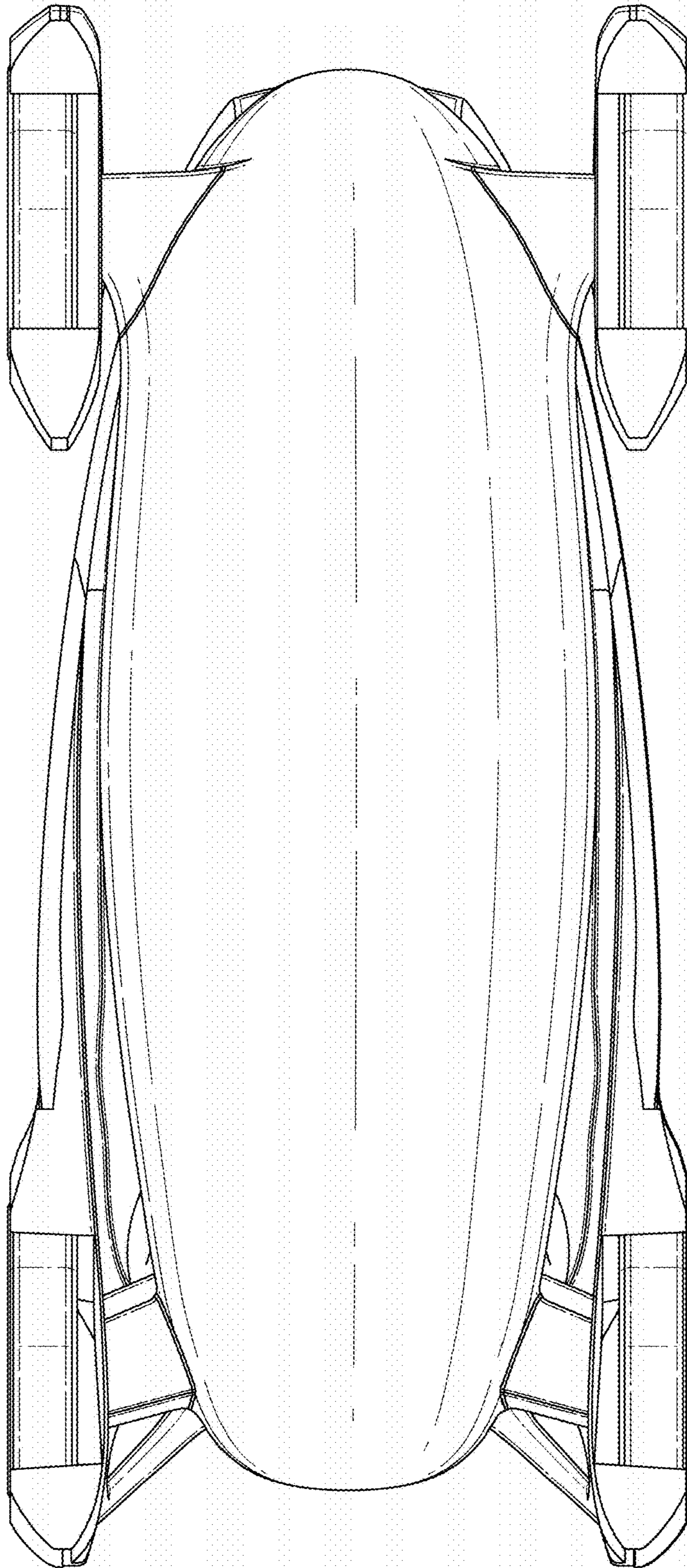


FIG. 8