



US00D859210S

(12) **United States Design Patent**
Lyons et al.

(10) **Patent No.:** **US D859,210 S**
(45) **Date of Patent:** **** Sep. 10, 2019**

(54) **TRANSPORTATION VEHICLE**

(71) Applicant: **Club Car, LLC**, Evans, GA (US)

(72) Inventors: **Samuel Ross Lyons**, Evans, GA (US);
Nicholas Douglas, Grovetown, GA (US);
Carrie Seger Harrison, Evans, GA (US);
Benjamin Gillin Braun, Evans, GA (US);
Dennis James Heil, Evans, GA (US);
Dean J. Long, Bradenton, FL (US)

(73) Assignee: **Club Car, LLC**, Evans, GA (US)

(**) Term: **15 Years**

(21) Appl. No.: **29/638,499**

(22) Filed: **Feb. 27, 2018**

(51) **LOC (12) Cl.** **12-02**

(52) **U.S. Cl.**
USPC **D12/16**

(58) **Field of Classification Search**
USPC D12/1, 12, 14, 16
CPC B62D 25/08; B62D 25/081; B62D 25/00;
B62D 25/105
See application file for complete search history.

(56) **References Cited**

U.S. PATENT DOCUMENTS

D617,235 S *	6/2010	Dai	D12/16
D617,681 S *	6/2010	Tuo	D12/16
D618,137 S *	6/2010	Yuan	D12/16
D721,012 S *	1/2015	Zhang	D12/16
D735,077 S *	7/2015	Sato	D12/87
D746,174 S *	12/2015	Storms	D12/16
D755,077 S *	5/2016	Lyons	D12/14
D762,141 S *	7/2016	Zhou	D12/16

(Continued)

Primary Examiner — Michelle E. Wilson

Assistant Examiner — Ania Aman

(74) *Attorney, Agent, or Firm* — Taft Stettinius & Hollister LLP

(57) **CLAIM**

The ornamental design for a transportation vehicle, as shown and described.

DESCRIPTION

FIG. 1 is a perspective side view of a first embodiment of a transportation vehicle.

FIG. 2 is a front side view of the transportation vehicle shown in FIG. 1.

FIG. 3 is a back side view of the transportation vehicle in FIG. 1.

FIG. 4 is a left side view of the transportation vehicle shown in FIG. 1.

FIG. 5 is a right side view of the transportation vehicle shown in FIG. 1.

FIG. 6 is a top side view of the transportation vehicle in FIG. 1.

FIG. 7 is a bottom side view of the transportation vehicle in FIG. 1.

FIG. 8 is a perspective side view of a second embodiment of a transportation vehicle.

FIG. 9 is a front side view of the transportation vehicle shown in FIG. 8.

FIG. 10 is a back side view of the transportation vehicle in FIG. 8.

FIG. 11 is a left side view of the transportation vehicle shown in FIG. 8.

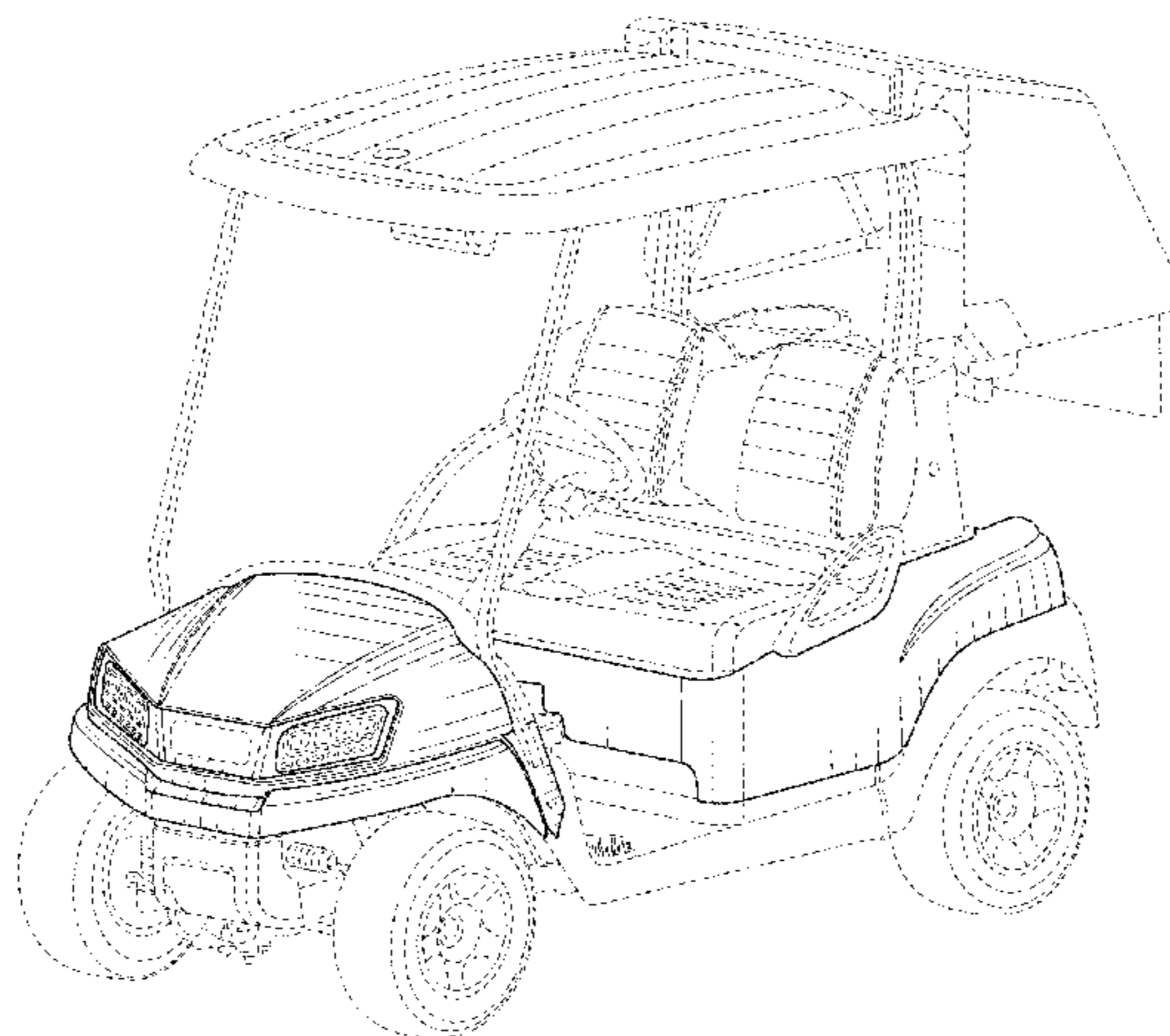
FIG. 12 is a right side view of the transportation vehicle shown in FIG. 8.

FIG. 13 is a top side view of the transportation vehicle in FIG. 8; and,

FIG. 14 is a bottom side view of the transportation vehicle in FIG. 8.

The broken lines showing the transportation vehicle are for purposes of illustrating portions of the transportation vehicle that form no part of the claimed design.

1 Claim, 14 Drawing Sheets



(56)

References Cited

U.S. PATENT DOCUMENTS

D809,968 S * 2/2018 Lacock D12/16
D810,620 S * 2/2018 Lacock D12/16

* cited by examiner

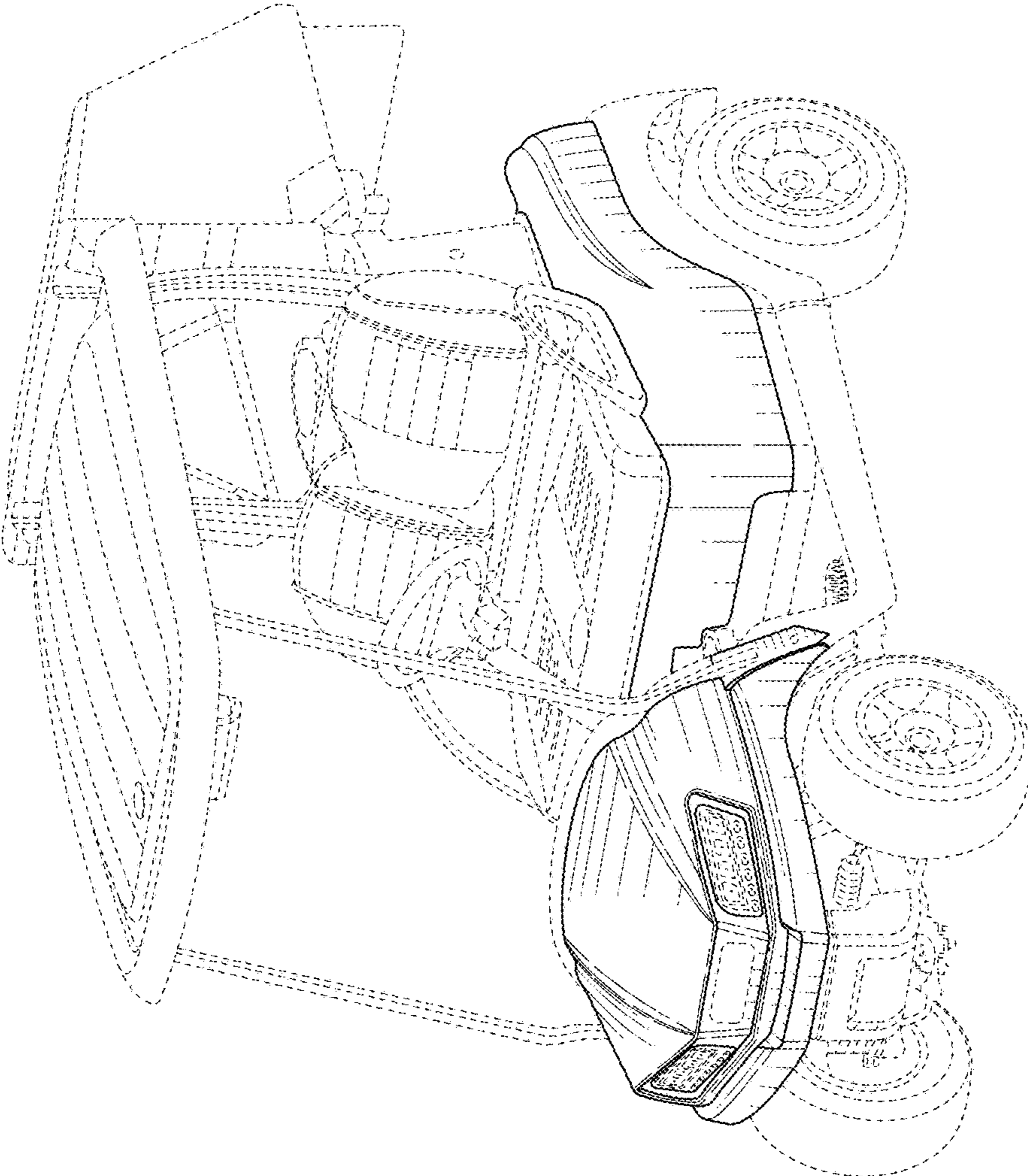


FIG. 1

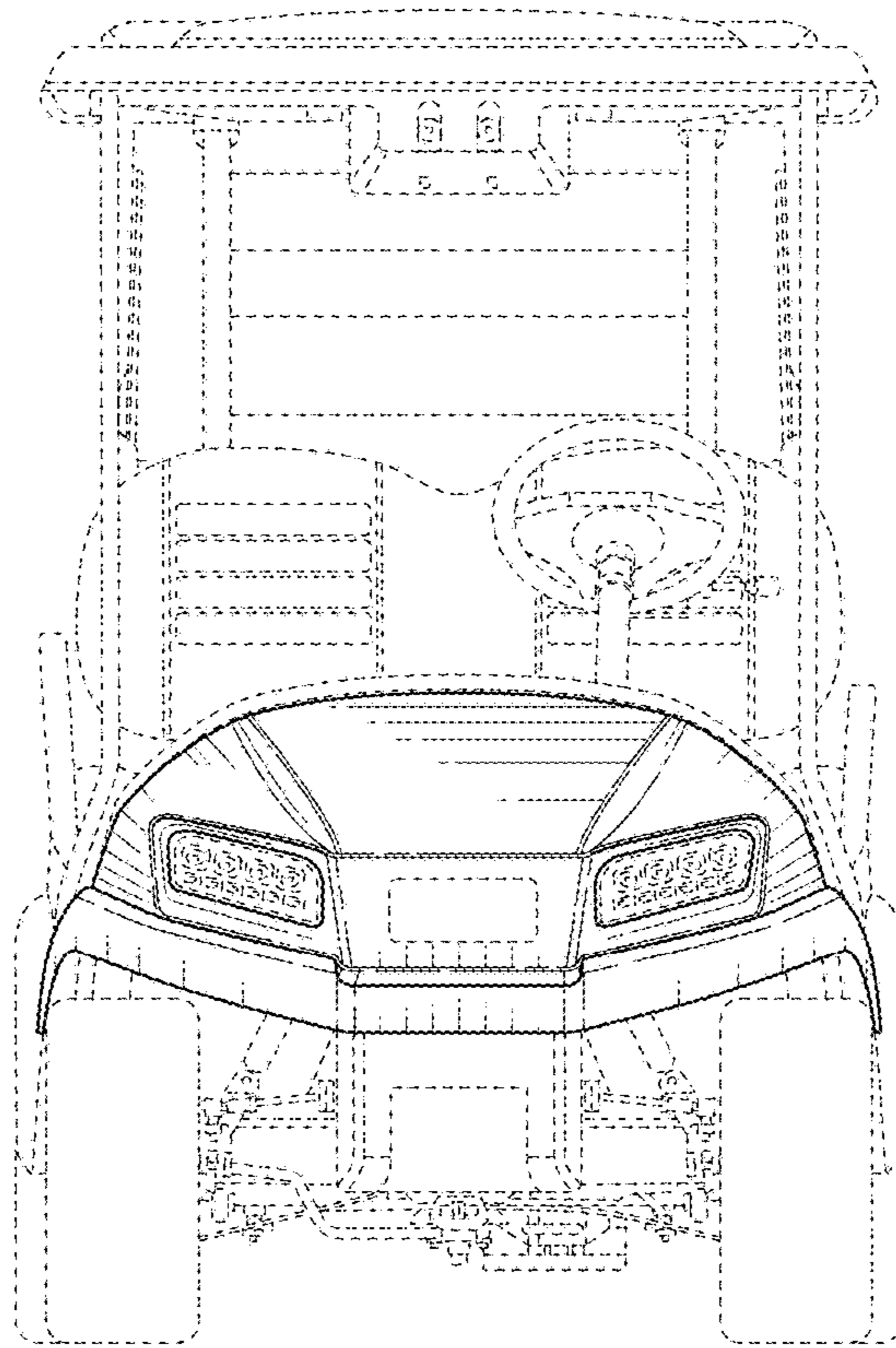


FIG. 2

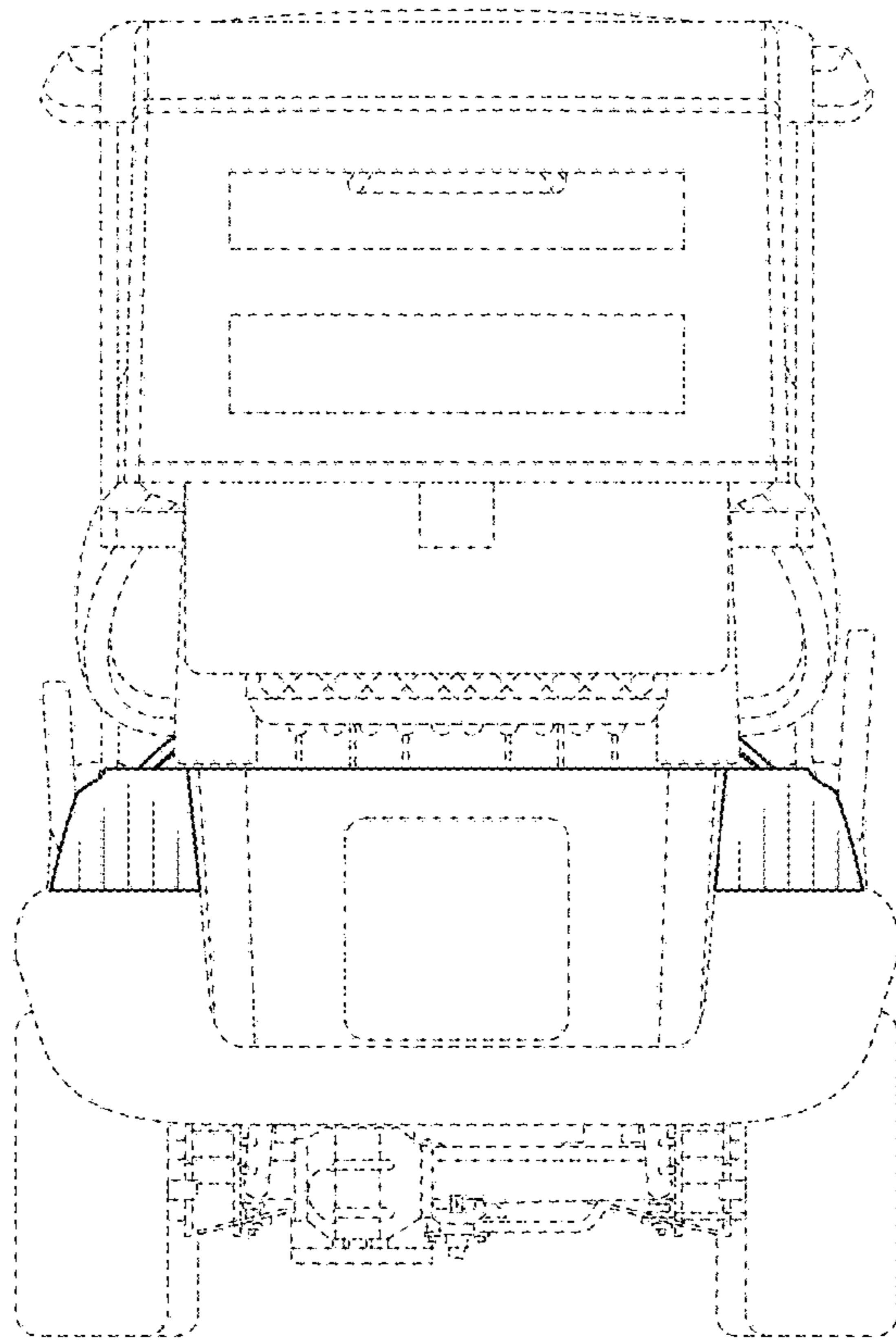


FIG. 3

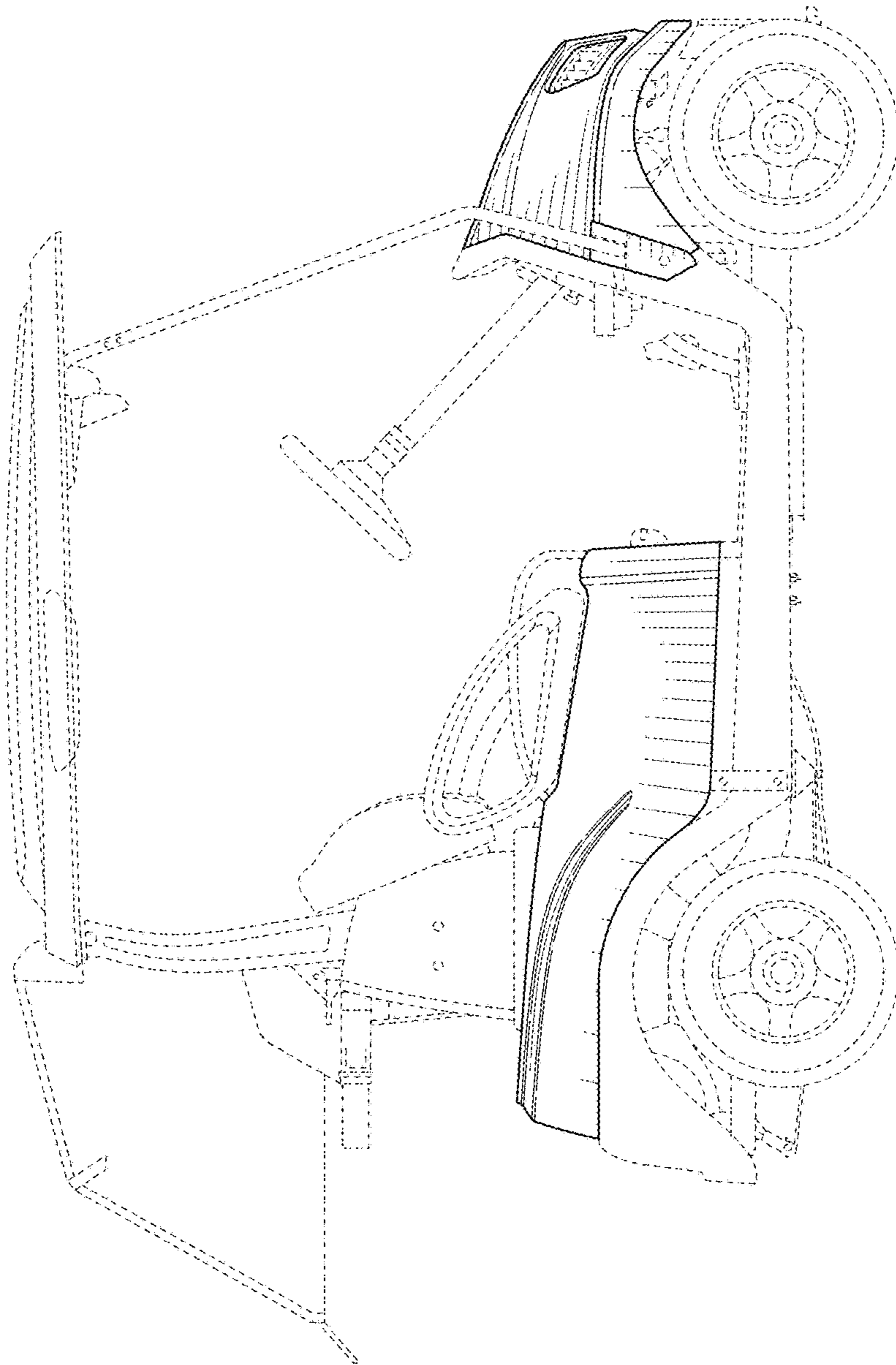


FIG. 4

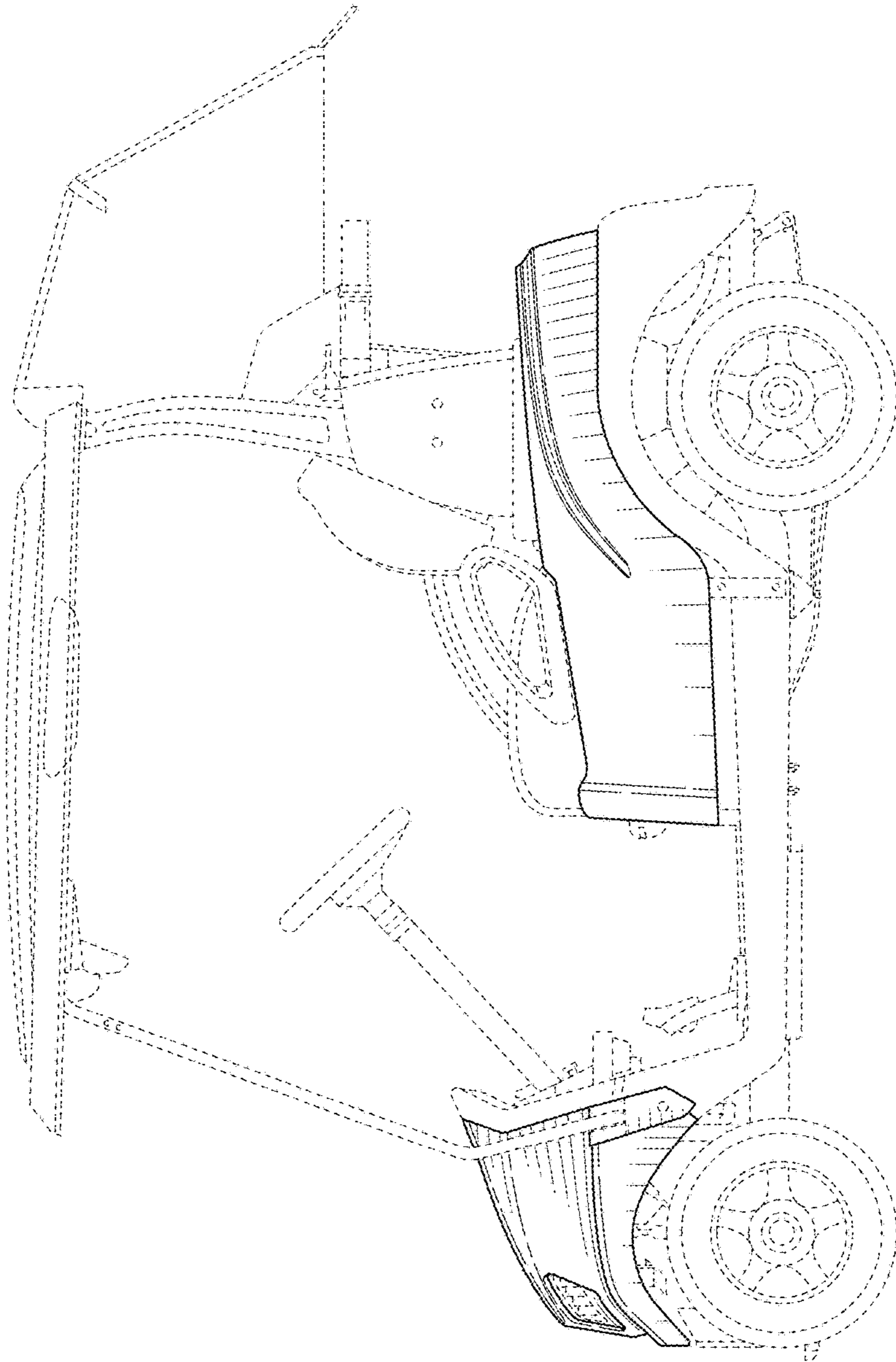


FIG. 5

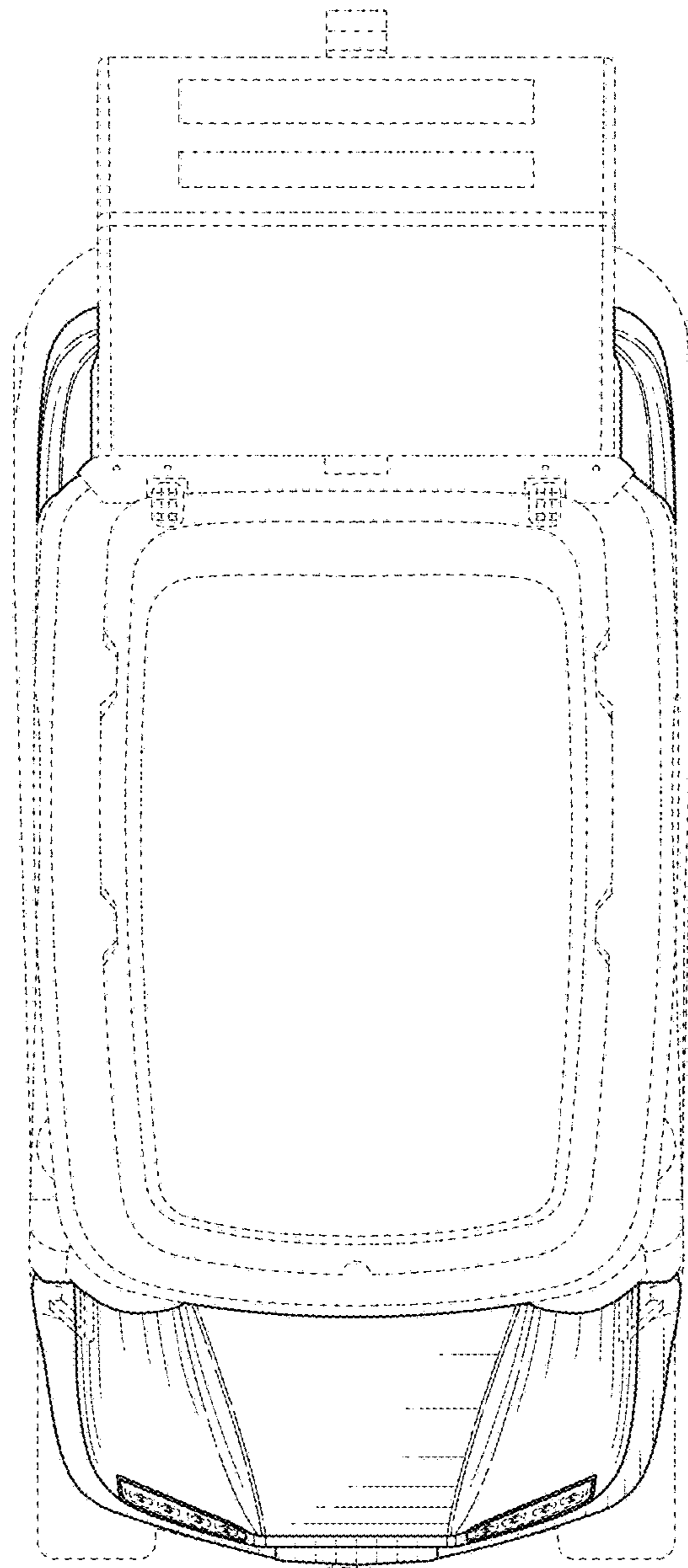


FIG. 6

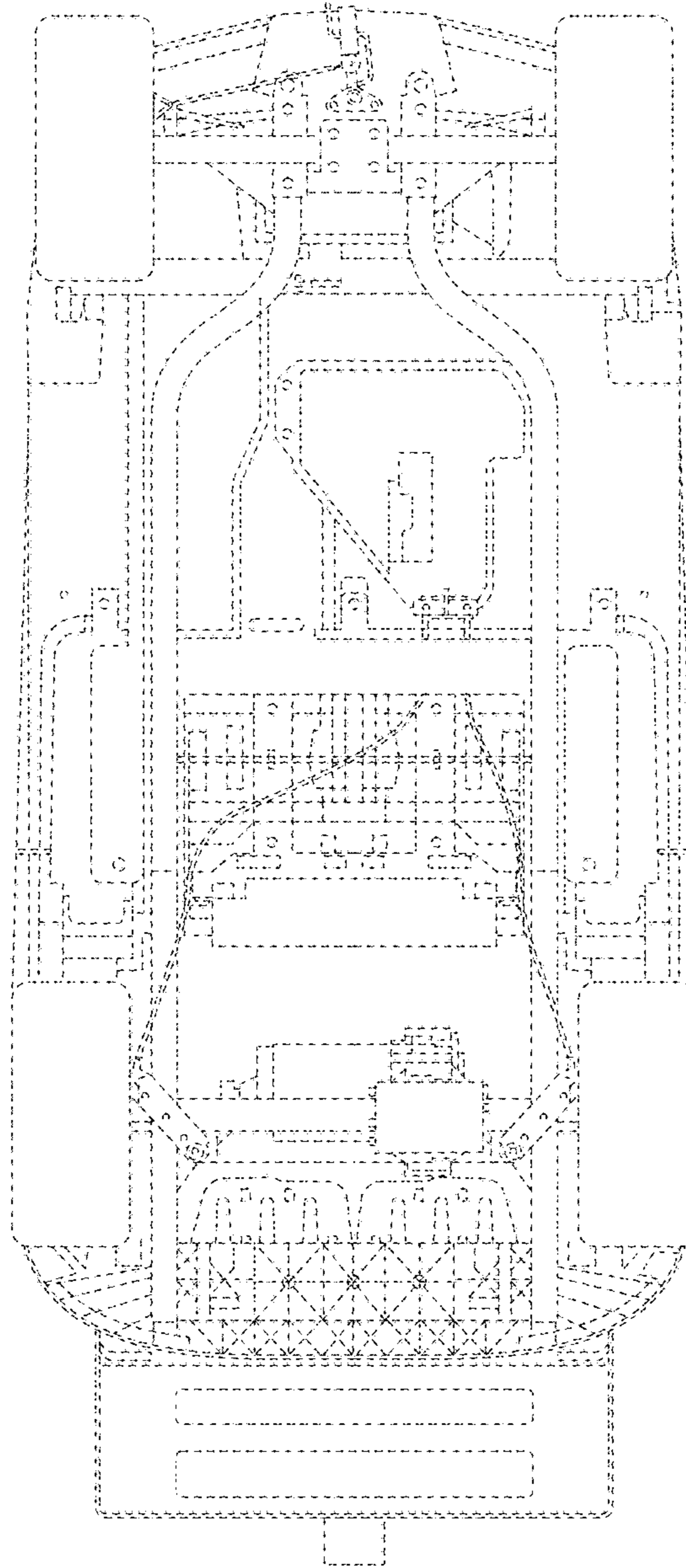


FIG. 7

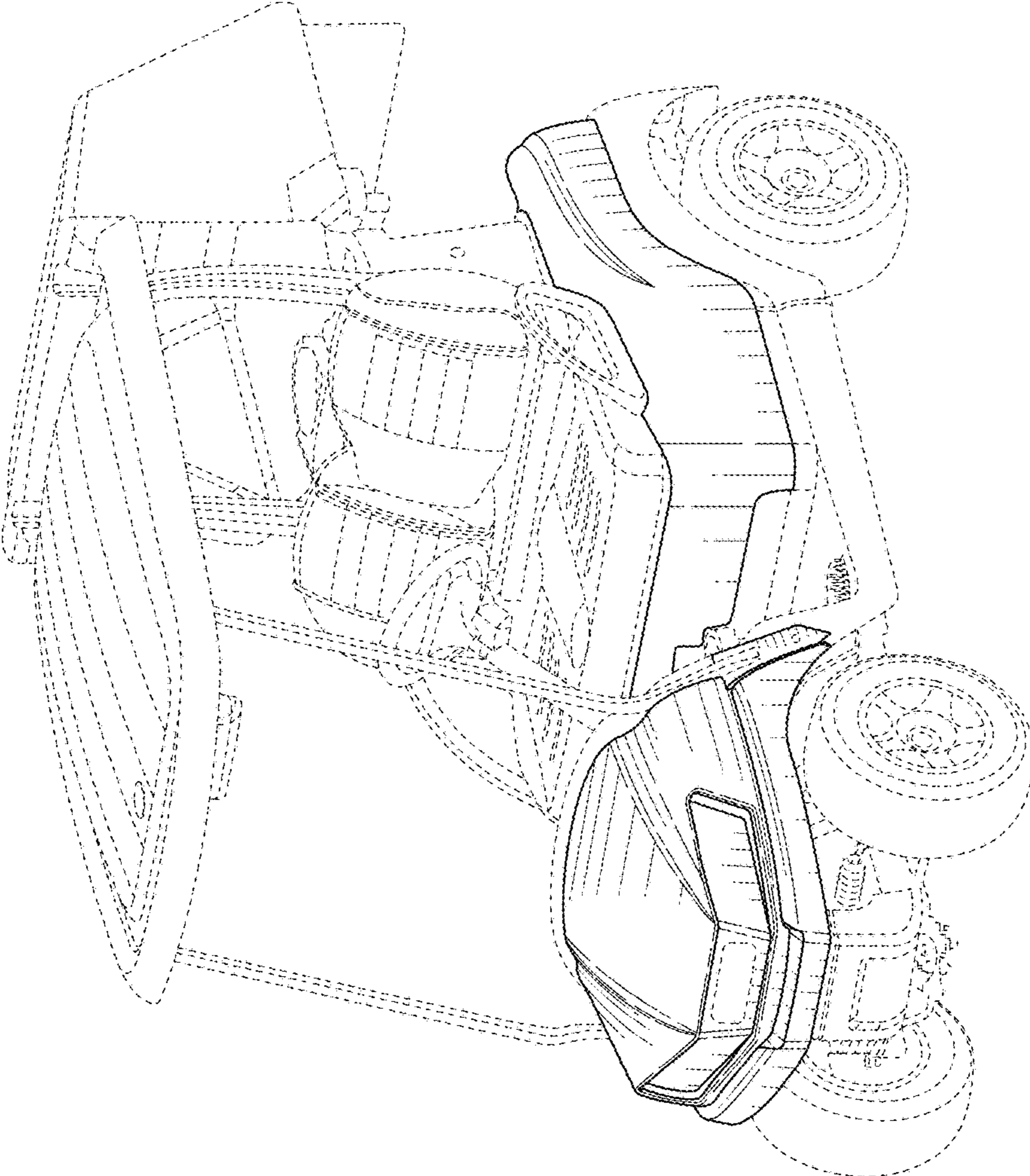


FIG. 8

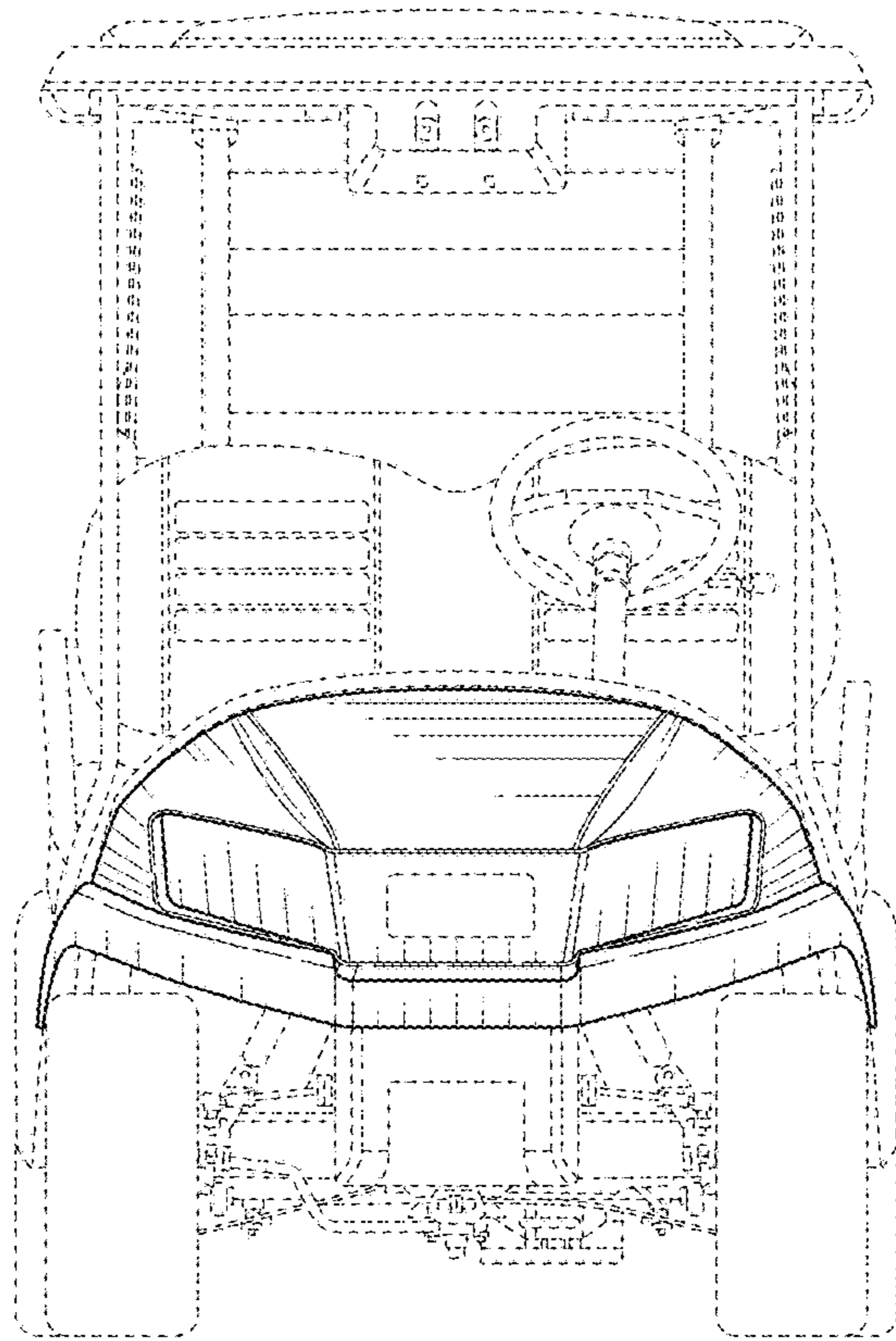


FIG. 9

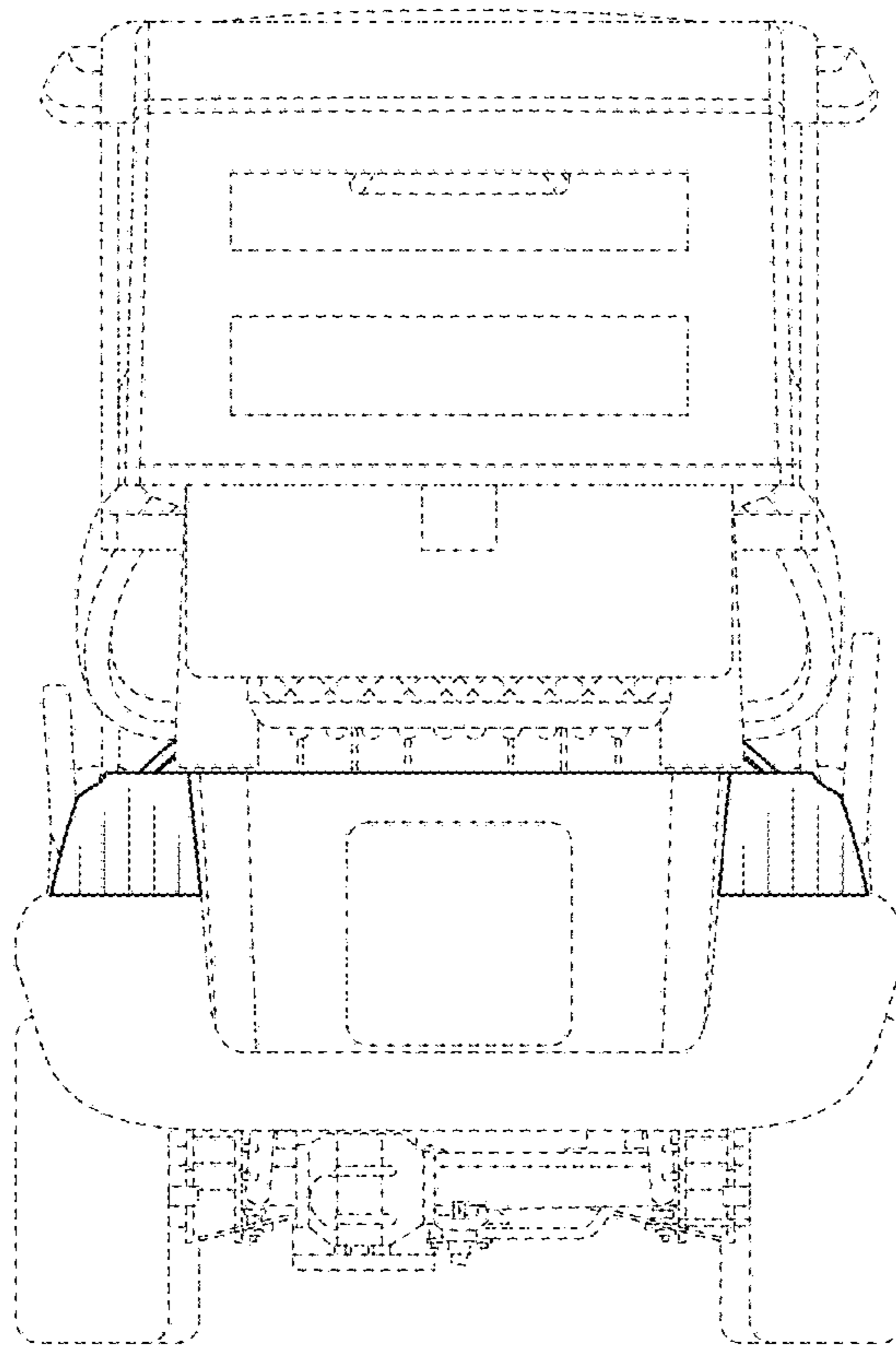


FIG. 10

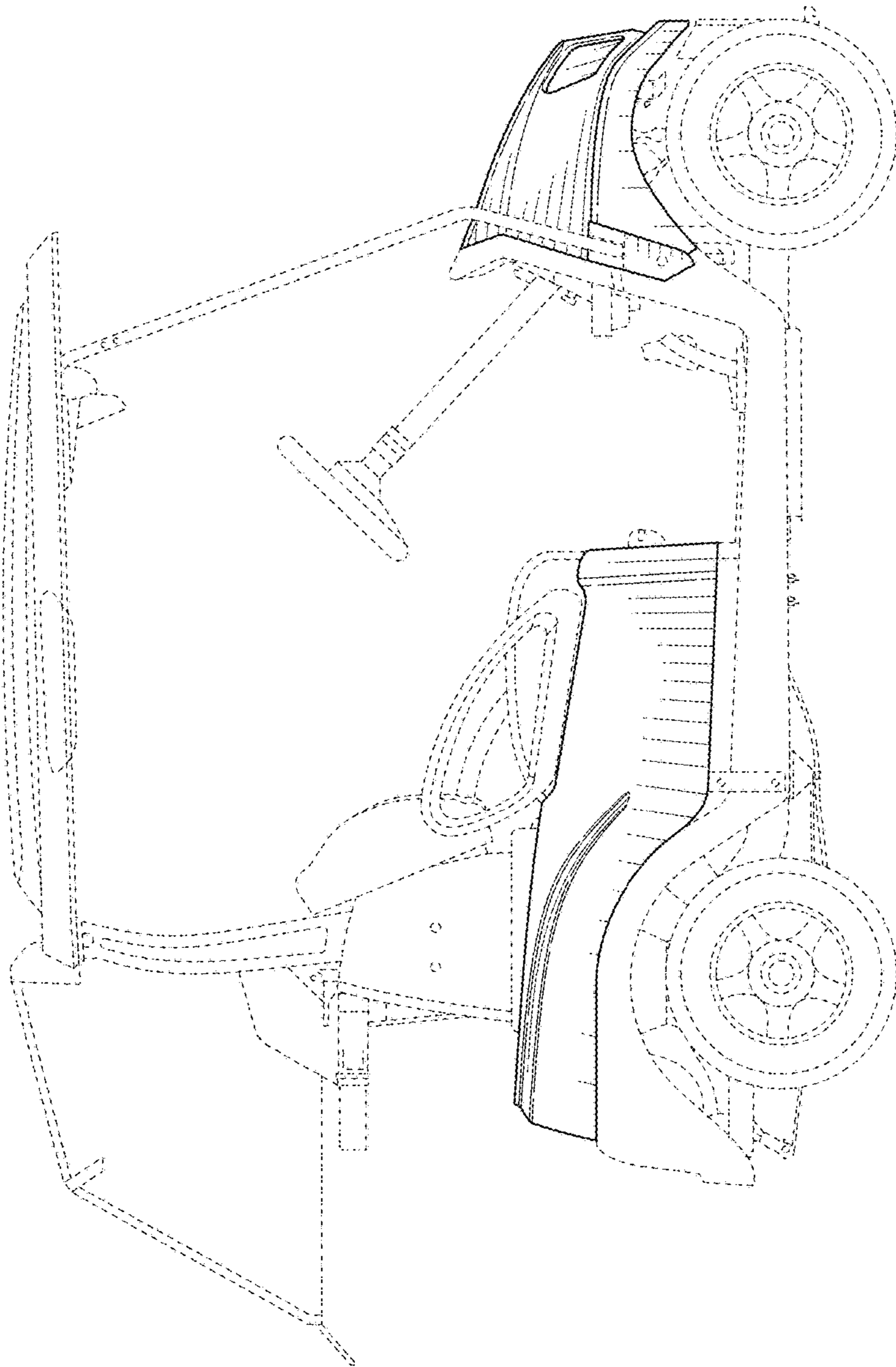


FIG. 11

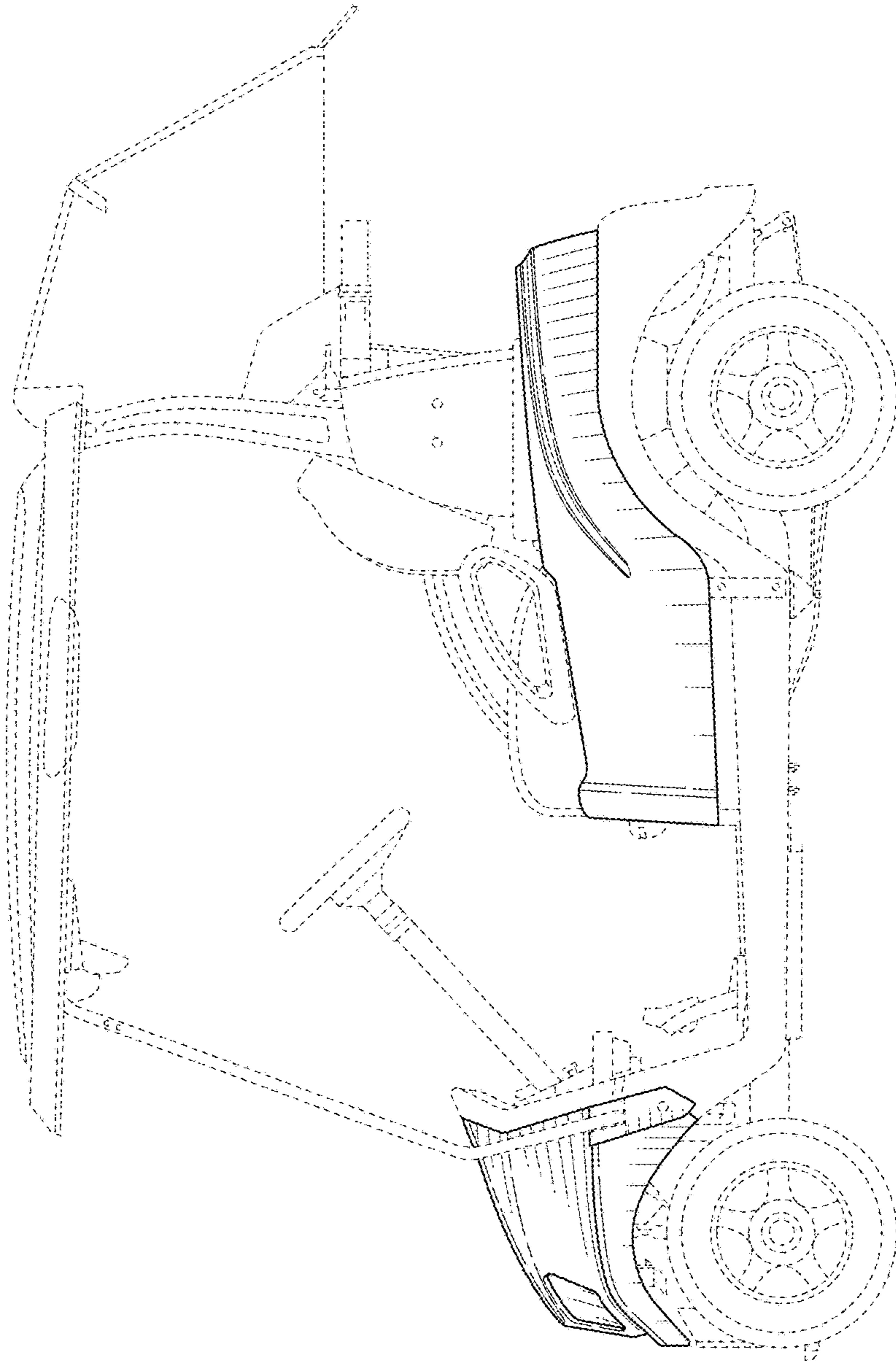


FIG. 12

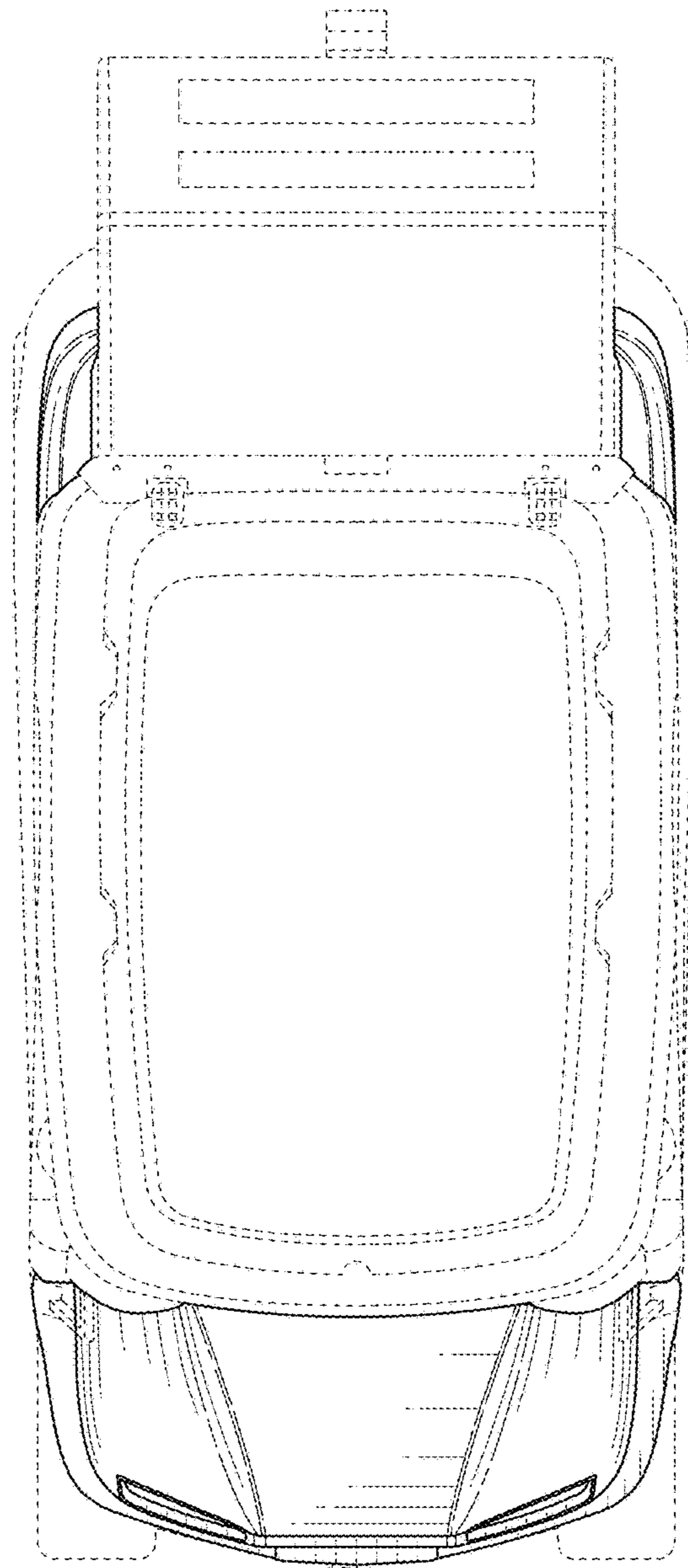


FIG. 13

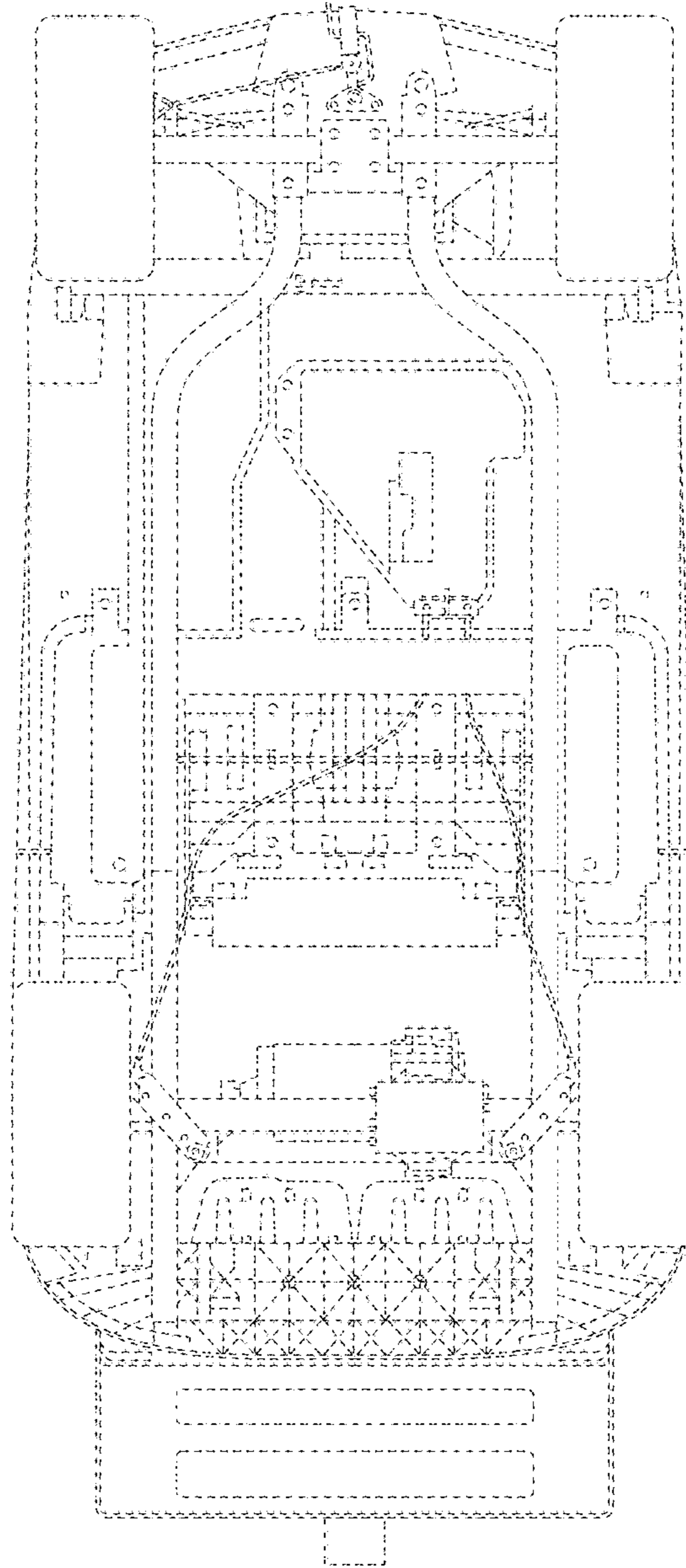


FIG. 14