



US00D859209S

(12) **United States Design Patent** (10) **Patent No.:** **US D859,209 S**  
**MacAndrew et al.** (45) **Date of Patent:** **\*\* Sep. 10, 2019**

(54) **FLYING CAR**

(71) Applicant: **AEROMOBIL R&D, S. R. O.**,  
Bratislava (SK)

(72) Inventors: **Kenneth Douglas Alexander MacAndrew**, Bratislava-Záhorská  
Bystrica (SK); **Tomás Urik**,  
Sastin-Stráže (SK); **Adam Danko**,  
Stupava (SK)

(\*\*) Term: **15 Years**

(21) Appl. No.: **35/505,365**

(22) Filed: **Mar. 16, 2018**

(80) **Hague Agreement Data**

Int. Filing Date: **Mar. 16, 2018**  
Int. Reg. No.: **DM/101985**  
Int. Reg. Date: **Mar. 16, 2018**  
Int. Reg. Pub. Date: **Jul. 27, 2018**

(30) **Foreign Application Priority Data**

Sep. 18, 2017 (EM) ..... 004360360

(51) **LOC (12) Cl.** ..... **12-07**

(52) **U.S. Cl.**  
USPC ..... **D12/4**

(58) **Field of Classification Search**

USPC ..... D12/1-4, 326-345  
CPC ..... B60F 5/02; B64C 37/00; B64C 29/0025;  
B64C 29/0033; B64C 27/22; B64C 27/24;  
B64C 27/26; B64C 27/28

See application file for complete search history.

(56) **References Cited**

**U.S. PATENT DOCUMENTS**

D163,722 S \* 6/1951 Vinje ..... 244/2  
2,674,422 A \* 4/1954 Pellarini ..... B60F 5/02  
244/49  
D221,260 S \* 7/1971 Smolinski ..... D12/335

D239,522 S \* 4/1976 Wheatley ..... D12/335  
5,417,386 A \* 5/1995 Wernicke ..... B60F 5/02  
244/2  
5,435,502 A \* 7/1995 Wernicke ..... B60F 5/02  
244/199.4  
D370,435 S \* 6/1996 Wernicke ..... D12/2  
D620,392 S \* 7/2010 Rodriguez ..... B60F 5/02  
D12/3  
D713,774 S \* 9/2014 Tritschler ..... B60F 5/02  
D12/3

(Continued)

*Primary Examiner* — George D. Kirschbaum  
*Assistant Examiner* — Joseph J. Kukella

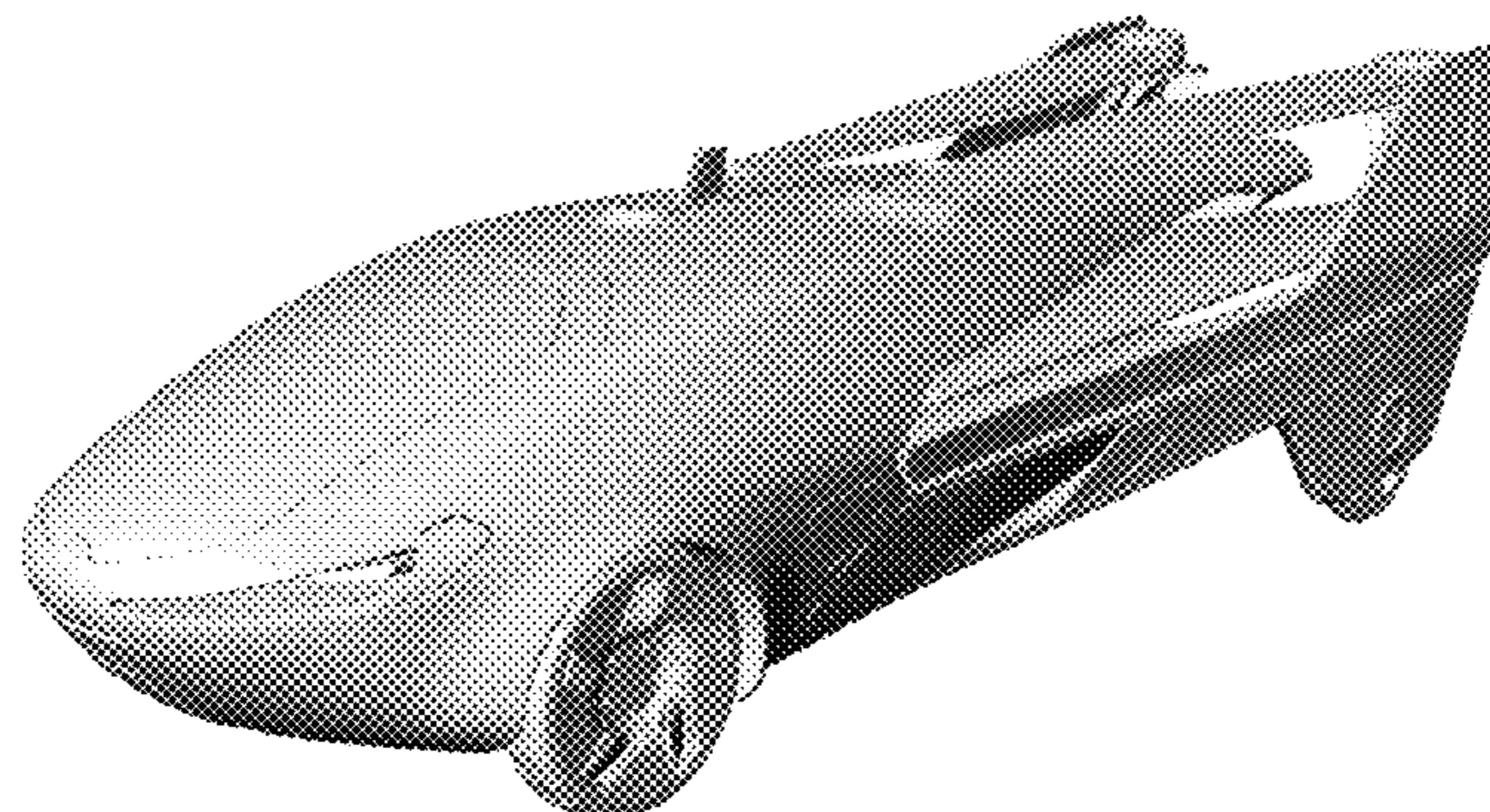
(57) **CLAIM**

The ornamental design for a flying car, as shown and described.

**DESCRIPTION**

- 1.-3. Flying car
- 1.1 : Perspective
- 1.2 : Back
- 1.3 : Top
- 1.4 : Perspective
- 1.5 : Front
- 1.6 : Left
- 1.7 : Top
- 2.1 : Perspective
- 2.2 : Back
- 2.3 : Top
- 2.4 : Perspective
- 2.5 : Front
- 2.6 : Left
- 2.7 : Top
- 3.1 : Perspective
- 3.2 : Back
- 3.3 : Top
- 3.4 : Perspective
- 3.5 : Front
- 3.6 : Left
- 3.7 : Top

**1 Claim, 21 Drawing Sheets**



(56)

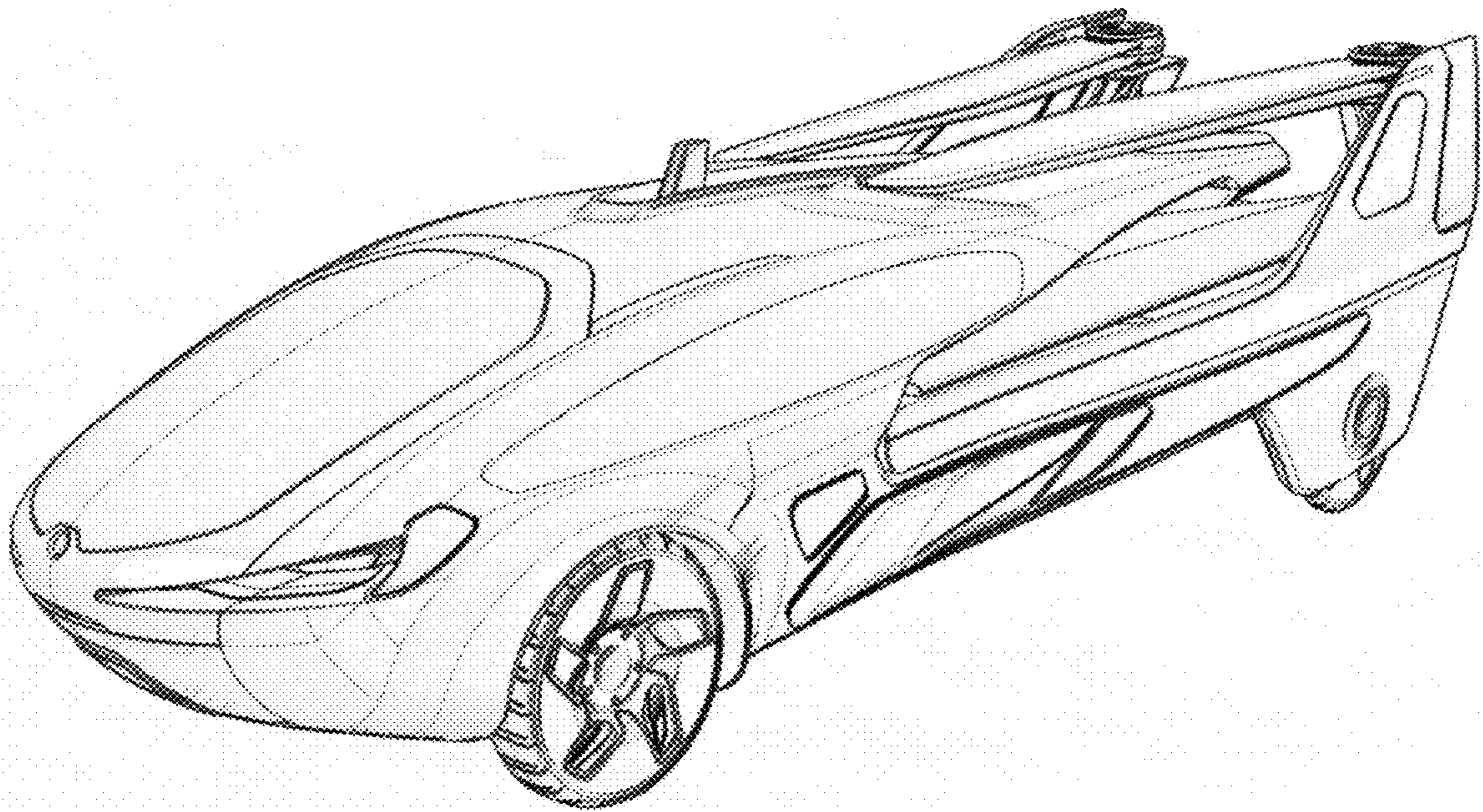
**References Cited**

U.S. PATENT DOCUMENTS

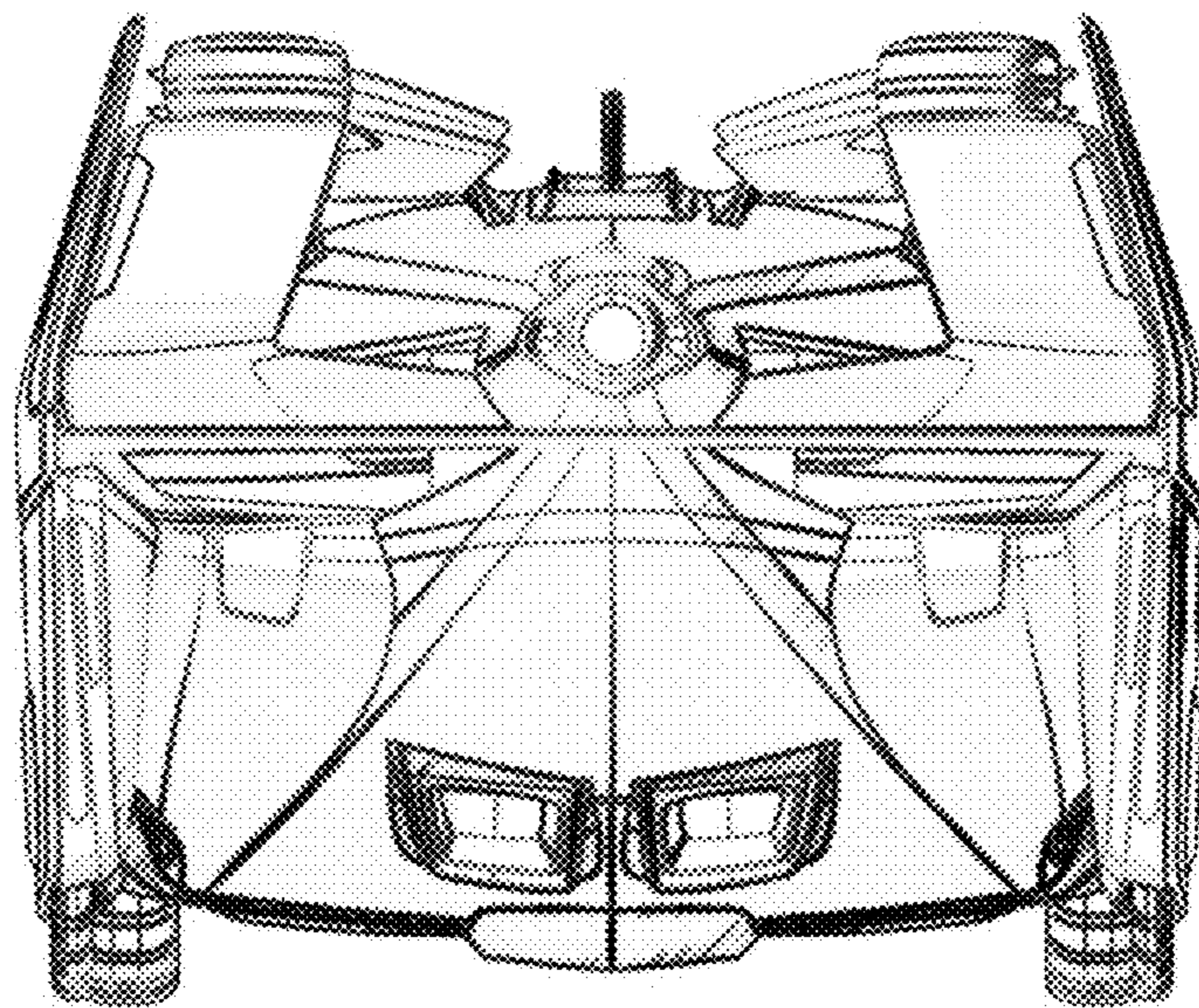
D725,577 S *	3/2015	Vickers .....	B64C 3/385 D12/3
9,259,984 B2 *	2/2016	Brown .....	B60F 5/02
D808,328 S *	1/2018	Ivans .....	B60F 5/02 D12/328
2011/0042507 A1 *	2/2011	Seiford, Sr. ....	B60F 5/02 244/2
2015/0028150 A1 *	1/2015	Klein .....	B64C 3/385 244/2

\* cited by examiner

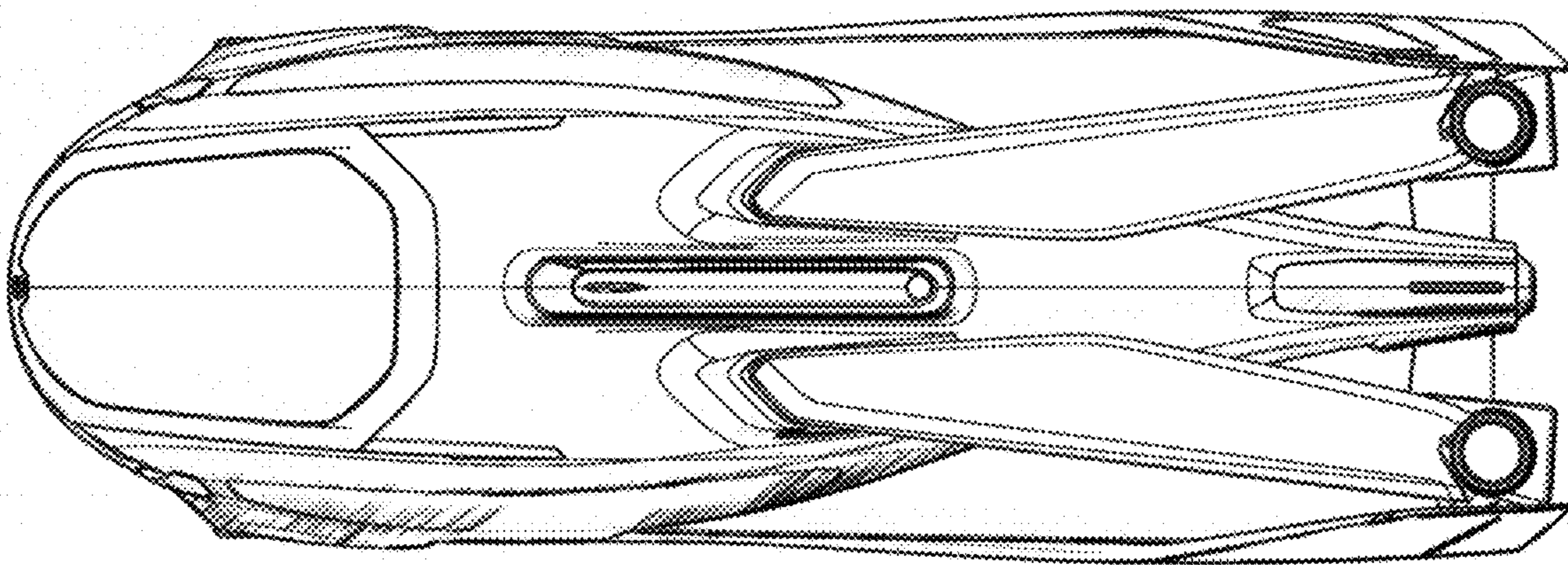
1.1



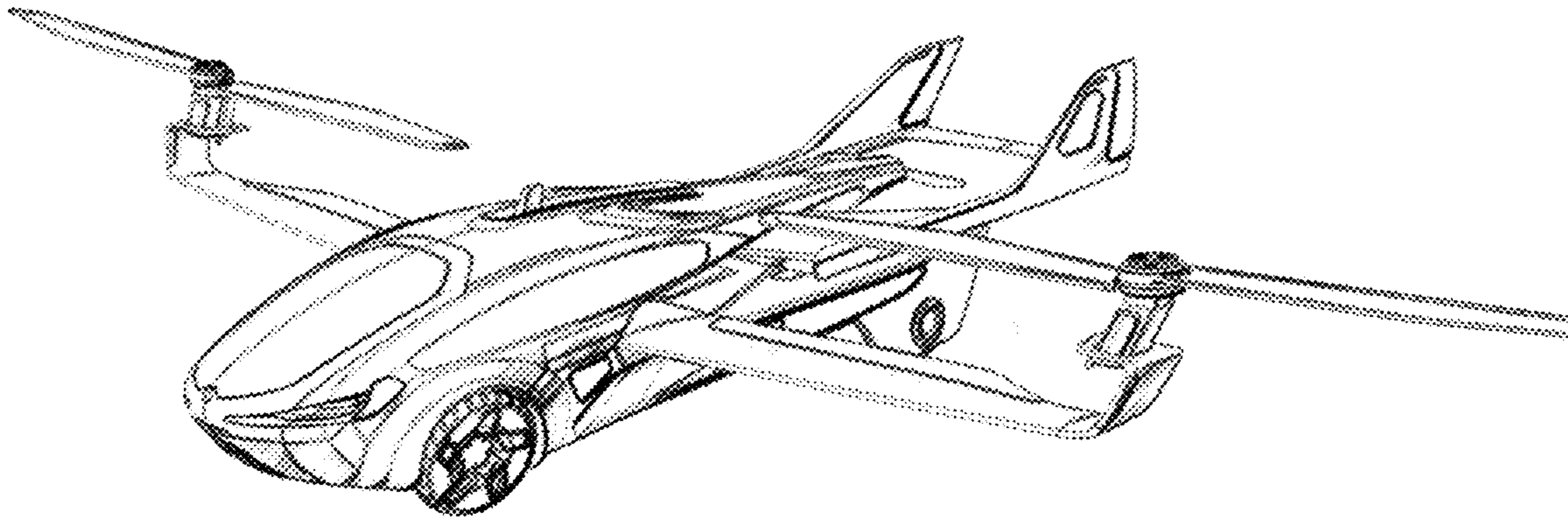
1.2

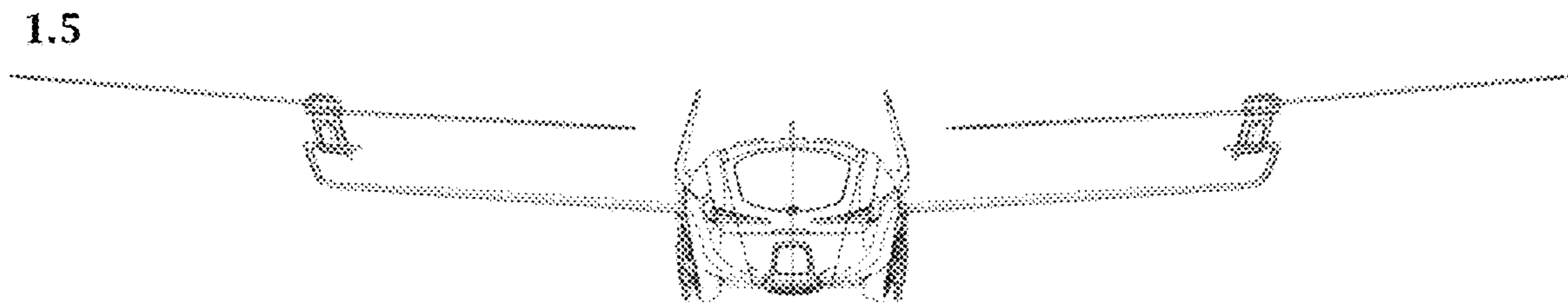


1.3

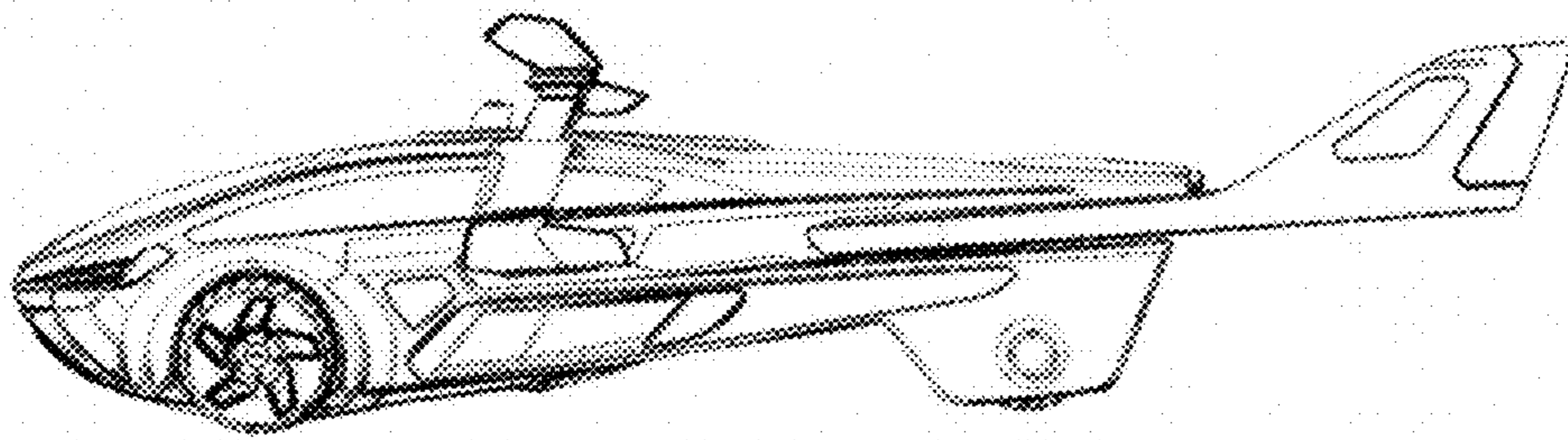


1.4



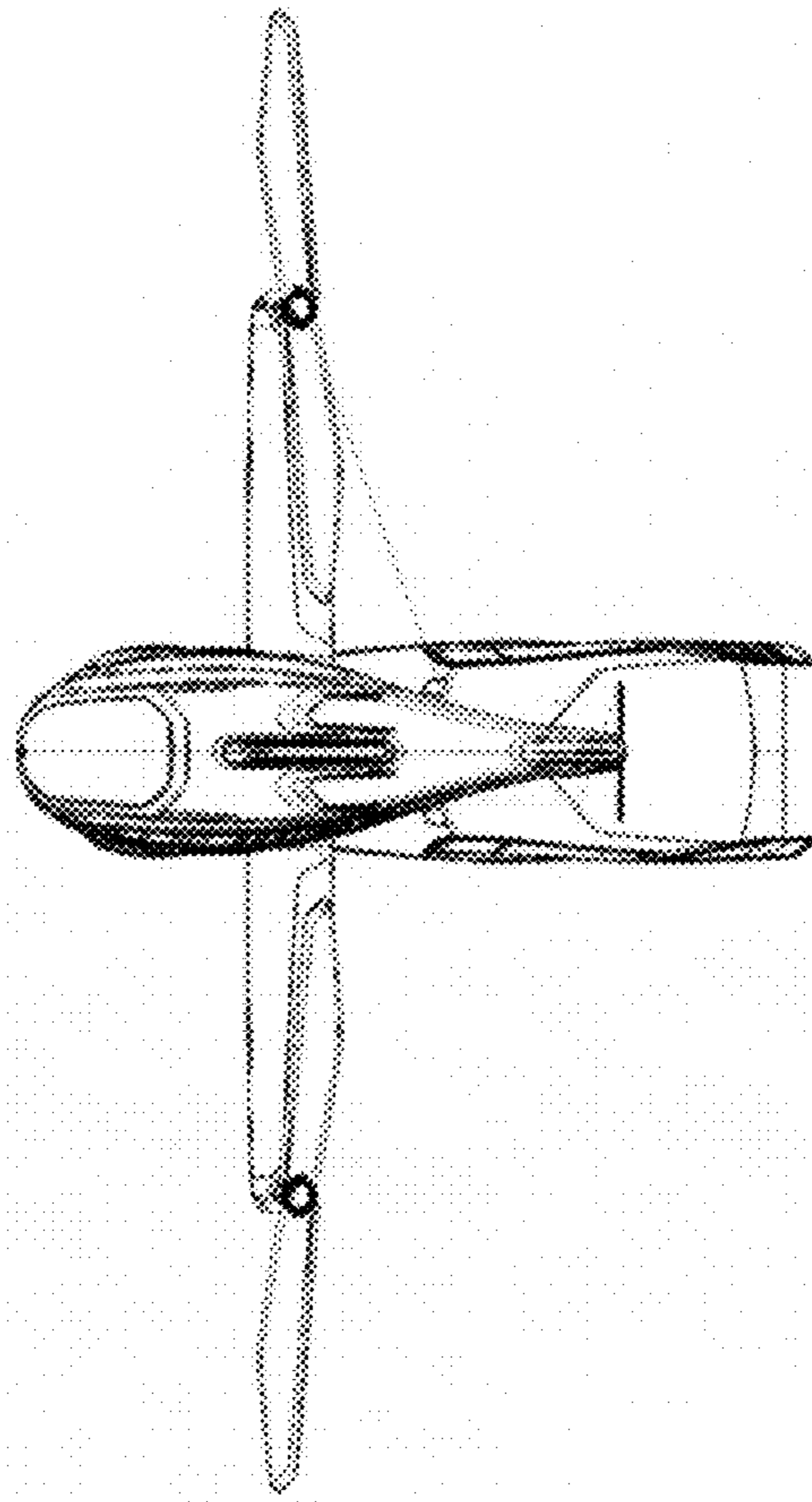


1.6

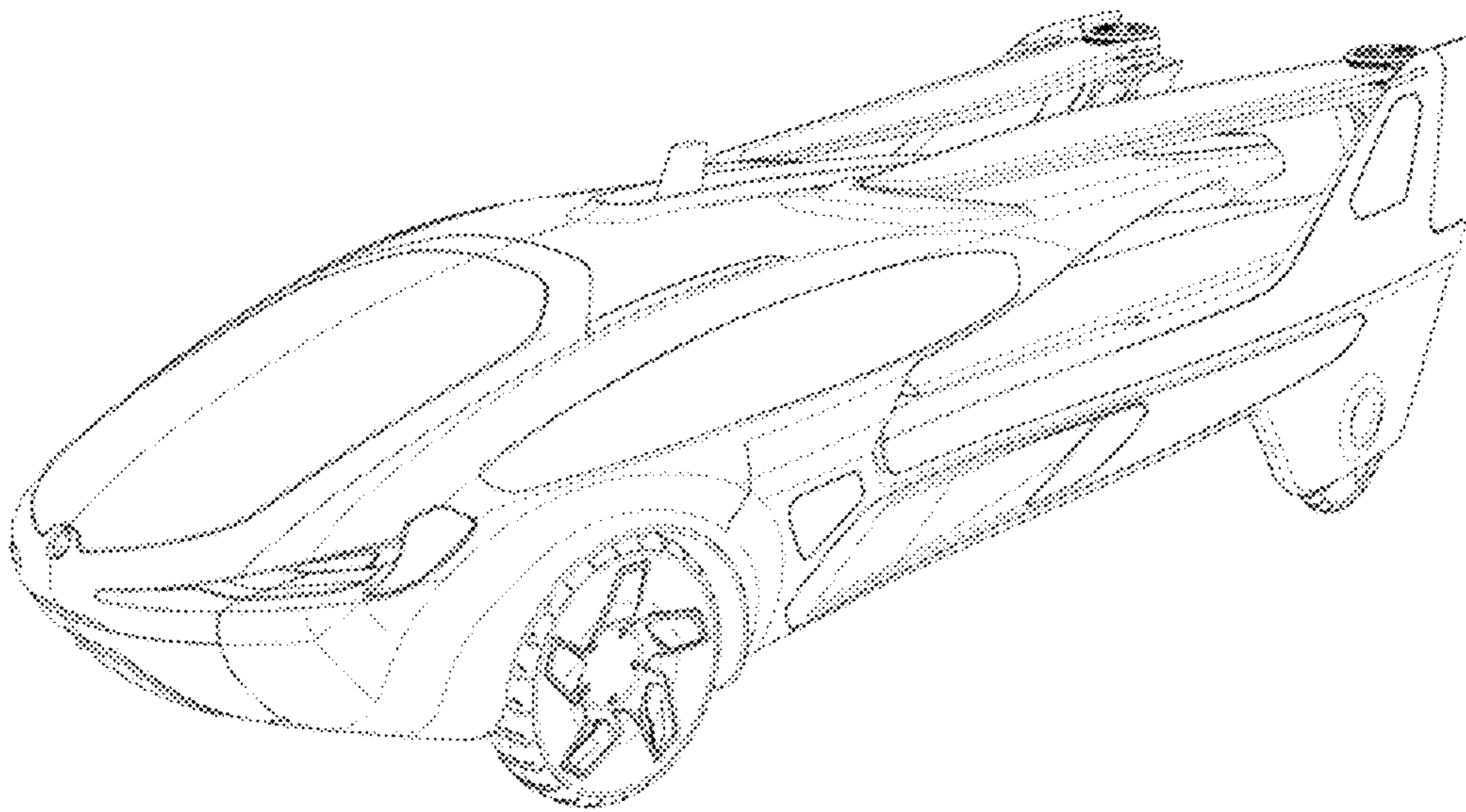




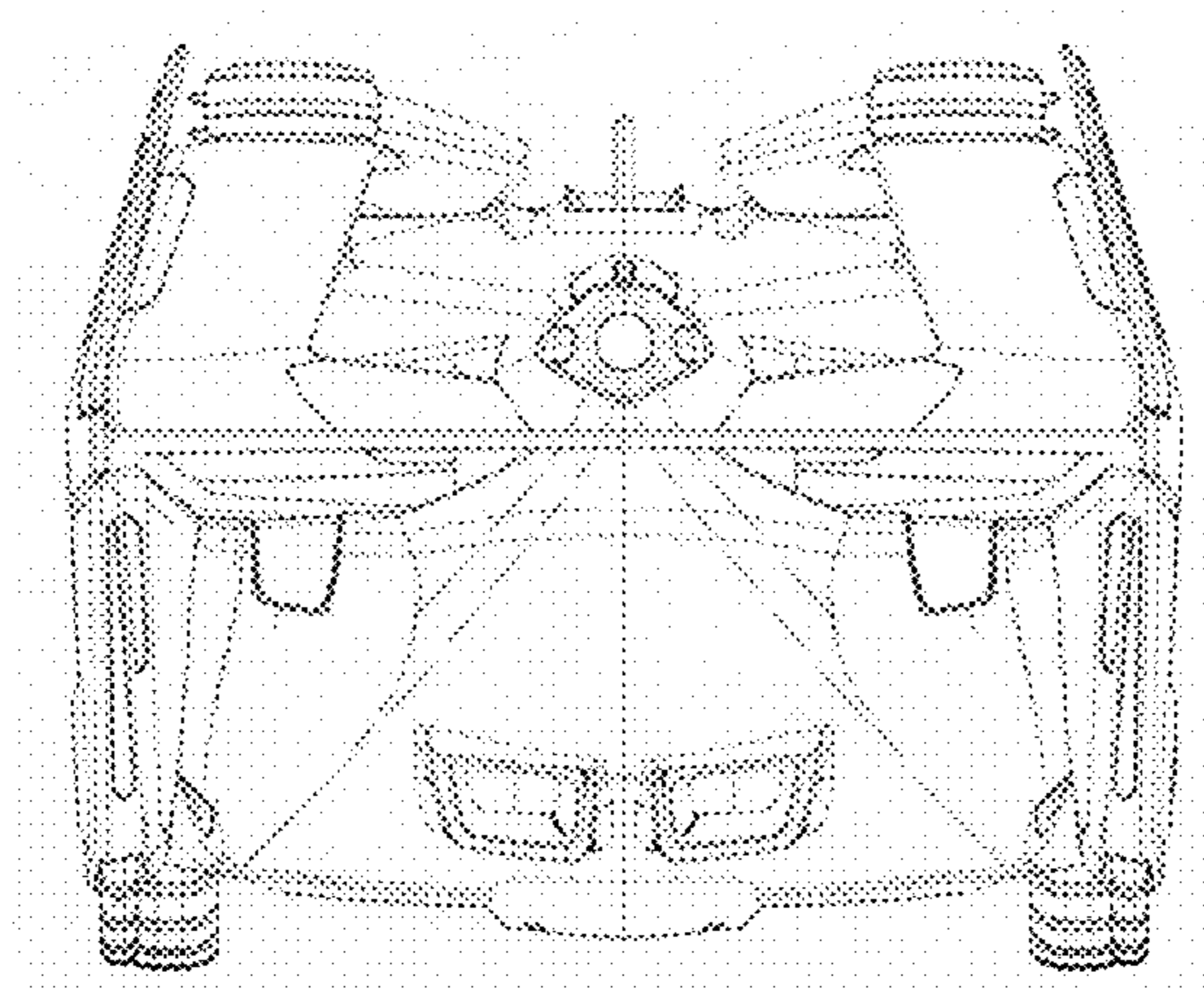
1.7



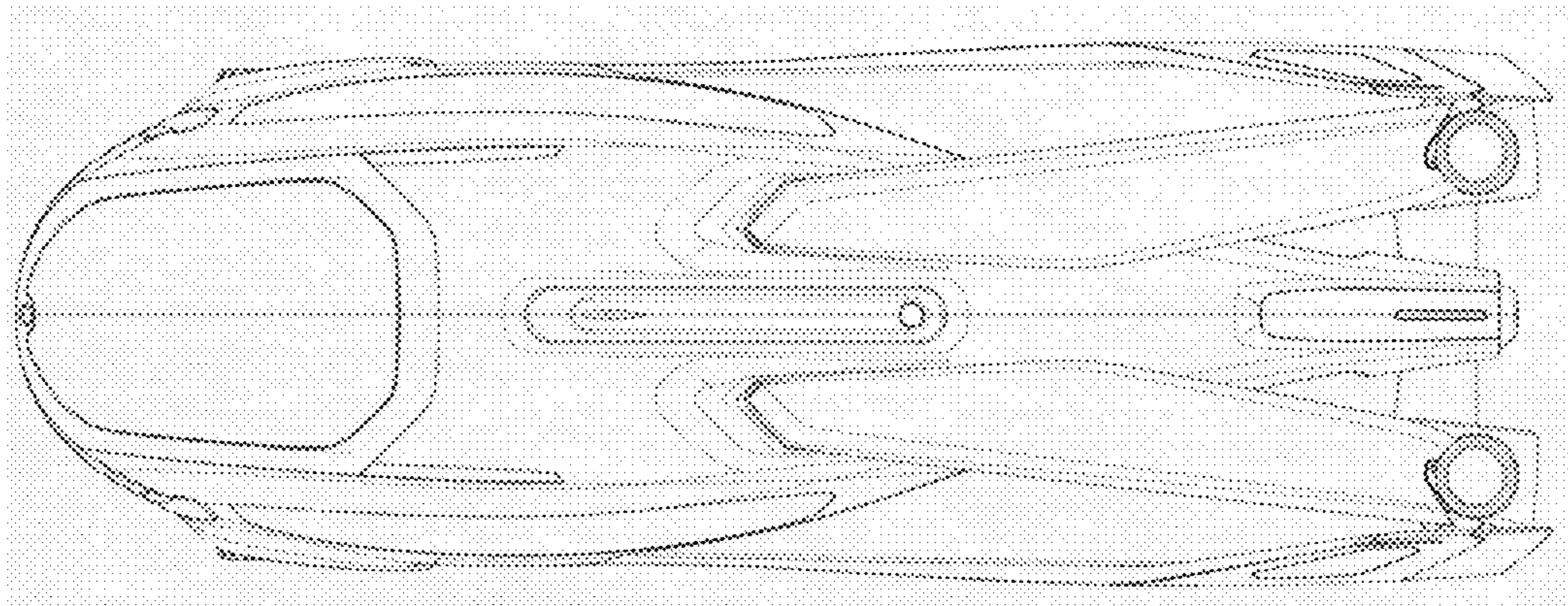
2.1



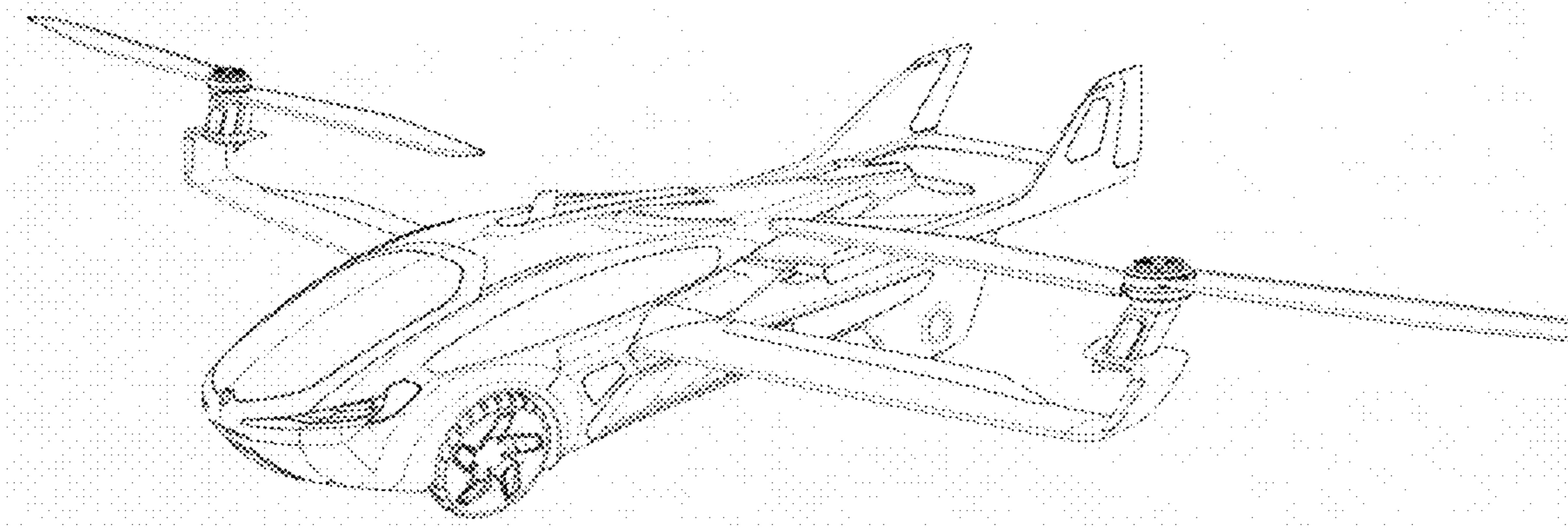
2.2

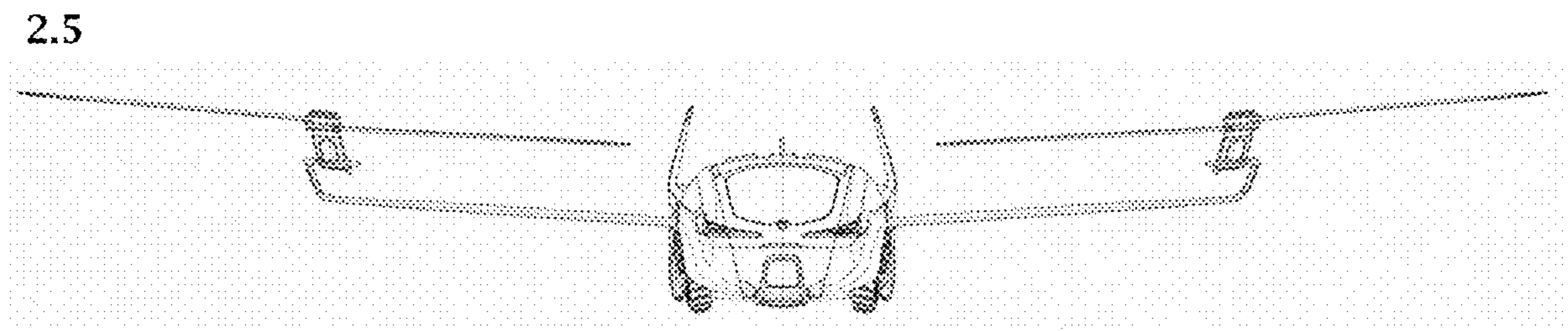


2.3

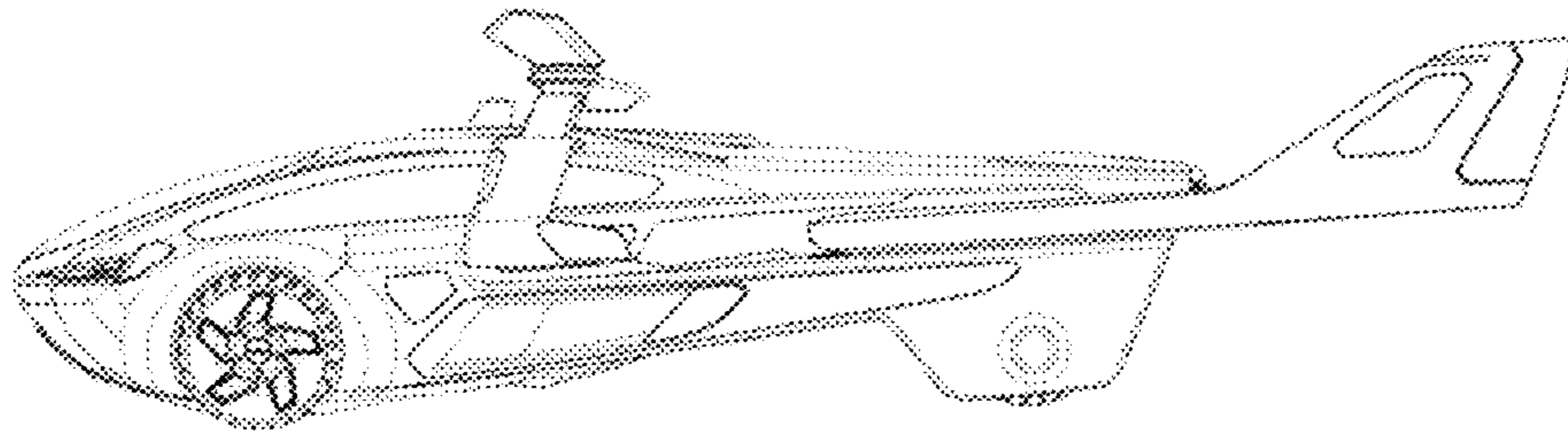


2.4

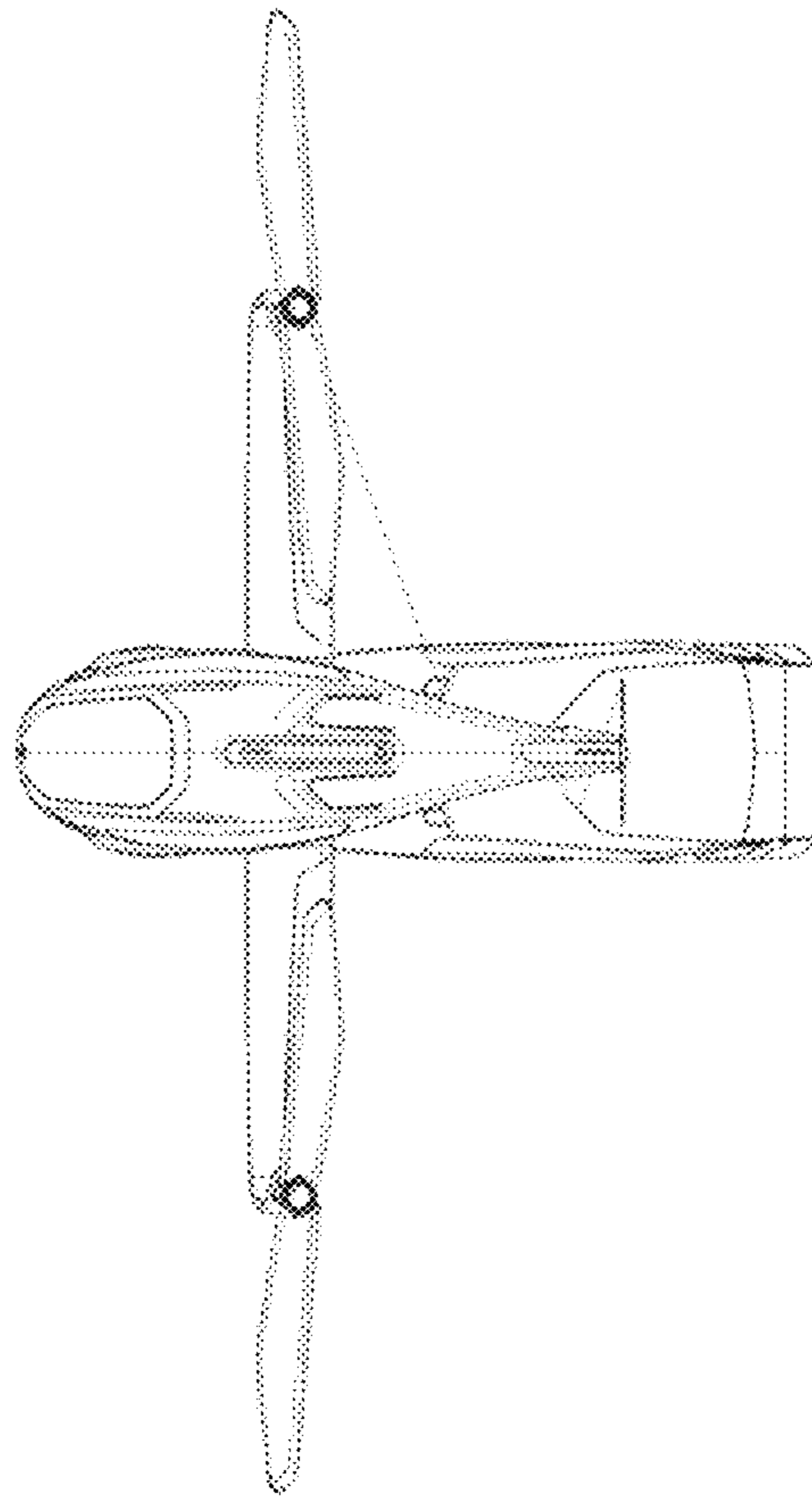




2.6

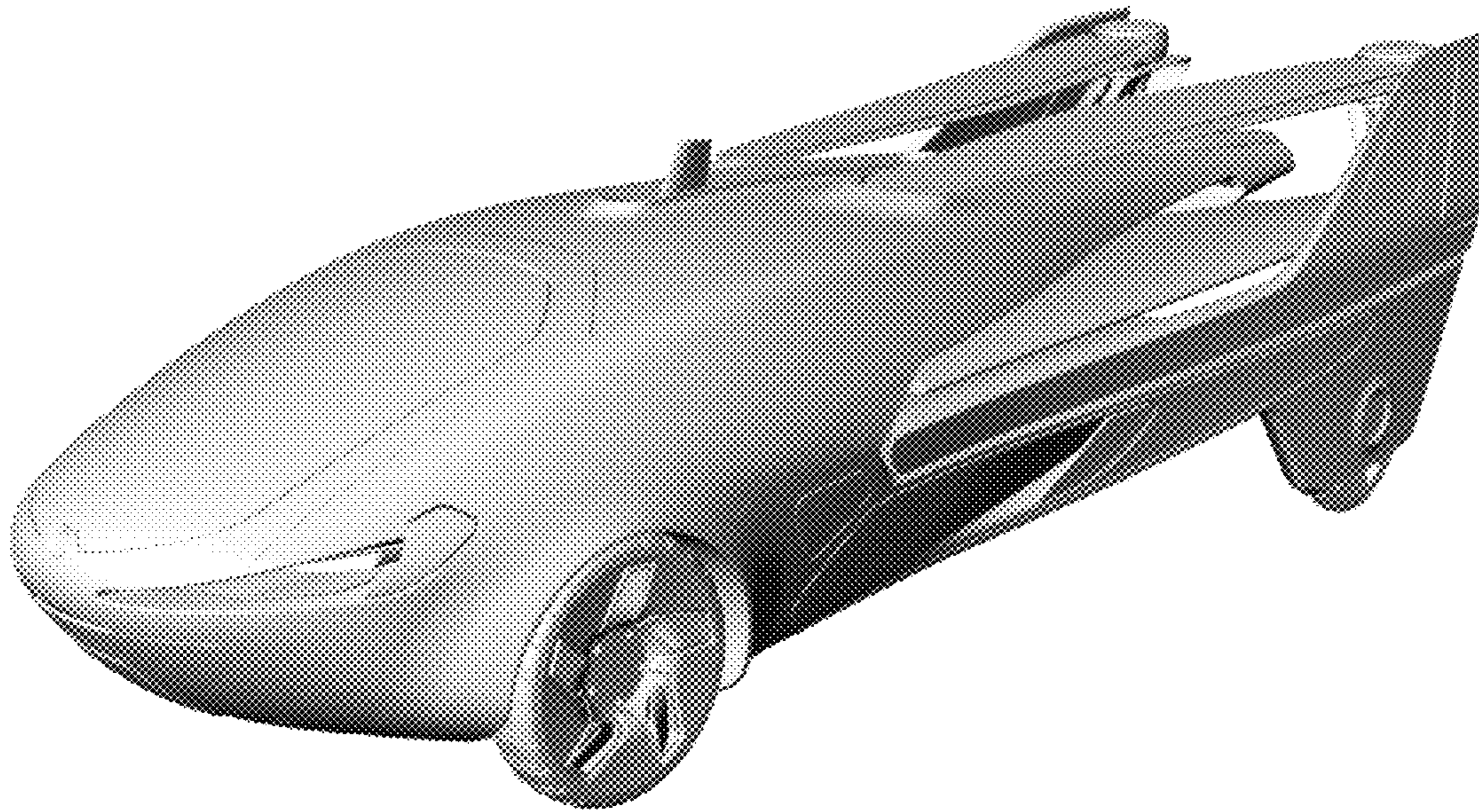


2.7

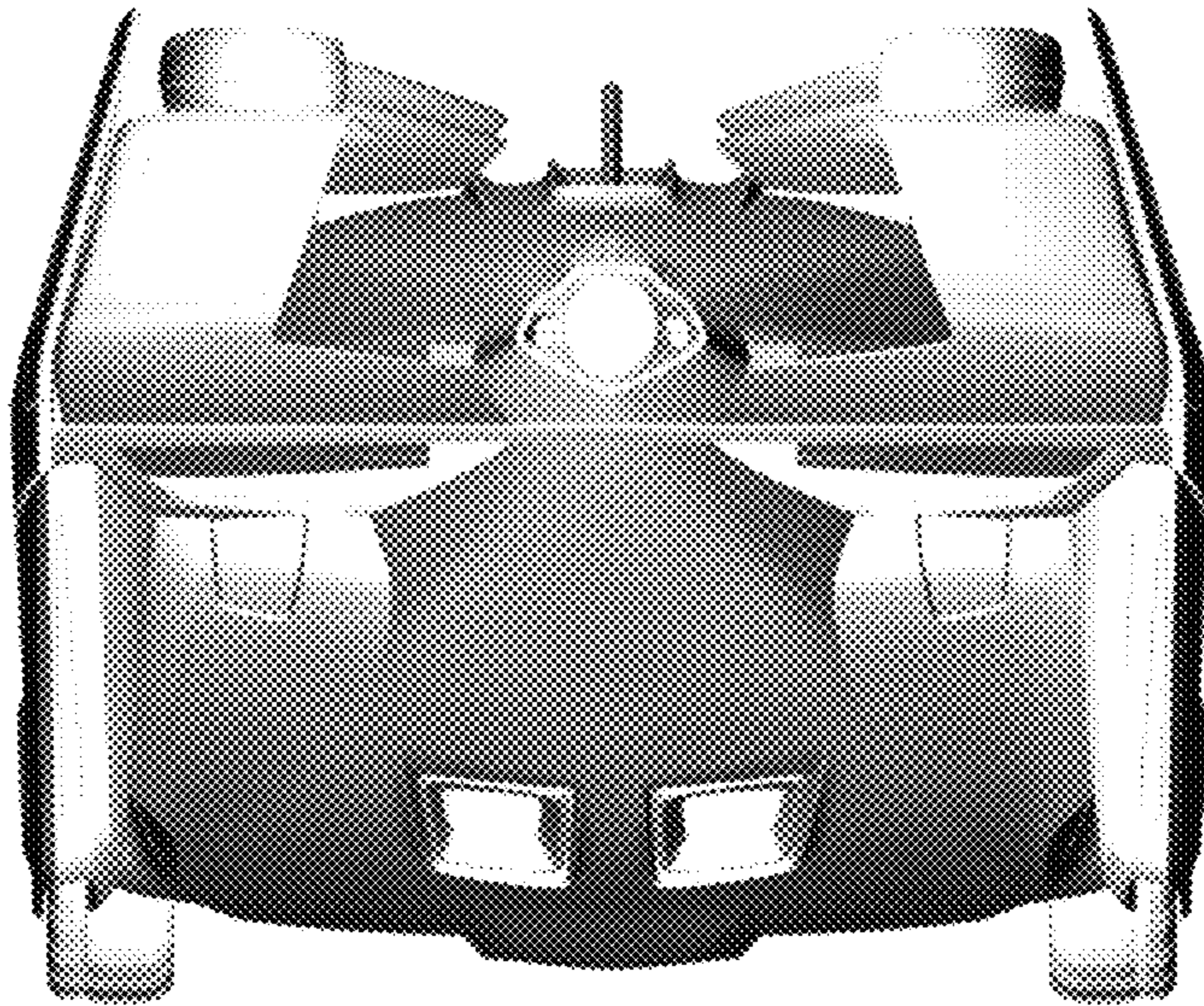




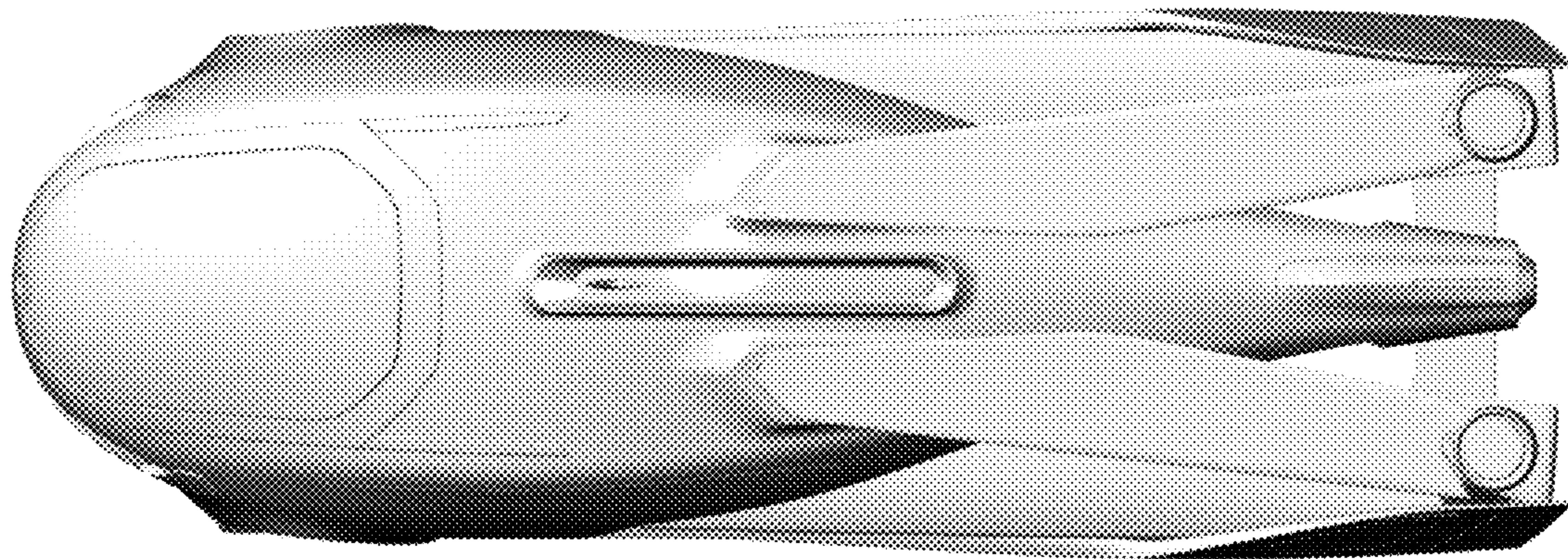
3.1



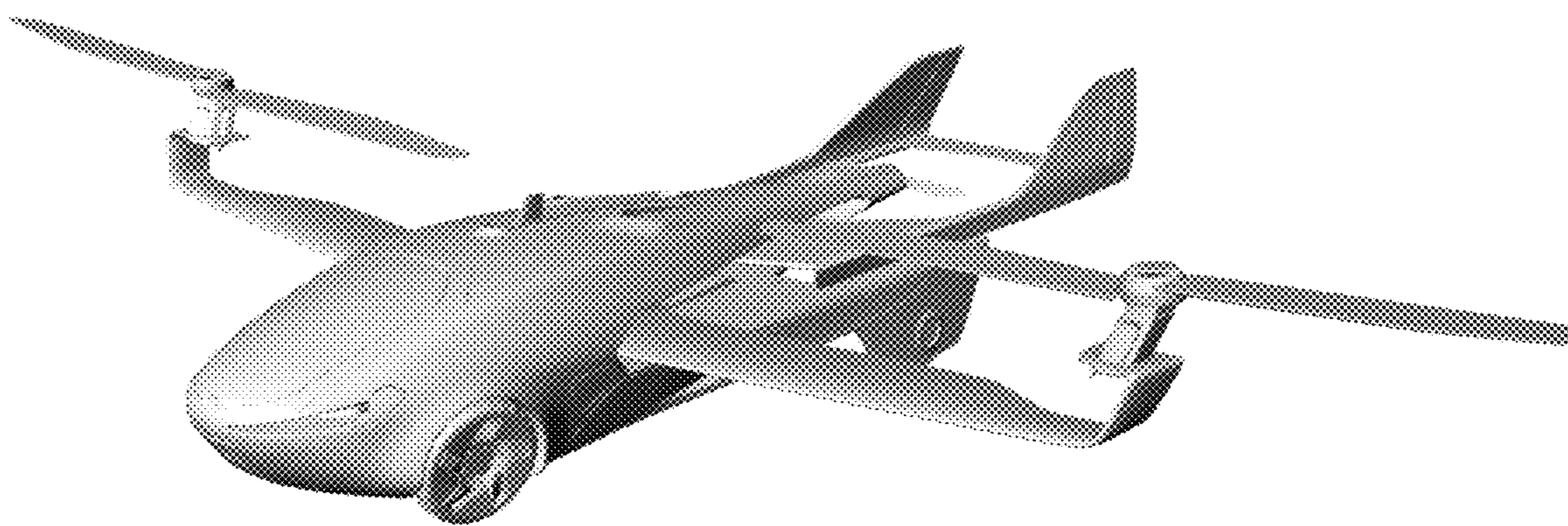
3.2



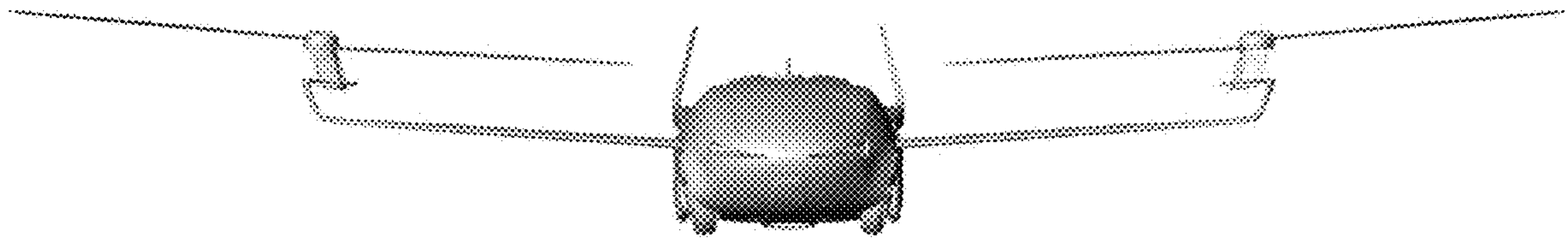
3.3



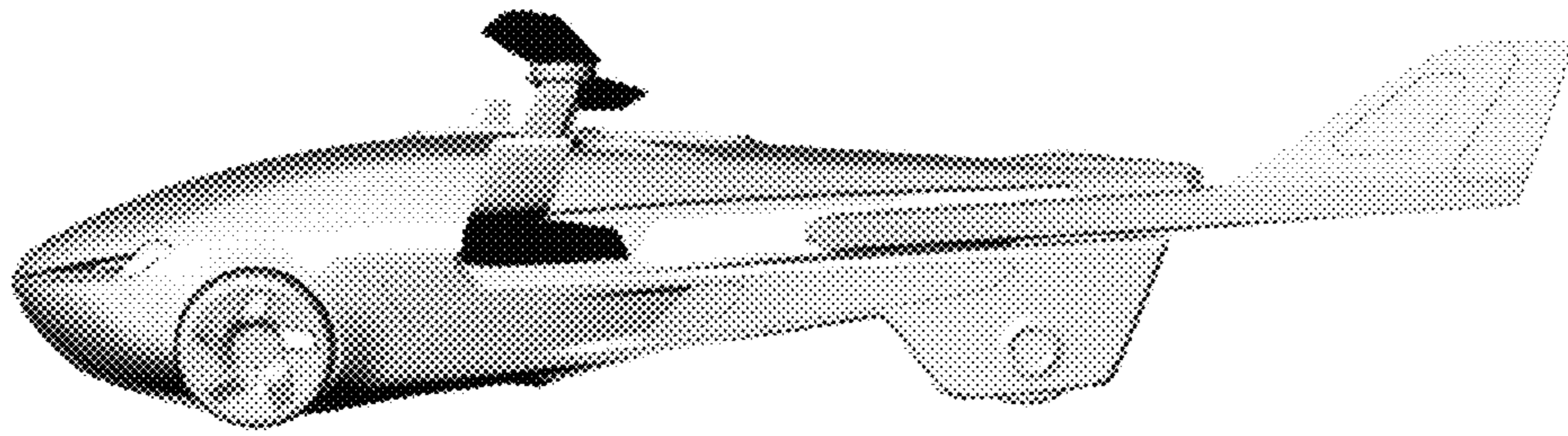
3.4



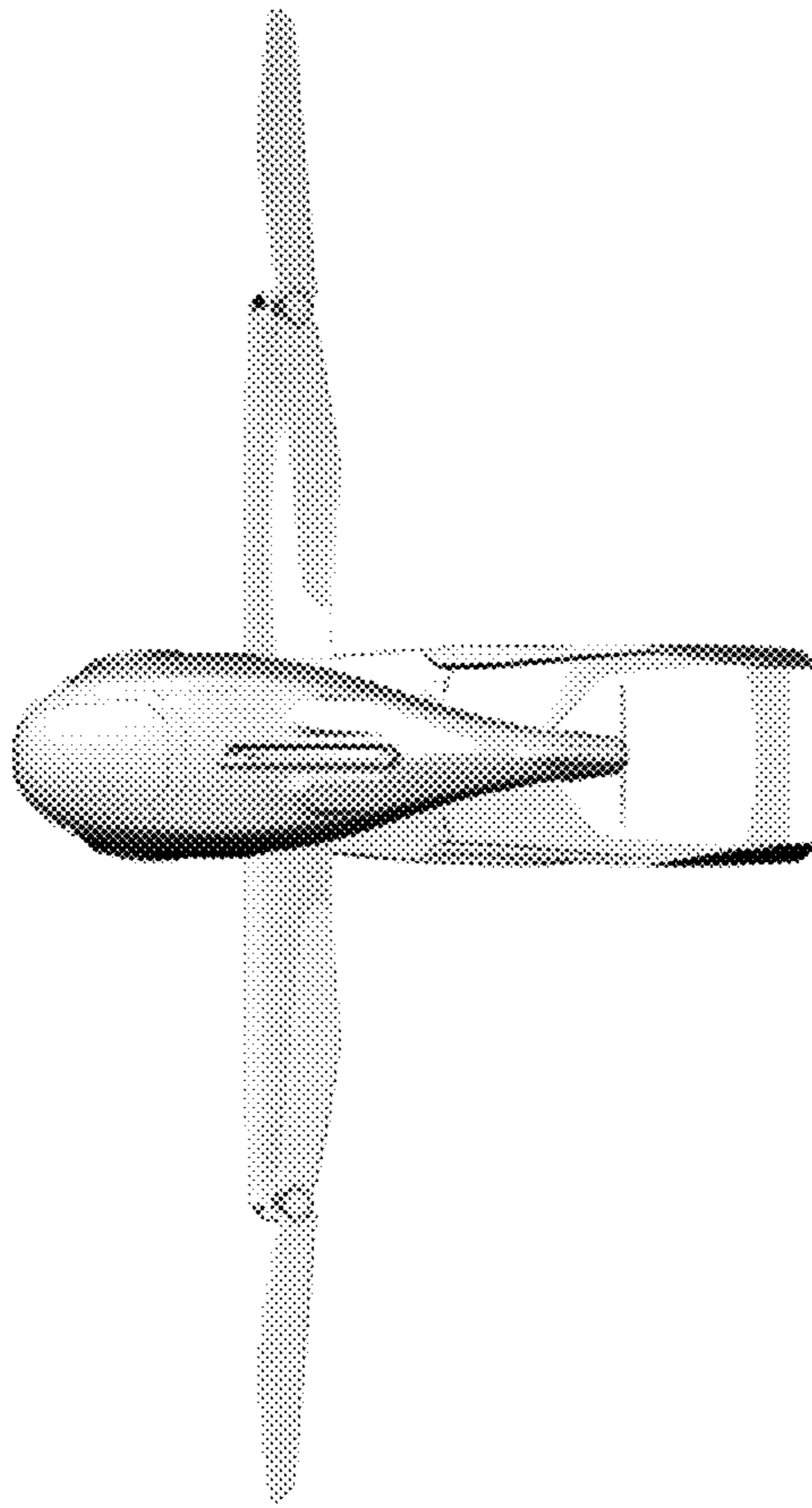
3.5



3.6



3.7



UNITED STATES PATENT AND TRADEMARK OFFICE  
**CERTIFICATE OF CORRECTION**

PATENT NO. : D859,209 S  
APPLICATION NO. : 35/505365  
DATED : September 10, 2019  
INVENTOR(S) : MacAndrew et al.

Page 1 of 3

It is certified that error appears in the above-identified patent and that said Letters Patent is hereby corrected as shown below:

On the Title Page

Below the Description, "1 Claim, 21 Drawings" should read --1 Claim, 7 Drawings-- as shown on the attached title page

In the Description, delete:

"1.1 : Perspective  
1.2 : Back  
1.3 : Top  
1.4 : Perspective  
1.5 : Front  
1.6 : Left  
1.7 : Top  
2.1 : Perspective  
2.2 : Back  
2.3 : Top  
2.4 : Perspective  
2.5 : Front  
2.6 : Left  
2.7 : Top"

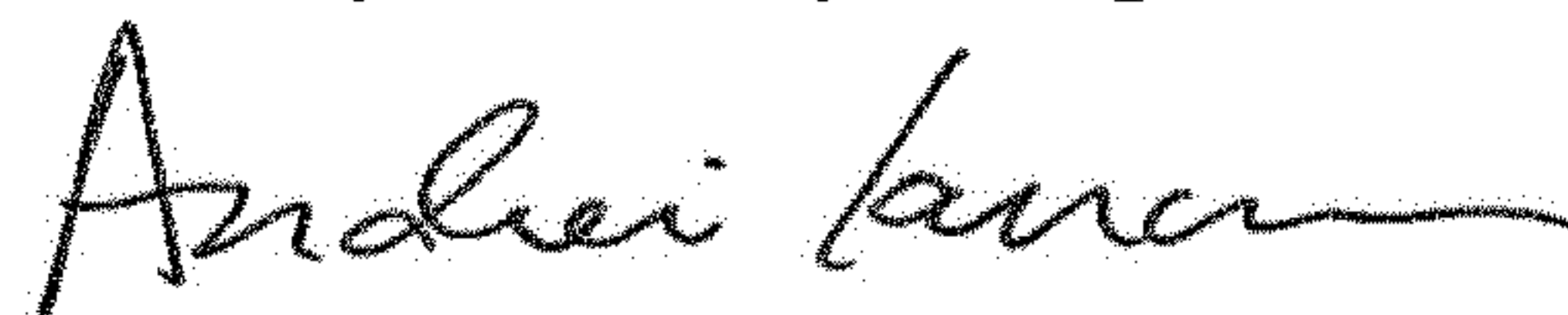
In the Drawings

On Sheet 1 of 21, delete Figure 1.1

On Sheet 2 of 21, delete Figure 1.2

On Sheet 3 of 21, delete Figure 1.3

Signed and Sealed this  
Twenty-first Day of April, 2020



Andrei Iancu  
Director of the United States Patent and Trademark Office



On Sheet 4 of 21, delete Figure 1.4

On Sheet 5 of 21, delete Figure 1.5

On Sheet 6 of 21, delete Figure 1.6

On Sheet 7 of 21, delete Figure 1.7

On Sheet 8 of 21, delete Figure 2.1

On Sheet 9 of 21, delete Figure 2.2

On Sheet 10 of 21, delete Figure 2.3

On Sheet 11 of 21, delete Figure 2.4

On Sheet 12 of 21, delete Figure 2.5

On Sheet 13 of 21, delete Figure 2.6

On Sheet 14 of 21, delete Figure 2.7

(12) **United States Design Patent** (10) **Patent No.:** **US D859,209 S**  
**MacAndrew et al.** (45) **Date of Patent:** **\*\* Sep. 10, 2019**

(54) **FLYING CAR** D239,522 S \* 4/1976 Wheatley ..... D12/335  
 5,417,386 A \* 5/1995 Wernicke ..... B60F 5/02  
 244/2  
 5,435,502 A \* 7/1995 Wernicke ..... B60F 5/02  
 244/199.4  
 D370,435 S \* 6/1996 Wernicke ..... D12/2  
 D620,392 S \* 7/2010 Rodriguez ..... B60F 5/02  
 D12/3  
 D713,774 S \* 9/2014 Tritschler ..... B60F 5/02  
 D12/3

(71) Applicant: **AEROMOBIL R&D, S. R. O.**,  
 Bratislava (SK)  
 (72) Inventors: **Kenneth Douglas Alexander**  
**MacAndrew**, Bratislava-Záhorská  
 Bystrica (SK); **Tomás Urik**,  
 Sastin-Stráže (SK); **Adam Danko**,  
 Stupava (SK)

(\*\*) Term: **15 Years**

*Primary Examiner* — George D. Kirschbaum  
*Assistant Examiner* — Joseph J Kukella

(21) Appl. No.: **35/505,365**

(57) **CLAIM**

(22) Filed: **Mar. 16, 2018**

The ornamental design for a flying car, as shown and described.

(80) **Hague Agreement Data**

Int. Filing Date: **Mar. 16, 2018**  
 Int. Reg. No.: **DM/101985**  
 Int. Reg. Date: **Mar. 16, 2018**  
 Int. Reg. Pub. Date: **Jul. 27, 2018**

**DESCRIPTION**

(30) **Foreign Application Priority Data**

Sep. 18, 2017 (EM) ..... 004360360

(51) **LOC (12) Cl.** ..... **12-07**

(52) **U.S. Cl.**  
 USPC ..... **D12/4**

(58) **Field of Classification Search**  
 USPC ..... D12/1-4, 326-345  
 CPC ..... B60F 5/02; B64C 37/00; B64C 29/0025;  
 B64C 29/0033; B64C 27/22; B64C 27/24;  
 B64C 27/26; B64C 27/28  
 See application file for complete search history.

- 1.-3. Flying car
- 1.1 : Perspective
- 1.2 : Back
- 1.3 : Top
- 1.4 : Perspective
- 1.5 : Front
- 1.6 : Left
- 1.7 : Top
- 2.1 : Perspective
- 2.2 : Back
- 2.3 : Top
- 2.4 : Perspective
- 2.5 : Front
- 2.6 : Left
- 2.7 : Top
- 3.1 : Perspective
- 3.2 : Back
- 3.3 : Top
- 3.4 : Perspective
- 3.5 : Front
- 3.6 : Left
- 3.7 : Top

(56) **References Cited**

**U.S. PATENT DOCUMENTS**

D163,722 S \* 6/1951 Vinje ..... 244/2  
 2,674,422 A \* 4/1954 Pellarini ..... B60F 5/02  
 244/49  
 D221,260 S \* 7/1971 Smolinski ..... D12/335

**1 Claim, 7 Drawing Sheets**

