



US00D859204S

(12) **United States Design Patent**
Brett

(10) **Patent No.:** **US D859,204 S**

(45) **Date of Patent:** **** Sep. 10, 2019**

(54) **JEWELRY CLASP ASSISTING DEVICE**

(71) Applicant: **Alison Brett**, Toronto (CA)

(72) Inventor: **Alison Brett**, Toronto (CA)

(**) Term: **15 Years**

(21) Appl. No.: **29/649,398**

(22) Filed: **May 30, 2018**

(51) **LOC (12) Cl.** **11-01**

(52) **U.S. Cl.**
USPC **D11/87**

(58) **Field of Classification Search**

USPC D11/1-2, 7, 40-44, 46-49, 53, 56, 57,
D11/59-61, 63, 65, 79-83, 86-87, 89-92,
D11/99, 101, 106, 114-116, 200-201
CPC A44C 5/00; A44C 5/0007; A44C 5/0061;
A44C 5/14; A44C 5/18; A44C 5/185;
A44C 5/20

See application file for complete search history.

(56) **References Cited**

U.S. PATENT DOCUMENTS

D466,433 S * 12/2002 Goto D11/87
D660,138 S * 5/2012 Gallagher, Jr. D11/87

D673,071 S * 12/2012 McKinnon D11/87
D741,740 S * 10/2015 DiPietro D11/87
D744,369 S * 12/2015 Blanton D11/87
D744,892 S * 12/2015 Wolos D11/87

* cited by examiner

Primary Examiner — Zenia I Bennett

(74) *Attorney, Agent, or Firm* — Heer Law; Christopher D. Heer

(57) **CLAIM**

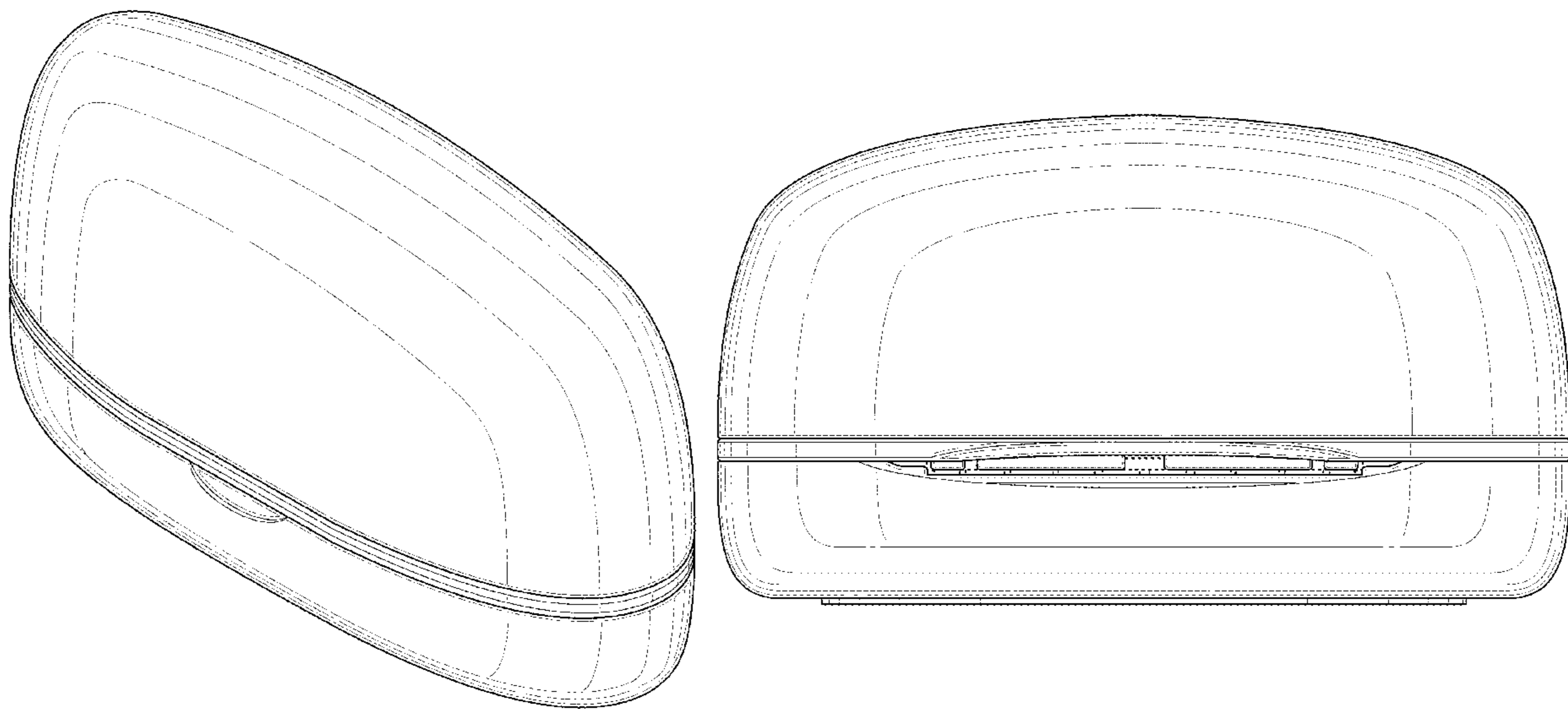
The ornamental design for a jewelry clasp assisting device, as shown and described.

DESCRIPTION

FIG. 1 is a perspective view of the jewelry clasp assisting device showing my new design; FIG. 2 is a front elevation view thereof; FIG. 3 is a rear elevation view thereof; FIG. 4 is a right elevation view thereof; FIG. 5 is a left elevation view thereof; FIG. 6 is a top plan view thereof; and, FIG. 7 is a bottom plan view thereof.

The broken lines depicting the internal features of the claimed design in the drawing are for illustrative purposes only and form no part of the claimed design.

1 Claim, 5 Drawing Sheets



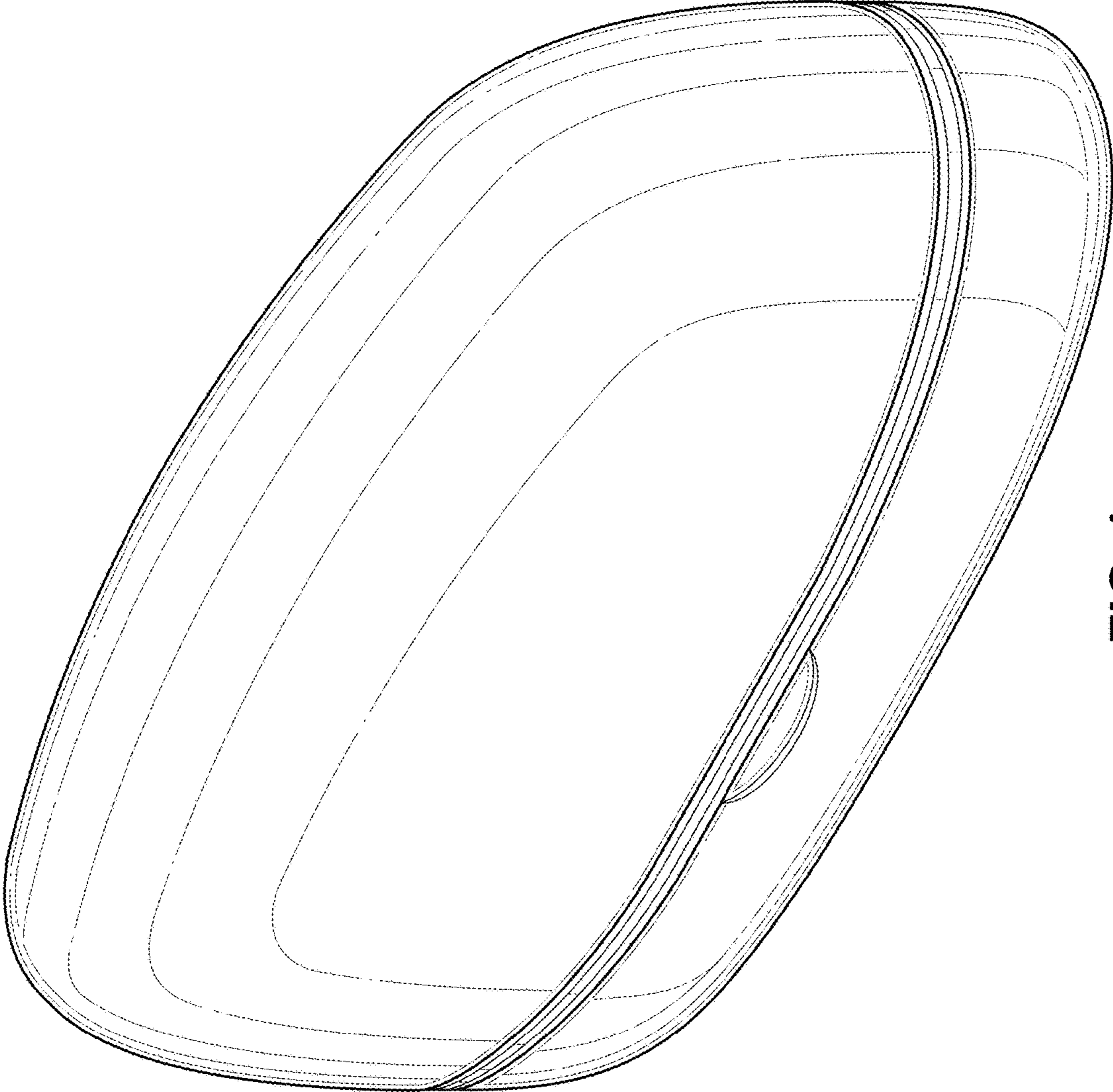


FIG. 1

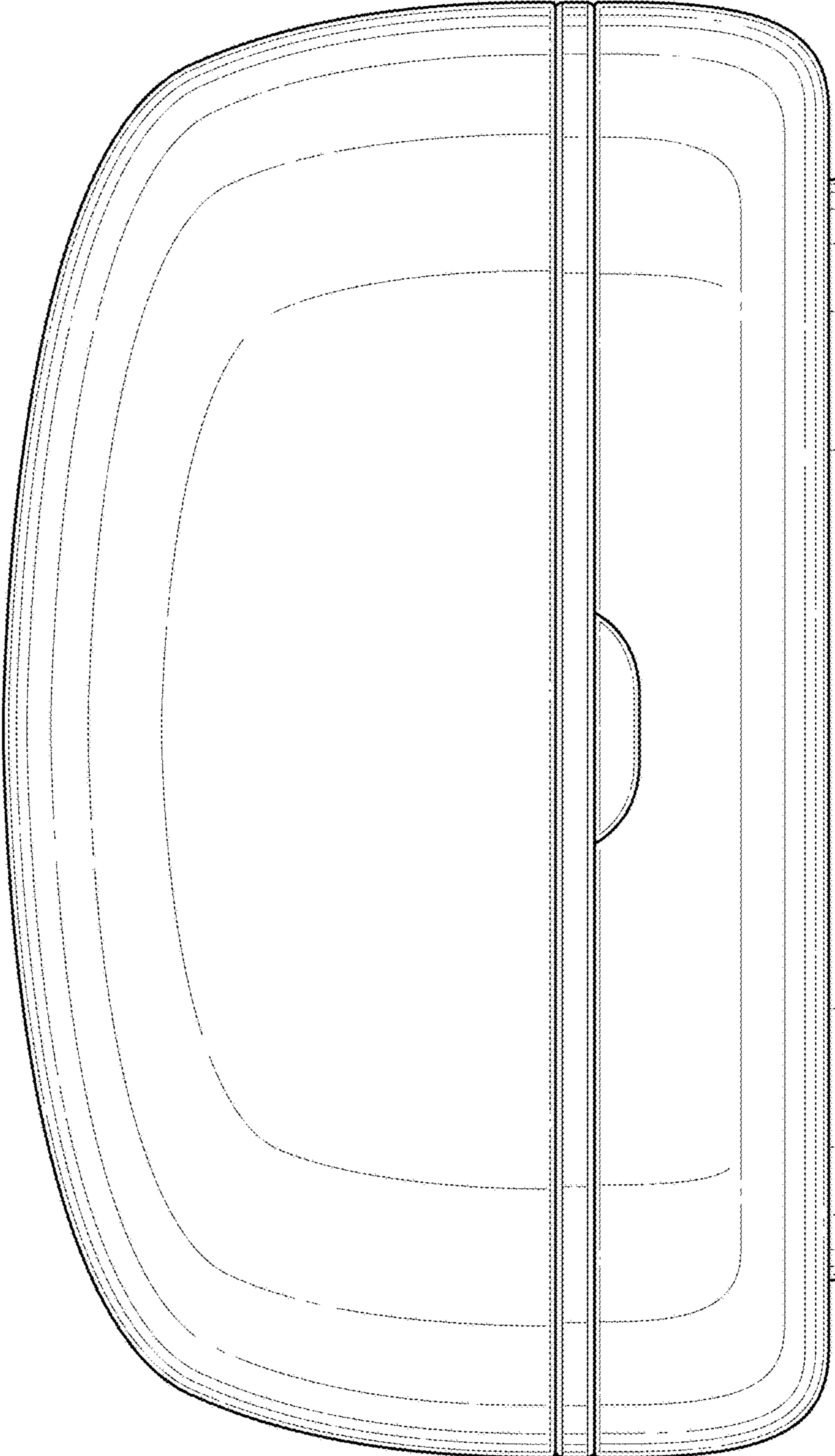


FIG. 2

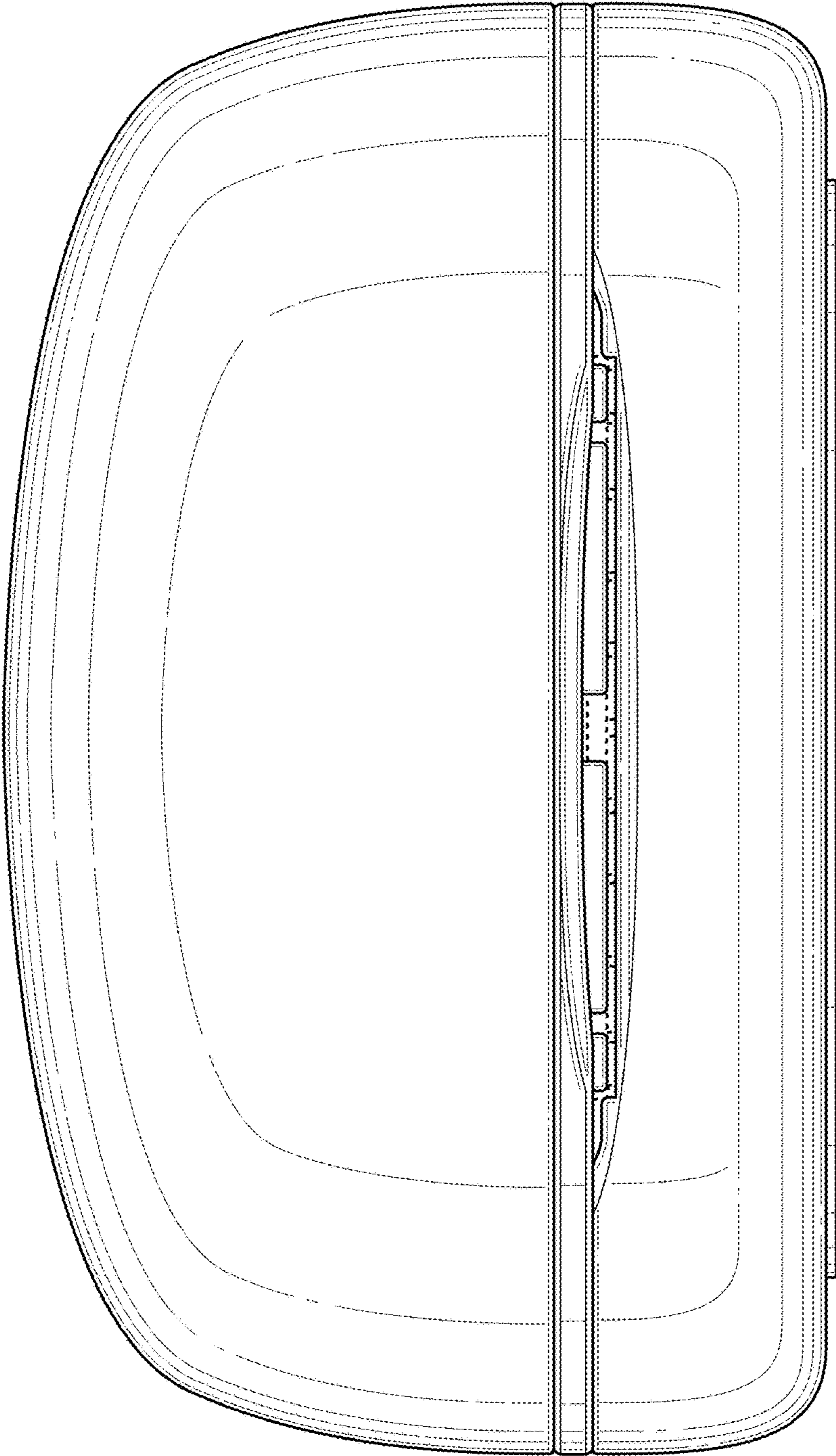


FIG. 3

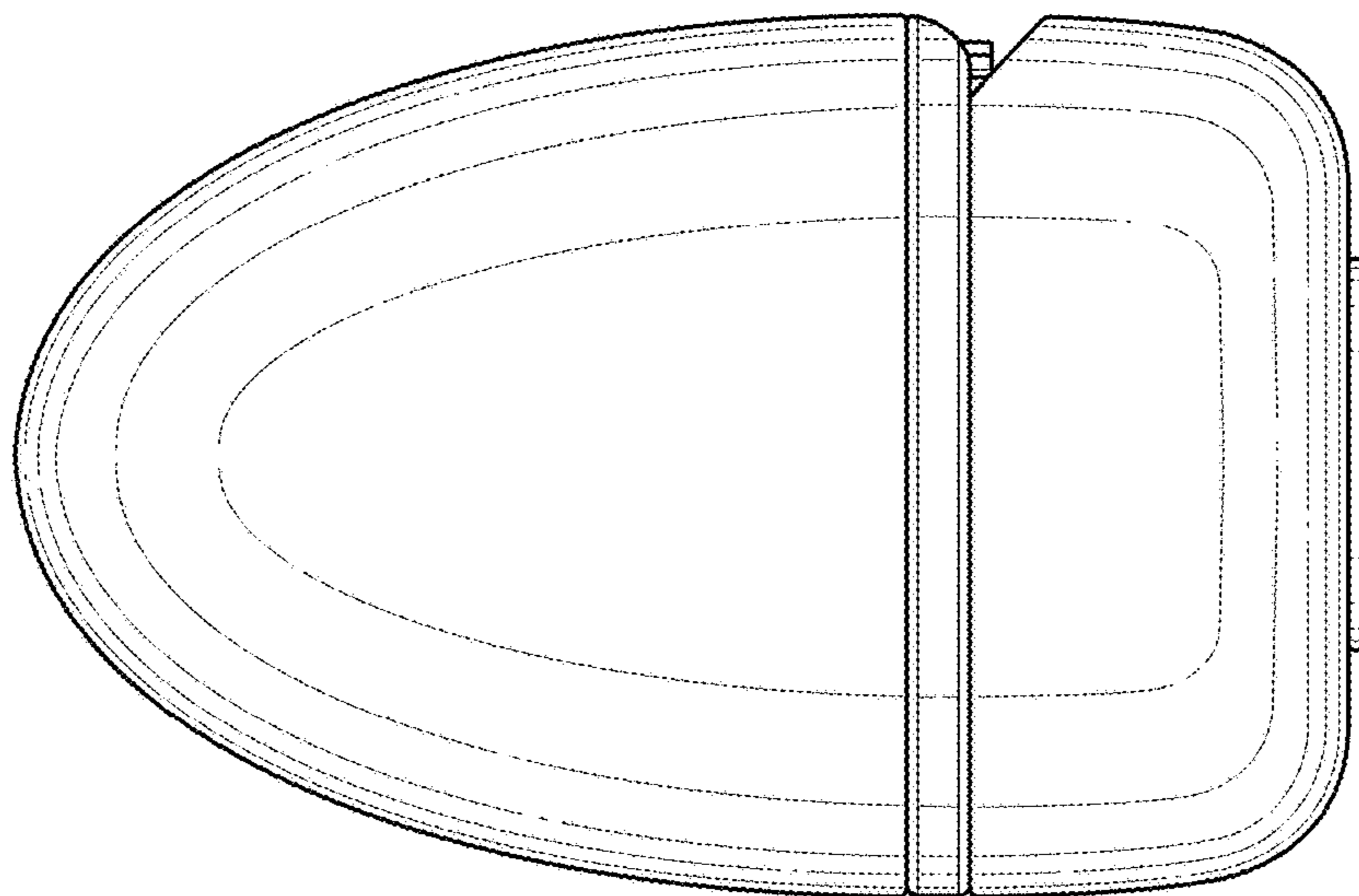


FIG. 5

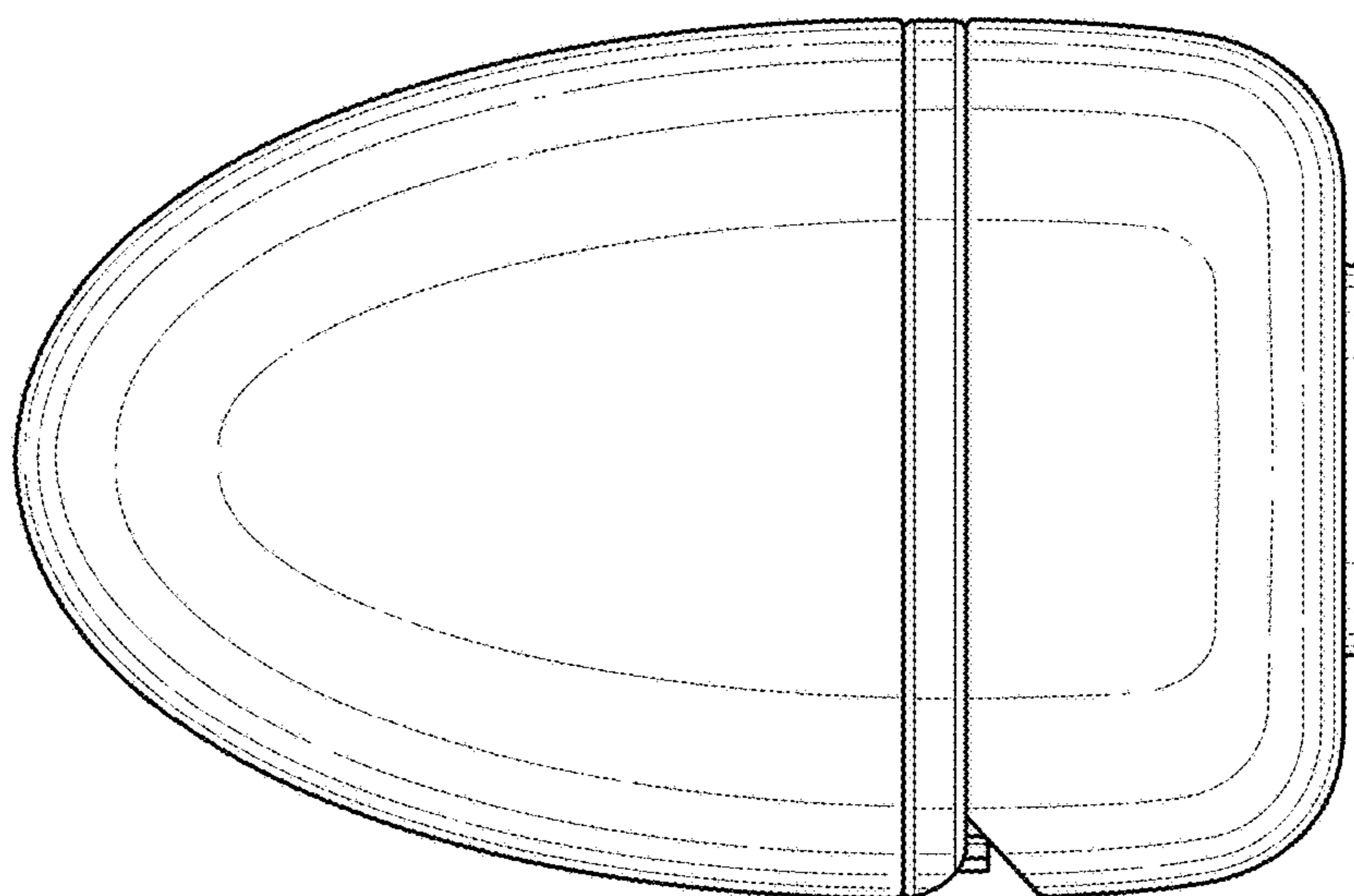


FIG. 4

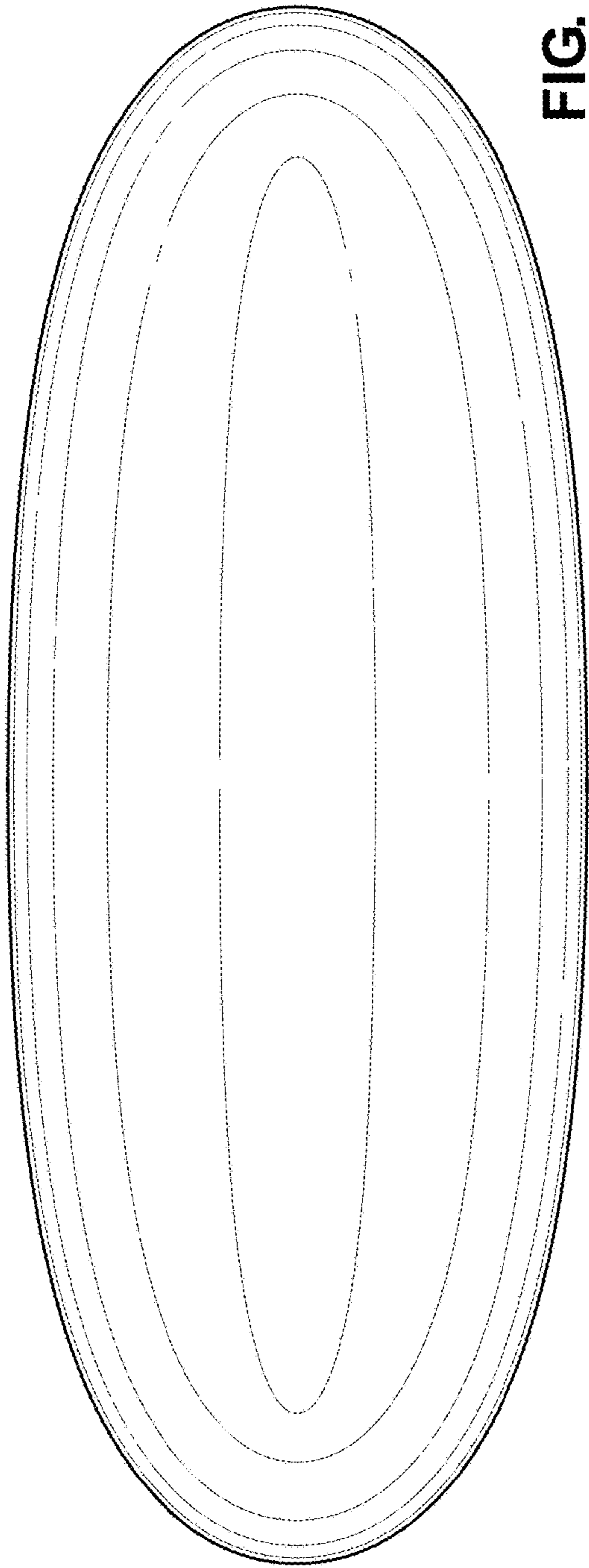


FIG. 6

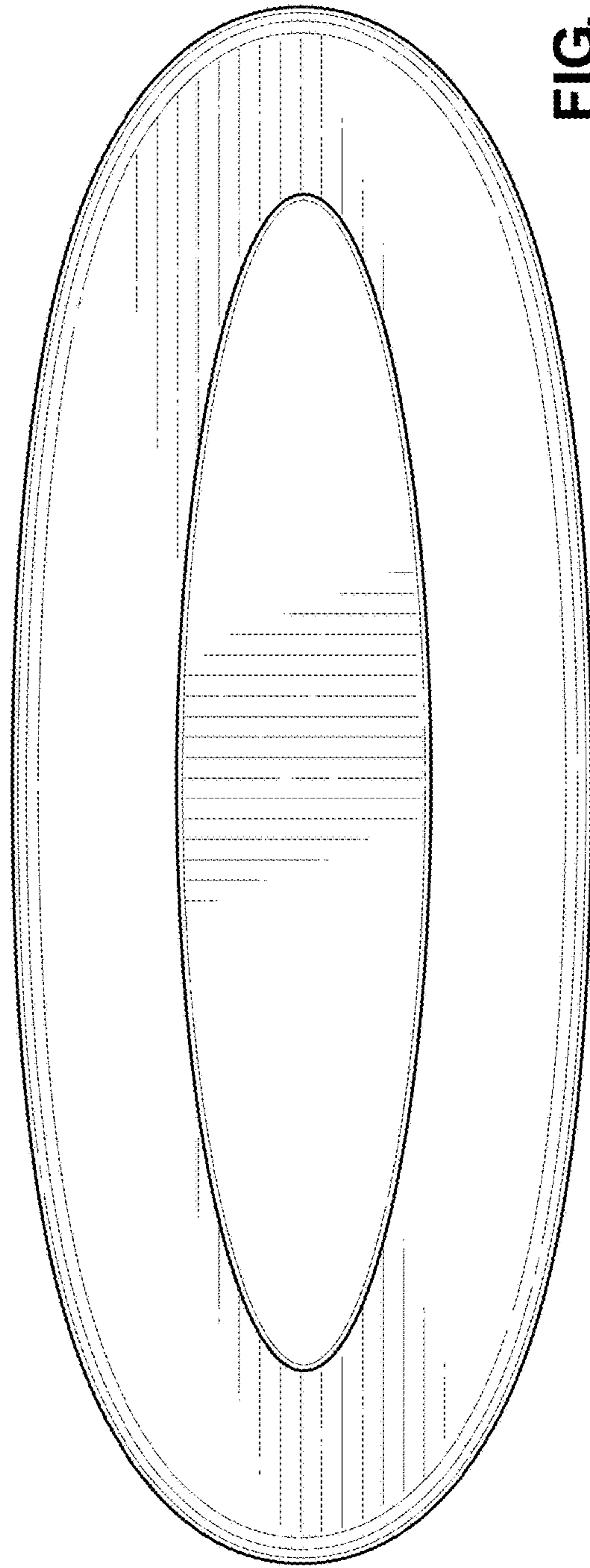


FIG. 7