



US00D859201S

(12) **United States Design Patent** (10) **Patent No.:** **US D859,201 S**
Akana et al. (45) **Date of Patent:** **** Sep. 10, 2019**

(54) **BAND**

(71) Applicant: **Apple Inc.**, Cupertino, CA (US)

(72) Inventors: **Jody Akana**, San Francisco, CA (US);
Bartley K. Andre, Palo Alto, CA (US);
Shota Aoyagi, San Francisco, CA (US);
Anthony Michael Ashcroft, San Francisco, CA (US);
Jeremy Bataillou, San Francisco, CA (US);
Daniel J. Coster, San Francisco, CA (US);
Daniele De Iuliis, San Francisco, CA (US);
M. Evans Hankey, San Francisco, CA (US);
Julian Hoenig, San Francisco, CA (US);
Richard P. Howarth, San Francisco, CA (US);
Jonathan P. Ive, San Francisco, CA (US);
Duncan Robert Kerr, San Francisco, CA (US);
Marc A. Newson, London (GB);
Matthew Dean Rohrbach, San Francisco, CA (US);
Peter Russell-Clarke, San Francisco, CA (US);
Benjamin Andrew Shaffer, San Jose, CA (US);
Mikael Silvano, San Francisco, CA (US);
Christopher J. Stringer, Woodside, CA (US);
Eugene Antony Whang, San Francisco, CA (US);
Rico Zörkendörfer, San Francisco, CA (US)

(73) Assignee: **Apple Inc.**, Cupertino, CA (US)

(**) Term: **15 Years**

(21) Appl. No.: **29/676,400**

(22) Filed: **Jan. 10, 2019**

Related U.S. Application Data

(63) Continuation of application No. 29/595,106, filed on Feb. 24, 2017, which is a continuation of application No. 29/519,674, filed on Mar. 6, 2015, now Pat. No.

Des. 780,059, which is a continuation of application No. 29/498,995, filed on Aug. 11, 2014, now Pat. No. Des. 724,469.

(51) **LOC (12) CI.** **11-01**

(52) **U.S. CI.**
USPC **D11/3**

(58) **Field of Classification Search**

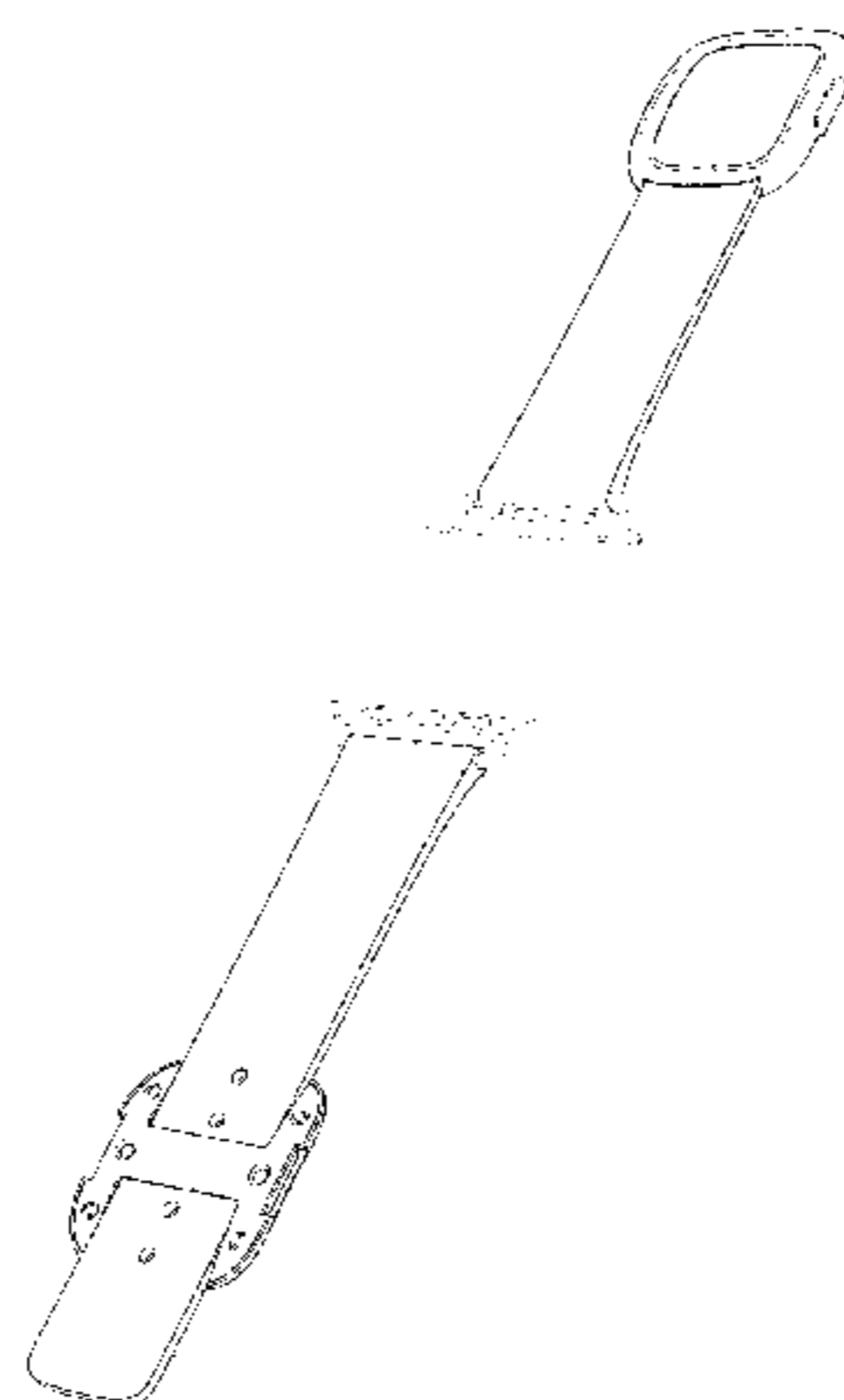
USPC D11/1-25, 86, 93, 94; D10/30-39, 70, D10/46; 24/456, 574.1; 600/301; 224/164, 175; 368/276, 281, 282, 285
CPC G04B 37/1486; G04B 37/16; G04B 37/18; A44C 5/14; A44C 5/0053; A44C 5/0069; A44C 5/0076; A44C 5/00; A44C 5/0007; A44C 5/0015; A44C 5/0023; A44C 5/003; A44C 5/0061; A44C 5/12; A44C 5/147; A44C 5/18; A44C 5/185

See application file for complete search history.

(56) **References Cited**

U.S. PATENT DOCUMENTS

482,289 A	9/1892	Ziegler	
505,473 A	9/1893	Mehring	
1,712,734 A	5/1929	Kraemer	
2,280,490 A	4/1942	Keltie	
D152,491 S	1/1949	Osier	
D163,987 S	7/1951	Barre	
3,030,686 A	4/1962	Burkhardt	
3,640,065 A	2/1972	Lederrey et al.	
3,665,565 A	5/1972	Kruger	
3,675,284 A	7/1972	Rieth	
D269,254 S	6/1983	Kishimoto	
4,470,174 A	9/1984	Rhea	
D287,471 S	12/1986	Sato et al.	
D299,718 S	2/1989	Steer et al.	
4,847,818 A *	7/1989	Olsen	H04B 1/385 368/10
D305,422 S	1/1990	Steer et al.	
D320,566 S	10/1991	Ericson	
D331,020 S	11/1992	Ishii et al.	
D333,626 S	3/1993	Chang	
5,274,613 A *	12/1993	Seager	H04B 1/385 368/13
D349,864 S	8/1994	Dunlap et al.	
5,363,351 A	11/1994	Carney	
D355,375 S	2/1995	Bandy, II	
5,386,933 A	2/1995	Greene et al.	
5,758,443 A	6/1998	Pedrazzini	



D439,172 S	3/2001	Brzezinski	
D455,093 S	4/2002	Fitzgerald	
D473,818 S	4/2003	Salvisberg	
6,655,831 B1	12/2003	Ruffieux	
D494,098 S	8/2004	Cohen	
D496,589 S	9/2004	Perrenoud	
D501,836 S *	2/2005	Lowinger	D10/31
6,970,157 B2	11/2005	Siddeeq	
D513,195 S	12/2005	Gruosi	
7,004,469 B2	2/2006	Von Goeben	
D519,052 S	4/2006	Watanabe	
D528,439 S	9/2006	Burton	
D528,928 S	9/2006	Burton	
7,106,197 B2	9/2006	Gaiotto et al.	
D536,265 S	2/2007	Reynoso	
D538,687 S	3/2007	Komulainen	
D549,602 S	8/2007	Oberrieder et al.	
D550,105 S	9/2007	Oberrieder et al.	
7,293,383 B2	11/2007	Fishman et al.	
D558,227 S	12/2007	Cho et al.	
D560,520 S	1/2008	Oberrieder et al.	
D564,367 S	3/2008	Molyneux	
D566,580 S	4/2008	Giorgio	
D569,282 S	5/2008	Daniel	
D572,266 S	7/2008	Anderson et al.	
D573,905 S	7/2008	Poirier	
D574,735 S	8/2008	Landman et al.	
7,406,789 B2	8/2008	Story	
D578,922 S	10/2008	Hoshino	
D584,170 S	1/2009	Morrison	
D586,823 S	2/2009	Anderson et al.	
D589,375 S	3/2009	Tang	
D596,610 S	7/2009	Hou	
7,591,581 B2	9/2009	Lovegrove et al.	
D610,476 S	2/2010	Daniel	
D616,417 S	5/2010	Liao	
7,708,457 B2	5/2010	Girardin et al.	
D628,510 S	12/2010	Maier	
D637,094 S	5/2011	Cobbett et al.	
D637,918 S	5/2011	Cobbett et al.	
D645,360 S	9/2011	Kiser et al.	
D650,706 S	12/2011	Zanella et al.	
D666,503 S	9/2012	Bulgari	
D670,583 S	11/2012	Shaanan	
D672,667 S	12/2012	Mix	
D681,483 S	5/2013	Biegert et al.	
8,601,784 B2	12/2013	Kaltenrieder	
D699,143 S	2/2014	Xu	
D699,701 S	2/2014	Kim	
D711,002 S	8/2014	Ohnemus et al.	
D714,288 S	9/2014	Aumiller et al.	
D717,678 S	11/2014	Anderssen et al.	
D717,679 S	11/2014	Anderssen et al.	
D718,170 S	11/2014	Aumiller et al.	
D724,469 S	3/2015	Akana et al.	
D724,556 S	3/2015	Choi et al.	
D727,197 S	4/2015	Akana et al.	
D727,198 S	4/2015	Akana et al.	
D727,199 S	4/2015	Akana et al.	
D727,787 S	4/2015	Akana et al.	
D728,624 S	5/2015	Akana et al.	
D731,346 S	6/2015	Akana et al.	
D732,416 S	6/2015	Akana et al.	
D737,156 S	8/2015	Akana et al.	
D737,157 S	8/2015	Akana et al.	
D737,158 S	8/2015	Akana et al.	
D737,159 S	8/2015	Akana et al.	
D739,780 S	9/2015	Akana et al.	
D747,234 S	1/2016	Akana et al.	
D764,340 S	8/2016	Akana et al.	
D771,035 S	11/2016	Akana et al.	
D771,037 S	11/2016	Akana et al.	
D780,059 S	2/2017	Akana et al.	
D782,358 S	3/2017	Akana et al.	
9,693,610 B2 *	7/2017	Kim	G04B 37/00
D795,121 S	8/2017	Akana et al.	
D798,760 S	10/2017	Akana et al.	
D805,513 S *	12/2017	Akana	D14/344
D822,525 S	7/2018	Akana et al.	

2010/0061191 A1	3/2010	Chen
2014/0096345 A1	4/2014	Tschumi
2014/0098649 A1	4/2014	Tschumi

FOREIGN PATENT DOCUMENTS

CN	105639893 B	6/2017
DE	10229050 C1	6/2003
DE	20319858 U1	4/2004
EP	1098231 A1	5/2001
EP	2636328 A1	9/2013
ES	002297770-0003	6/2013
GB	618917 A	3/1949
GB	2082277	6/1999
GB	2088761	2/2000
JP	H08336406 A	12/1996
JP	D1140196	4/2002
JP	D1263841	2/2006
JP	D1279761	8/2006
JP	D1296110	3/2007
JP	D1380179	2/2010
JP	D1494268	4/2014
JP	D1511746	11/2014
WO	WO-DM/012262-001	1/1989
WO	WO-DM/066491-004	3/2005
WO	WO-DM072215	9/2009
WO	WO-DM/077452-004	6/2011
WO	WO-2013182397 A1	12/2013
WO	WO-2014135709 A2	9/2014

OTHER PUBLICATIONS

[Online] "40mm sunset modern buckle—small" <https://www.apple.com/shop/product/MV6Q2AM/A/40mm-sunset-modern-buckle-small?node=f2415090b7724e000fa390f677804086e6e61312fa04c086715ee232753e93af7cb1455452bf2172d8a81a7dc56c0e184e997a0cae70d1630e5f86739ac3d1386ed99d25ce7da5c1629e2345c14d5e48>. Retrieved Apr. 10, 2019.*

Alvarez, Edgar, "Basis Peak to get its smartwatch-like features in December," [engadget.com](http://www.engadget.com/2014/11/20/basis-peak-new-features/), <<http://www.engadget.com/2014/11/20/basis-peak-new-features/>>, dated Nov. 20, 2014, accessed Dec. 15, 2014.

Cool Material, "Braun Square Digital Watch," <<http://web.archive.org/web/20111125033014/http://coolmaterial.com/style/braun-square-digital-watch/>>, dated Nov. 25, 2011, accessed Dec. 18, 2014.

Emily, "Nixon—The Newton Digital," <<http://www.freshnessmag.com/2009/09/08/nixon-the-newton-digital/>>, freshnessmag.com, dated Sep. 8, 2009, accessed Oct. 9, 2014.

etsy.com, "1 Set Silver End Cap Clasp—Findings Large Toggle Clasp End Caps Buckle Connector with Five Inside Loops for Jewelry Making 26mm," <<http://www.etsy.com/listing/101269004/1-set-silver-end-cap-clasp-findings?ref=market>>, Listed on Aug. 29, 2014, accessed Oct. 9, 2014.

Fitbit, "Fitbit Surge™ Fitness Super Watch" <<https://www.fitbit.com/surge/>>, accessed Dec. 15, 2014.

geekbuying.com, "Makibes unisex red led digital wrist watch with square case silicone watchband—white," <<http://www.geekbuying.com/item/Unisex-Red-LED-Digital-Wrist-Watch-with-Square-Case-Silicone-Watchband---White-326443.html>>, accessed Oct. 9, 2014.

Hodinkee.com, "Apple iPod Nano Now Available With Mickey Mouse Dial, Also Cheesy, Mechanically Inaccurate Open-Worked Dial," <<http://web.archive.org/web/20111006043916/http://www.hodinkee.com/blog/2011/10/5/apple-ipod-nano-now-available-with-mickey-mouse-dial-also-ch.html>>, dated Oct. 6, 2011, accessed Dec. 18, 2014.

Homego, "M6 Silver Smart Watch Cell Phone 1.54 inch Bluetooth 3.0 Dialer Outdoor Sports Pedometer," [amazon.com](http://www.amazon.com/Silver-Bluetooth-Dialer-Outdoor-Pedometer/dp/B00MQTBGK6), <<http://www.amazon.com/Silver-Bluetooth-Dialer-Outdoor-Pedometer/dp/B00MQTBGK6>>, accessed Dec. 15, 2014.

Ikepod, "Original Ikepod Watch With GMT—Marc Newson Design," [watchbox.be](http://www.watchbox.be/prod/Others-Watches/Marc-Newson-%20Design/item/7165.htm#.VJLm2fAo5D8), <<http://www.watchbox.be/prod/Others-Watches/Marc-Newson-%20Design/item/7165.htm#.VJLm2fAo5D8>>, accessed Dec. 17, 2014.

LG Life's Good, "LG G Watch (W100)," < <http://www.lg.com/us/smart-watches/lg-W100-g-watch>>, accessed Dec. 18, 2014.

Metawatch, "Frame—Black (MW3005)," < <http://meta.watch/collections/smartwatch-all/products/frame-ss-black-leather>>, accessed Dec. 15, 2014.

Omate, "The TrueSmart™ is the world's first standalone smartwatch 2.0 running on top of Android and OUI 2.0," < <http://www.omate.com/product.html>>, accessed Dec. 15, 2014.

[Online] < <http://everydaydigitals.com/heres-what-i-think/21/apples-wearable-device-will-be-more-nike-fuel-band-than-pebble-watch>> Retrieved on Dec. 25, 2014.

[Online] http://i.ytimg.com/vi/Ab_oapZ8GpM/maxresdefault.jpg, accessed on Mar. 30, 2015.

[Online] <https://i.pinimg.com/originals/14/a3/fe/14a3fe37e9396e266e9834d63601bc4a.jpg> accessed at Dec. 22, 2017.

[Online] < <https://www.dezeen.com/2014/09/09/apple-watch-unveiled/>> posted online Sep. 9, 2014, Retrieved on Dec. 11, 2016.

[Online] <http://tftb.thetechblock.netdna-cdn.com/wp-content/uploads/2014/09/apple-watch-31.jpg>, accessed on Mar. 30, 2015.

[Online] < <http://www.computerworlduk.com/slideshow/mobile-wireless/3573389/the-many-looks-of-the-apple-watch/6/#content>> Retrieved on Dec. 25, 2014.

Pebble, "Pebble Smartwatch," [getpebble.com](https://getpebble.com/checkout), < <https://getpebble.com/checkout>>, accessed Dec. 15, 2014.

Omate, "The TrueSmart™ is the world's first standalone smartwatch 2.0 running on top of Android and OUI 2.0," (<http://www.omate.com/product.html>), Accessed Dec. 15, 2014, 4 pages.

Samsung, "Samsung Gear™ 2 Charcoal Black SM-R3800VSAXAR," < <http://www.samsung.com/us/mobile/wearable-tech/SM-R3800VSAXAR>>, accessed Dec. 15, 2014.

Samsung, "Samsung Gear S™, (Sprint), Black SM-R750PZKASPR," < <http://www.samsung.com/us/mobile/wearable-tech/SM-R750PZKASPR>>, accessed Dec. 15, 2014.

Samsung, "Galaxy Gear™ Live, Black SM-R3820ZKAXAR," < <http://www.samsung.com/us/mobile/wearable-tech/SM-R3820ZKAXAR>>, accessed Dec. 15, 2014.

Sony, "SmartWatch 3 SWR50," < <http://www.sonymobile.com/us/products/smartwear/smartwatch-3-swr50/>>, accessed Dec. 15, 2014.

Sony, "SmartWatch," < <http://www.sonymobile.com/us/products/accessories/smartwatch/>>, accessed Dec. 15, 2014.

Stables, James, "Clevercare smartwatch aims to help Alzheimer's sufferers and carers: Revamped Sony SmartWatch 2 designed for users that need care," Wearable News, < <http://www.wearable.com/wearable-tech/clevercare-smartwatch-aims-to-help-alzheimers-suffers-and-carers-585>>, dated Dec. 15, 2014.

Team Luxe, "Collector's Edition: Hermes Carre H Watch," Luxpresso, < <http://luxpresso.com/news-couture/collectors-edition-hermes-carre-h-watch/2814>>, dated Jan. 10, 2011, accessed Dec. 18, 2014.

Ted Baker, "Ted Baker Men's TE1054 Time Flies Contemporary Square Digital Case Watch," < <http://www.amazon.com/Ted-Baker-TE1054-Contemporary-Digital/dp/B0045CRTYO%3FSubscriptionId%3DAKIAJ3U4YRIBWCGGKZ2A%26tag%3Dfrases365-20%26linkCode%3Dsp1%26camp%3D2025%26creative%3D165953%26creativeASIN%3DB0045CRTYO>>, accessed Oct. 9, 2014.

The Best Third-party Apple Watch Bands, Dec. 21, 2016 (dated by WayBack Machine), Retrieved from Internet, (URL: <https://watchaware.com/best-apple-watch-bands>).

Velazco, Chris, "ASUS ZenWatch review: subtle and stylish, with a few shortcomings," Engadget.com, < <http://www.engadget.com/2014/12/11/asus-zenwatch-review/>>, dated Dec. 11, 2014, accessed Dec. 15, 2014.

Watches Infoniac.com, "Hermes Carre H Watch—Extremely Contemporary Design," < <http://watches.infoniac.com/carre-h-watch-hermes.html>>, dated Aug. 13, 2010, accessed Dec. 18, 2014.

Watchismo, "Braun BN0042 Black Date Leather," < <http://web.archive.org/web/20130815073830/http://www.watchismo.com/braun-bn0042bkbk.aspx>>, dated Aug. 15, 2013, accessed Dec. 18, 2014.

* cited by examiner

Primary Examiner — Melanie Pellegrini

(74) *Attorney, Agent, or Firm* — Sterne, Kessler, Goldstein & Fox P.L.L.C.

(57)

CLAIM

The ornamental design for a band, as shown and described.

DESCRIPTION

FIG. 1 is a bottom front perspective view of a band showing the claimed design;

FIG. 2 is a bottom rear perspective view thereof;

FIG. 3 is a front view thereof;

FIG. 4 is a rear view thereof;

FIG. 5 is a left side view thereof;

FIG. 6 is a right side view thereof;

FIG. 7 is a top view thereof;

FIG. 8 is a bottom view thereof; and,

FIG. 9 is a perspective view thereof in an environment in which it may be used.

The broken lines in the figures show portions of the band and environment that form no part of the claimed design.

1 Claim, 6 Drawing Sheets

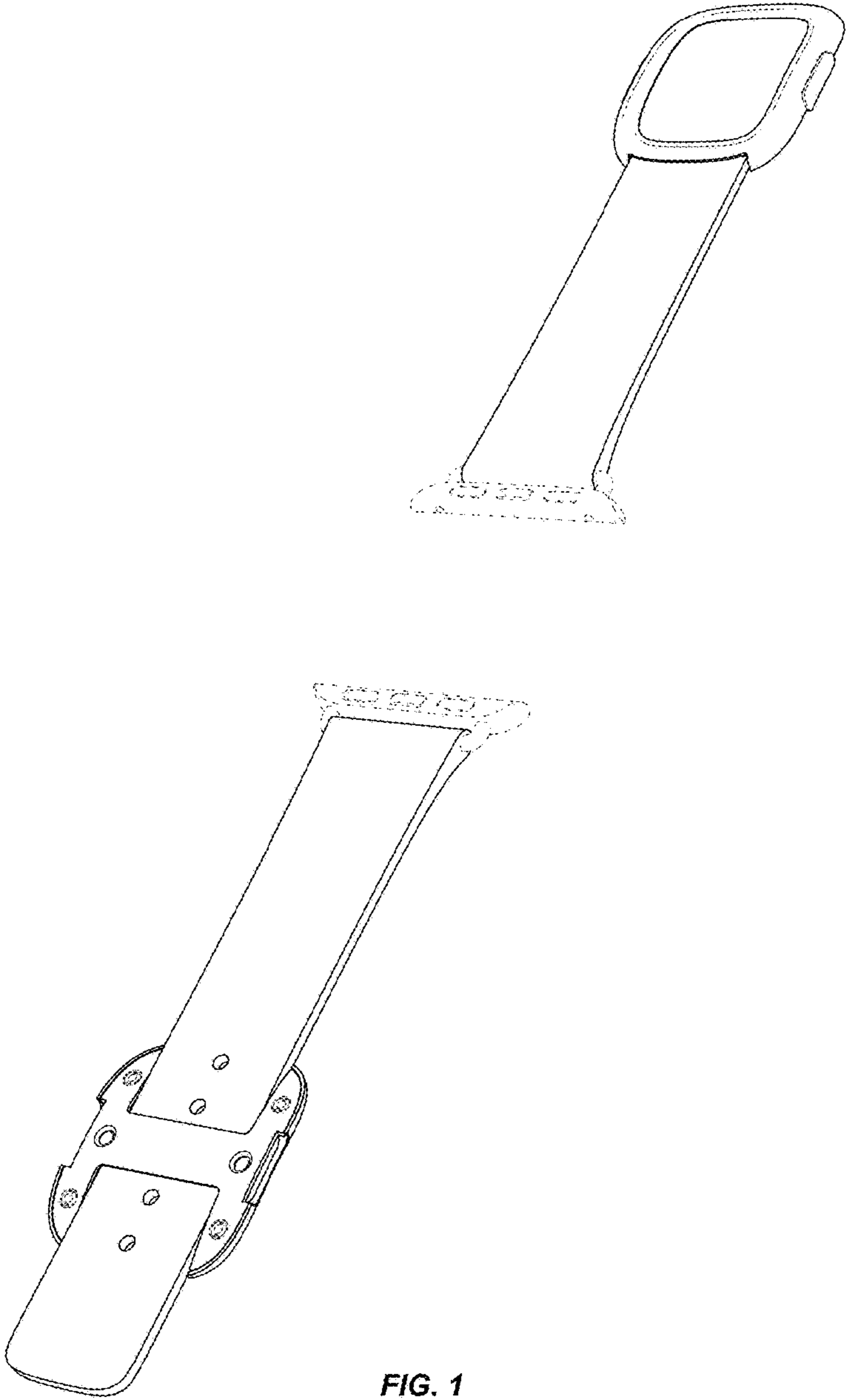


FIG. 1

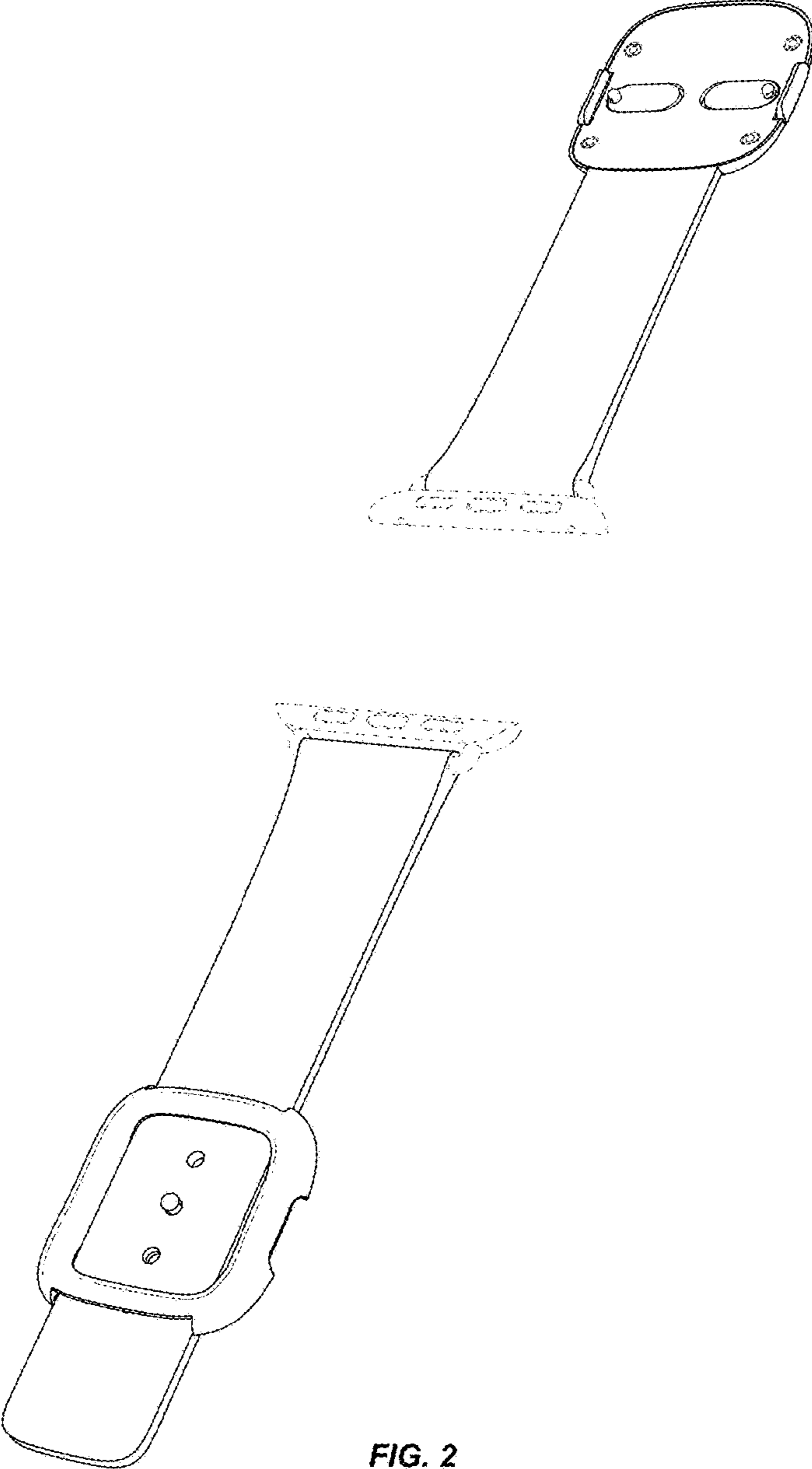


FIG. 2

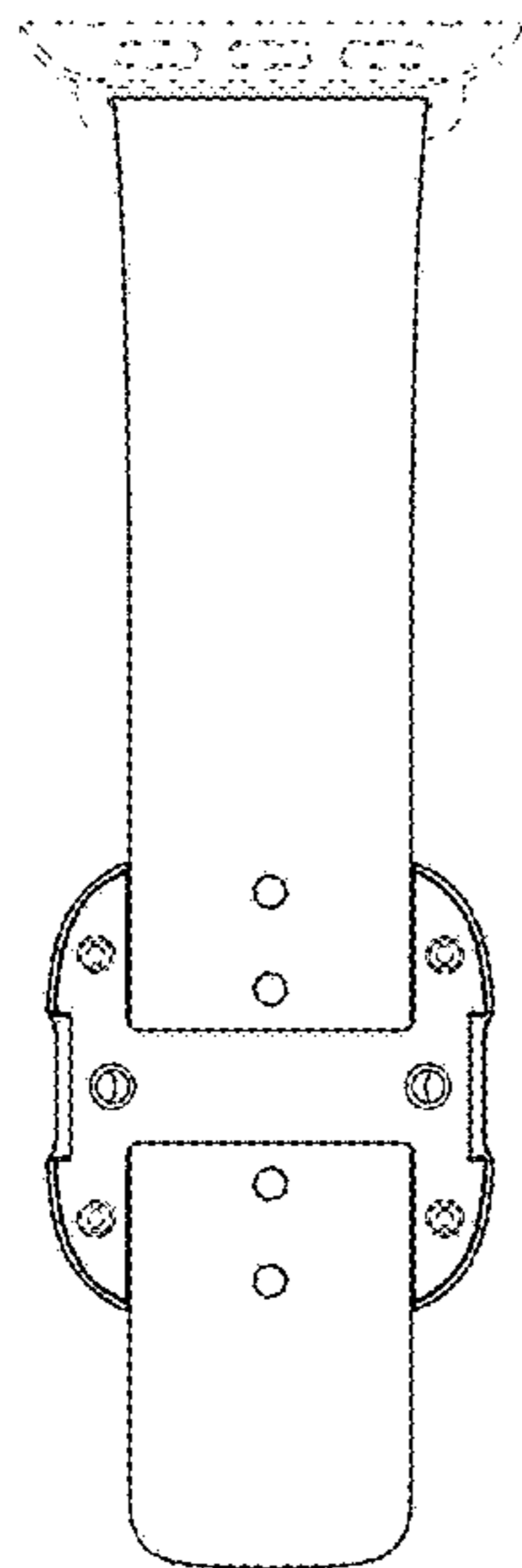
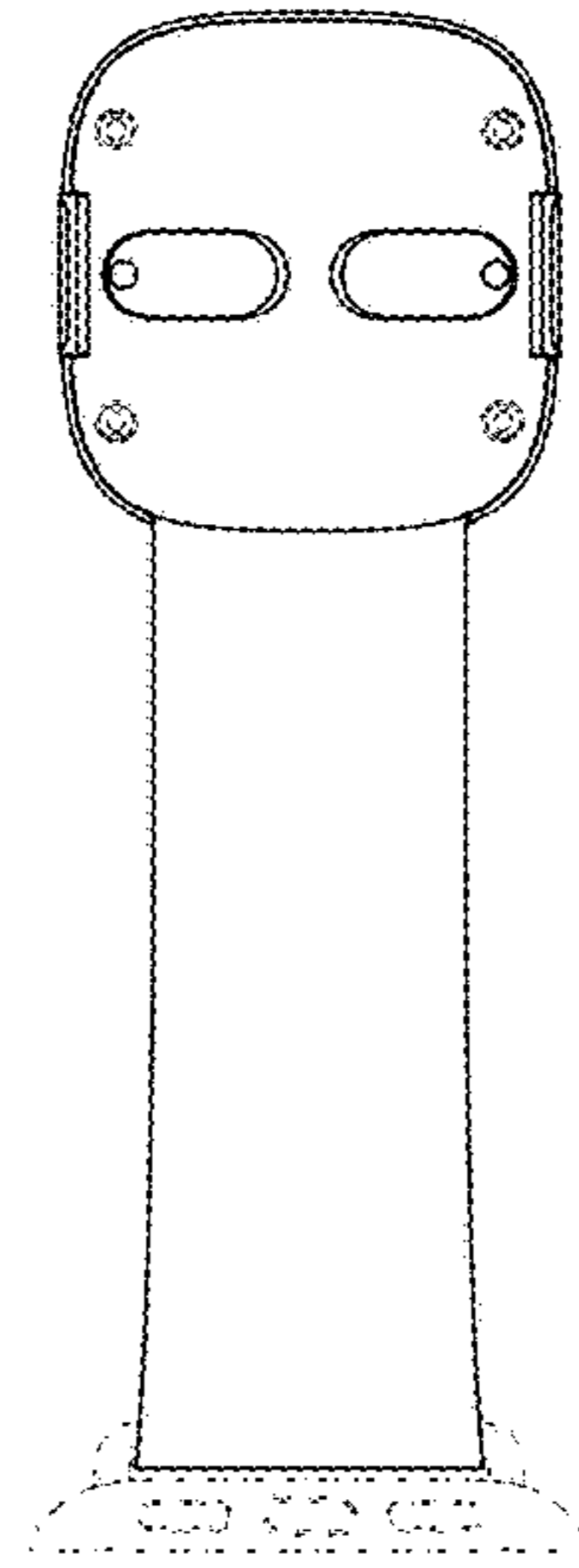
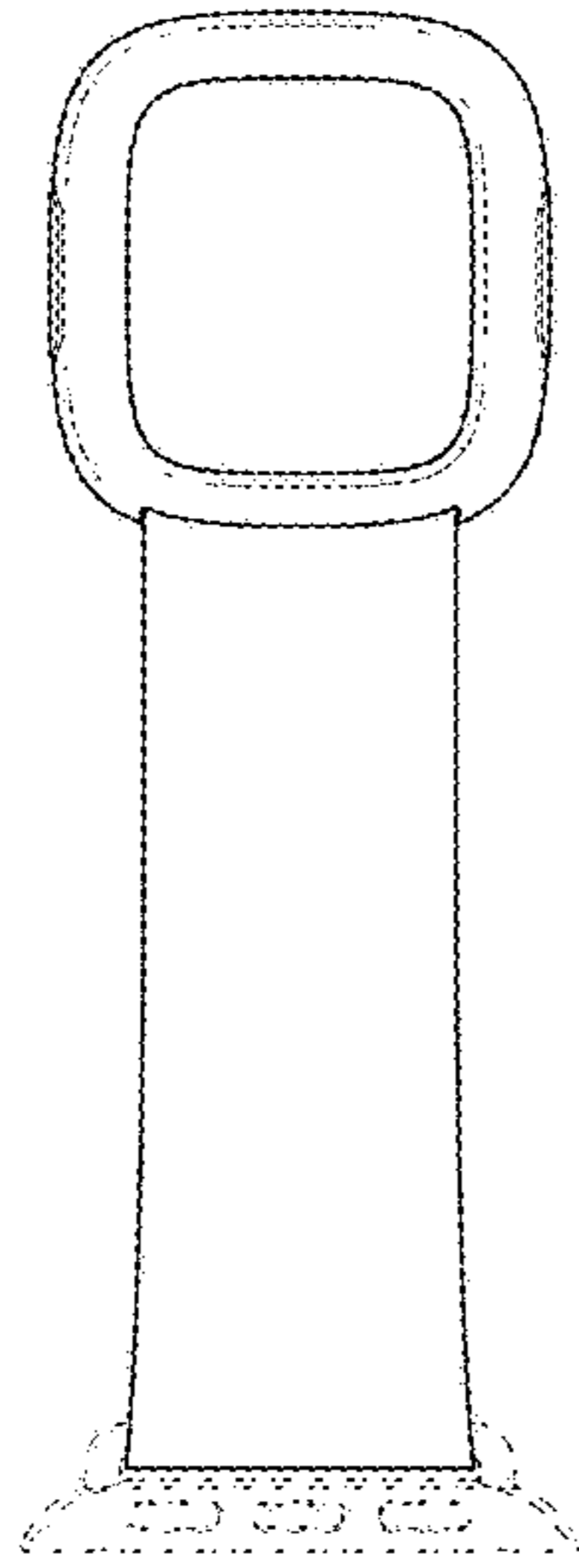


FIG. 3

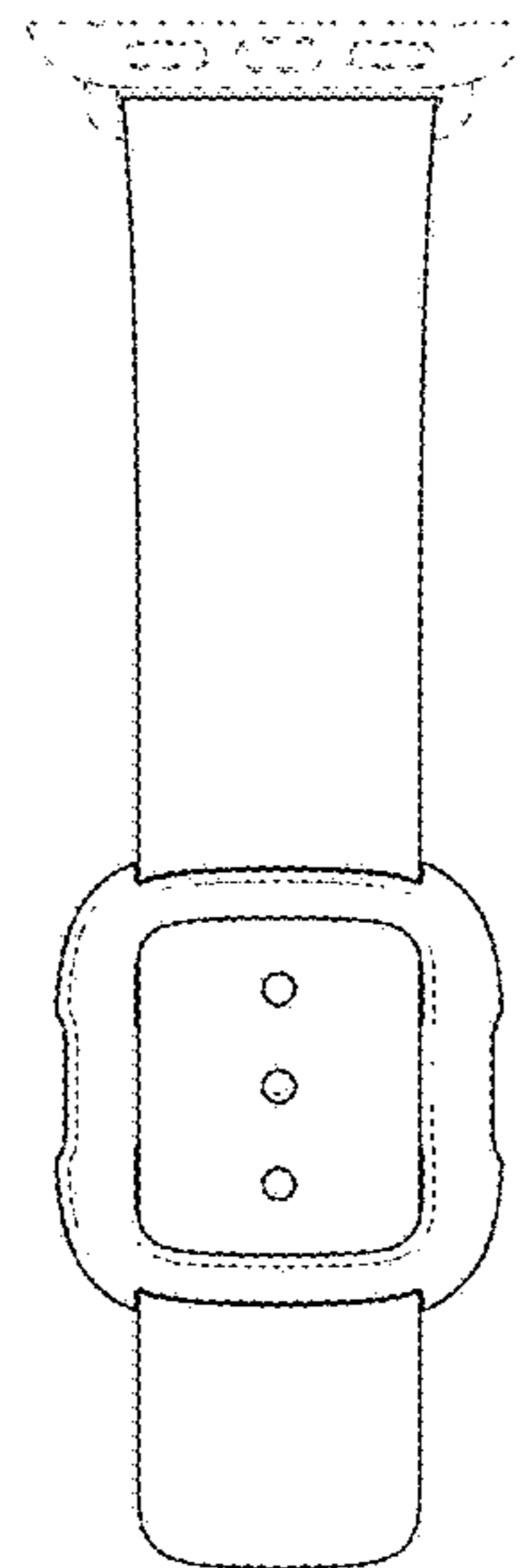


FIG. 4

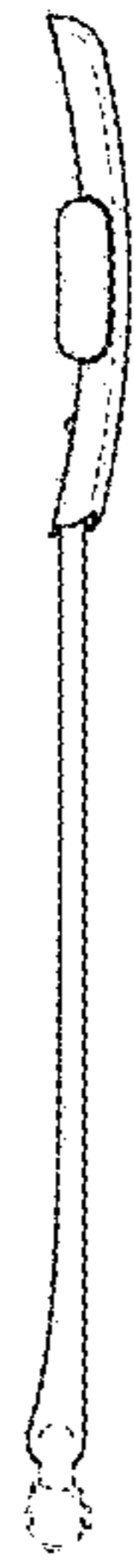


FIG. 5

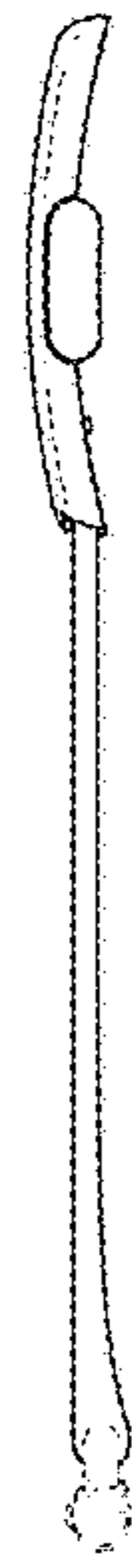
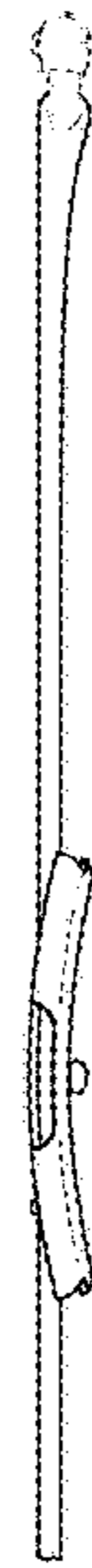
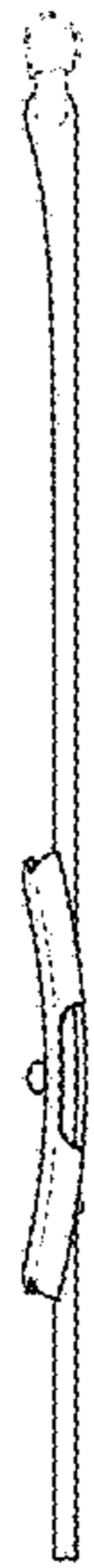


FIG. 6



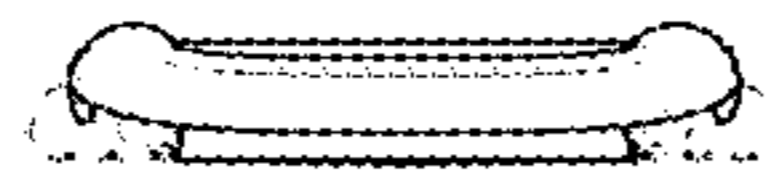


FIG. 7

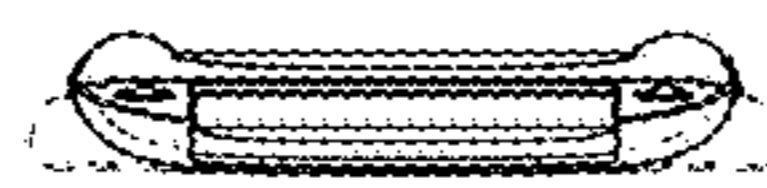


FIG. 8

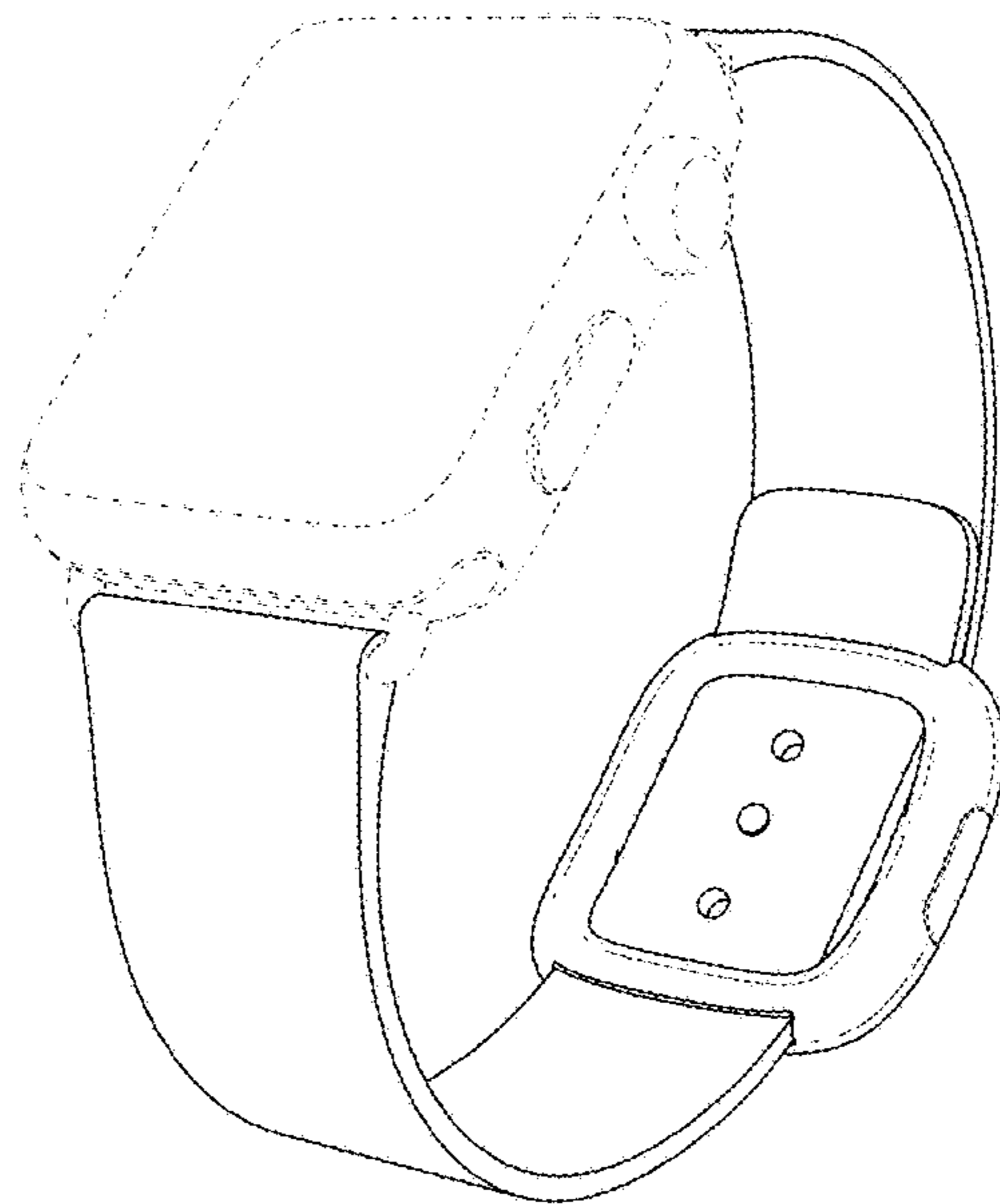


FIG. 9