



US00D859189S

(12) **United States Design Patent**
Mendoza et al.

(10) **Patent No.:** **US D859,189 S**

(45) **Date of Patent:** **** Sep. 10, 2019**

(54) **ERGONOMIC TEST PLUG**

(71) Applicant: **ABB Schweiz AG**, Baden (CH)

(72) Inventors: **Malbin Jose Mendoza**, Weston, FL (US); **Todd Gentile**, Tamarac, FL (US); **Prerak Shah**, Coral Springs, FL (US); **Arkady Oksengorn**, Boca Raton, FL (US)

(73) Assignee: **ABB Schweiz AG**, Baden (CH)

(**) Term: **15 Years**

(21) Appl. No.: **29/643,772**

(22) Filed: **Apr. 11, 2018**

(51) **LOC (12) Cl.** **10-04**

(52) **U.S. Cl.**
USPC **D10/75**; D10/78; D13/133

(58) **Field of Classification Search**
USPC D10/75, 78; D13/133, 146, 147, 149
CPC G01R 1/0408; G01R 31/2851; G01R 31/2889; G01R 31/31907; G01R 31/31921; G01R 31/318335; G01R 31/31725; G01R 31/3193; G01R 31/28; G01R 31/04; G01R 31/31813; G01R 31/31919; G01R 31/318385; G01R 1/073; G01R 1/07307; G01R 1/07314; G01R 1/07321; G01R 1/07328; G01R 1/07335; G01R 1/07342; G01R 1/0735; G01R 1/07357; G01R 1/07364; G01R 1/07371; G01R 1/07378; G01R 1/07385; G01N 34/1083; G01N 35/10; G02B 6/4201; G06F 11/0763; G06F 11/221; G06F 11/2242; G06F 11/263; G11C 29/56; G11C 29/02; G11C 29/56008; H04W 24/06; H04W 24/08; H01L 22/34; H01L

22/32; H01L 2924/00; H01L 2924/0002; H02B 1/21; H02B 1/24; H02B 1/36

See application file for complete search history.

(56) **References Cited**

U.S. PATENT DOCUMENTS

6,946,843	B2	9/2005	Fussell et al.	
D621,784	S *	8/2010	Bower	D13/147
D634,275	S *	3/2011	Bower	D10/78
8,400,161	B2	3/2013	Belhumeur et al.	
2011/0028031	A1	2/2011	Bower et al.	

* cited by examiner

Primary Examiner — Antoine Duval Davis

(74) *Attorney, Agent, or Firm* — Taft Stettinius & Hollister LLP; J. Bruce Schelkopf

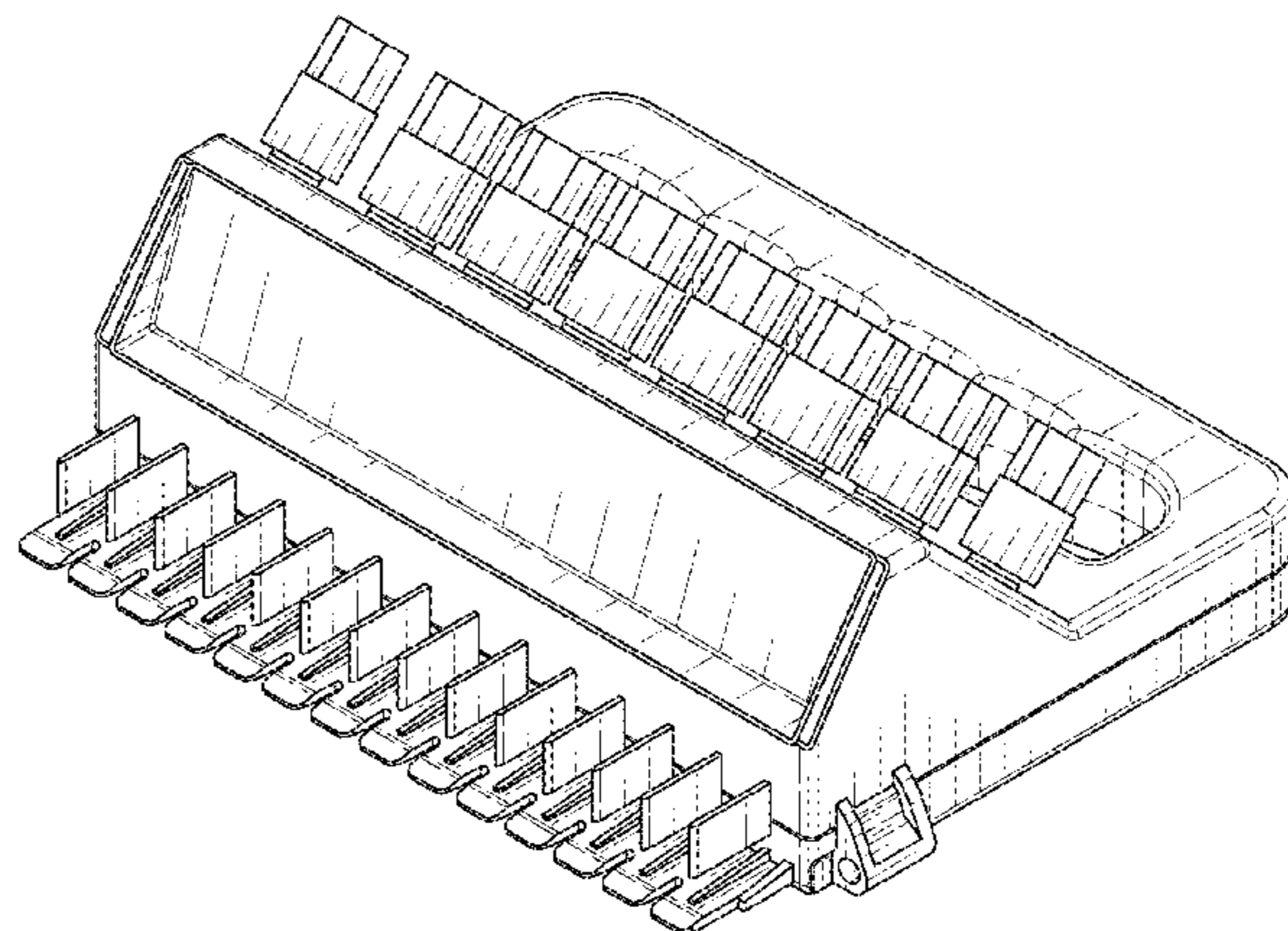
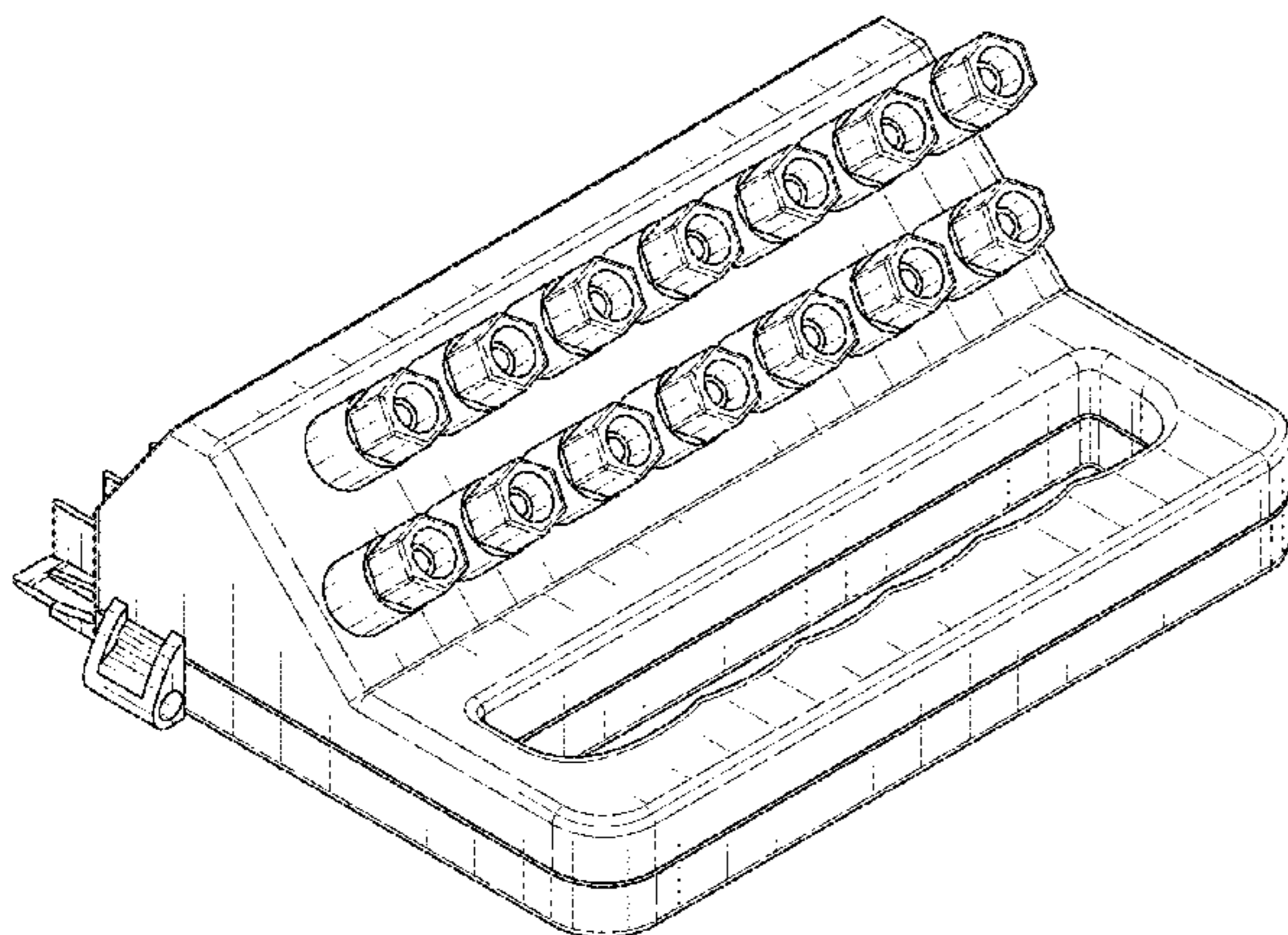
(57) **CLAIM**

The ornamental design for an ergonomic test plug, as shown and described.

DESCRIPTION

FIG. 1 illustrates a backside isometric view of an ergonomic test plug.
FIG. 2 illustrates a front side isometric view of the ergonomic test plug shown in FIG. 1.
FIG. 3 illustrates a bottom side isometric view of the ergonomic test plug shown in FIG. 1.
FIG. 4 illustrates a front side view of the ergonomic test plug shown in FIG. 1.
FIG. 5 illustrates a right side view of the ergonomic test plug shown in FIG. 1, the left side view being identical to the right side view.
FIG. 6 illustrates a backside view of the ergonomic test plug shown in FIG. 1.
FIG. 7 illustrates a top side view of the ergonomic test plug shown in FIG. 1; and,
FIG. 8 illustrates a bottom side view of the ergonomic test plug shown in FIG. 1.

(Continued)



The broken lines in FIGS. 3 and 8 are for the purpose of illustrating unclaimed portions of the article and form no part of the claimed design.

1 Claim, 8 Drawing Sheets

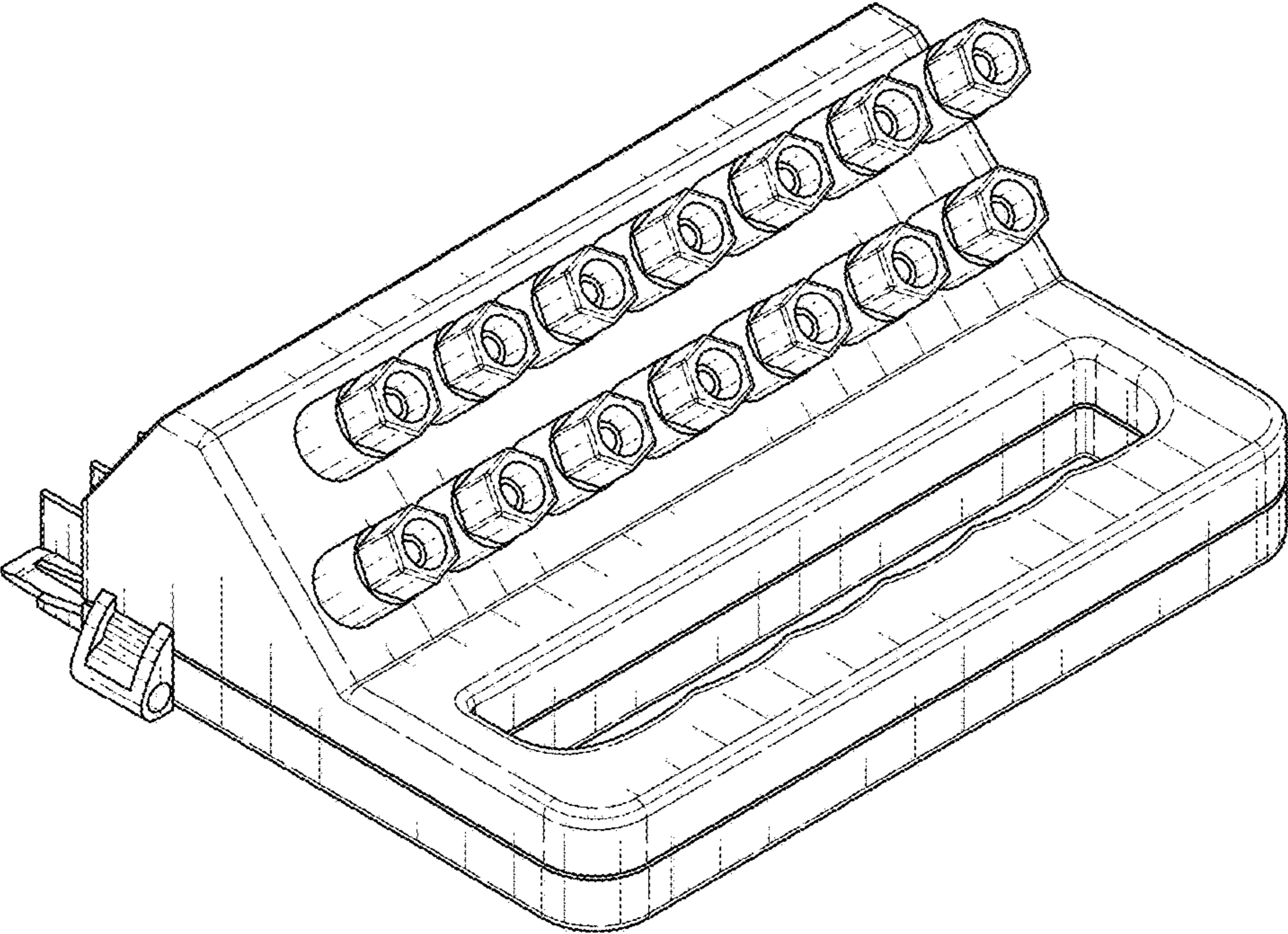


FIG. 1

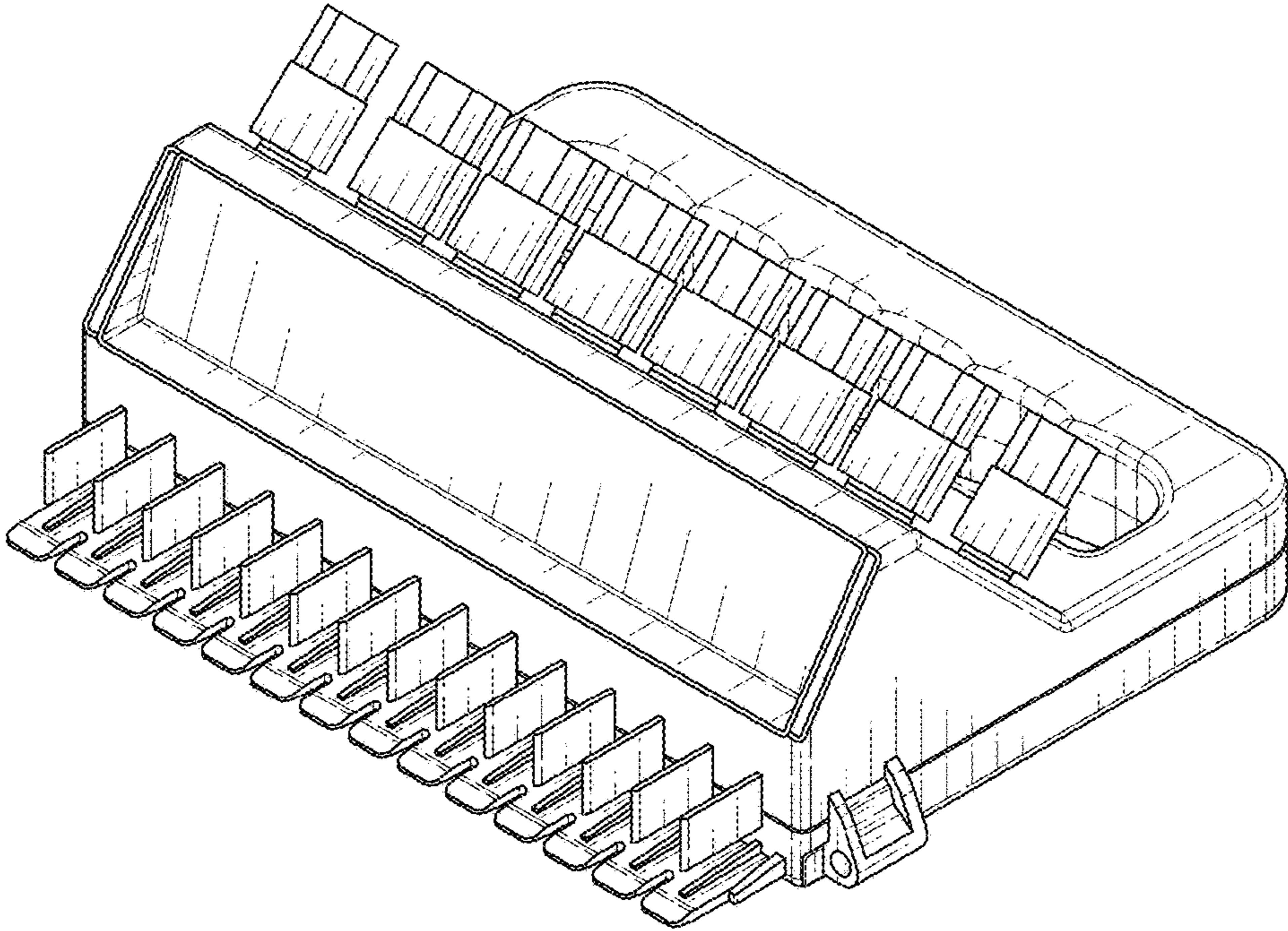


FIG. 2

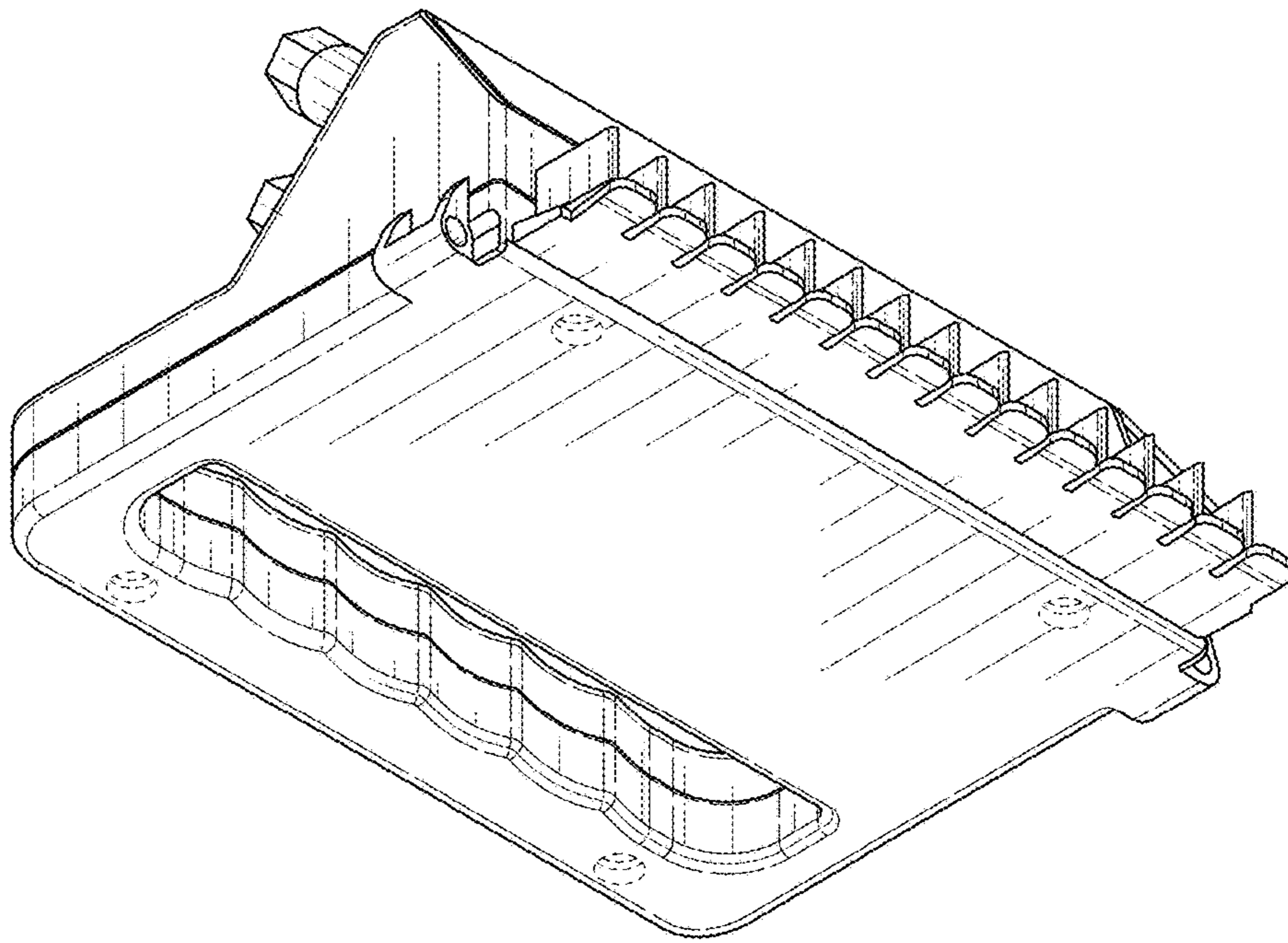


FIG. 3

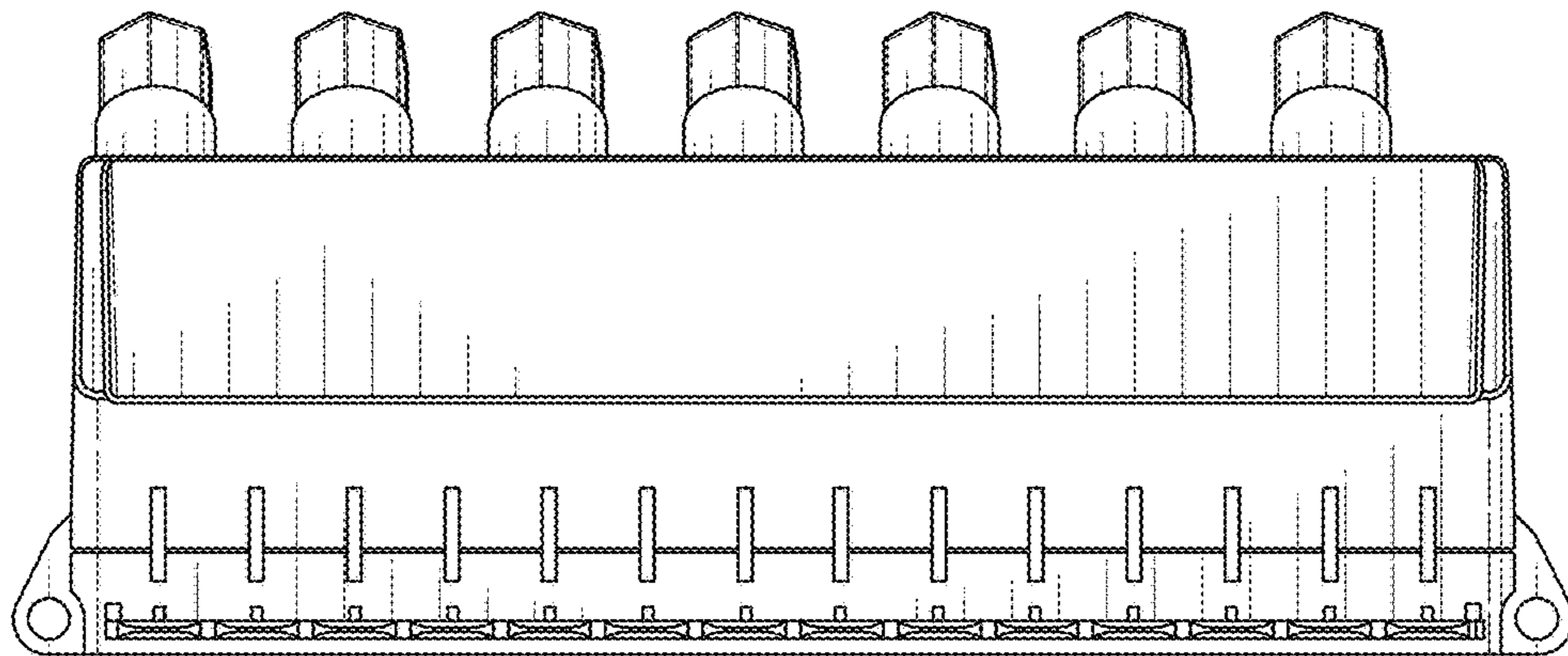


FIG. 4

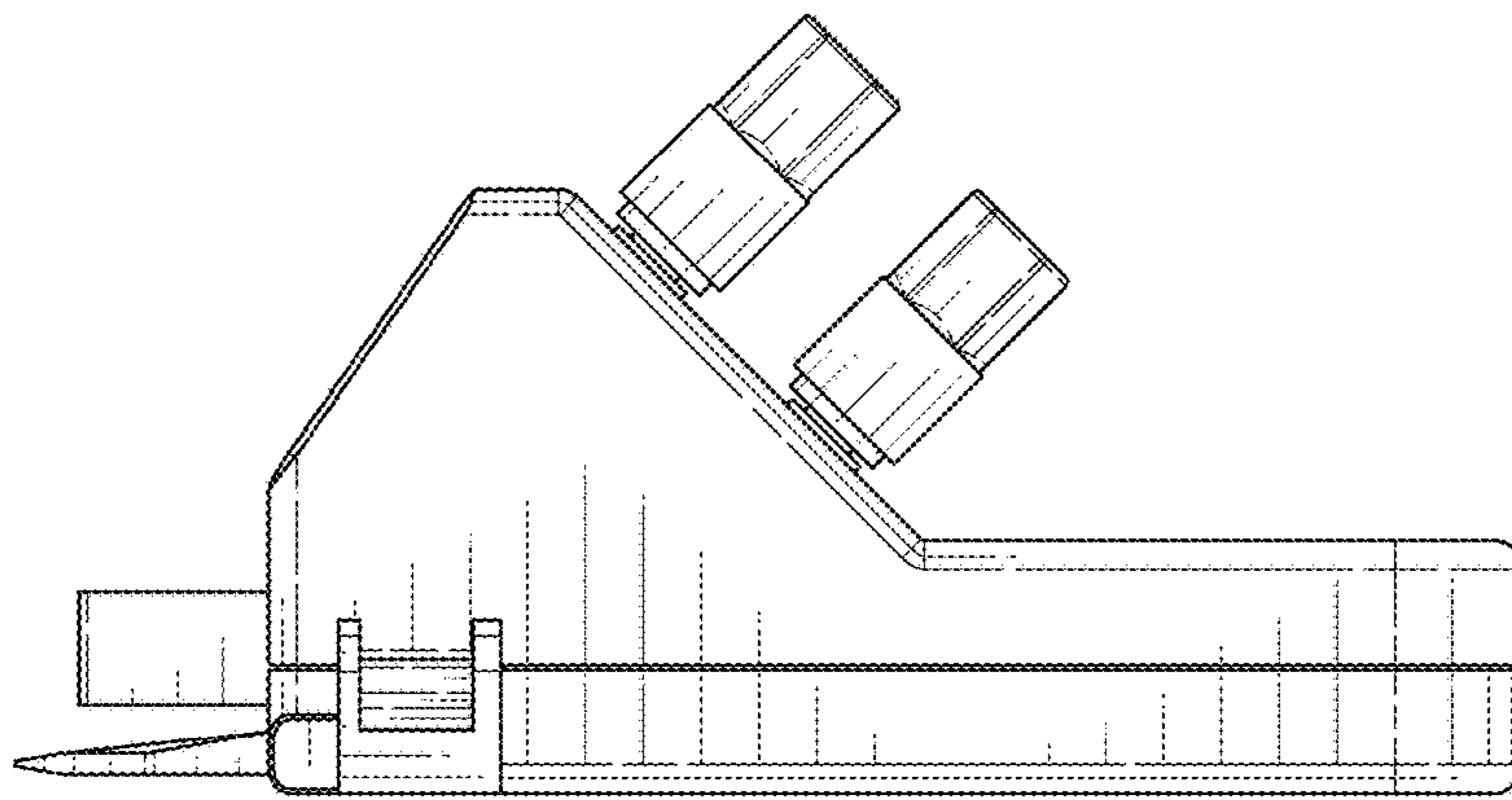


FIG. 5

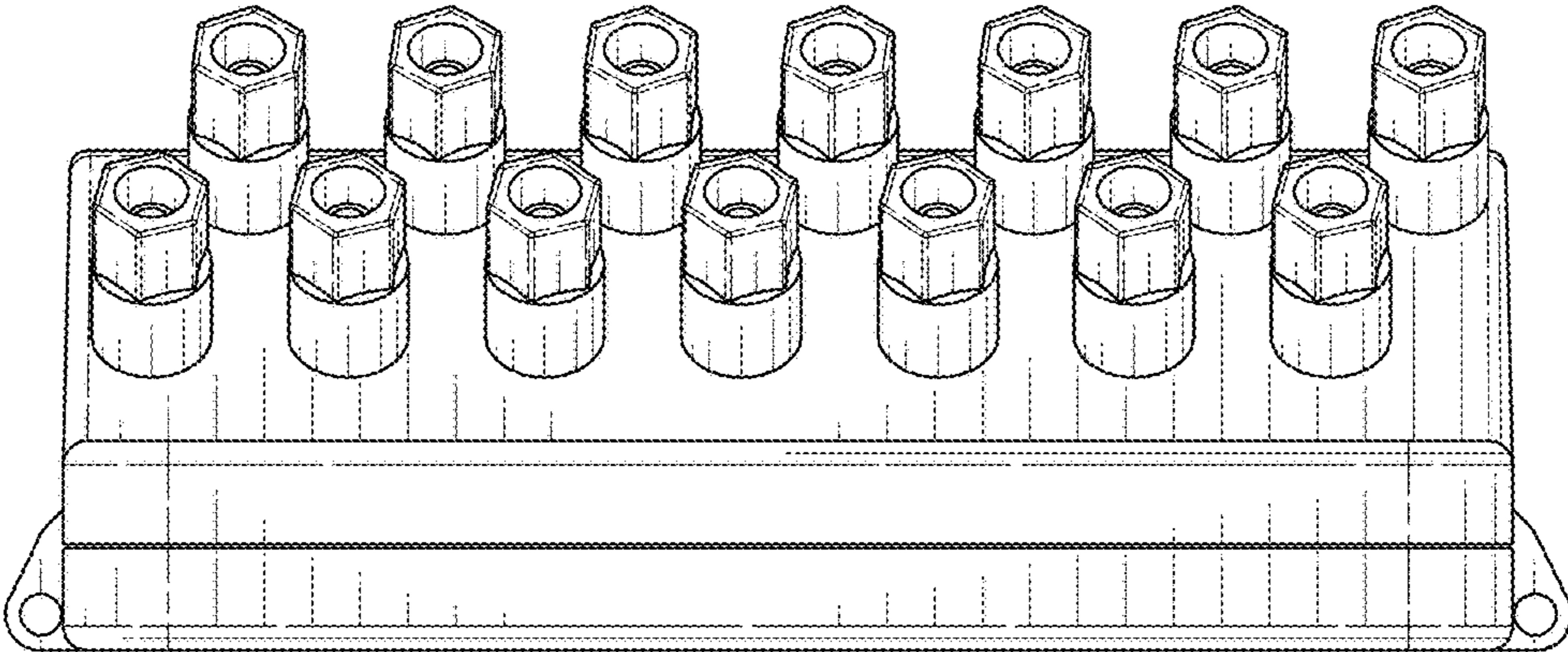


FIG. 6

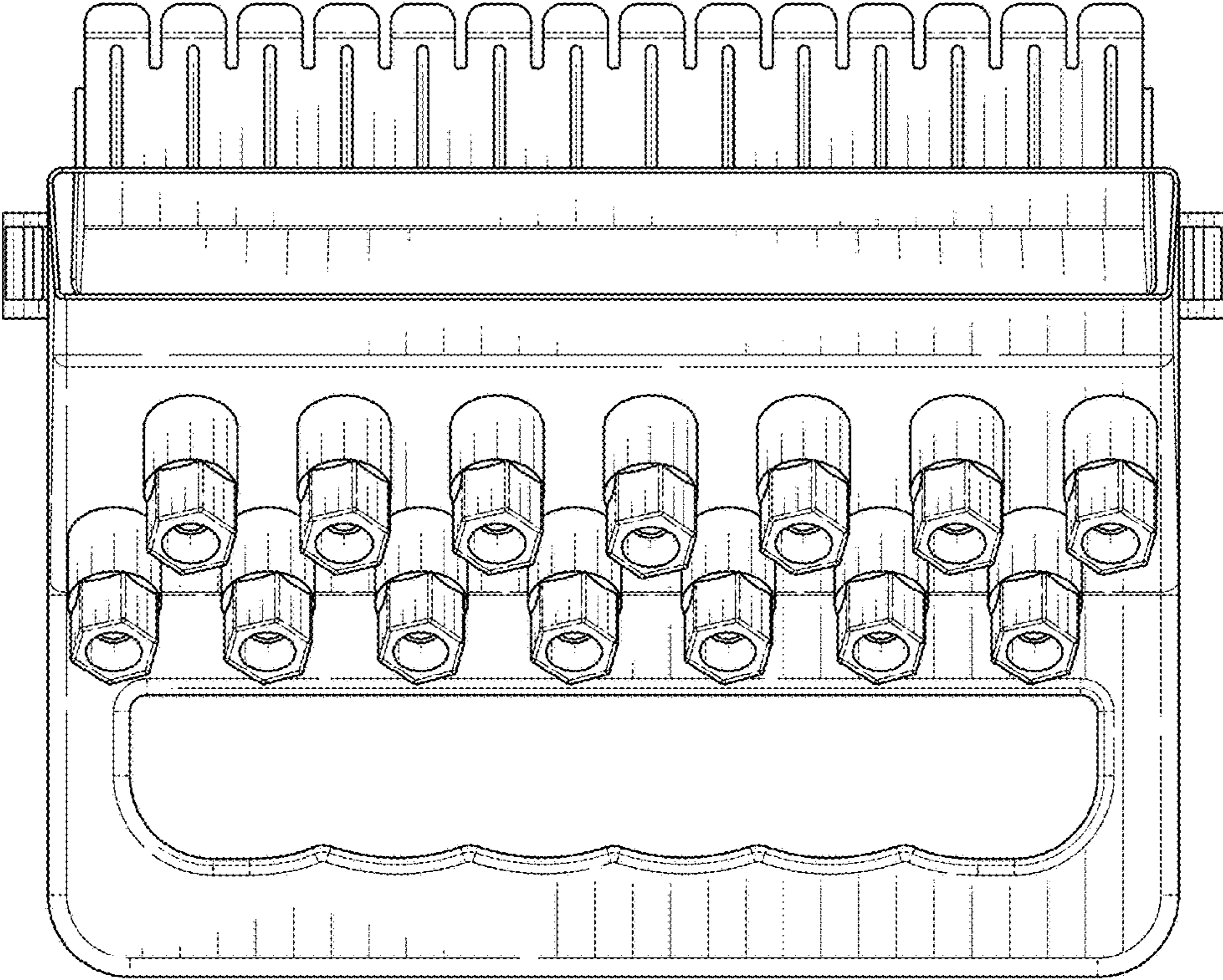


FIG. 7

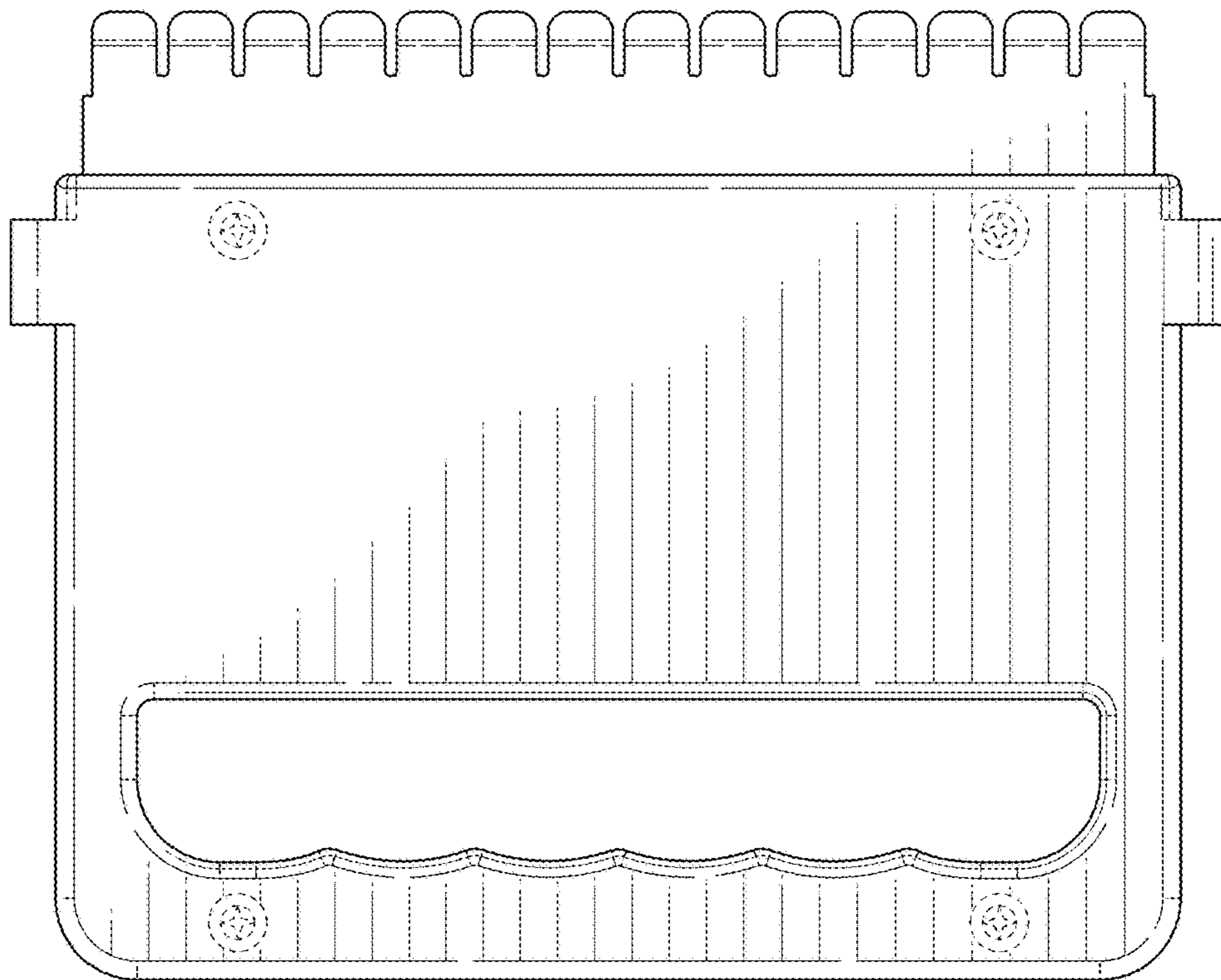


FIG. 8