



US00D859188S

(12) **United States Design Patent**
Anderson

(10) **Patent No.:** **US D859,188 S**

(45) **Date of Patent:** **** Sep. 10, 2019**

(54) **TAPE MEASURE**

(71) Applicant: **Milwaukee Electric Tool Corporation,**
Brookfield, WI (US)

(72) Inventor: **Kyle C. Anderson,** Milwaukee, WI
(US)

(73) Assignee: **Milwaukee Electric Tool Corporation,**
Brookfield, WI (US)

(**) Term: **15 Years**

(21) Appl. No.: **29/643,788**

(22) Filed: **Apr. 11, 2018**

(51) **LOC (12) Cl.** **10-04**

(52) **U.S. Cl.**
USPC **D10/72**

(58) **Field of Classification Search**
USPC **D10/72**

(Continued)

(56) **References Cited**

U.S. PATENT DOCUMENTS

D451,832 S * 12/2001 Lamond D10/72
D466,423 S 12/2002 Kram

(Continued)

FOREIGN PATENT DOCUMENTS

TW 433912 5/2001
TW 566888 12/2003
TW D132888 1/2010

OTHER PUBLICATIONS

U.S. Appl. No. 29/603,849, filed May 21, 2017, Milwaukee Electric
Tool Corporation.

(Continued)

Primary Examiner — Antoine Duval Davis

(74) *Attorney, Agent, or Firm* — Reinhart Boerner Van
Deuren s.c.

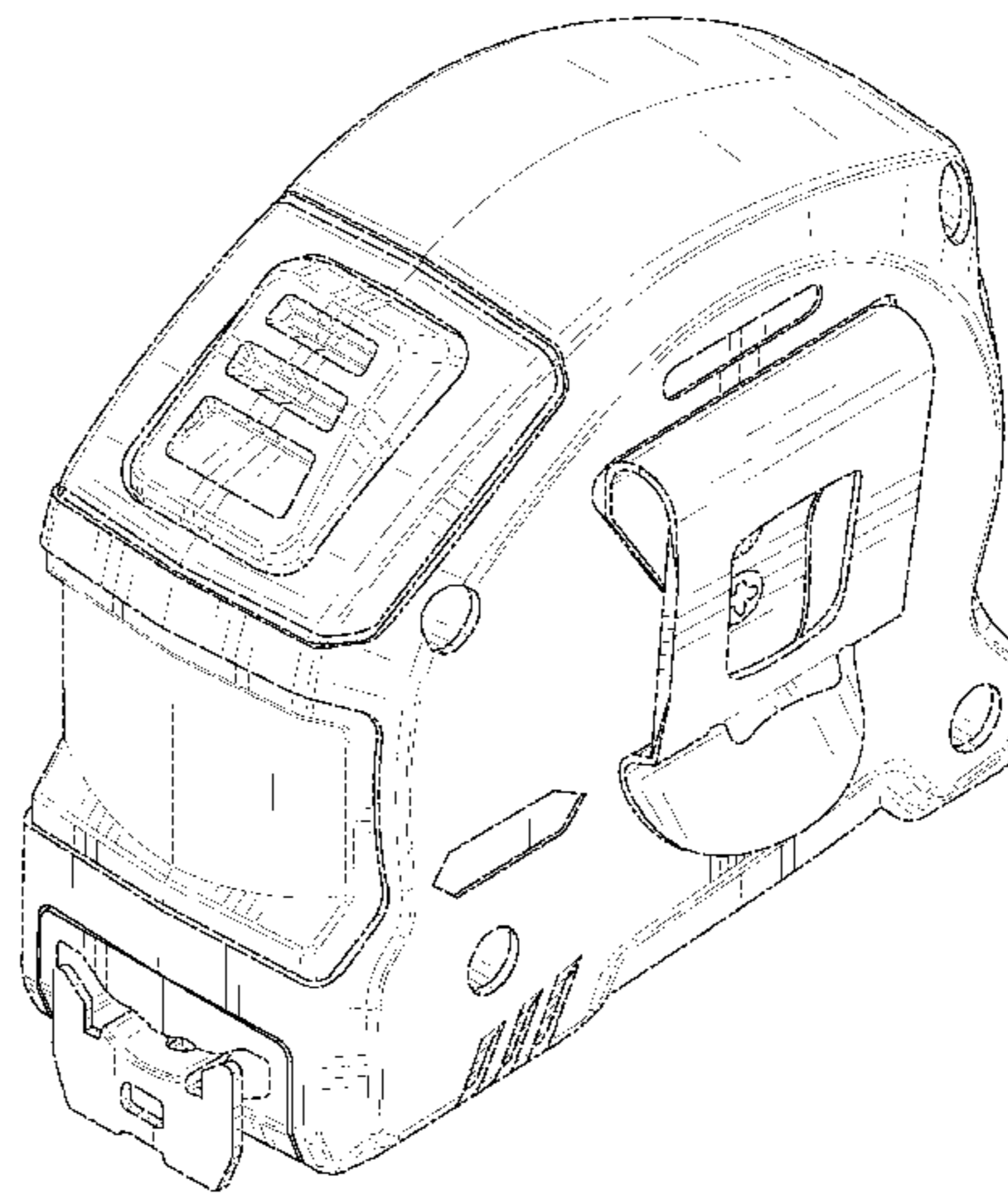
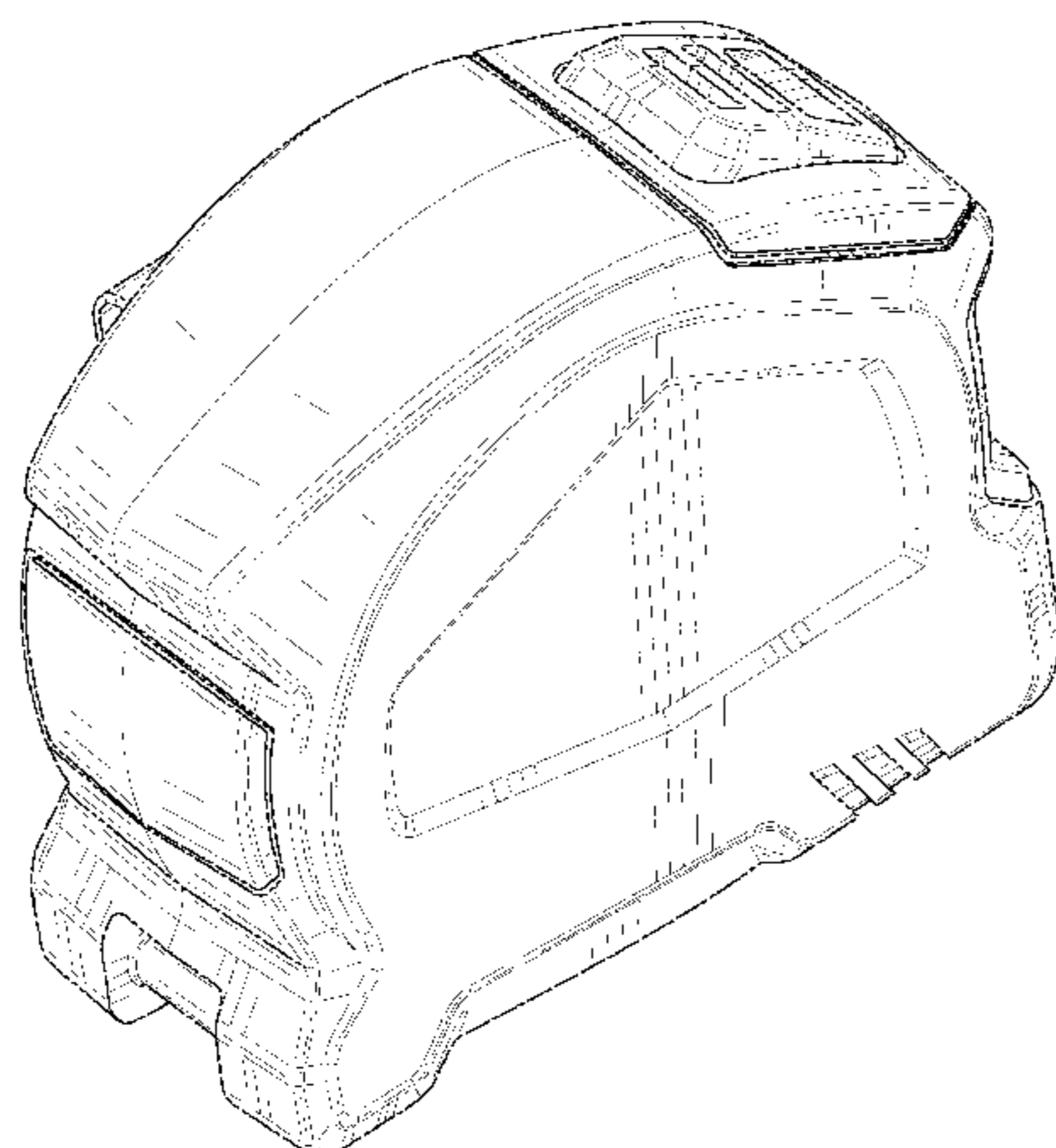
(57) **CLAIM**

I claim the ornamental design for a tape measure, as shown
and described.

DESCRIPTION

FIG. 1 is a rear perspective view from above of an embodi-
ment of the claimed design;
FIG. 2 is a front perspective view from above of the claimed
design of FIG. 1;
FIG. 3 is a front perspective view from below of the claimed
design of FIG. 1;
FIG. 4 is a rear perspective view from below of the claimed
design of FIG. 1;
FIG. 5 is a right side view of the claimed design of FIG. 1;
FIG. 6 is a left side view of the claimed design of FIG. 1;
FIG. 7 is a front view of the claimed design of FIG. 1;
FIG. 8 is a rear view of the claimed design of FIG. 1;
FIG. 9 is a top view of the claimed design of FIG. 1;
FIG. 10 is a bottom view of the claimed design of FIG. 1;
FIG. 11 is a rear perspective view from above of another
embodiment of the claimed design;
FIG. 12 is a front perspective view from above of the
claimed design of FIG. 11;
FIG. 13 is a front perspective view from below of the
claimed design of FIG. 11;
FIG. 14 is a rear perspective view from below of the claimed
design of FIG. 11;
FIG. 15 is a right side view of the claimed design of FIG. 11;
FIG. 16 is a left side view of the claimed design of FIG. 11;
FIG. 17 is a front view of the claimed design of FIG. 11;
FIG. 18 is a rear view of the claimed design of FIG. 11;
FIG. 19 is a top view of the claimed design of FIG. 11; and,
FIG. 20 is a bottom view of the claimed design of FIG. 11.

1 Claim, 20 Drawing Sheets



(58) **Field of Classification Search**

CPC G01B 3/10; G01B 3/1002; G01B 3/1041;
G01B 2003/1043; G01B 2003/1046;
G01B 2003/1048; G01B 2003/1051;
G01B 2003/1053–2003/1097; G01B
3/1082; G01B 3/1056; G01B 3/563;
G01B 3/566; G01B 3/1071; G01B
2003/1089; G01B 2003/1092; G01B
2003/1079; G01B 2003/1041; G01B
2003/1084; G07B 3/10

See application file for complete search history.

(56)

References Cited

U.S. PATENT DOCUMENTS

D466,824 S 12/2002 Kram
D504,835 S * 5/2005 Snider D10/72

D504,836 S * 5/2005 Wang D10/72
D726,043 S * 4/2015 Cook D10/72
D733,597 S 7/2015 Hyma et al.
D783,429 S 4/2017 Edwards
D783,430 S 4/2017 Wortelboer et al.
D785,475 S 5/2017 Graykowski et al.
D785,476 S 5/2017 Graykowski et al.
D787,347 S 5/2017 Wortelboer et al.
D788,611 S 6/2017 Anderson
D805,930 S * 12/2017 Ou D10/72

OTHER PUBLICATIONS

U.S. Appl. No. 29/604,250, filed May 16, 2017, Milwaukee Electric
Tool Corporation.

U.S. Appl. No. 29/622,963, filed Oct. 20, 2017, Milwaukee Electric
Tool Corporation.

* cited by examiner

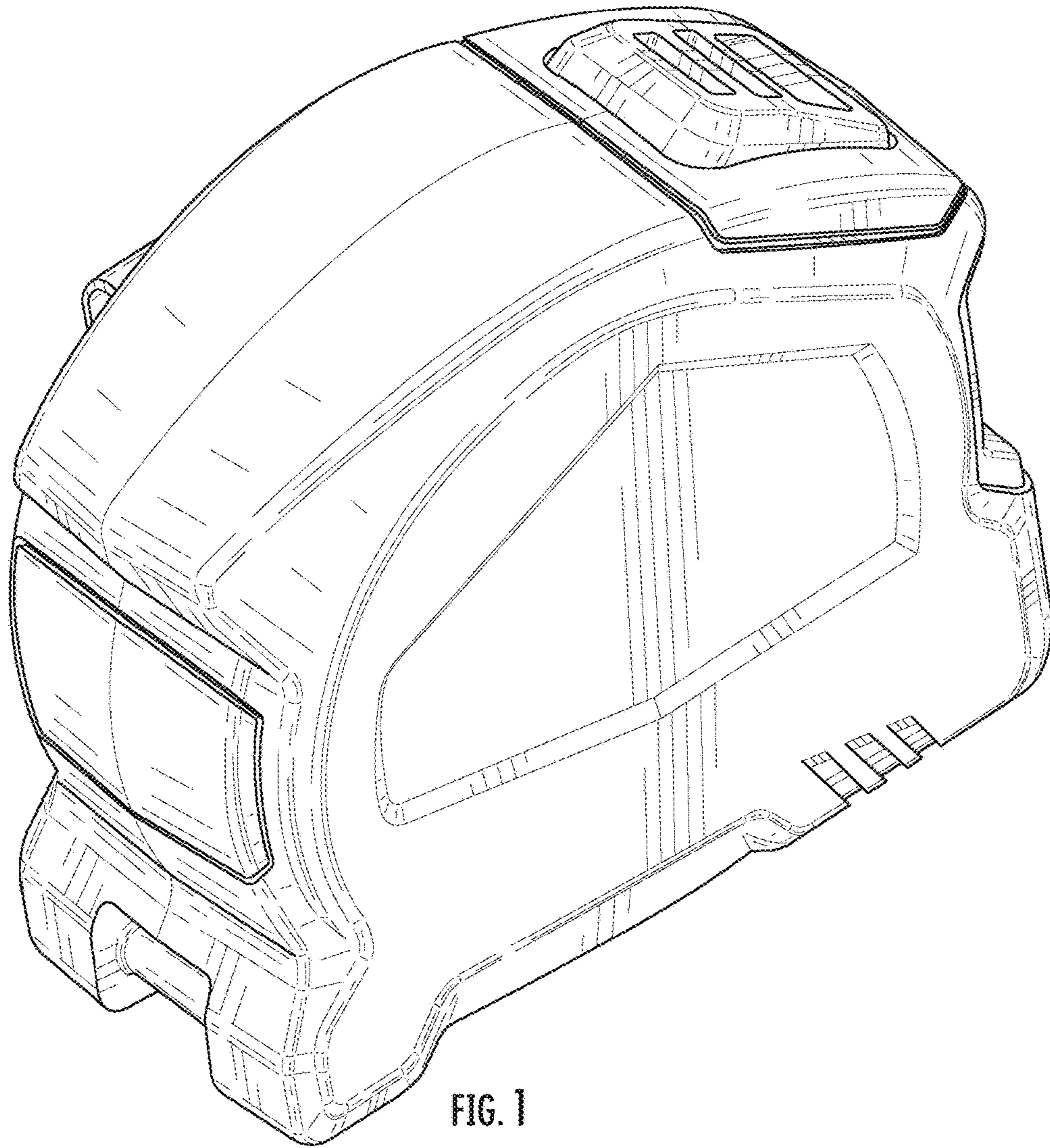


FIG. 1

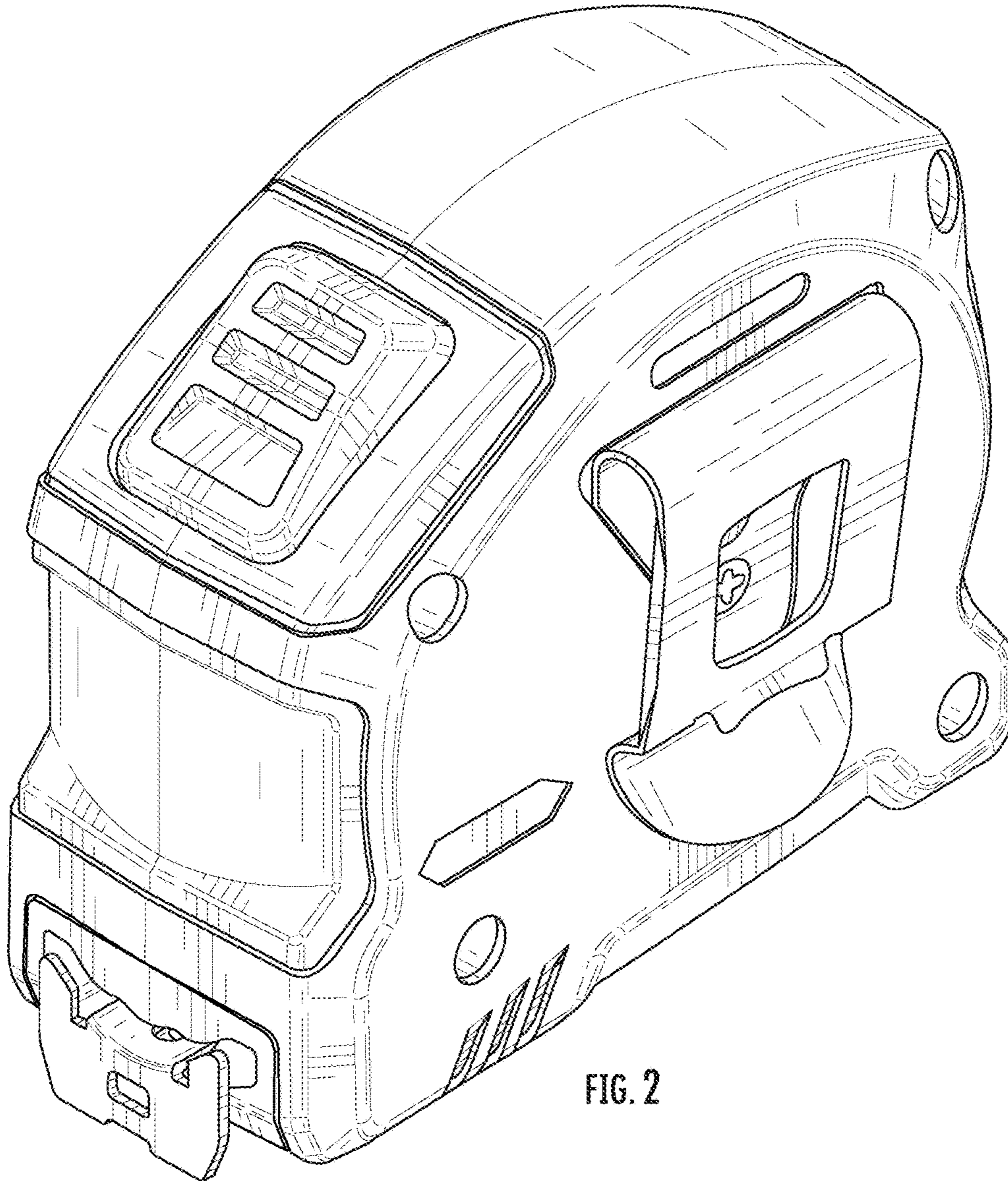


FIG. 2

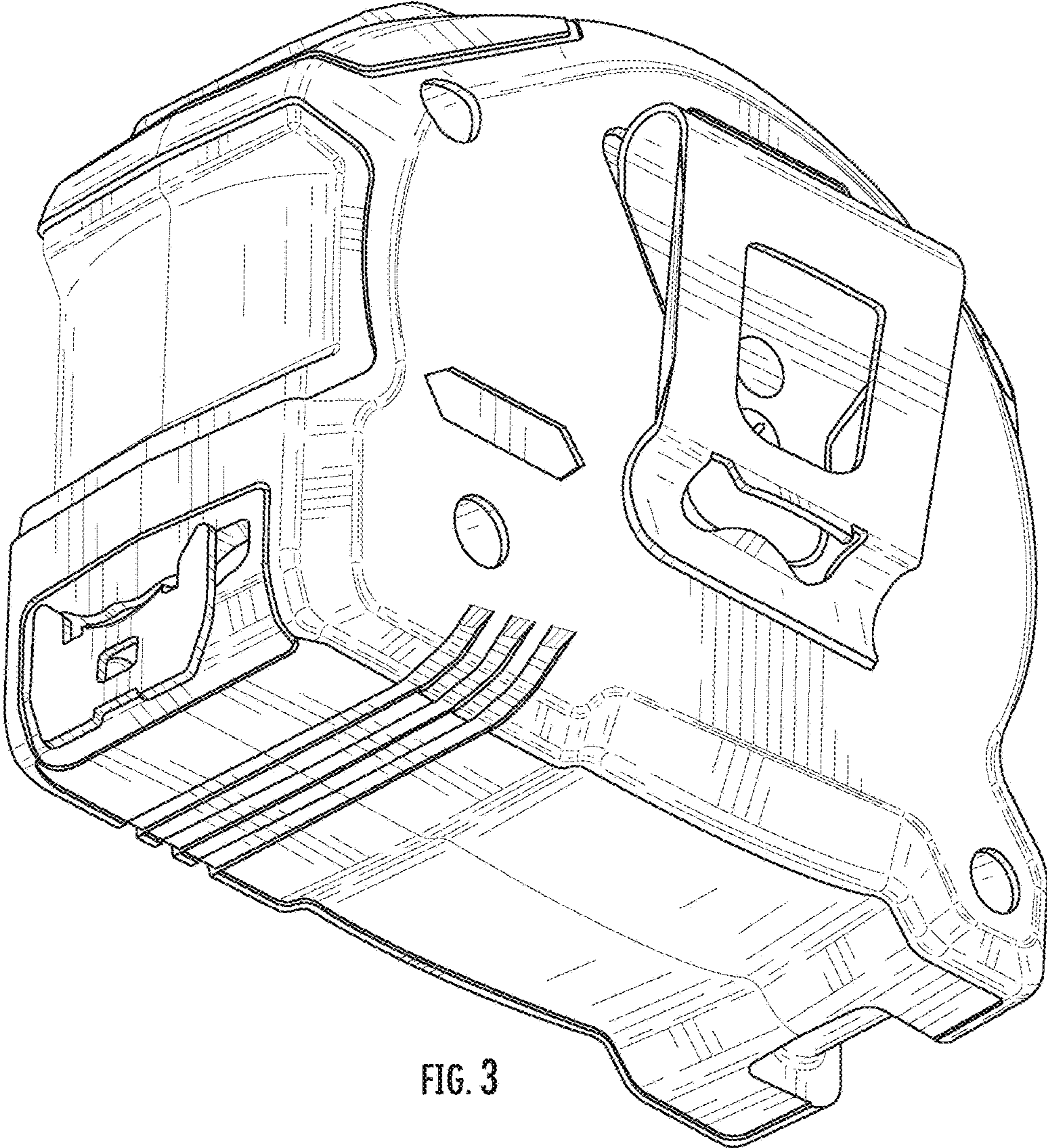
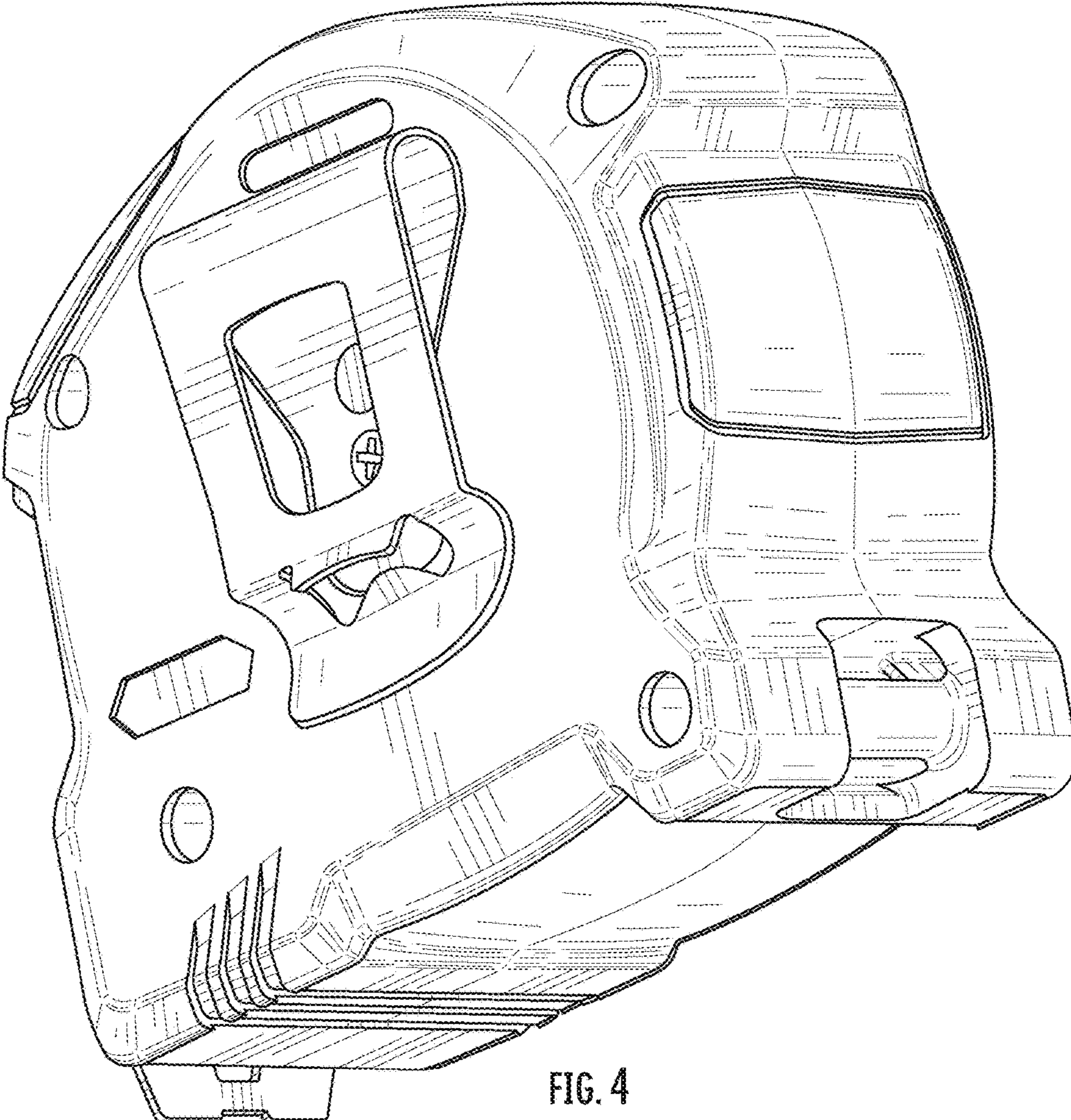


FIG. 3



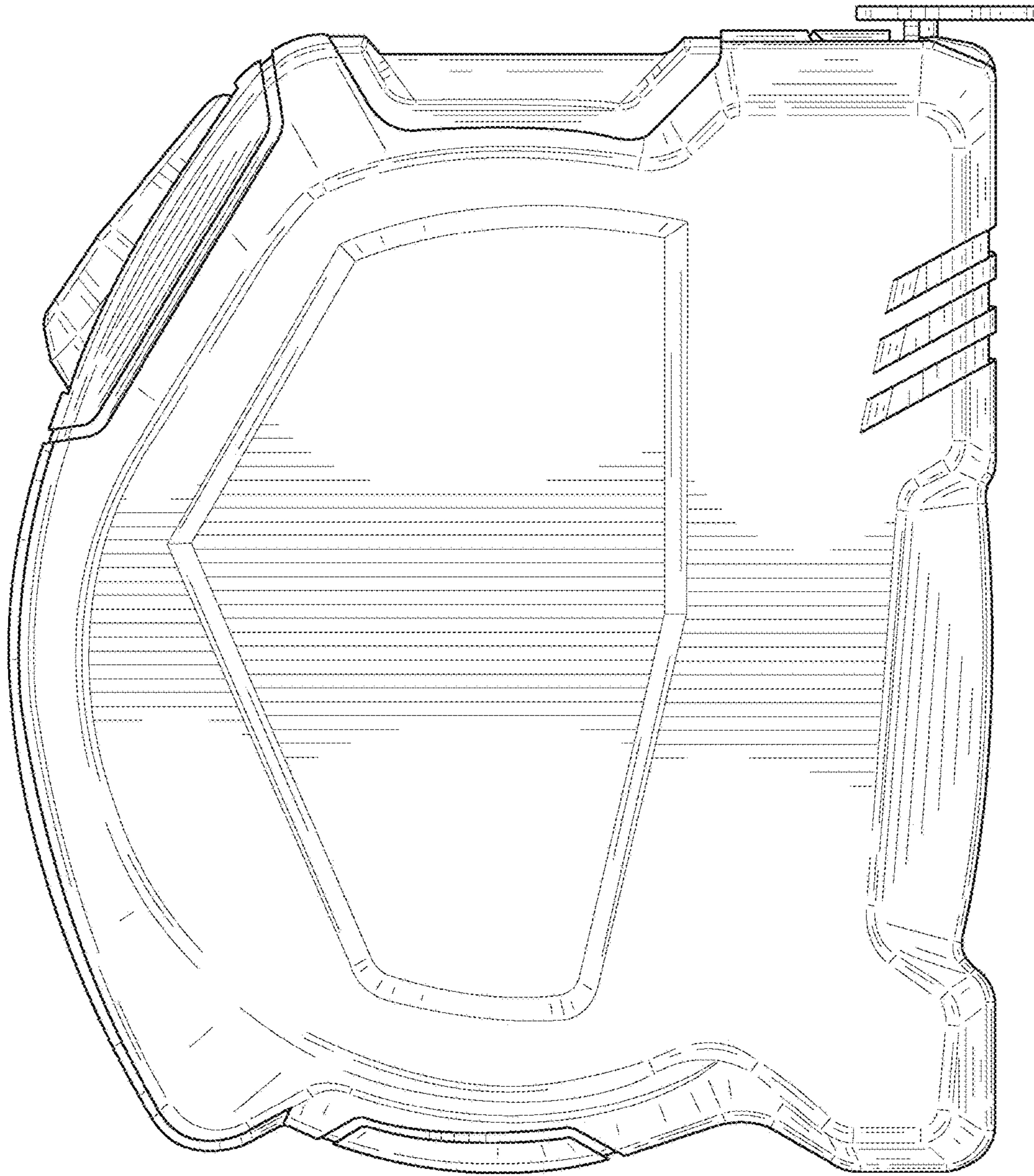


FIG. 5

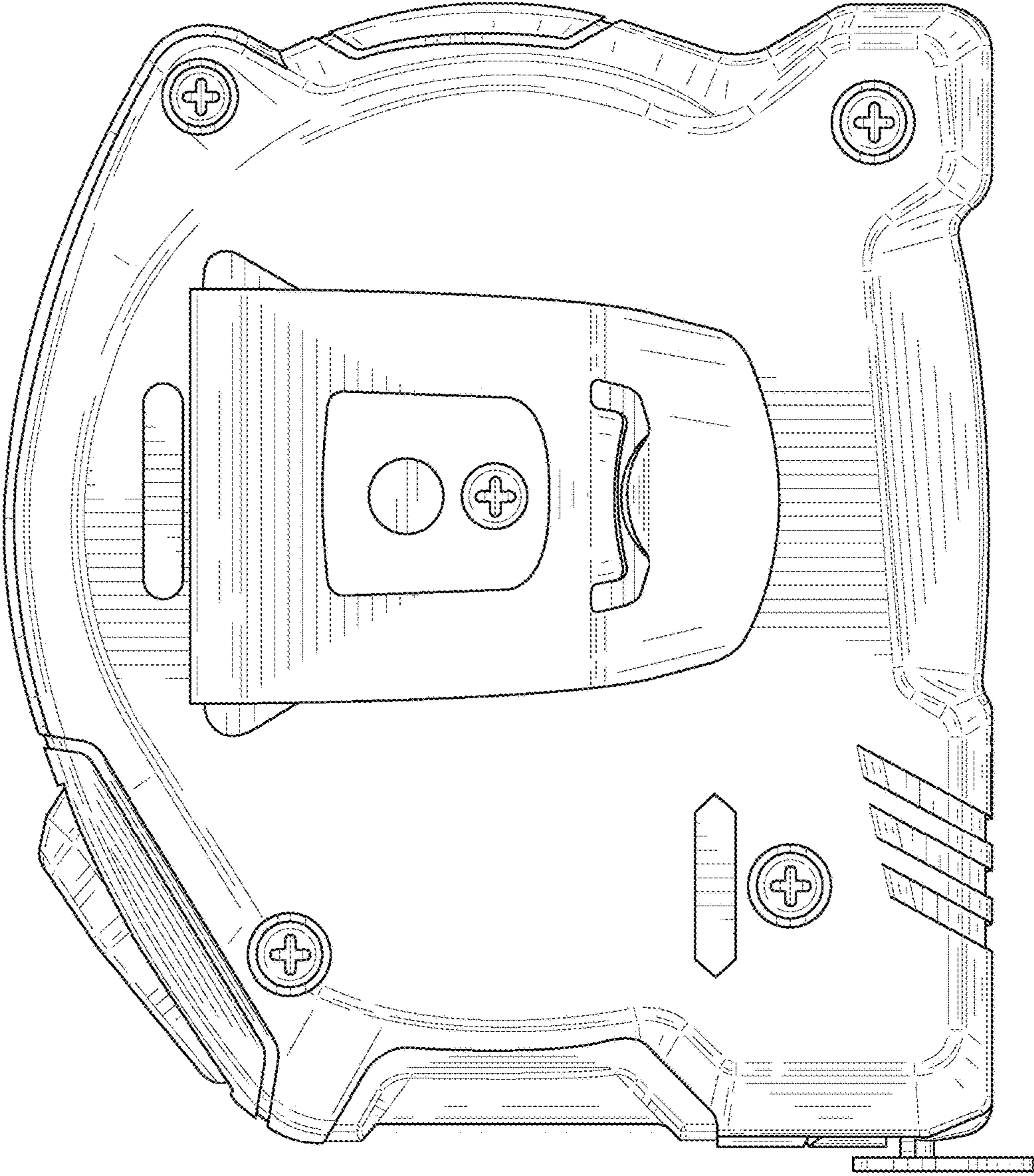


FIG. 6

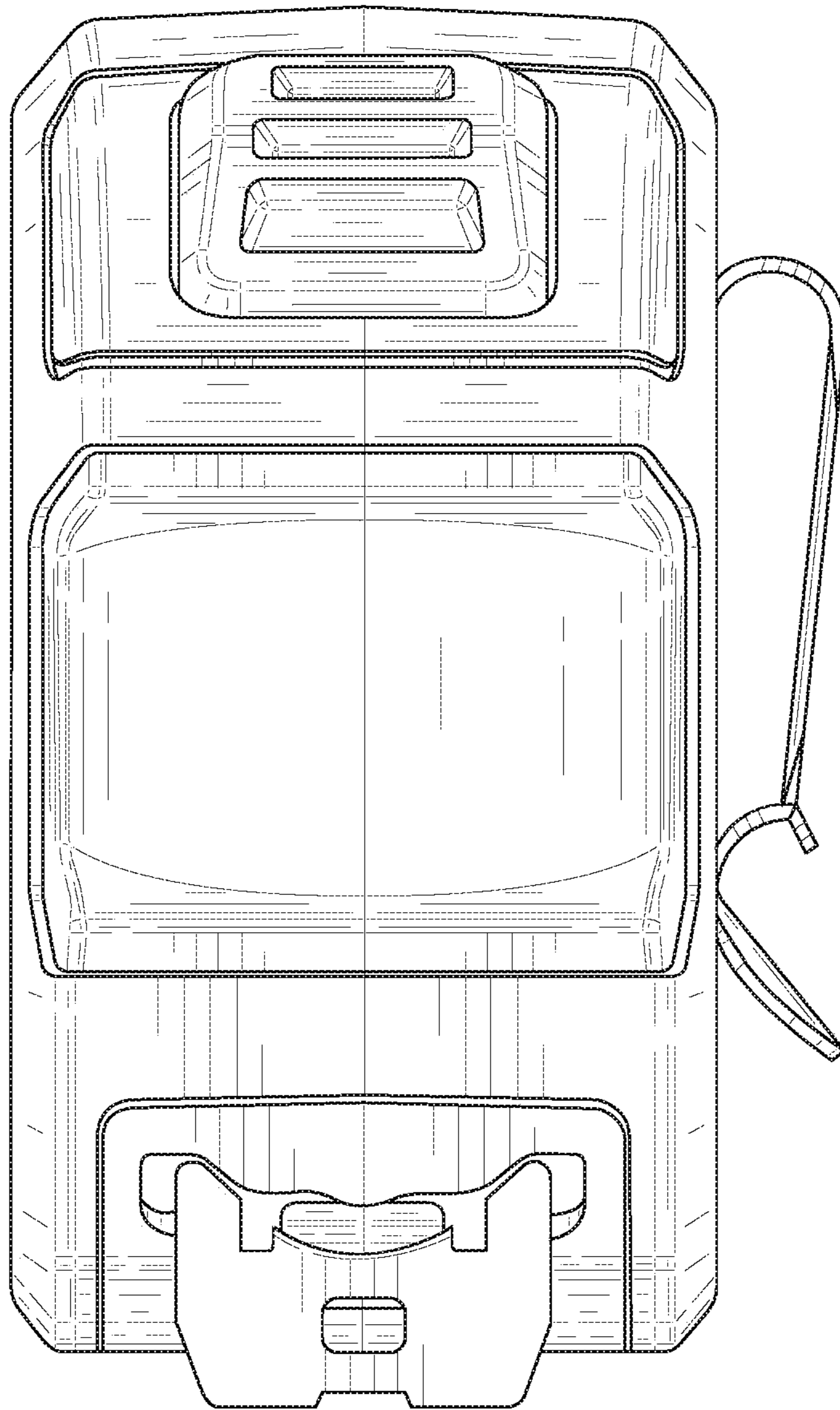


FIG. 7

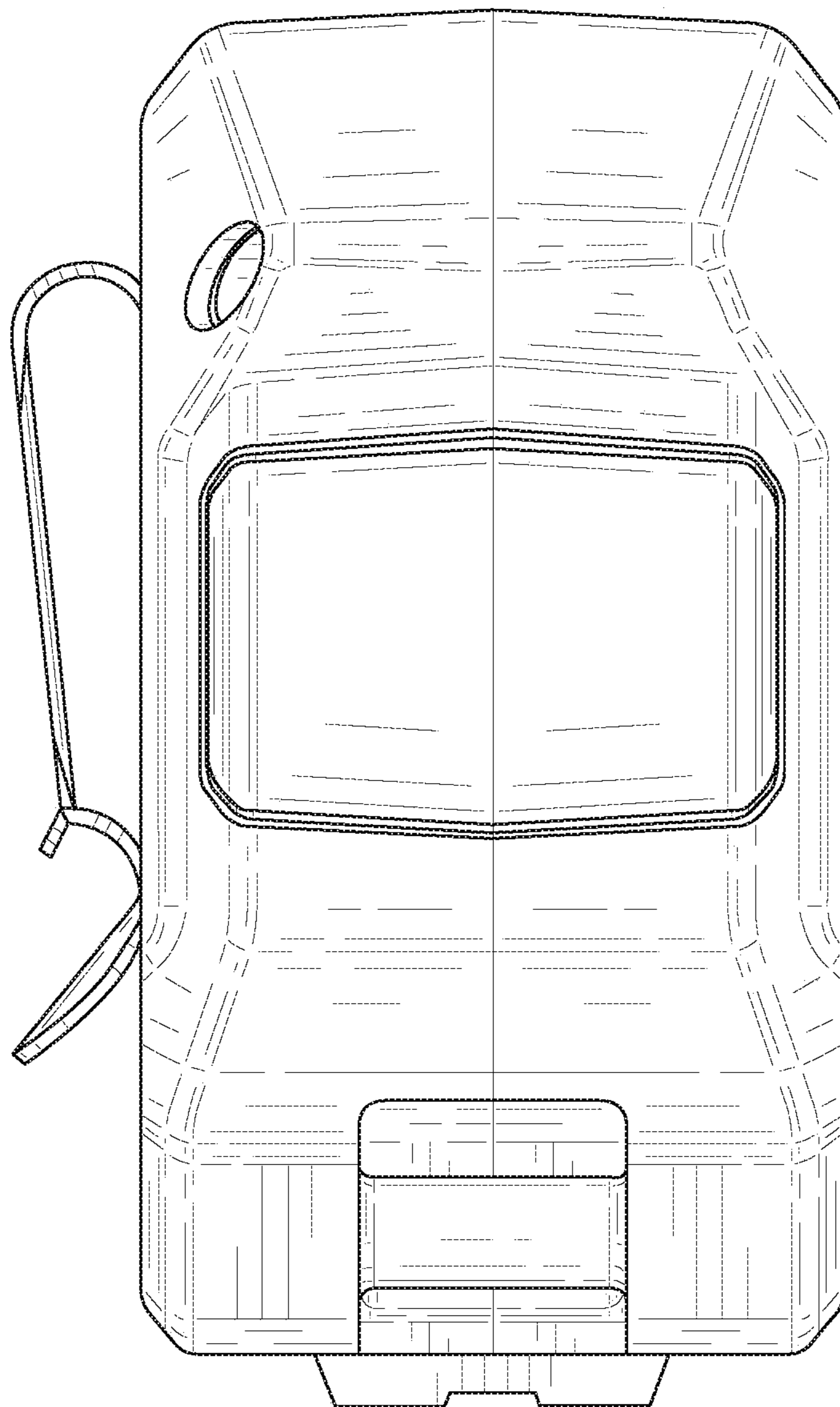


FIG. 8

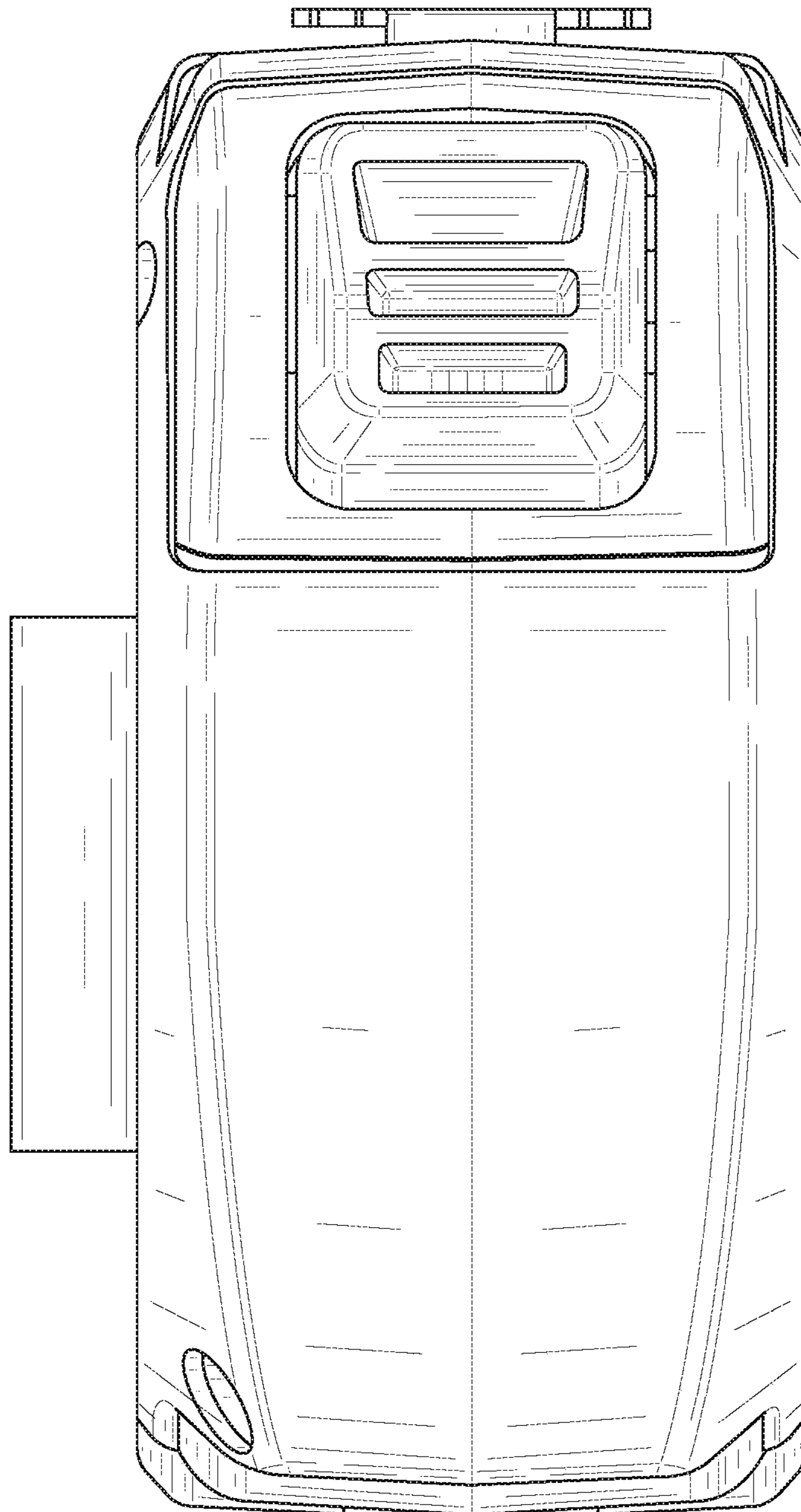


FIG. 9

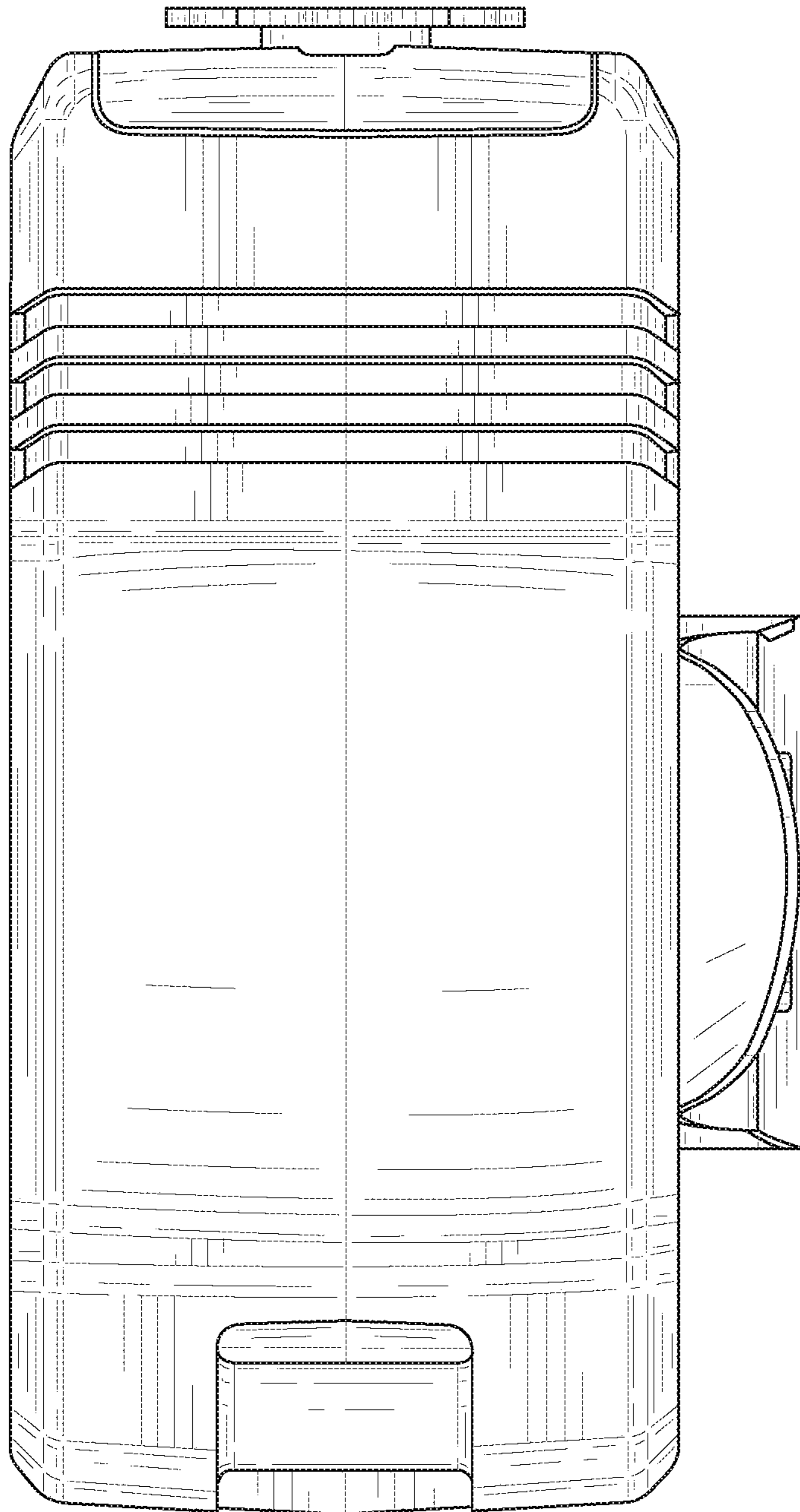


FIG. 10

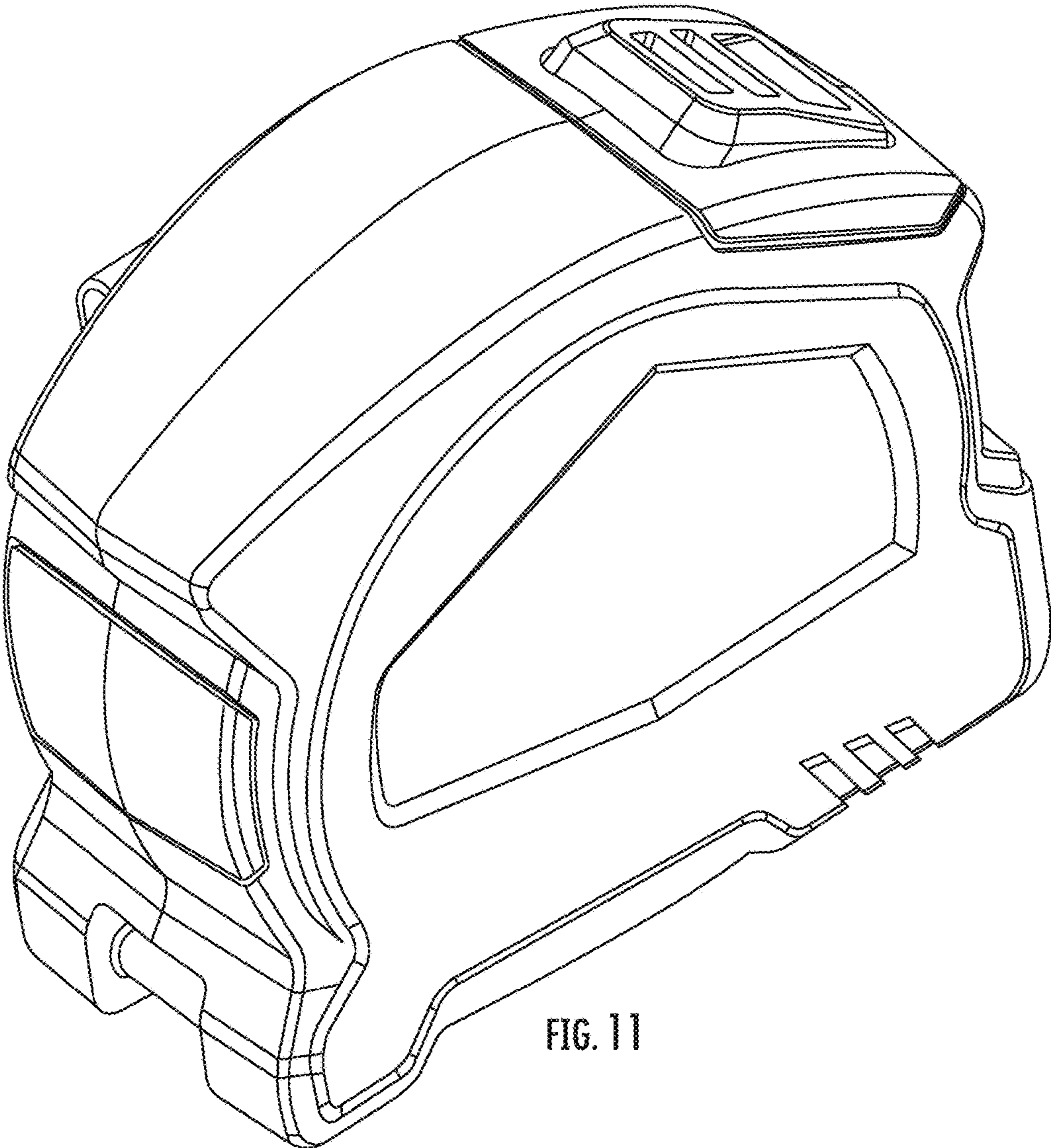
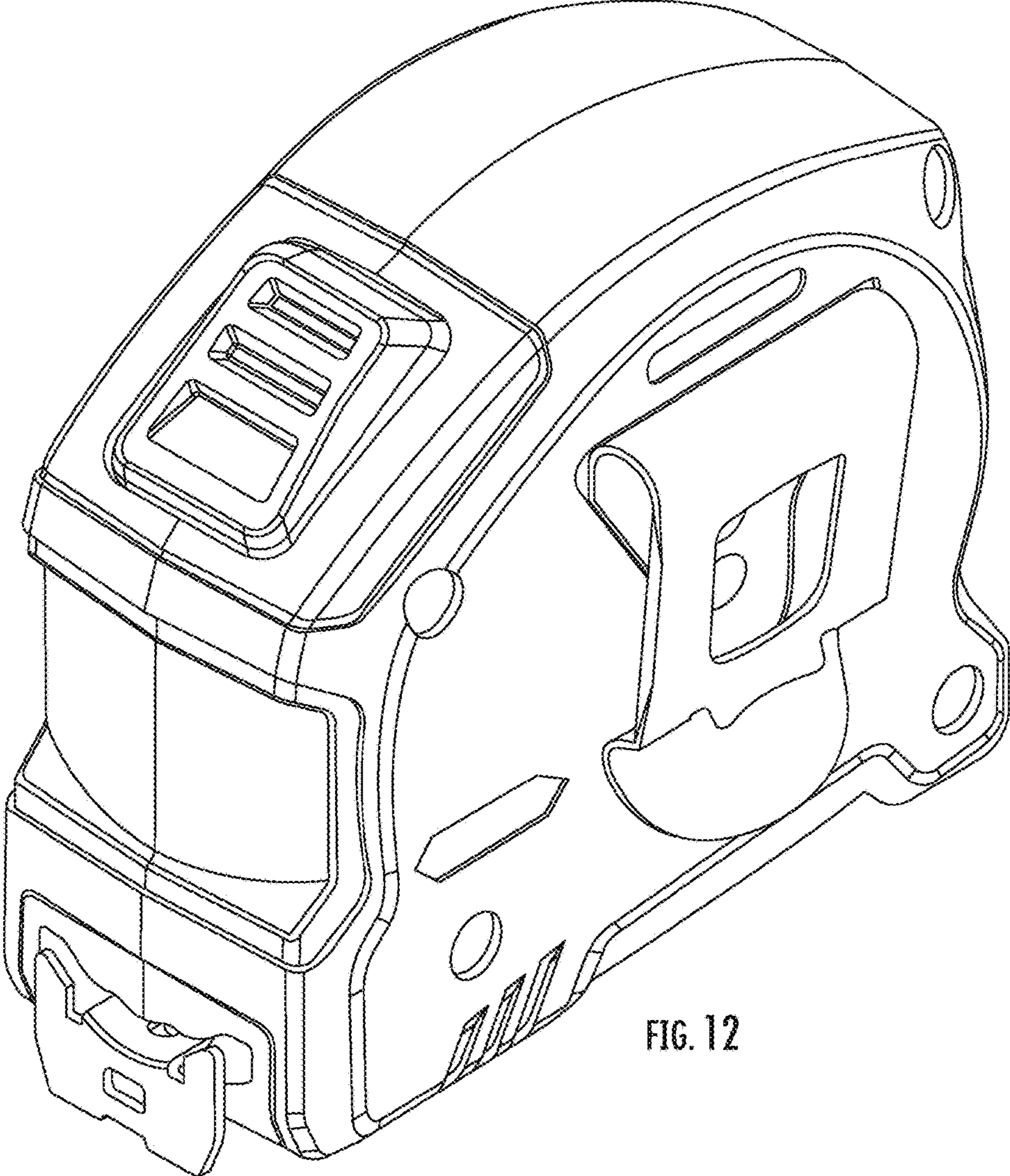


FIG. 11



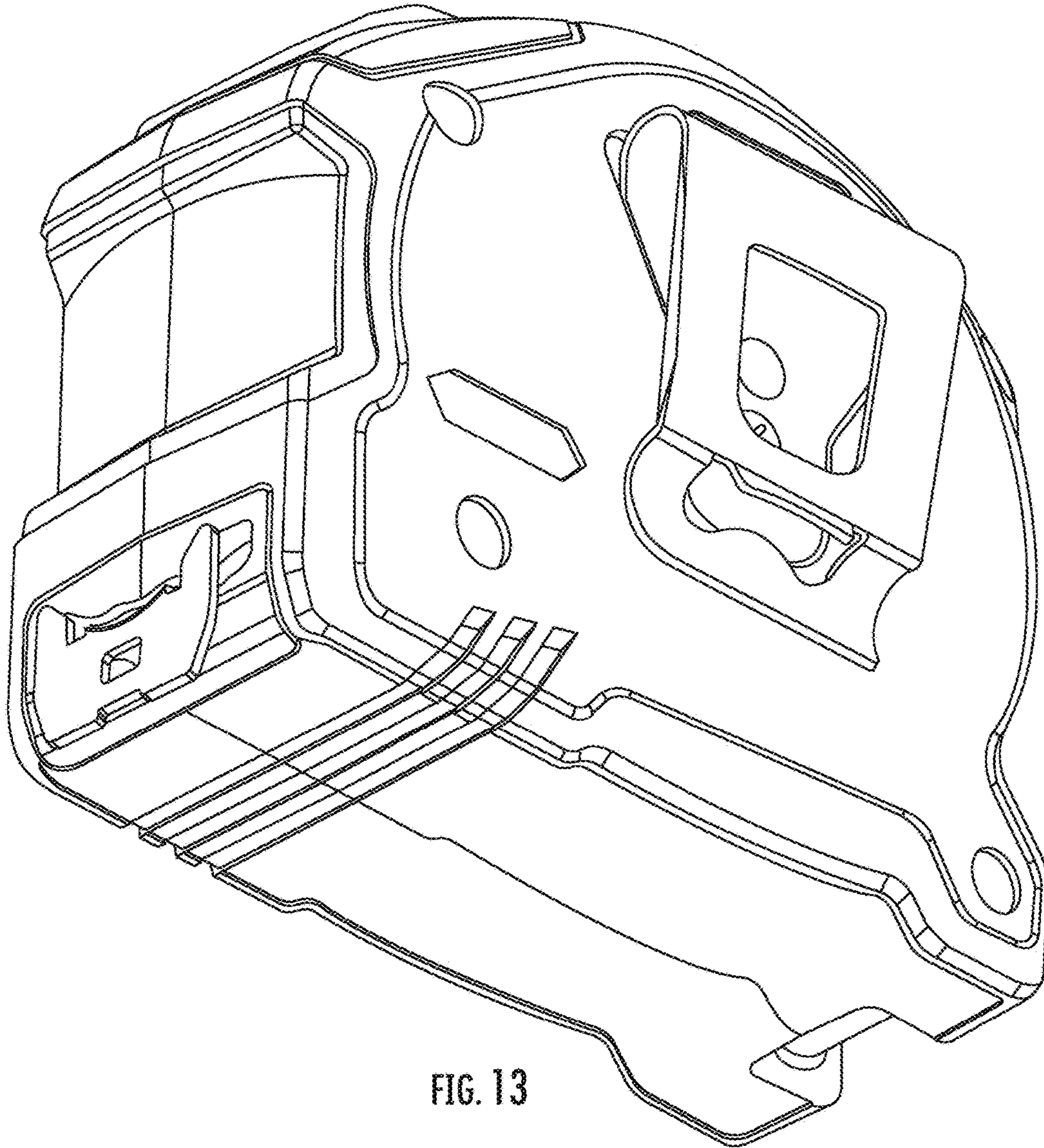


FIG. 13

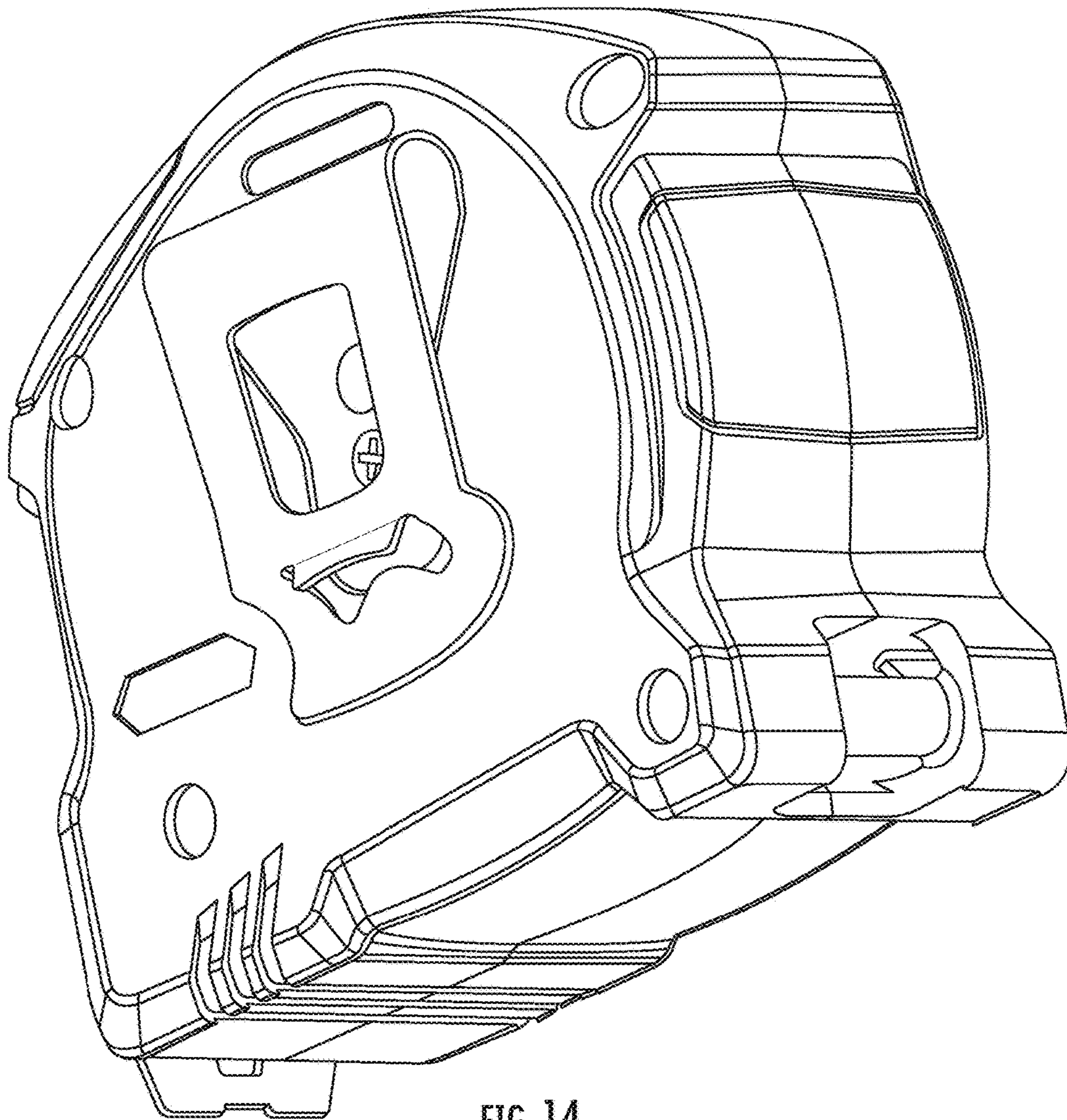


FIG. 14

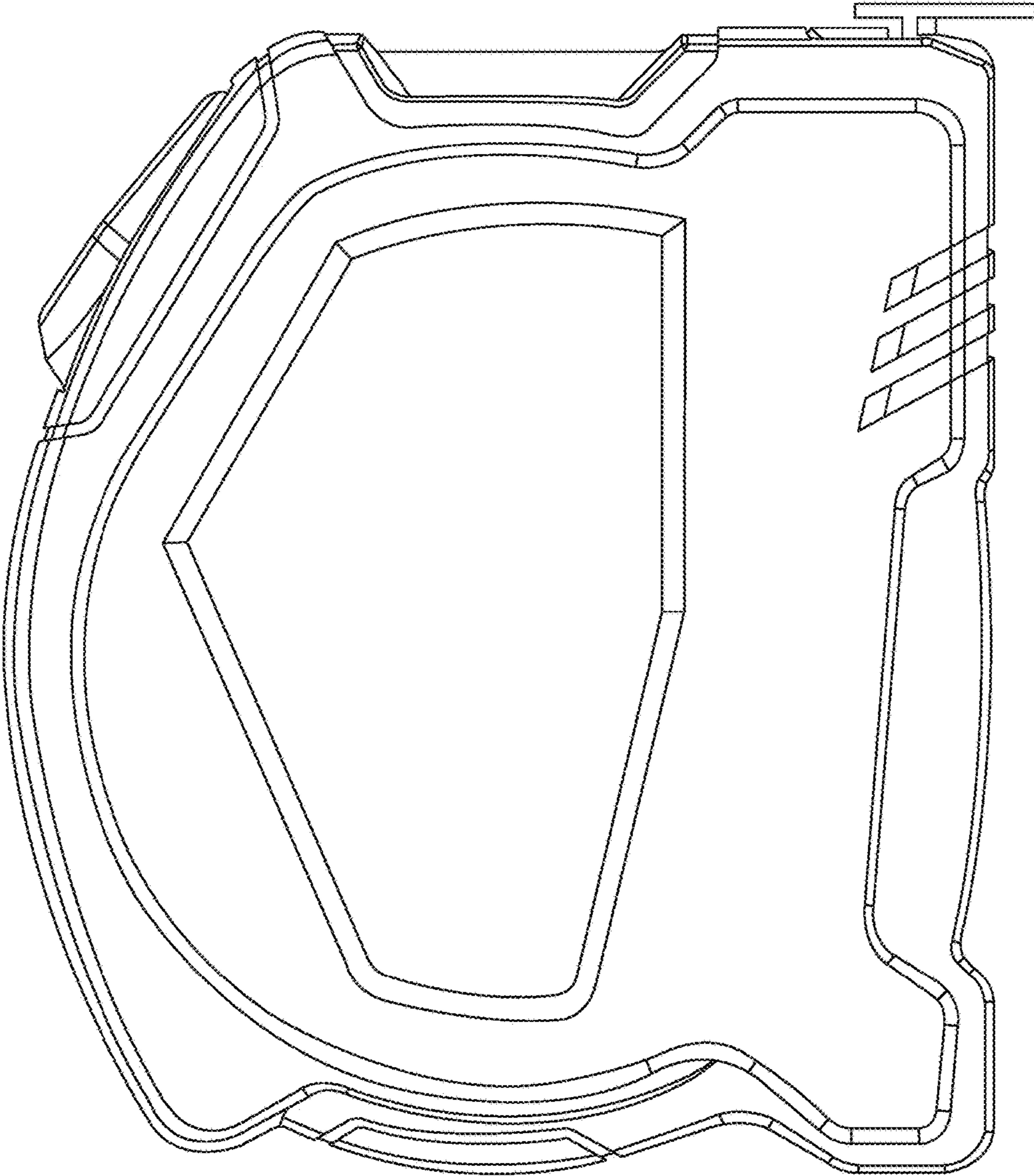


FIG. 15

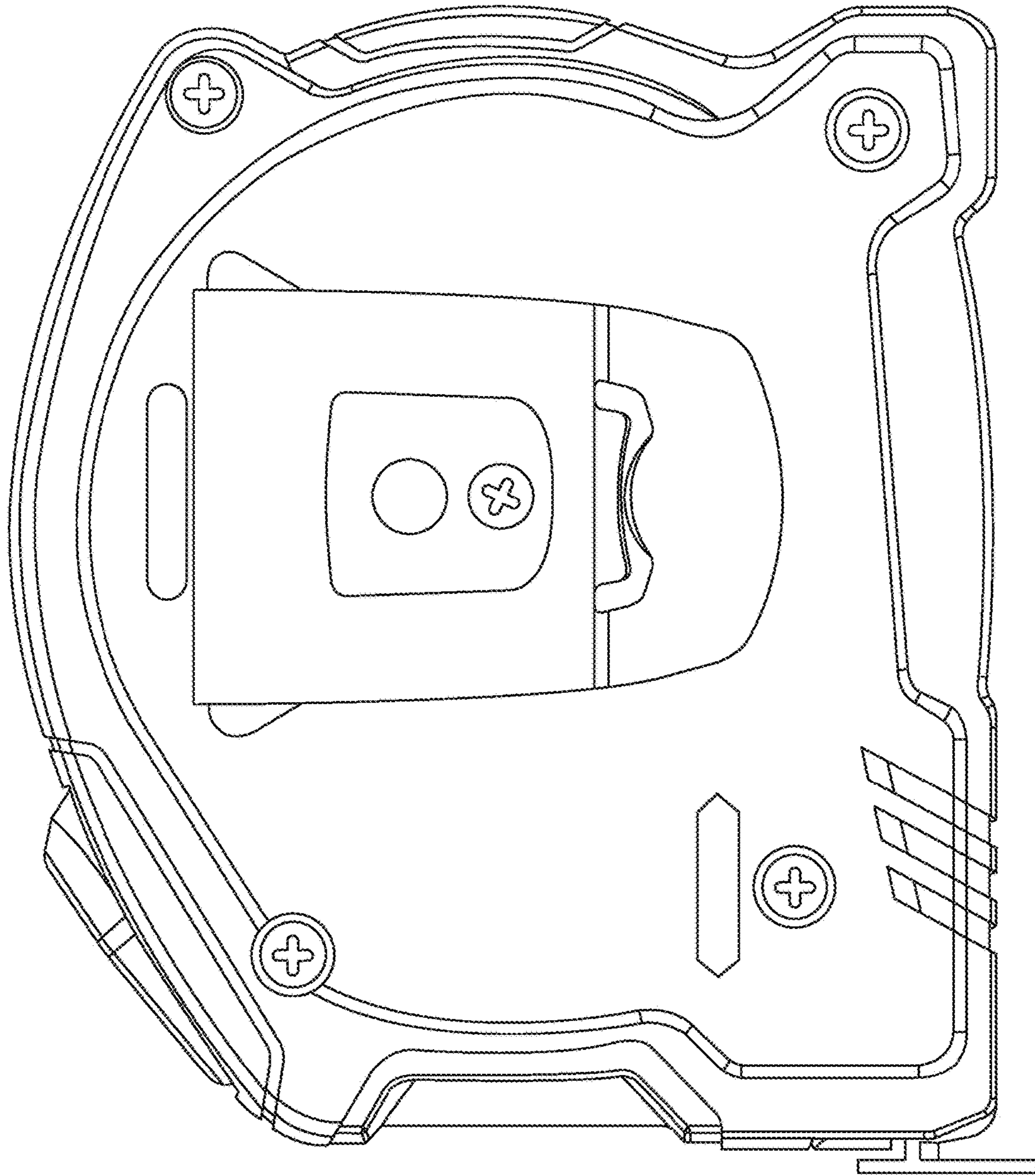


FIG. 16

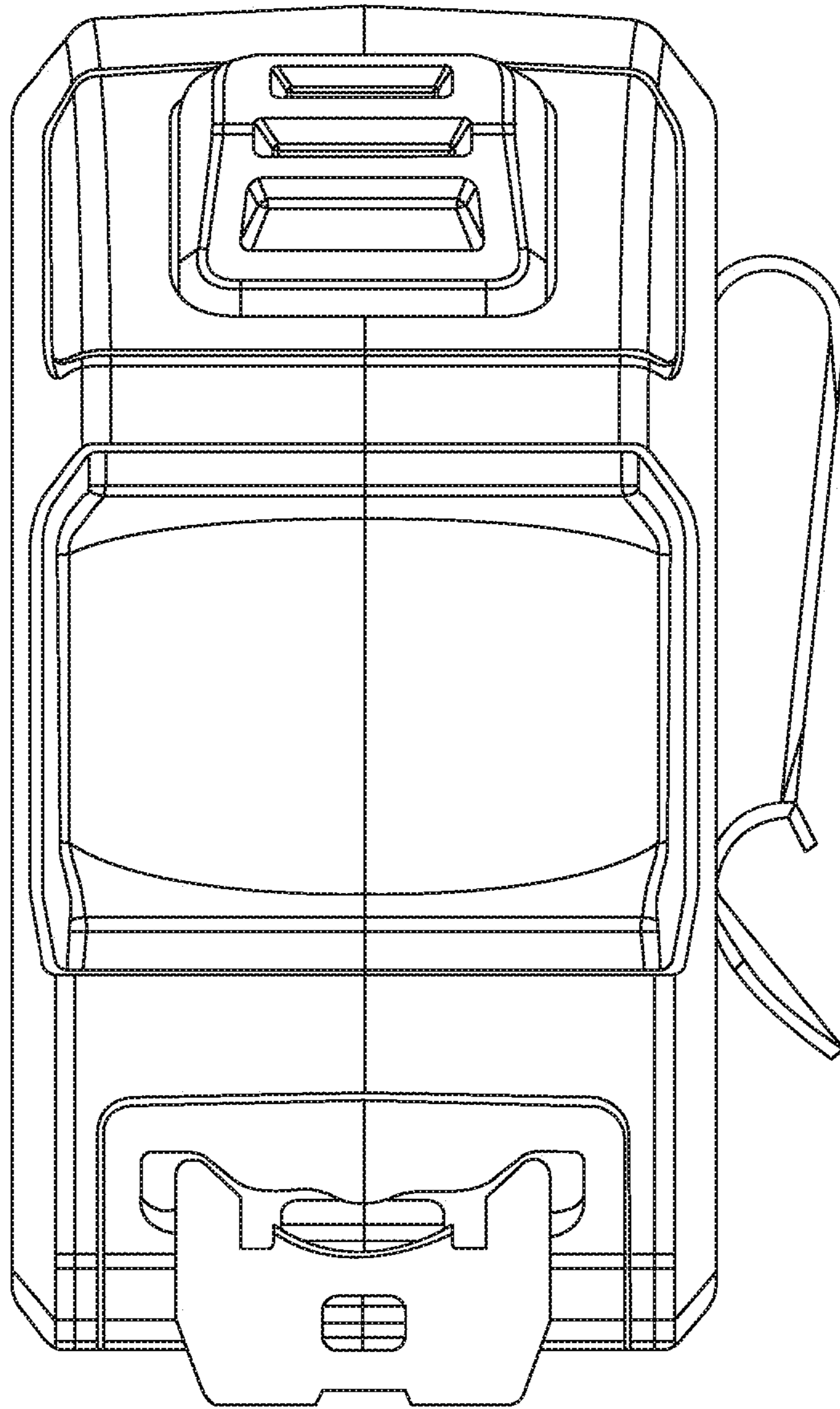


FIG. 17

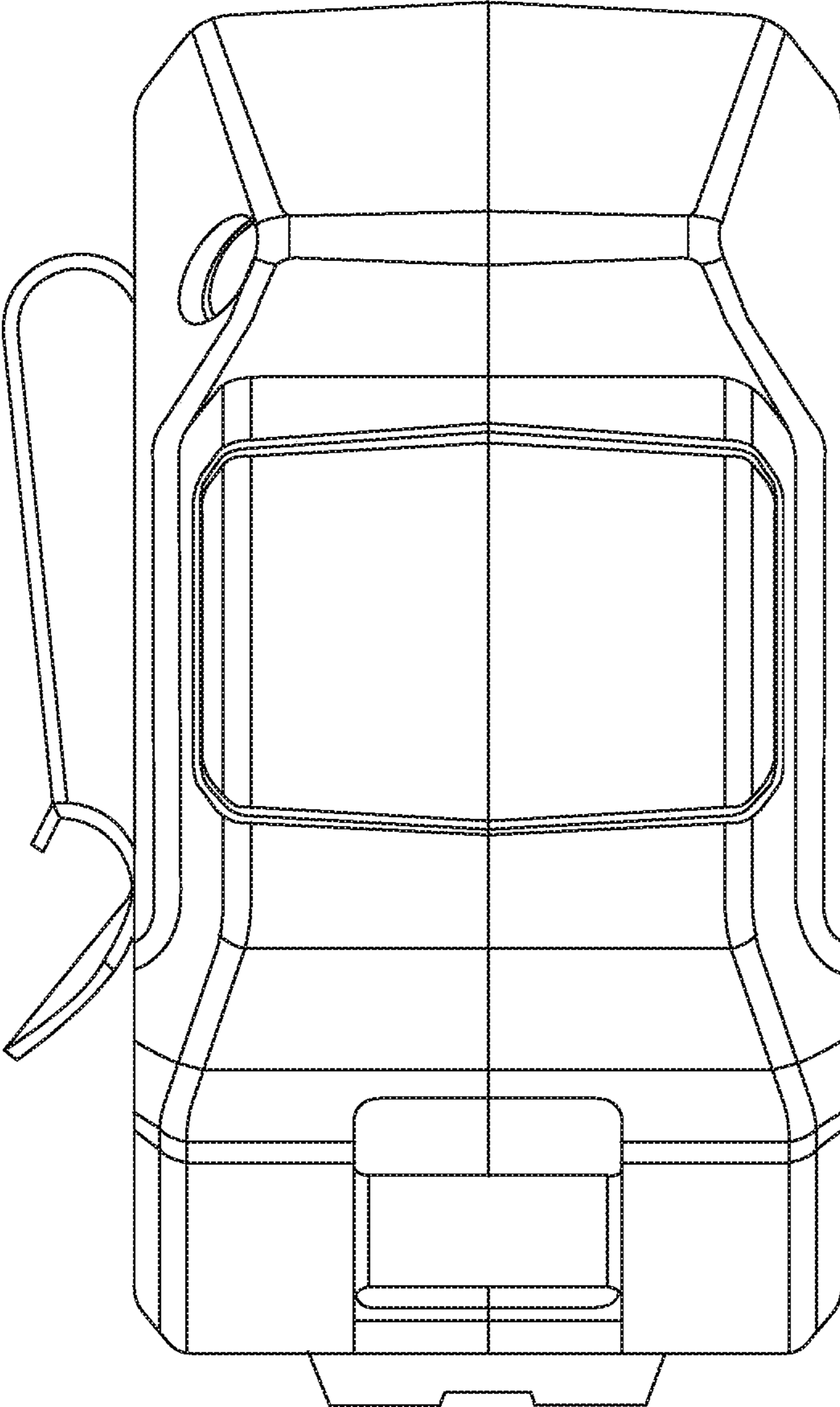


FIG. 18

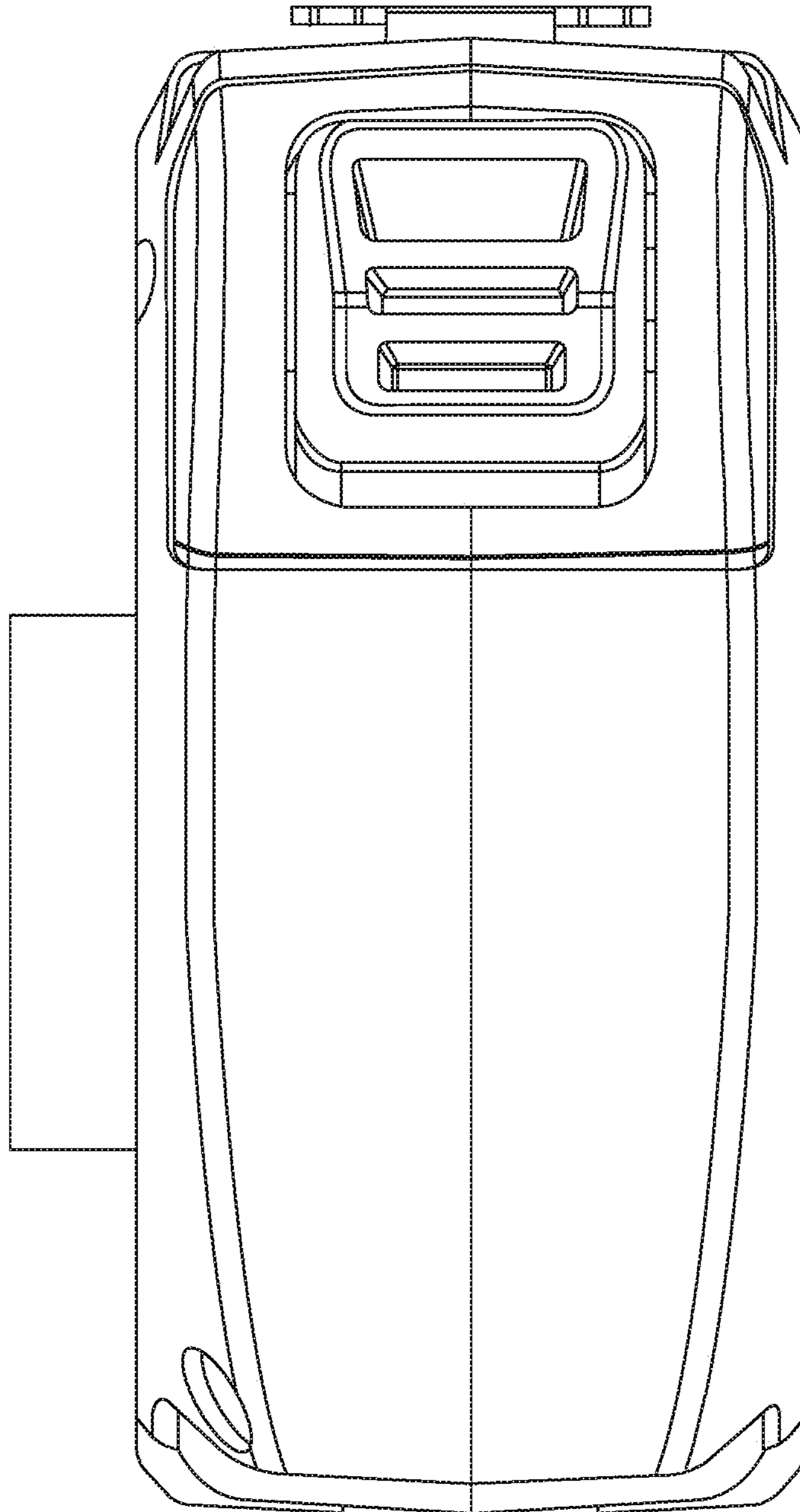


FIG. 19

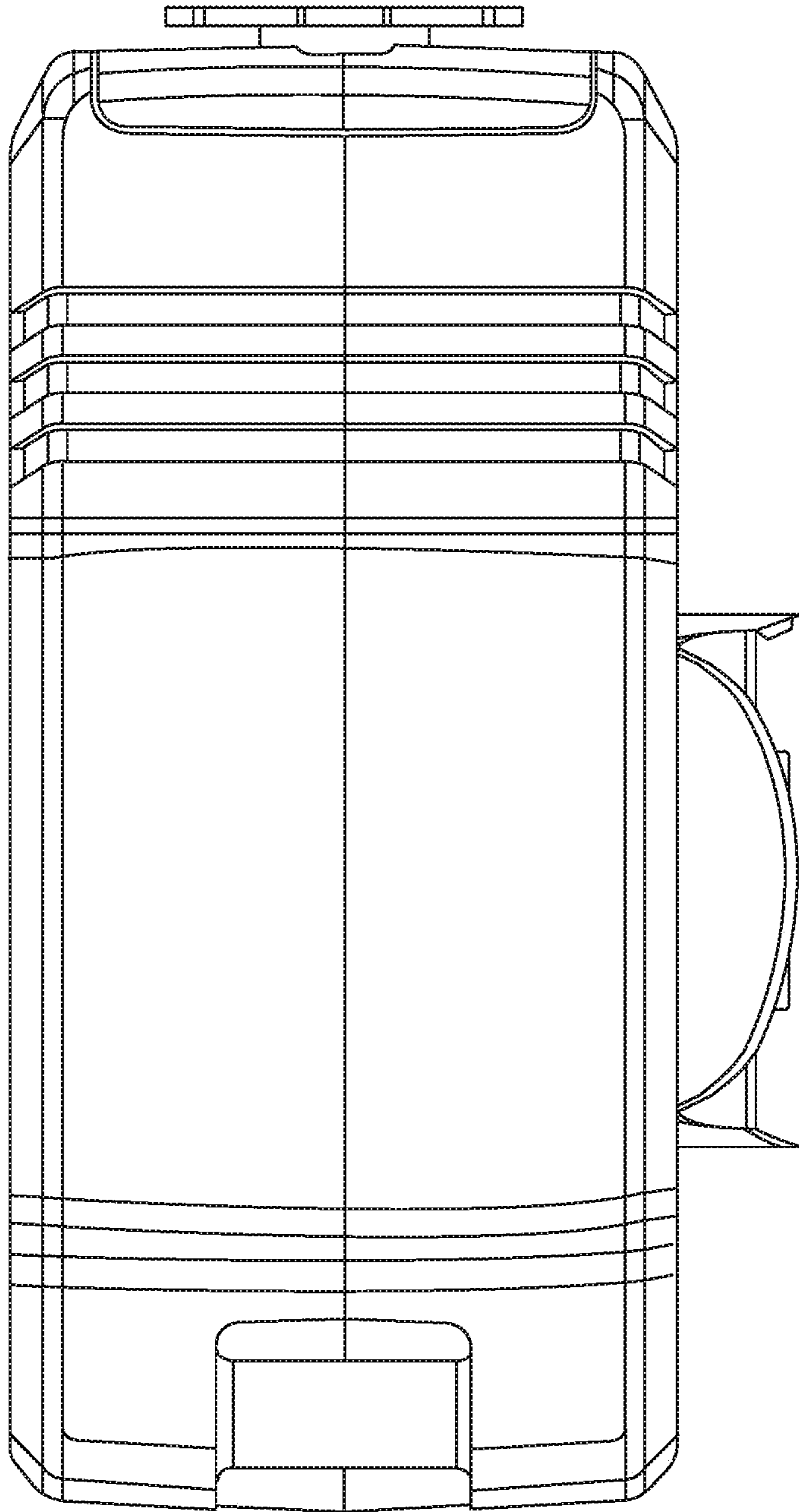


FIG. 20