



US00D859184S

(12) **United States Design Patent**
Meis et al.

(10) **Patent No.:** **US D859,184 S**
(45) **Date of Patent:** **** Sep. 10, 2019**

(54) **FILTER-BORNE SENSOR HOUSING**

FOREIGN PATENT DOCUMENTS

(71) Applicant: **3M INNOVATIVE PROPERTIES COMPANY**, St. Paul, MN (US)

TW D130956 9/2009
TW D138365 12/2010

(72) Inventors: **Michael A. Meis**, Stillwater, MN (US);
Glen O. Gregerson, Hudson, WI (US)

* cited by examiner

(73) Assignee: **3M Innovative Properties Company**,
St. Paul, MN (US)

Primary Examiner — Antoine Duval Davis

(74) *Attorney, Agent, or Firm* — Kevin Weber

(**) Term: **15 Years**

(21) Appl. No.: **29/629,042**

(22) Filed: **Dec. 11, 2017**

(51) **LOC (12) Cl.** **10-04**

(52) **U.S. Cl.**
USPC **D10/52; D10/83; D10/96**

(58) **Field of Classification Search**
USPC D10/46, 52, 60, 83, 96; D23/386
CPC B01D 46/44; B01D 46/442; B01D 46/444;
B01D 46/446; B01D 46/448; B01D
46/46; B01D 46/0086; G01L 19/08;
H04W 4/38; F24F 11/0086; F24F
2011/0093; F24F 11/30; F24F 11/39;
Y10S 116/25

See application file for complete search history.

(56) **References Cited**

U.S. PATENT DOCUMENTS

3,024,655 A * 3/1962 Dwyer B01D 46/446
116/272
6,110,260 A * 8/2000 Kubokawa B01D 46/0086
96/26
6,412,435 B1 * 7/2002 Timmons, Jr. B01D 46/0086
116/70
D799,998 S * 10/2017 Wolf D10/52

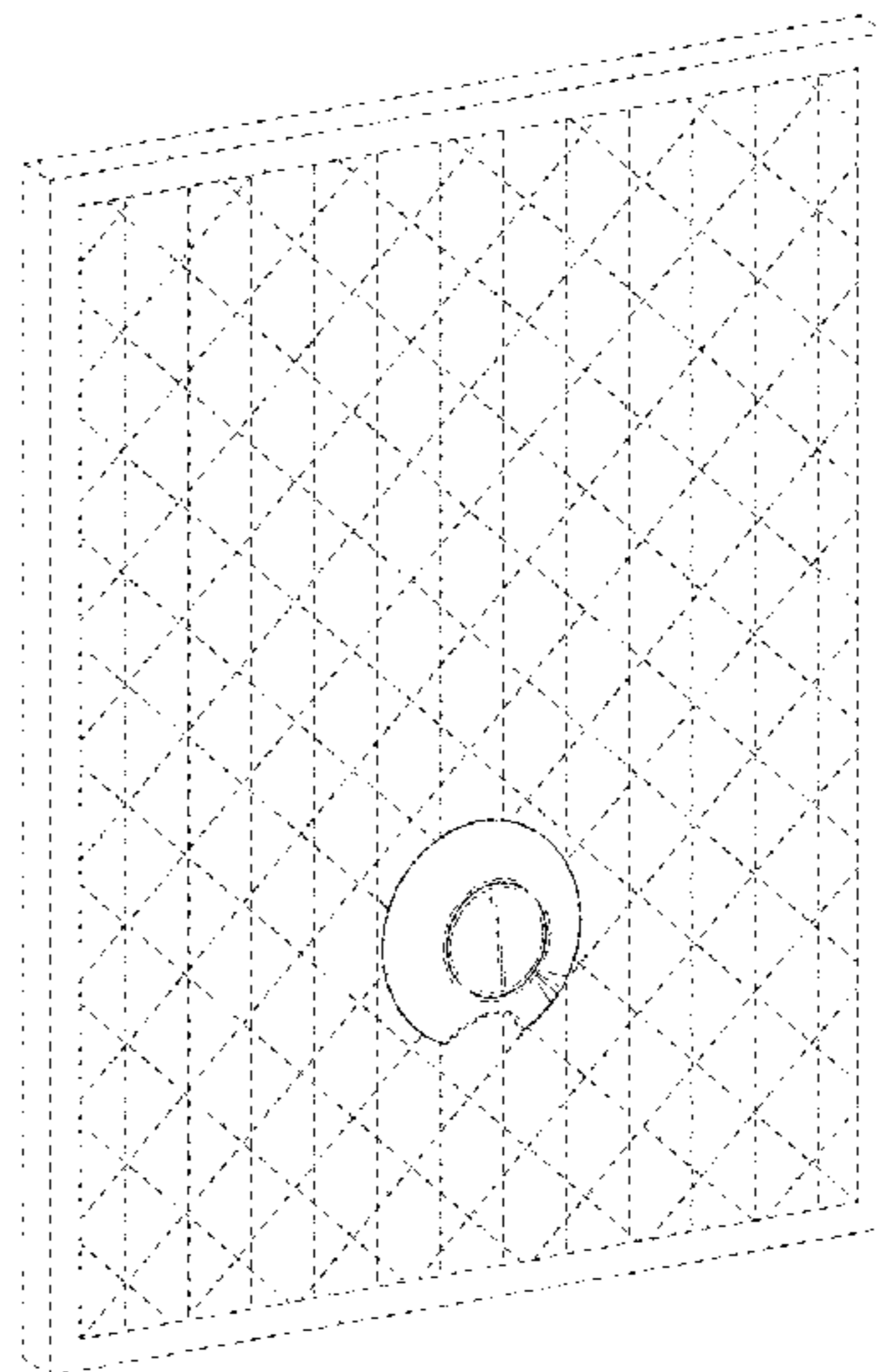
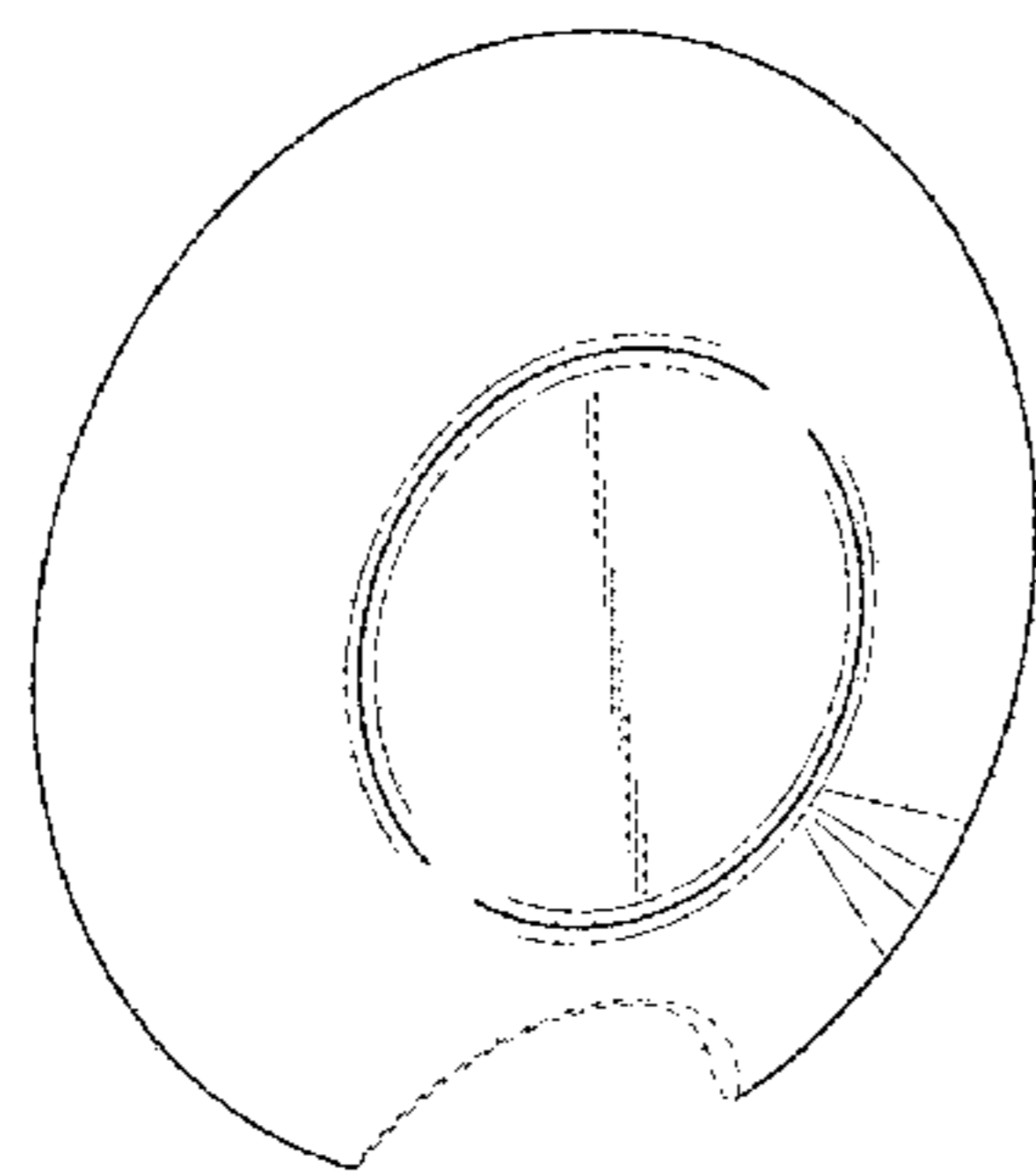
(57) **CLAIM**

The ornamental design for a filter-borne sensor housing, as shown and described.

DESCRIPTION

FIG. 1 is a perspective view showing the new design for a filter-borne sensor housing;
FIG. 2 is a front view thereof;
FIG. 3 is a rear view thereof;
FIG. 4 is a top view thereof;
FIG. 5 is a bottom view thereof;
FIG. 6 is a left side view thereof, a right side view being a mirror image thereof; and,
FIG. 7 is a perspective view showing the sensor housing of FIGS. 1-6 coupled to an air filter.
The portions of the filter-borne sensor housing in FIGS. 1-6 and the air filter in FIG. 7 shown in broken lines are included to show features that form no part of the claimed design.

1 Claim, 3 Drawing Sheets



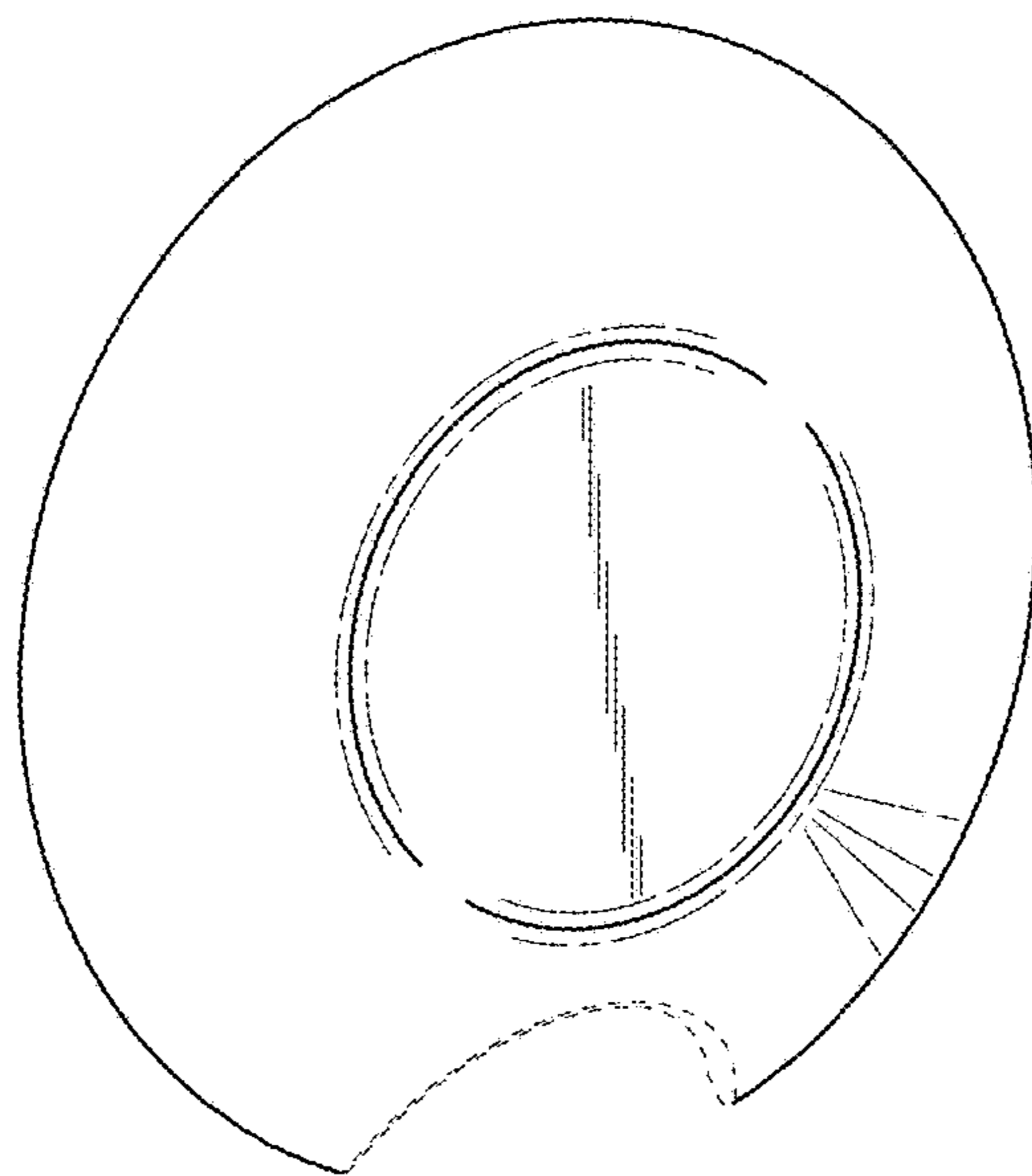


Fig. 1

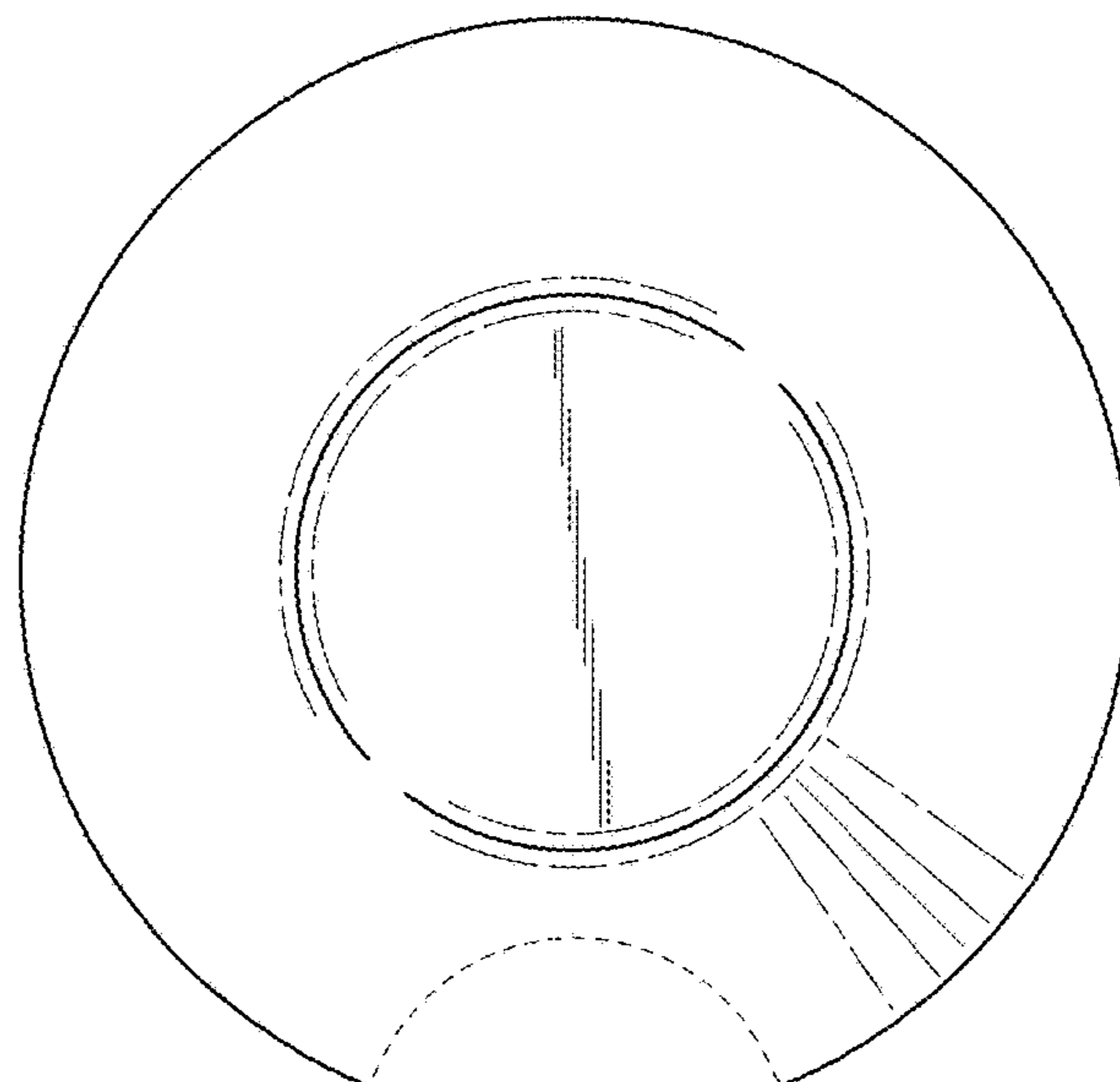


Fig. 2

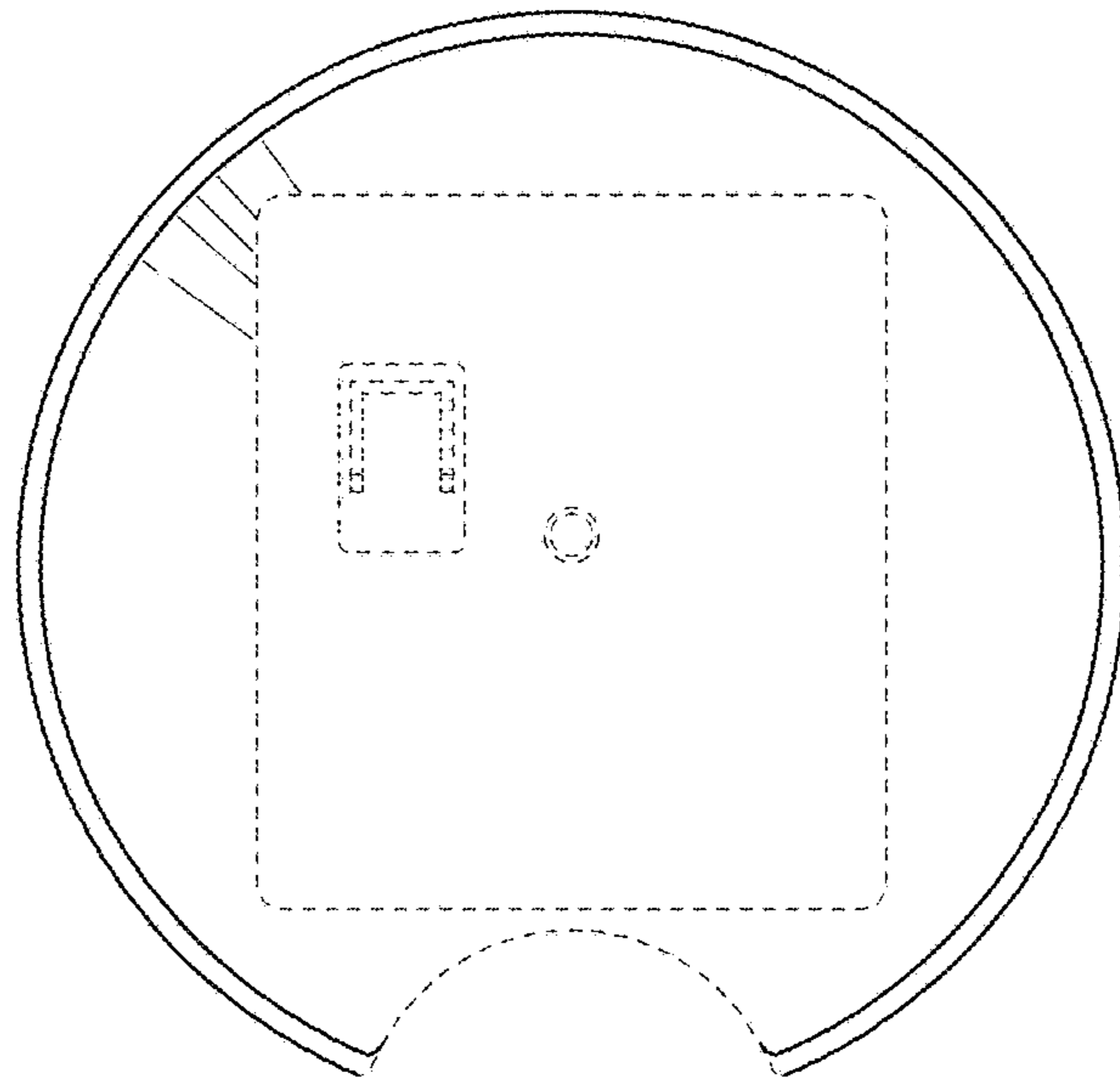


Fig. 3



Fig. 4

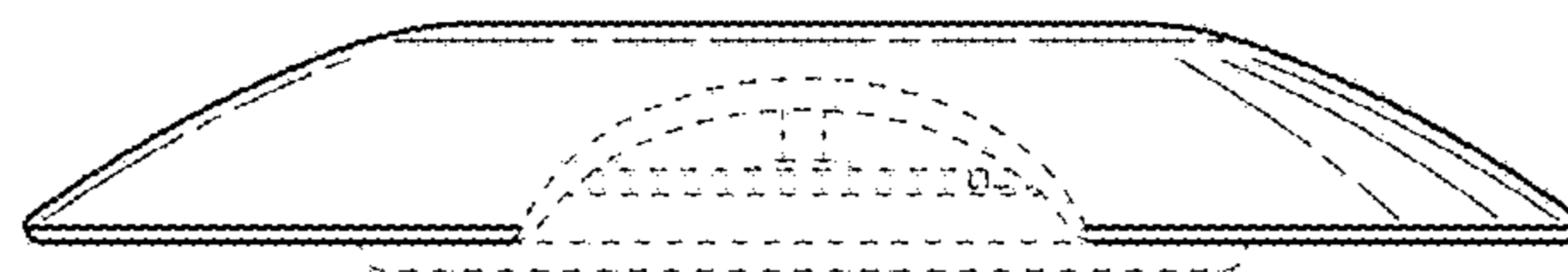


Fig. 5

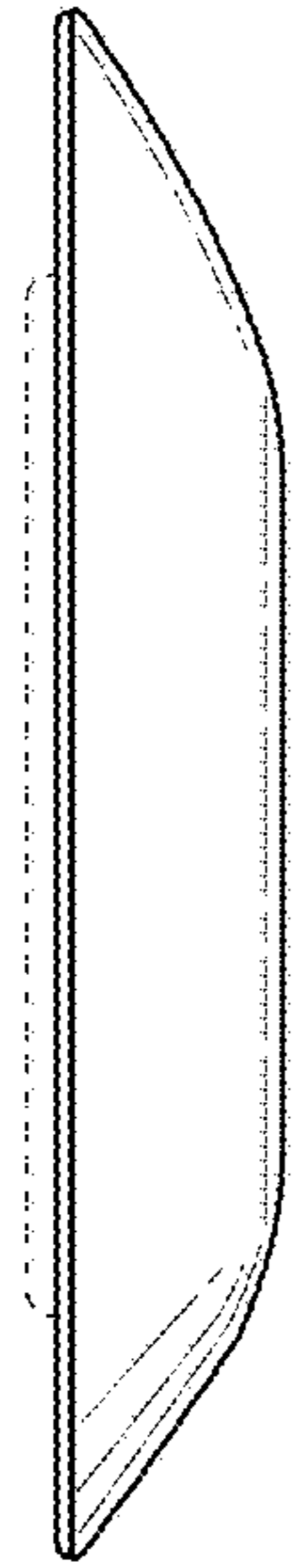


Fig. 6

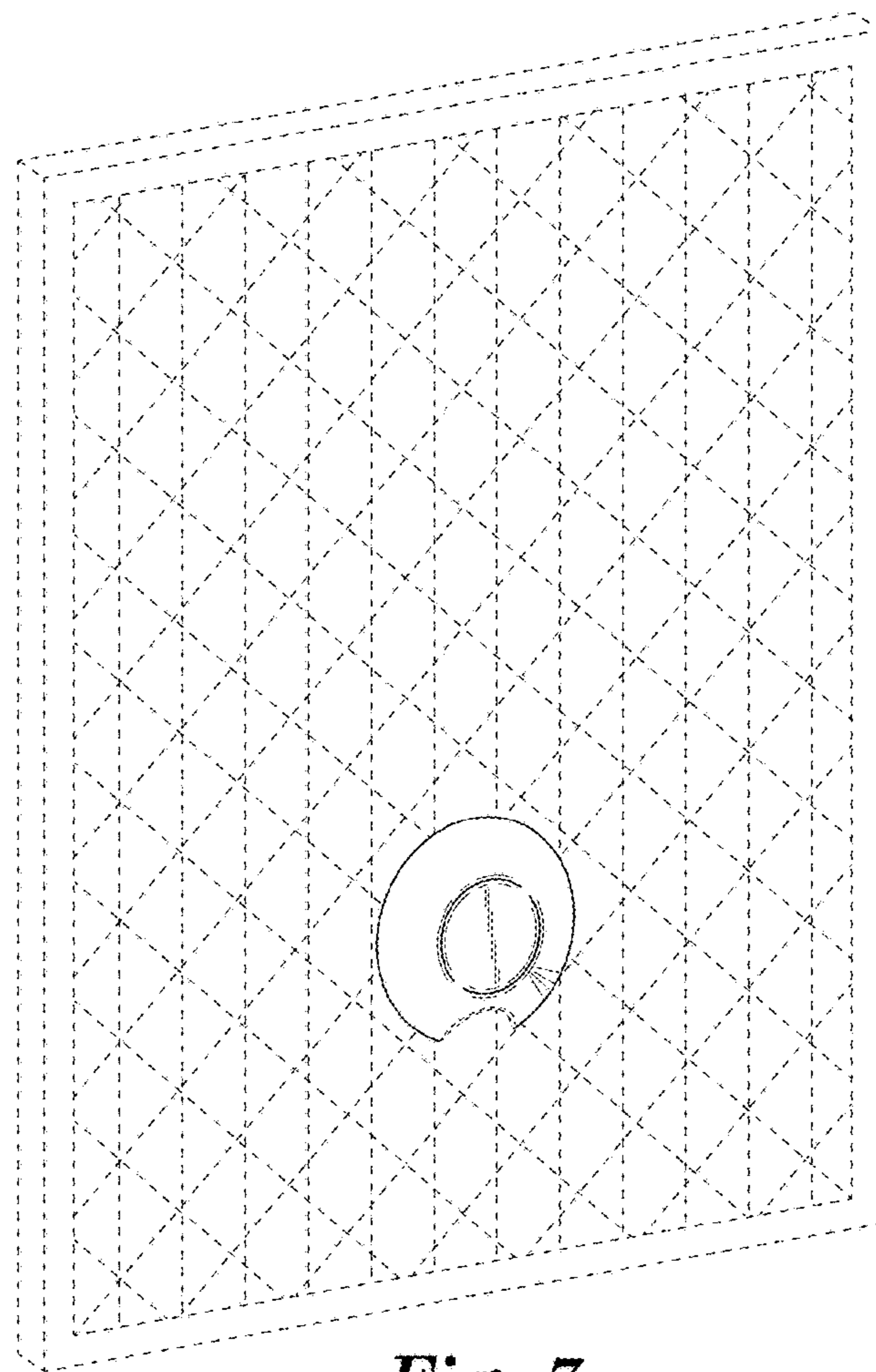


Fig. 7