

US00D859183S

(12) **United States Design Patent**  
**Dubos**

(10) **Patent No.:** **US D859,183 S**

(45) **Date of Patent:** **\*\* Sep. 10, 2019**

(54) **METAL DETECTOR**

3/265; G01V 3/28; G01V 3/30; G01V 3/32; G01V 3/34; G01V 3/36; G01V 3/38; G01V 3/40

(71) Applicant: **SARL XPLOER (societe à responsabilité limitée)**, Mervilla (FR)

See application file for complete search history.

(72) Inventor: **Loïc Dubos**, Toulouse (FR)

(56) **References Cited**

(73) Assignee: **SARL XPLOER (SOCIETE A RESPONSABILITE LIMITEE)**, Mervilla (FR)

U.S. PATENT DOCUMENTS

(\*\*) Term: **15 Years**

7,940,048 B2 \* 5/2011 Skultety-Betz ..... G01V 3/15  
324/228  
8,020,425 B2 \* 9/2011 Skultety-Betz ..... G01V 3/15  
73/1.79  
D793,884 S \* 8/2017 Verity ..... D10/47

(21) Appl. No.: **29/645,039**

\* cited by examiner

(22) Filed: **Apr. 23, 2018**

*Primary Examiner* — Antoine Duval Davis

(30) **Foreign Application Priority Data**

(74) *Attorney, Agent, or Firm* — Young & Thompson

Feb. 27, 2018 (EM) ..... 004729184-0001

(51) **LOC (12) Cl.** ..... **10-04**

(52) **U.S. Cl.**  
USPC ..... **D10/47**

(58) **Field of Classification Search**  
USPC ..... D10/47

CPC ... G01V 3/00; G01V 3/02; G01V 3/04; G01V 3/06; G01V 3/08; G01V 3/081; G01V 3/082; G01V 3/083; G01V 2003/084; G01V 2003/085; G01V 2003/086; G01V 3/087; G01V 3/088; G01V 3/10; G01V 3/101; G01V 3/102; G01V 3/104; G01V 3/105; G01V 3/107; G01V 3/108; G01V 3/12; G01V 3/14; G01V 3/15; G01V 3/16; G01V 3/165; G01V 3/17; G01V 3/175; G01V 3/18; G01V 3/20; G01V 3/22; G01V 3/24; G01V 3/26; G01V

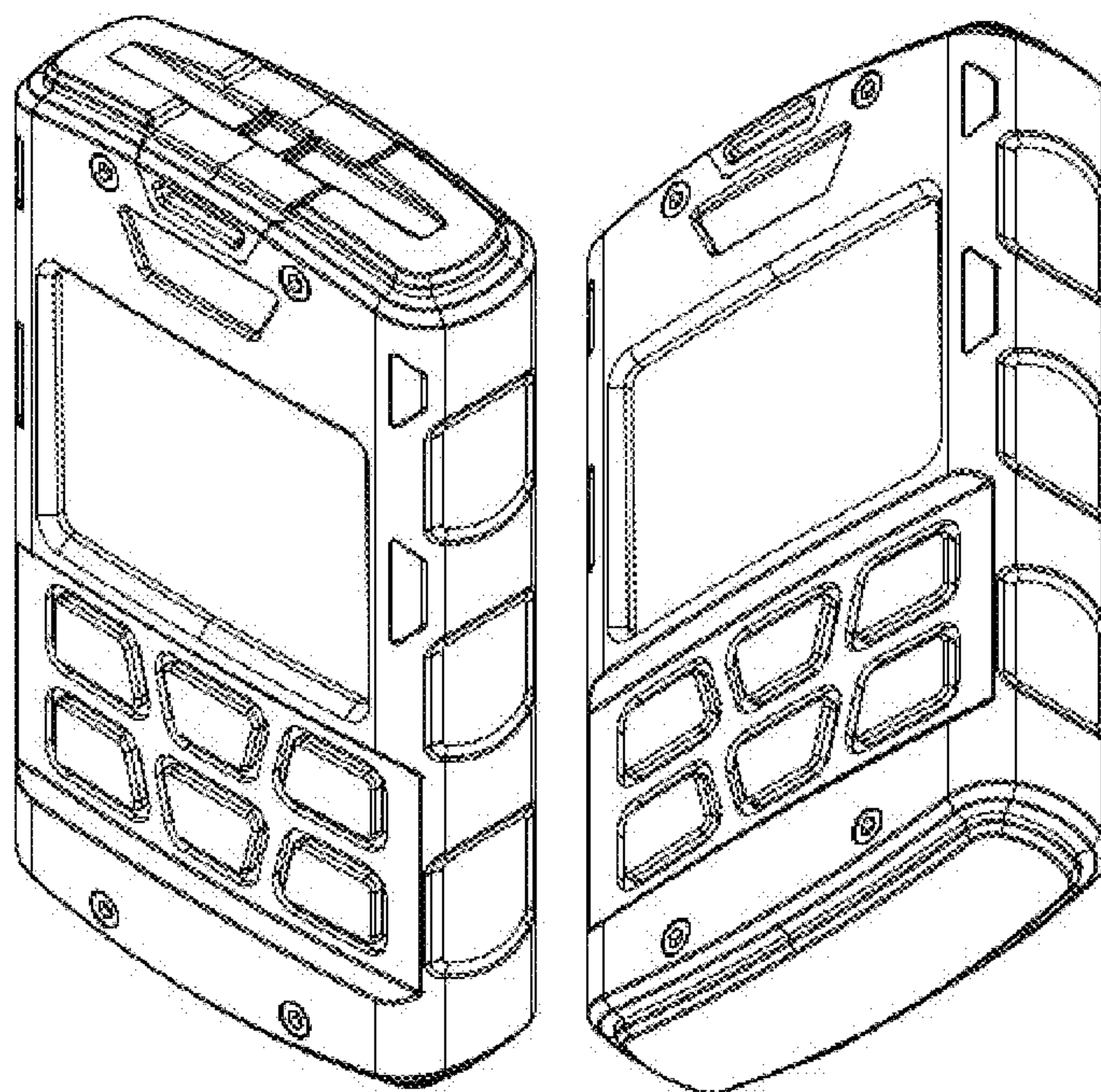
(57) **CLAIM**

The ornamental design for a metal detector, as shown and described.

**DESCRIPTION**

FIG. 1 is a top plan view showing the new design;  
FIG. 2 is a left side elevation view thereof;  
FIG. 3 is a rear elevation view thereof;  
FIG. 4 is a front elevation view thereof;  
FIG. 5 is a bottom plan view thereof;  
FIG. 6 is a front, top, and left side perspective view thereof;  
FIG. 7 is a front, bottom, and left side elevation view thereof; and,  
FIG. 8 is a right side elevation view thereof.

**1 Claim, 6 Drawing Sheets**



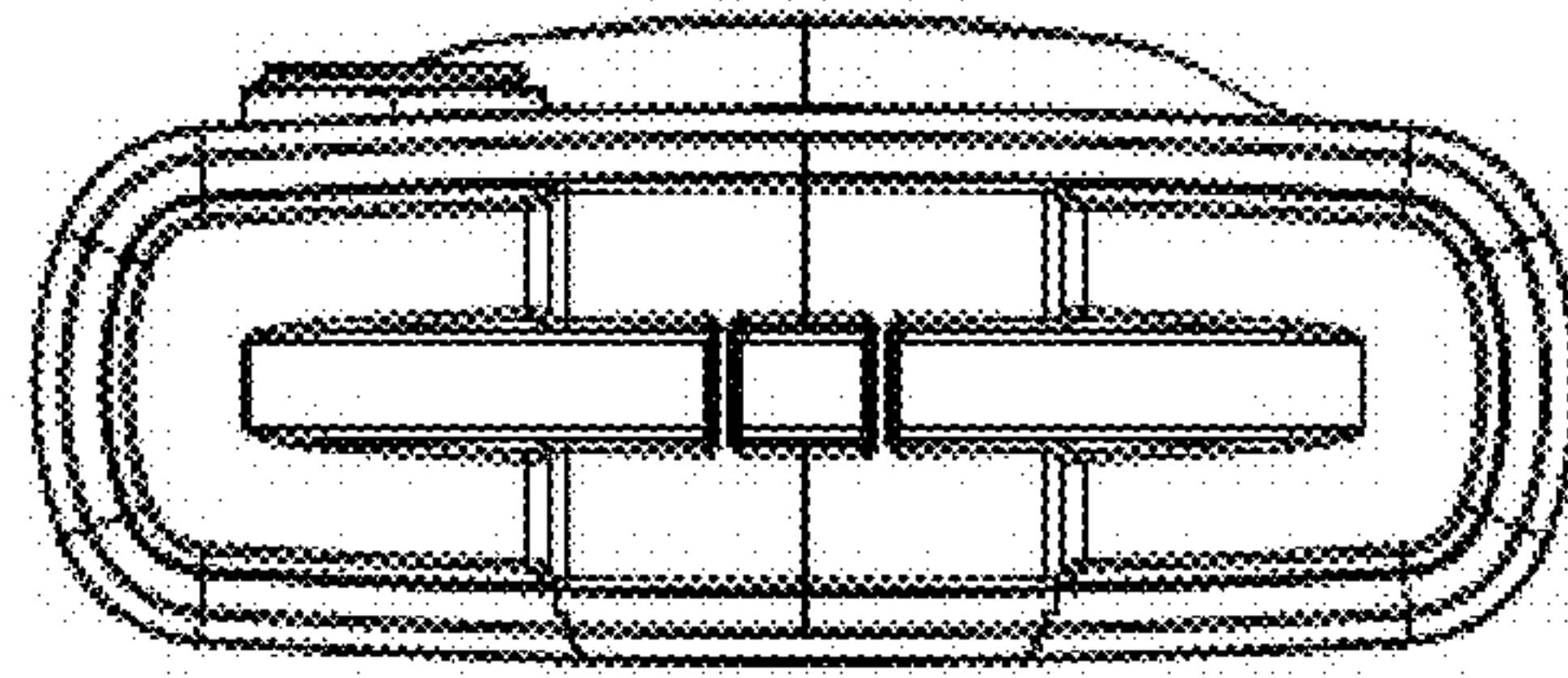


FIGURE 1

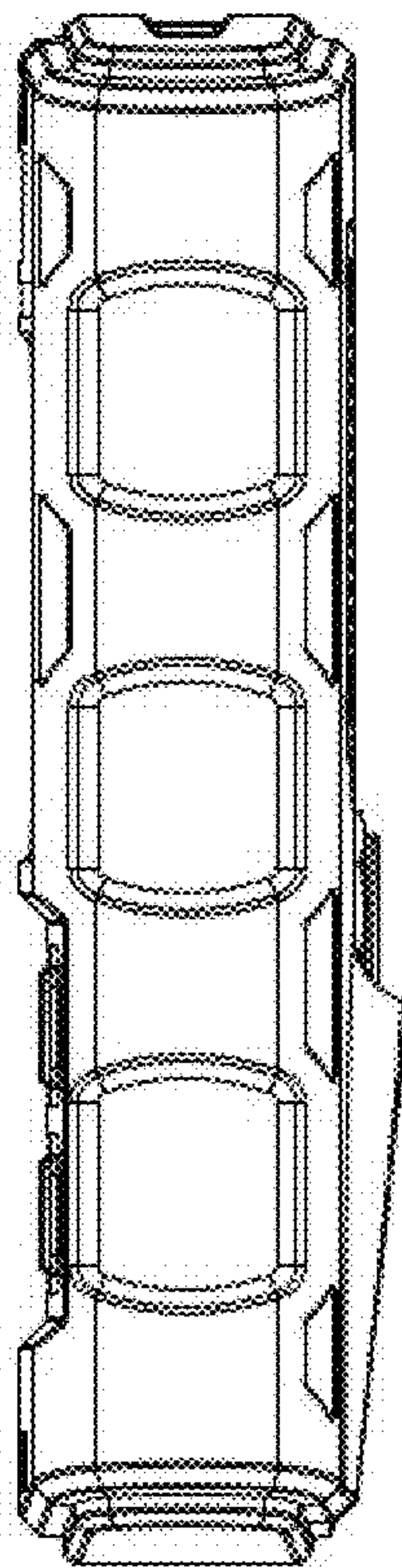


FIGURE 2

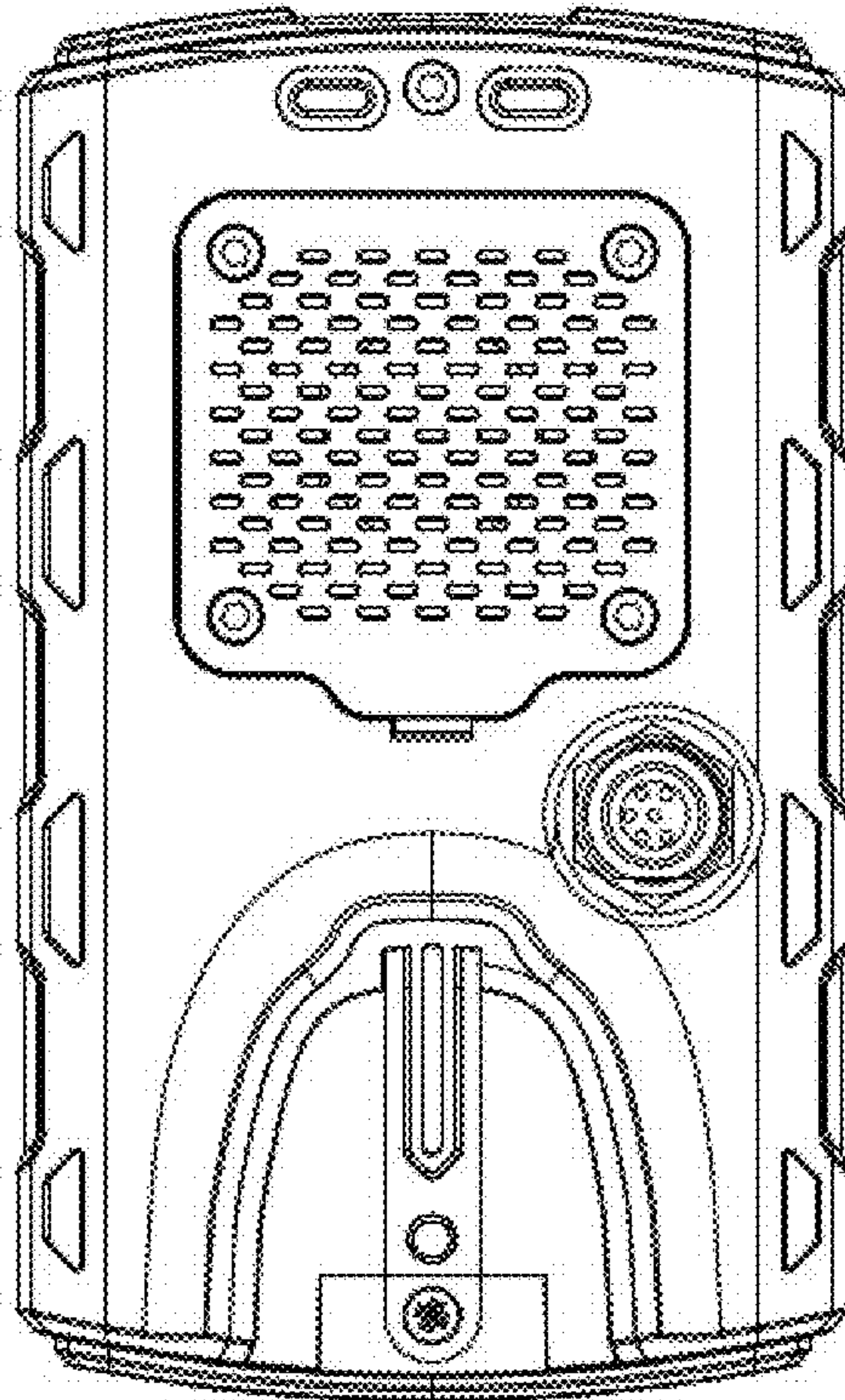


FIGURE 3



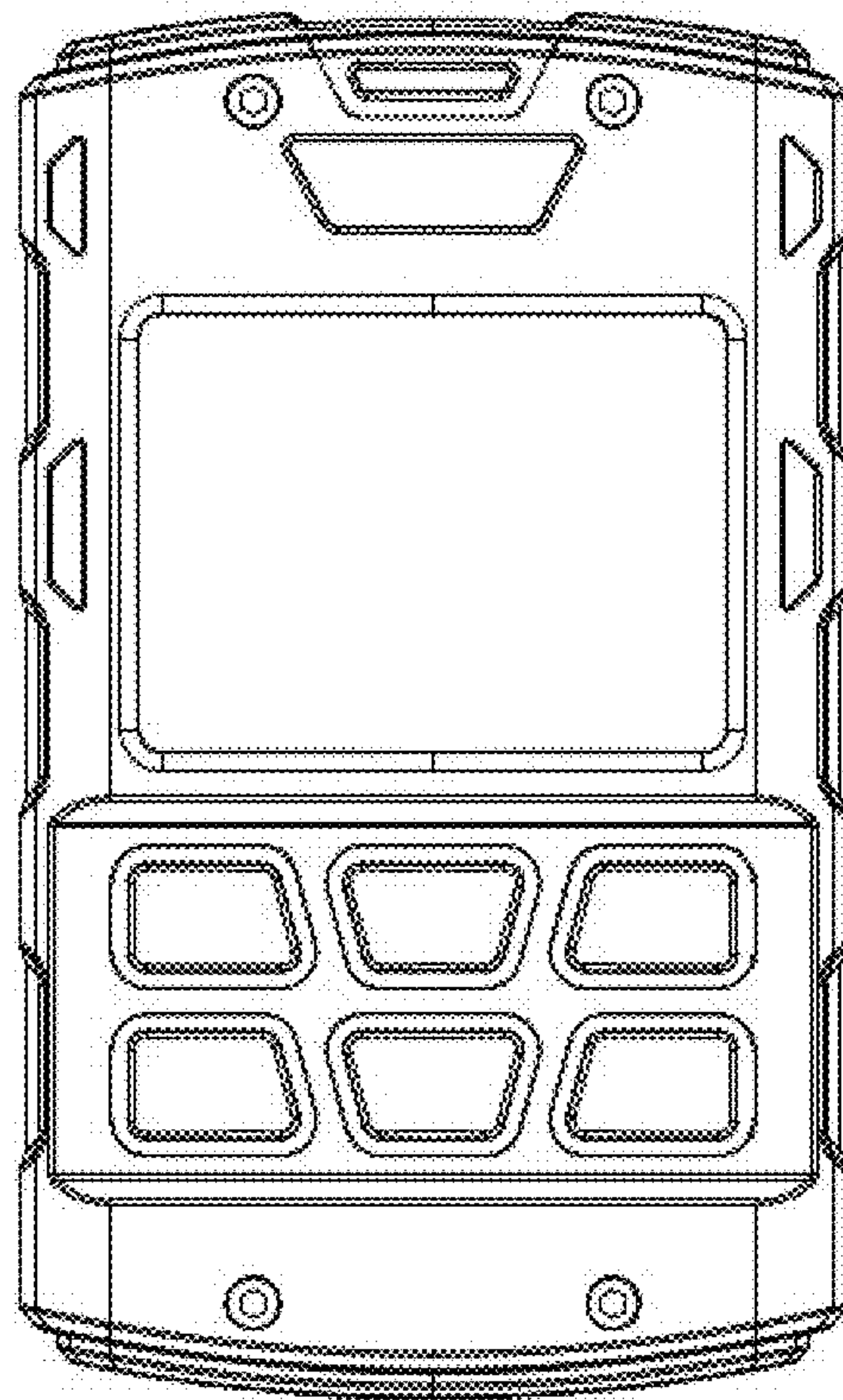


FIGURE 4

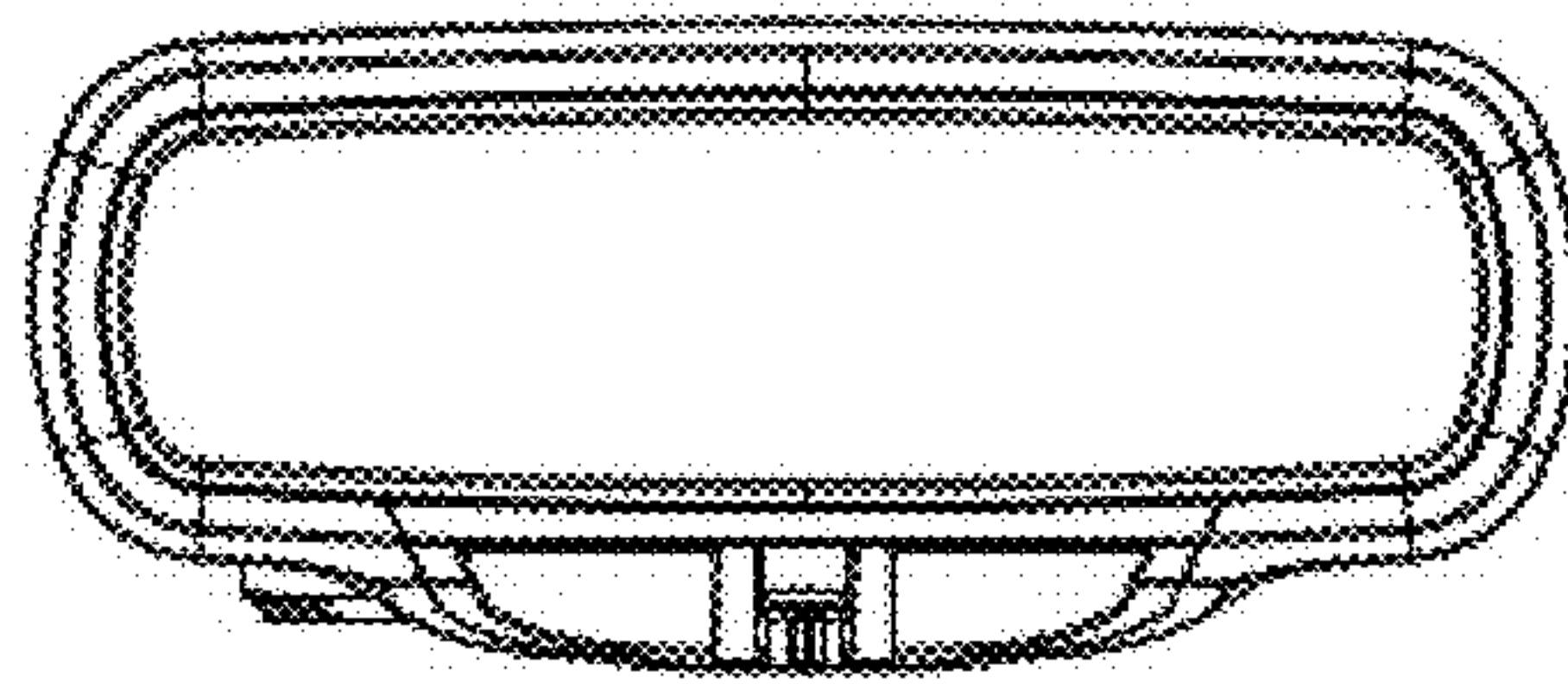


FIGURE 5

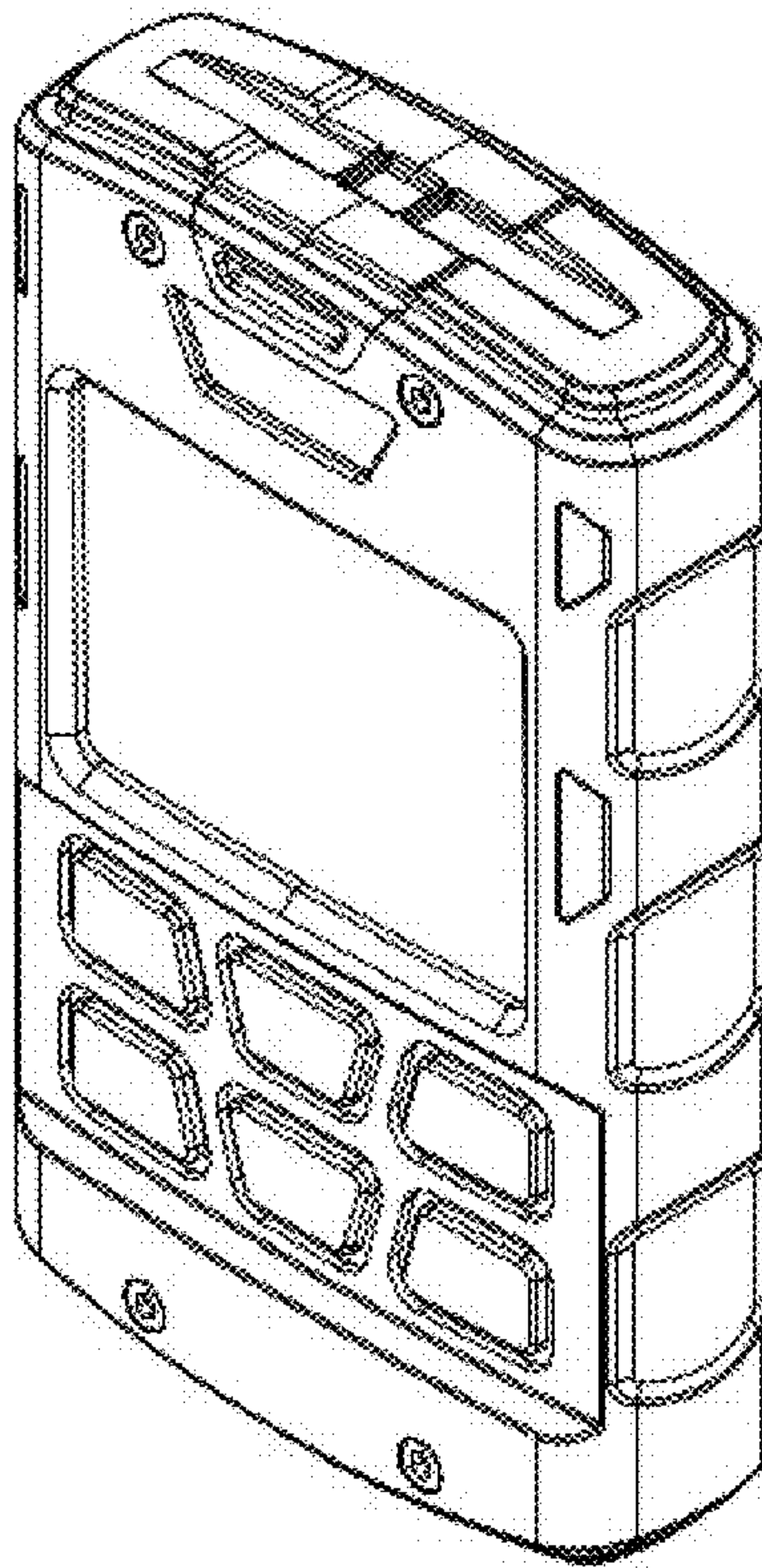


FIGURE 6

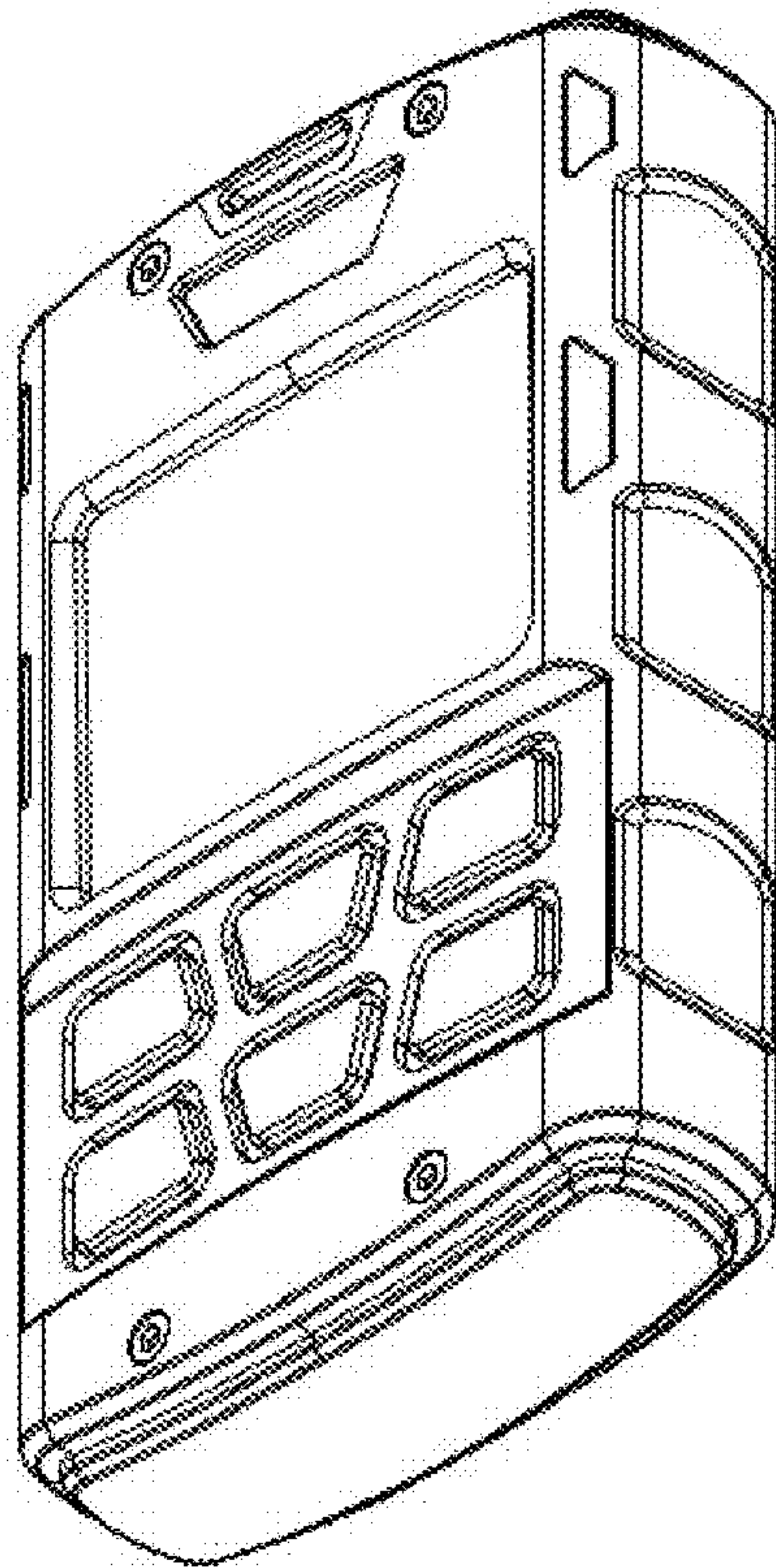


FIGURE 7

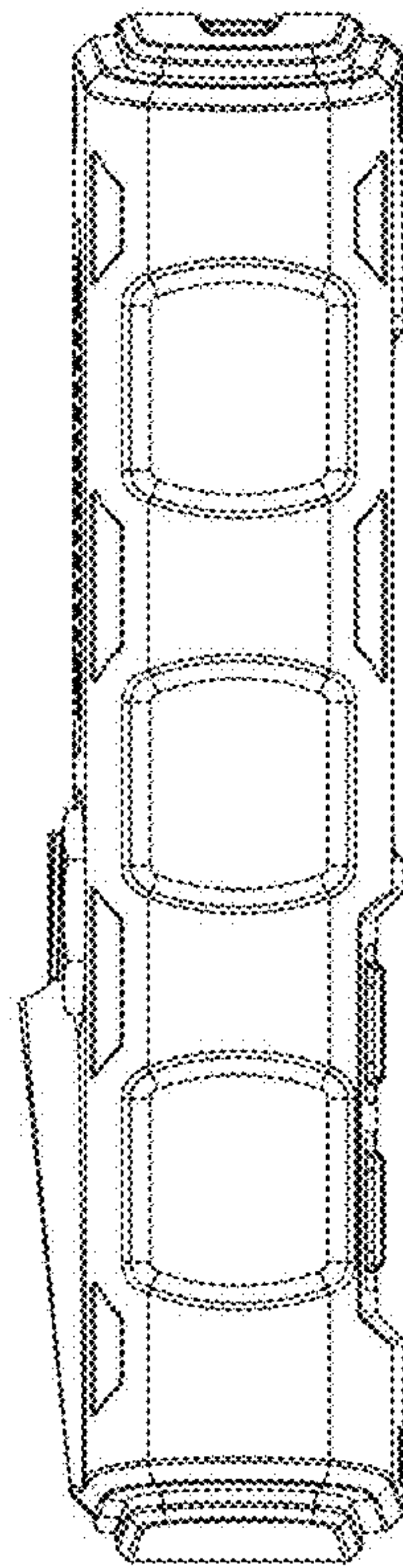


FIGURE 8