



US00D859163S

(12) **United States Design Patent** (10) **Patent No.:** **US D859,163 S**
Mecker et al. (45) **Date of Patent:** **** Sep. 10, 2019**

(54) **CONTAINER WITH COVER**

(71) Applicant: **S. C. JOHNSON & SON, INC.**,
Racine, WI (US)
(72) Inventors: **Alex Mecker**, Chicago, IL (US);
Gregory Pieper, Spring Grove, IL
(US); **Nick Rees**, New York, NY (US)
(73) Assignee: **S. C. JOHNSON & SON, INC.**,
Racine, WI (US)
(**) Term: **15 Years**

(21) Appl. No.: **29/623,203**
(22) Filed: **Oct. 23, 2017**
(51) **LOC (12) Cl.** **09-01**
(52) **U.S. Cl.**
USPC **D9/574; D9/563**
(58) **Field of Classification Search**
USPC D7/300-322, 391-396.2, 509-511, 523,
D7/589, 598, 612, 615, 619.1; D9/435,
D9/436, 439, 440, 443, 447, 454, 500,
D9/503-505, 516-575, 763-783;
215/40-55, 316-354, 370-385;
220/574-575; D4/116; D6/515-519,
D6/542-545; D28/7, 57, 73, 76-91.1
CPC B65D 1/00; B65D 1/02; B65D 1/0223;
B65D 1/023; B65D 1/0276
See application file for complete search history.

(56) **References Cited**

U.S. PATENT DOCUMENTS

4,621,768 A 11/1986 Lhoste et al.
4,731,520 A 3/1988 Glucksman et al.
D386,974 S * 12/1997 Wefler D9/544
(Continued)

FOREIGN PATENT DOCUMENTS

EM 000007471-0001 4/2003
EM 000076955-0012 9/2003
(Continued)

OTHER PUBLICATIONS

“Heart Shaped Glass Craft Bottle.” theworks.co.uk. Reviewed Jul. 22, 2017. Accessed Nov. 25, 2018. Available online at URL: <<https://www.theworks.co.uk/p/weddings/heart-shaped-glass-craft-bottle/5052089205826>> (Year: 2017).*

(Continued)

Primary Examiner — Cathron C Brooks
Assistant Examiner — Christian P. McLean
(74) *Attorney, Agent, or Firm* — Quarles & Brady LLP

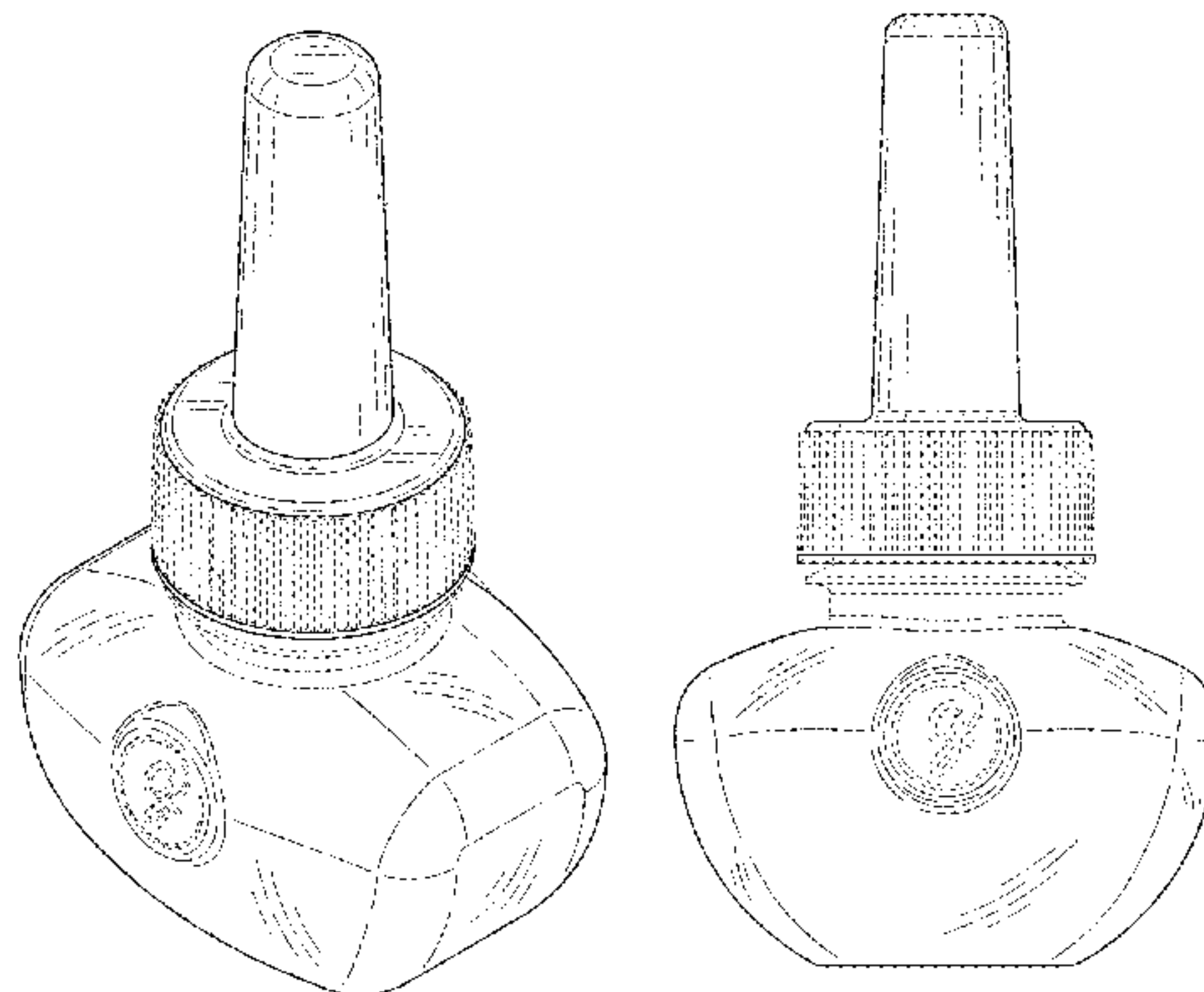
(57) **CLAIM**

The ornamental design for a container with cover, as shown and described.

DESCRIPTION

FIG. 1 is an isometric view of a top, front, and right side of an ornamental design for a container with cover;
FIG. 2 is a front elevational view of the container with cover of FIG. 1;
FIG. 3 is a rear elevational view of the container with cover of FIG. 1;
FIG. 4 is a right side elevational view of the container with cover of FIG. 1;
FIG. 5 is a left side elevational view of the container with cover of FIG. 1;
FIG. 6 is a top plan view of the container with cover of FIG. 1; and,
FIG. 7 is an isometric view of a top, front, and right side of another embodiment of a container with cover, showing the same design as FIGS. 1-6 but without the oblique surface shading.
The dash-dot-dash broken lines illustrate the boundary of the design and form no part of the claim. The remaining broken lines illustrate portions of the container with cover that form no part of the claimed design.

1 Claim, 5 Drawing Sheets



(56)

References Cited

U.S. PATENT DOCUMENTS

6,104,867 A	8/2000	Stathakis et al.	
D430,658 S	9/2000	Farce	
D432,222 S	10/2000	Rymer et al.	
D437,744 S	2/2001	Young et al.	
6,236,807 B1	5/2001	Ruffolo et al.	
6,278,840 B1	8/2001	Basaganas Millan	
6,446,583 B2	9/2002	Vieira	
D464,416 S	10/2002	von Dohlen et al.	
6,466,739 B2	10/2002	Ambrosi et al.	
6,487,367 B2	11/2002	Vieira	
D468,626 S *	1/2003	Jodal	D9/516
6,563,091 B2	5/2003	Vieira	
D476,069 S	6/2003	OLoughlin	
6,603,924 B2	8/2003	Brown et al.	
D480,316 S *	10/2003	Wolpert	D9/516
6,661,967 B2	12/2003	Levine et al.	
D491,256 S	6/2004	Fellows et al.	
D492,597 S	7/2004	Norris et al.	
D501,546 S	2/2005	Cruver, IV et al.	
D501,921 S	2/2005	Caserta et al.	
D504,317 S *	4/2005	Mansau	D9/520
6,889,003 B2	5/2005	Triplett et al.	
D507,487 S	7/2005	Marroncles	
D507,636 S	7/2005	Baraky et al.	
6,917,754 B2	7/2005	Pedrotti et al.	
6,931,202 B2	8/2005	Pedrotti et al.	
6,950,607 B2	9/2005	Yip et al.	
D511,967 S	11/2005	Bodet	
D512,136 S	11/2005	Wefler	
D512,938 S	12/2005	Morris et al.	
6,988,496 B1	1/2006	Eicher et al.	
D515,921 S	2/2006	Marroncles	
7,002,114 B2	2/2006	He et al.	
7,014,818 B2	3/2006	Rymer	
7,032,831 B2 *	4/2006	Duston	A61L 9/122 220/694
D523,129 S	6/2006	Caserta et al.	
D530,216 S *	10/2006	Modjeski	D9/566
D532,302 S	11/2006	Moretti	
7,140,553 B2	11/2006	Zobebe	
D536,969 S	2/2007	Geier	
D538,915 S	3/2007	Anderson et al.	
D539,892 S	4/2007	Caserta et al.	
D541,160 S *	4/2007	Cortes	D9/520
D543,326 S	5/2007	Dretzka	
D544,085 S	6/2007	Schriner et al.	
D544,087 S	6/2007	Baraky et al.	
D544,592 S	6/2007	Caserta et al.	
D544,593 S	6/2007	Yamamoto	
D545,626 S	7/2007	Frank	
7,244,398 B2	7/2007	Kotary et al.	
D548,317 S	8/2007	Newton et al.	
D548,318 S	8/2007	Copeman	
D548,587 S	8/2007	DuVal et al.	
D549,596 S	8/2007	Ioannides et al.	
D551,076 S	9/2007	Bloc	
7,311,883 B2	12/2007	Basaganas Millan	
D559,434 S	1/2008	Morris et al.	
D560,018 S	1/2008	Morris et al.	
D561,021 S	2/2008	DuVal et al.	
D564,876 S	3/2008	Nickel et al.	
7,341,698 B2	3/2008	Pedrotti et al.	
D567,920 S	4/2008	Cantoni et al.	
D567,921 S	4/2008	Bellofatto et al.	
D568,978 S	5/2008	Kennedy et al.	
D569,247 S	5/2008	Decottignies	
7,382,975 B2	6/2008	Caserta et al.	
D574,072 S	7/2008	Carlson et al.	
D574,199 S	8/2008	Griffith et al.	
D575,153 S	8/2008	Caroen et al.	
D576,874 S	9/2008	Miller et al.	
D579,340 S *	10/2008	Dickman	D9/558
D580,272 S *	11/2008	Weggelaar	D9/542
D580,274 S	11/2008	Abel	
D580,776 S	11/2008	Claughton et al.	
7,455,245 B2	11/2008	Sipinski et al.	
D582,278 S	12/2008	Bourne	
D582,537 S	12/2008	Kay et al.	
D583,038 S	12/2008	Kay et al.	
D583,457 S	12/2008	Kay et al.	
D584,809 S	1/2009	Porchia et al.	
7,484,675 B2	2/2009	Brown	
D587,576 S	3/2009	Miller et al.	
D596,939 S	7/2009	Moretti	
D597,192 S	7/2009	Drucker et al.	
D599,665 S	9/2009	Campbell	
D603,708 S	11/2009	Handy	
D604,619 S *	11/2009	Tebe Poves	D9/522
D604,629 S *	11/2009	Aebi	D9/454
D605,746 S	12/2009	Butler et al.	
D605,747 S	12/2009	Butler et al.	
7,628,338 B2	12/2009	Belongia et al.	
7,631,814 B2	12/2009	Zarembinski	
D607,315 S	1/2010	George et al.	
D608,198 S	1/2010	Lohrman et al.	
D608,640 S	1/2010	Carreno	
D610,249 S	2/2010	Robinson	
D611,348 S	3/2010	Handy	
D613,844 S	4/2010	Jorgensen	
D614,755 S	4/2010	Brewster	
7,780,094 B2	8/2010	Caserta et al.	
D623,284 S	9/2010	Myojin et al.	
D624,170 S	9/2010	Myojin et al.	
D624,352 S	9/2010	Lion et al.	
7,802,568 B2	9/2010	Eicher et al.	
D624,783 S	10/2010	Lion et al.	
D632,377 S	2/2011	Blachford et al.	
D632,771 S	2/2011	Abbondanzio et al.	
D632,772 S	2/2011	Abbondanzio et al.	
D633,190 S	2/2011	Abbondanzio et al.	
D633,229 S	2/2011	McWillis	
D634,416 S	3/2011	Abbondanzio et al.	
D634,832 S	3/2011	Abbondanzio et al.	
D636,476 S	4/2011	Abbondanzio et al.	
D636,860 S	4/2011	Abbondanzio et al.	
D637,274 S	5/2011	Chan et al.	
D639,923 S	6/2011	Belongia et al.	
D643,102 S	8/2011	Abbondanzio et al.	
D644,313 S	8/2011	Westphal	
D644,926 S	9/2011	Davis et al.	
D645,947 S	9/2011	Sevy	
D646,573 S *	10/2011	Kubicek	D9/522
D646,768 S	10/2011	Chan et al.	
D647,187 S	10/2011	Chan et al.	
D647,608 S	10/2011	Young et al.	
D651,088 S *	12/2011	Buschmann	D9/522
D654,761 S	2/2012	Herbst	
8,141,793 B2	3/2012	Wallis et al.	
D656,830 S *	4/2012	Rodriguez	D9/520
D657,448 S	4/2012	Herfort	
D657,860 S	4/2012	Sordo et al.	
D658,072 S	4/2012	Davis et al.	
D658,315 S	4/2012	Walters	
D658,915 S	5/2012	Fernandes et al.	
D659,267 S	5/2012	Slatkin et al.	
D659,817 S	5/2012	Mandell et al.	
D659,818 S	5/2012	Belongia et al.	
D660,996 S	5/2012	Rein	
D662,237 S	6/2012	Baraky et al.	
D663,018 S	7/2012	Sordo et al.	
8,251,299 B1	8/2012	Irvin	
D666,706 S	9/2012	Sevy	
D667,574 S	9/2012	Abbondanzio et al.	
D672,481 S	12/2012	Arslanian	
D672,861 S	12/2012	Adair et al.	
D675,308 S	1/2013	Freeborn et al.	
D675,309 S	1/2013	Freeborn et al.	
8,348,101 B2	1/2013	Ciavarella et al.	
D679,793 S	4/2013	Feiz et al.	
D680,377 S	4/2013	Romley	
D680,637 S	4/2013	Blachford et al.	
D681,182 S	4/2013	Tomas Vilarasa et al.	

(56)

References Cited

U.S. PATENT DOCUMENTS

D681,183 S 4/2013 Blachford et al.
 D682,448 S 5/2013 Nugent
 RE44,312 E 6/2013 Vieira
 D686,718 S 7/2013 Gordon et al.
 D686,721 S 7/2013 Wirz
 8,485,454 B1 7/2013 Irvin et al.
 D689,364 S 9/2013 Sanders
 D689,664 S 9/2013 Dietvorst et al.
 D689,998 S 9/2013 Carbone et al.
 D691,255 S 10/2013 Abbondanzio et al.
 D692,116 S 10/2013 Gordon
 D699,075 S 2/2014 Mariotti
 D700,694 S 3/2014 Sordo et al.
 D701,120 S 3/2014 Sanders
 8,703,067 B2 4/2014 Woolley
 D707,373 S 6/2014 Nugent
 D707,805 S 6/2014 Brewer et al.
 8,746,587 B2 6/2014 Soldan et al.
 D709,761 S 7/2014 Sanders
 D710,743 S 8/2014 Bartter
 D712,739 S 9/2014 Lapsker
 D713,517 S 9/2014 Dodge et al.
 D716,148 S * 10/2014 DeMarco D9/542
 D716,432 S 10/2014 Viala et al.
 8,870,030 B2 10/2014 Demarest et al.
 D717,123 S 11/2014 Epstein
 D721,275 S 1/2015 Thijssen et al.
 D721,278 S 1/2015 Eble
 D723,376 S * 3/2015 Adair D9/539
 D724,192 S 3/2015 Mecker
 D724,945 S 3/2015 Davis et al.
 8,985,398 B2 3/2015 Demarest et al.
 8,985,405 B2 3/2015 Wanbaugh
 D729,924 S 5/2015 Hsiao
 D732,654 S 6/2015 Hsiao
 D733,382 S 6/2015 Bos et al.
 9,061,821 B2 6/2015 Helf et al.
 D736,095 S 8/2015 Brochado et al.
 D740,163 S 10/2015 Pettigrew et al.
 D741,987 S 10/2015 Gamble et al.
 D742,561 S 11/2015 Kasha
 9,199,783 B2 12/2015 Wanbaugh et al.
 D747,212 S * 1/2016 Staab D9/559
 D750,491 S 3/2016 Campbell et al.
 D750,492 S 3/2016 Campbell et al.
 D752,378 S 3/2016 Wang
 D757,560 S * 5/2016 Venturini Fendi D9/435
 9,370,594 B2 6/2016 Gasper et al.
 D764,043 S 8/2016 Sanders et al.
 D764,650 S 8/2016 Sanders et al.
 D765,440 S 9/2016 Clough et al.
 D766,084 S 9/2016 Jiang
 D767,810 S 9/2016 Li
 D768,834 S 10/2016 Schuller et al.
 D770,852 S 11/2016 Vu et al.
 D776,247 S 1/2017 King et al.
 D776,800 S 1/2017 King et al.
 D781,488 S 3/2017 Patton
 D782,309 S 3/2017 Jiang
 D786,689 S * 5/2017 Dalton D9/573
 D787,947 S * 5/2017 Li D9/686
 D787,948 S 5/2017 Scott et al.
 D790,352 S * 6/2017 Staab D9/574
 9,669,126 B2 6/2017 Jaworski et al.
 D797,916 S 9/2017 Gobber et al.
 2004/0067172 A1 4/2004 Ehrlich et al.
 2006/0202050 A1 9/2006 Caserta et al.
 2015/0135503 A1 5/2015 Belongia
 2016/0151528 A1 6/2016 Duffield
 2016/0205727 A1 7/2016 Meinhart et al.
 2016/0256586 A1 9/2016 Eastcott et al.
 2017/0065992 A1 3/2017 Clough et al.
 2017/0143042 A1 5/2017 Batista et al.
 2017/0150755 A1 6/2017 Batista

2017/0159171 A1 6/2017 Tung et al.
 2019/0091364 A1* 3/2019 Pieper A61L 9/127
 2019/0091365 A1* 3/2019 Pieper A61L 9/127

FOREIGN PATENT DOCUMENTS

EM 000418538-0002 10/2005
 EM 000487251-0003 2/2006
 EM 000551643-0001 6/2006
 EM 000551643-0002 6/2006
 EM 000551643-0003 6/2006
 EM 000551643-0004 6/2006
 EM 000551643-0005 6/2006
 EM 000551643-0006 6/2006
 EM 000688023-0009 3/2007
 EM 000755061-0001 7/2007
 EM 000873757-0001 2/2008
 EM 000983069-0003 8/2008
 EM 000983069-0004 8/2008
 EM 001171656-0003 10/2009
 EM 001239875-0006 10/2010
 EM 001239875-0007 10/2010
 EM 001239990-0001 10/2010
 EM 001239990-0002 10/2010
 EM 001239990-0003 10/2010
 EM 001239990-0004 10/2010
 EM 001239990-0005 10/2010
 EM 001239990-0007 10/2010
 EM 001239990-0008 10/2010
 EM 001239990-0009 10/2010
 EM 001239990-0012 10/2010
 EM 001239990-0013 10/2010
 EM 001251490-0001 12/2010
 EM 001251490-0002 12/2010
 EM 001251490-0003 12/2010
 EM 001251490-0004 12/2010
 EM 001797150-0001 12/2010
 EM 001797150-0002 12/2010
 EM 001271894-0001 4/2011
 EM 001917774-0001 9/2011
 EM 001948365-0001 11/2011
 EM 001977398-0002 1/2012
 EM 001977398-0003 1/2012
 EM 001977398-0005 1/2012
 EM 001977398-0006 1/2012
 EM 002021089-0001 4/2012
 EM 001342927-0001 8/2012
 EM 001342927-0002 8/2012
 EM 001342927-0003 8/2012
 EM 001342927-0004 8/2012
 EM 001343164-0004 9/2012
 EM 002162040-0001 1/2013
 EM 001361356-0001 2/2013
 EM 001361356-0002 2/2013
 EM 001361356-0003 2/2013
 EM 001361356-0004 2/2013
 EM 001381149-0001 8/2013
 EM 002330696-0001 10/2013
 EM 002330696-0002 10/2013
 EM 002354530-0001 11/2013
 EM 002354670-0001 11/2013
 EM 001421366-0002 9/2014
 EM 002604728-0001 12/2014
 EM 002604728-0002 12/2014
 EM 002840553-0016 10/2015
 EM 002971986-0001 2/2016
 EM 003422724-0001 10/2016
 EM 003850601-0022 4/2017
 EP 0736248 A1 10/1996
 EP 1270022 A1 1/2003
 WO DM/057247 7/2001
 WO 2005084721 A1 9/2005
 WO DM/075912 4/2011
 WO DM/079027 7/2012
 WO DM/079361 9/2012
 WO DM/082262 11/2013
 WO DM/086082 2/2015

(56)

References Cited

FOREIGN PATENT DOCUMENTS

WO	DM/091142	12/2015
WO	DM/089961	2/2016
WO	DM/094518	11/2016

OTHER PUBLICATIONS

“Heart Shaped Jar 220ml.” petpower.eu. Available Mar. 31, 2017. Accessed Nov. 25, 2018. Available online via Internet Archive Wayback Machine at URL: <<https://web.archive.org/web/20170331172616/https://www.petpower.eu/product/heart-shaped-jar-220ml/>> (Year: 2017).*

* cited by examiner

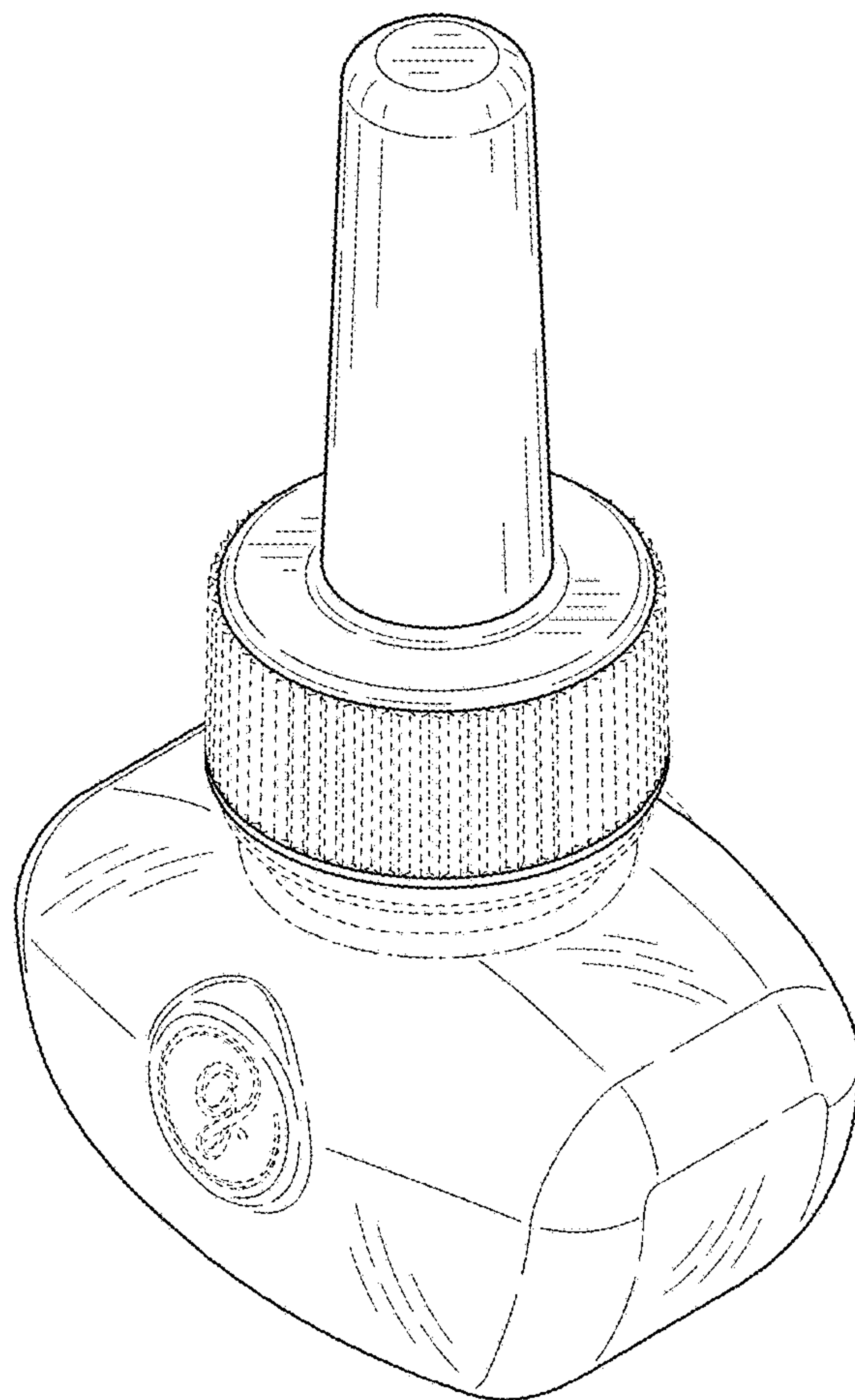


FIG. 1

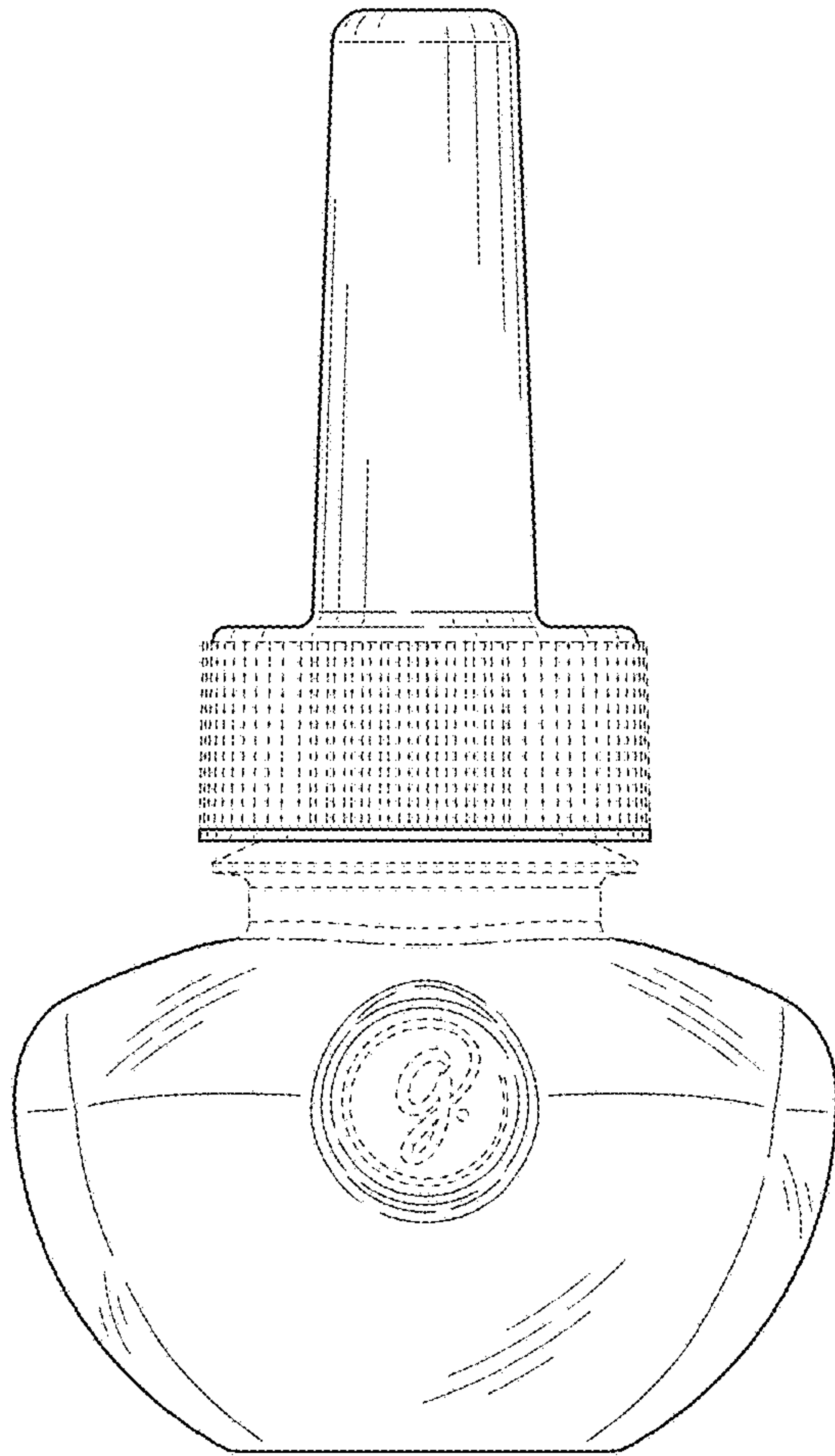


FIG. 2

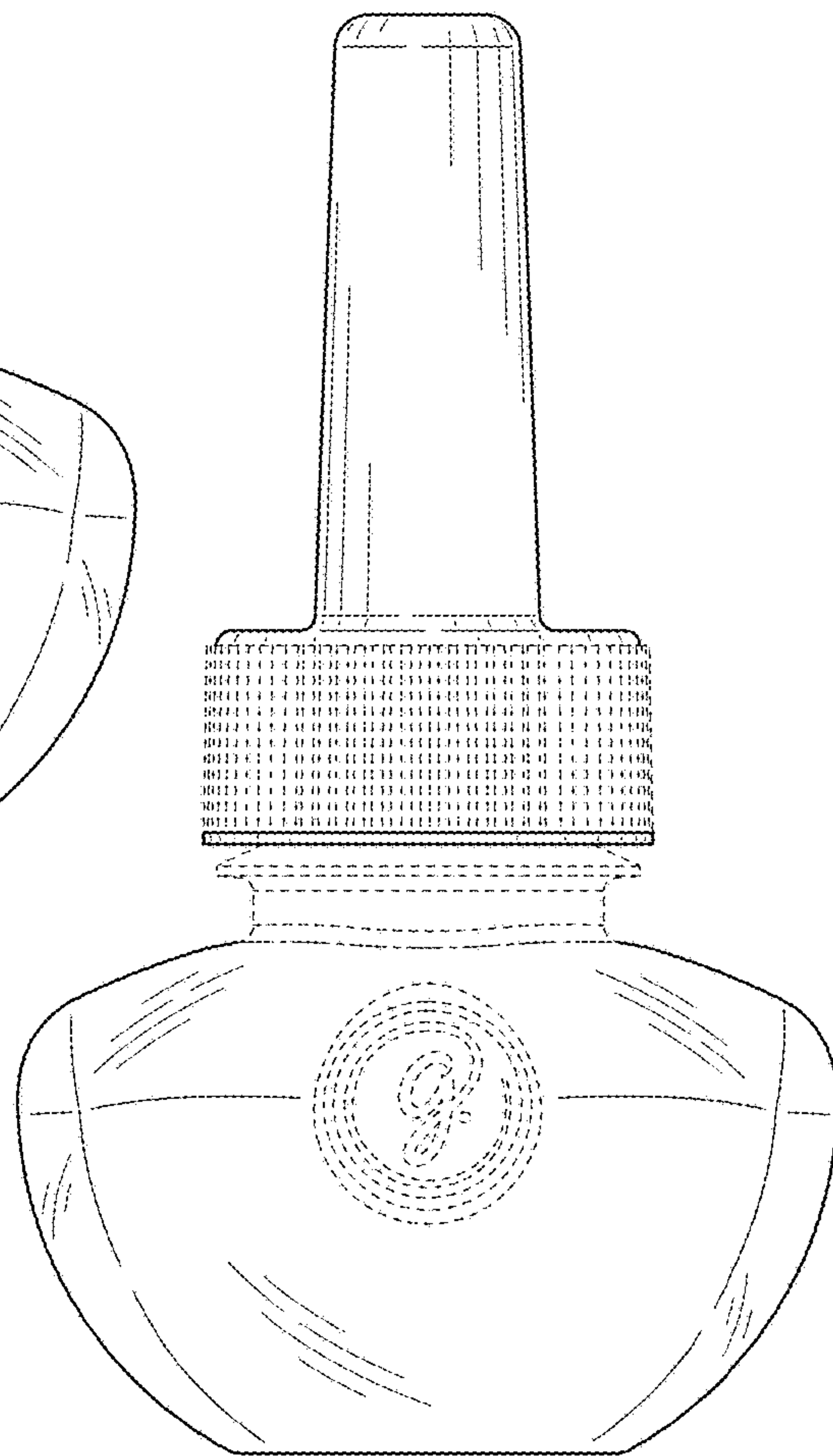


FIG. 3

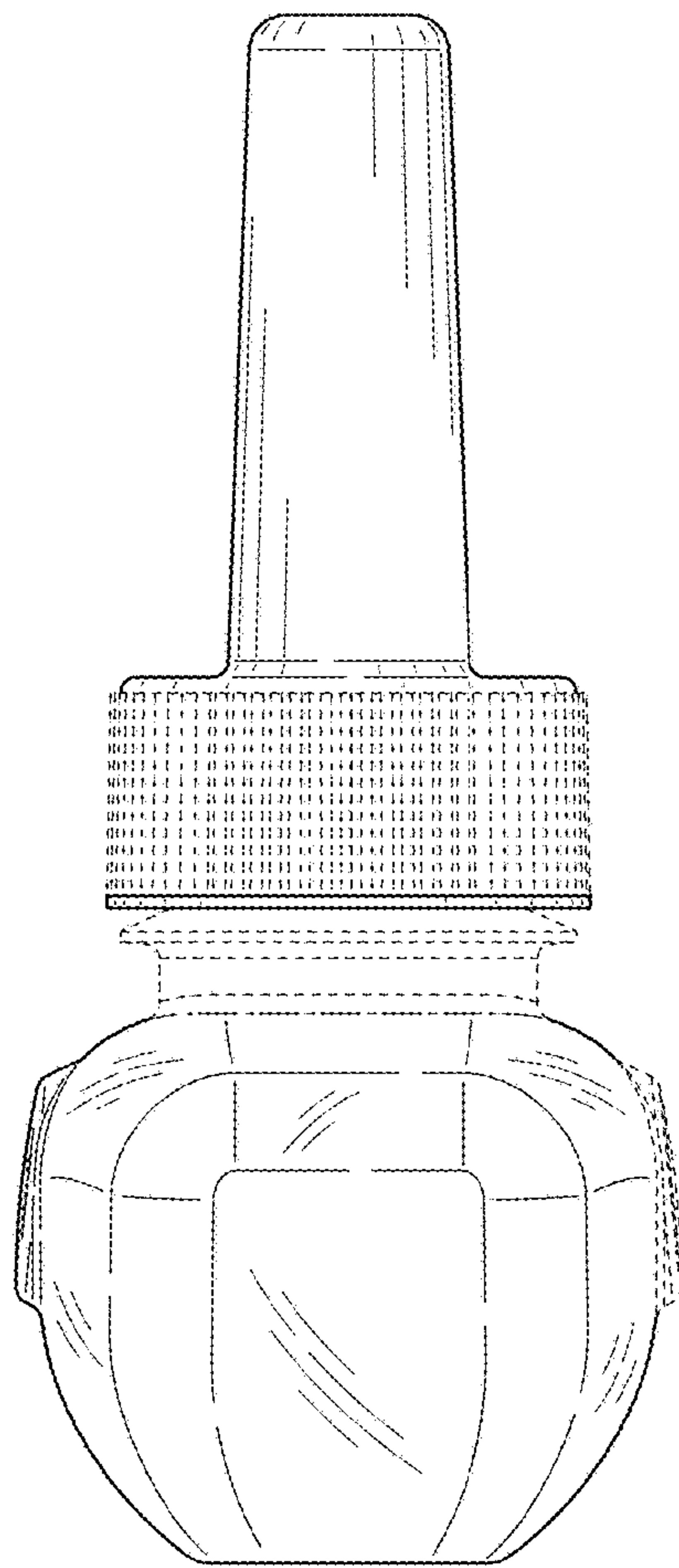


FIG. 4

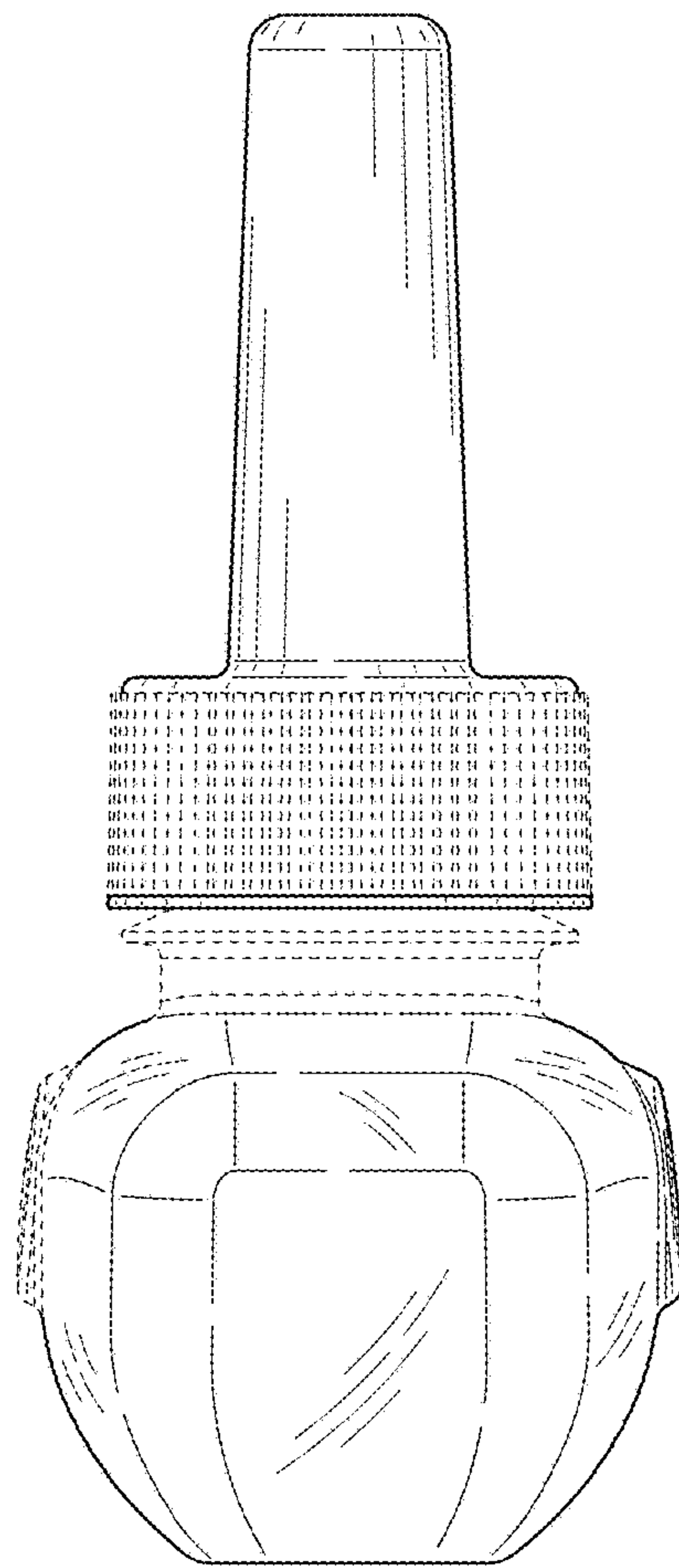


FIG. 5

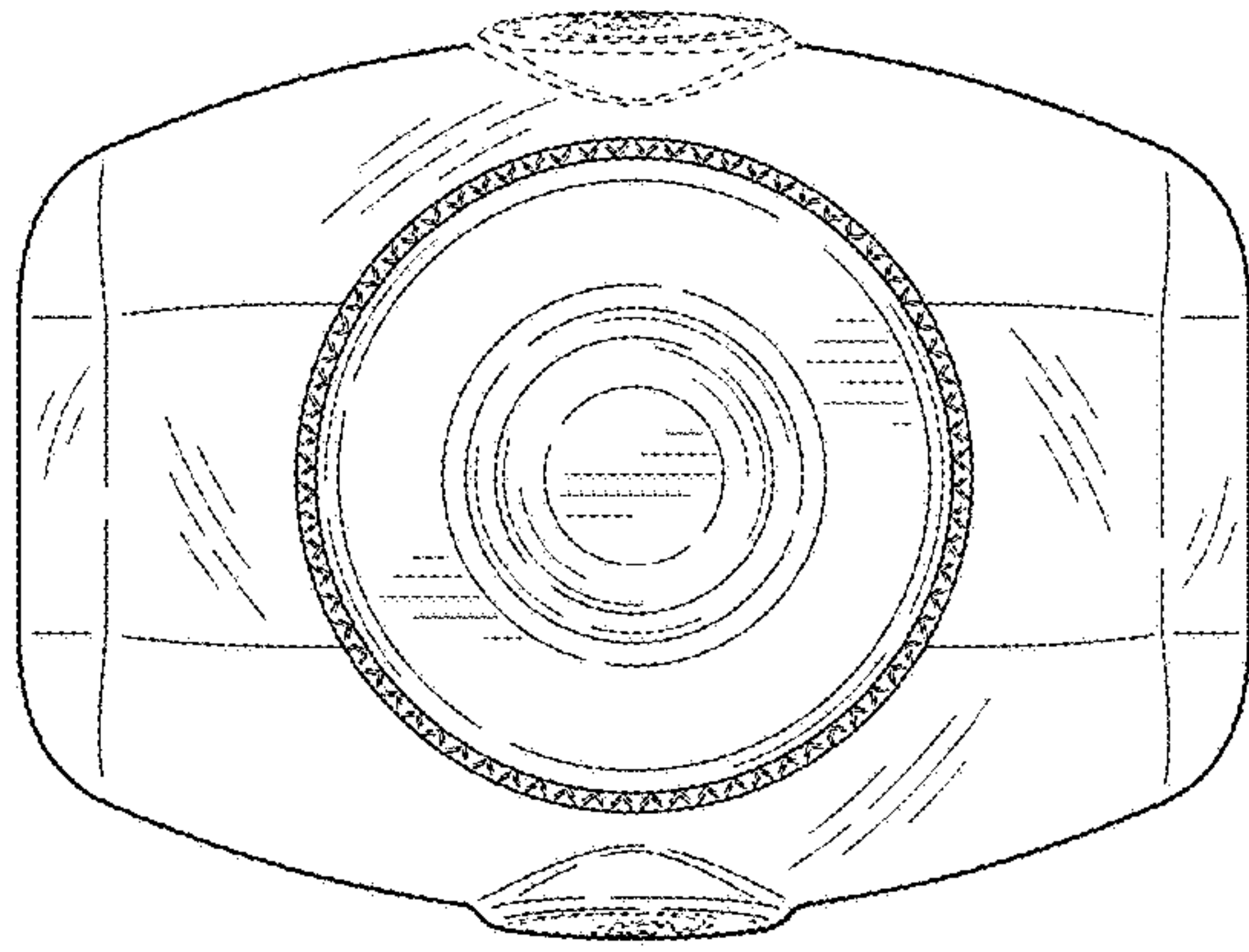


FIG. 6

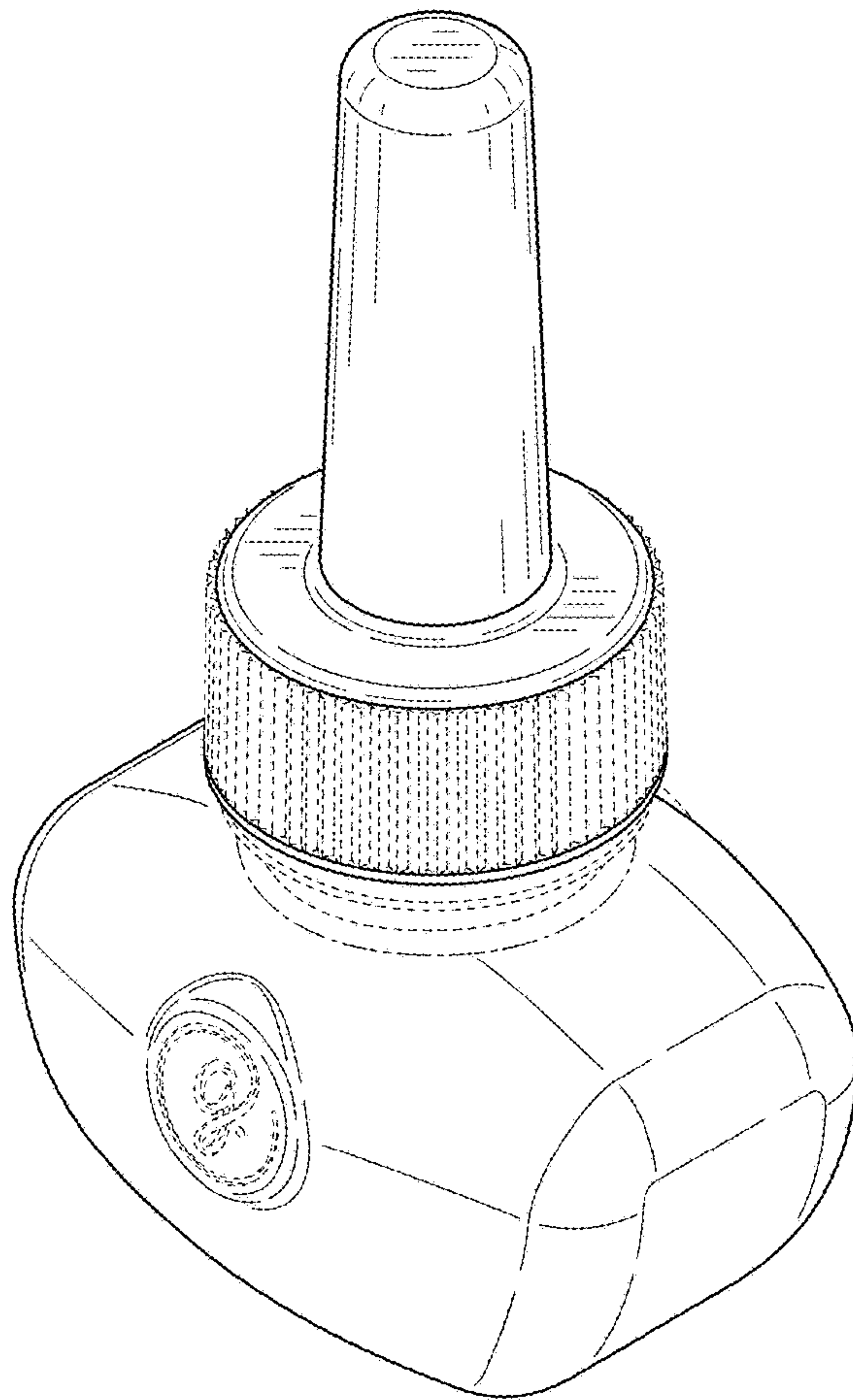


FIG. 7