



US00D859162S

(12) **United States Design Patent** (10) **Patent No.:** **US D859,162 S**  
**Patel** (45) **Date of Patent:** **\*\* Sep. 10, 2019**

(54) **CONTAINER**

(71) Applicant: **Ceves Technologies, LLC**, Marietta, GA (US)

(72) Inventor: **Nilang Patel**, Mableton, GA (US)

(73) Assignee: **CEVES TECHNOLOGIES, LLC**, Marietta, GA (US)

(\*\*) Term: **15 Years**

(21) Appl. No.: **29/631,187**

(22) Filed: **Dec. 28, 2017**

(51) **LOC (12) Cl.** ..... **09-01**

(52) **U.S. Cl.**  
USPC ..... **D9/559**; D9/575

(58) **Field of Classification Search**  
USPC ..... D9/453, 454, 516, 520, 521, 530, 544,  
D9/546, 559, 560, 563, 564, 572-575,  
D9/715, 719

CPC . B65D 21/0204; B65D 21/02; B65D 21/0213  
See application file for complete search history.

(56) **References Cited**

**U.S. PATENT DOCUMENTS**

D88,112 S *	10/1932	Scurlock .....	D7/612
D210,865 S *	4/1968	Skolnik .....	D9/716
D387,278 S *	12/1997	Olivares .....	D9/541
5,866,419 A *	2/1999	Meder .....	C12M 23/08 215/382
D478,819 S *	8/2003	Pfaeffli .....	D7/607
D489,271 S *	5/2004	Soomar .....	D9/561
D500,448 S *	1/2005	Krunas .....	D9/544
D567,101 S *	4/2008	Pierre .....	D9/520
D582,292 S *	12/2008	Short .....	D9/435
D594,345 S *	6/2009	Short .....	D9/561
D598,295 S *	8/2009	Miceli .....	D9/561
D627,657 S *	11/2010	Vogler .....	D9/520
D646,580 S *	10/2011	Dolhun .....	D9/561
D653,554 S *	2/2012	Kitazawa .....	D9/561

D695,620 S *	12/2013	Karekar .....	D9/529
D731,894 S *	6/2015	Meyer .....	D9/453
D740,680 S *	10/2015	Christian .....	D9/561
D774,914 S *	12/2016	Kuzma .....	D9/543
D803,694 S *	11/2017	Essler .....	D9/561
D819,191 S *	5/2018	Atabaki .....	D23/366

**FOREIGN PATENT DOCUMENTS**

JP	1349904 S	2/2009
JP	1350245 S	2/2009

\* cited by examiner

*Primary Examiner* — Ian Simmons

*Assistant Examiner* — Keith Frank

(74) *Attorney, Agent, or Firm* — BakerHostetler

(57) **CLAIM**

The ornamental design of a container, as shown and described.

**DESCRIPTION**

FIG. 1 is a first perspective view of a container in accordance with the present invention;

FIG. 2 is a front view thereof;

FIG. 3 is a back view thereof;

FIG. 4 is top view thereof;

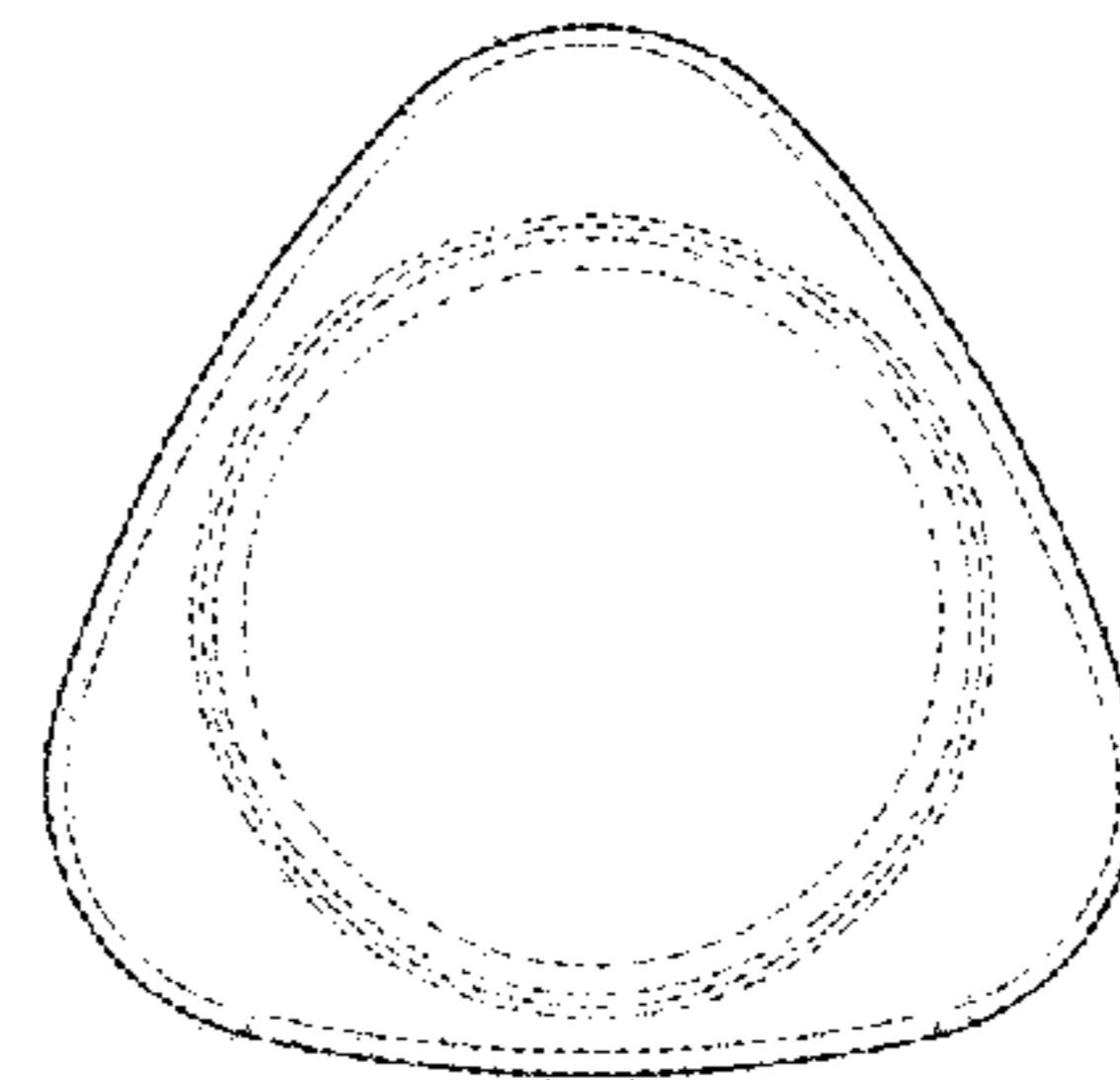
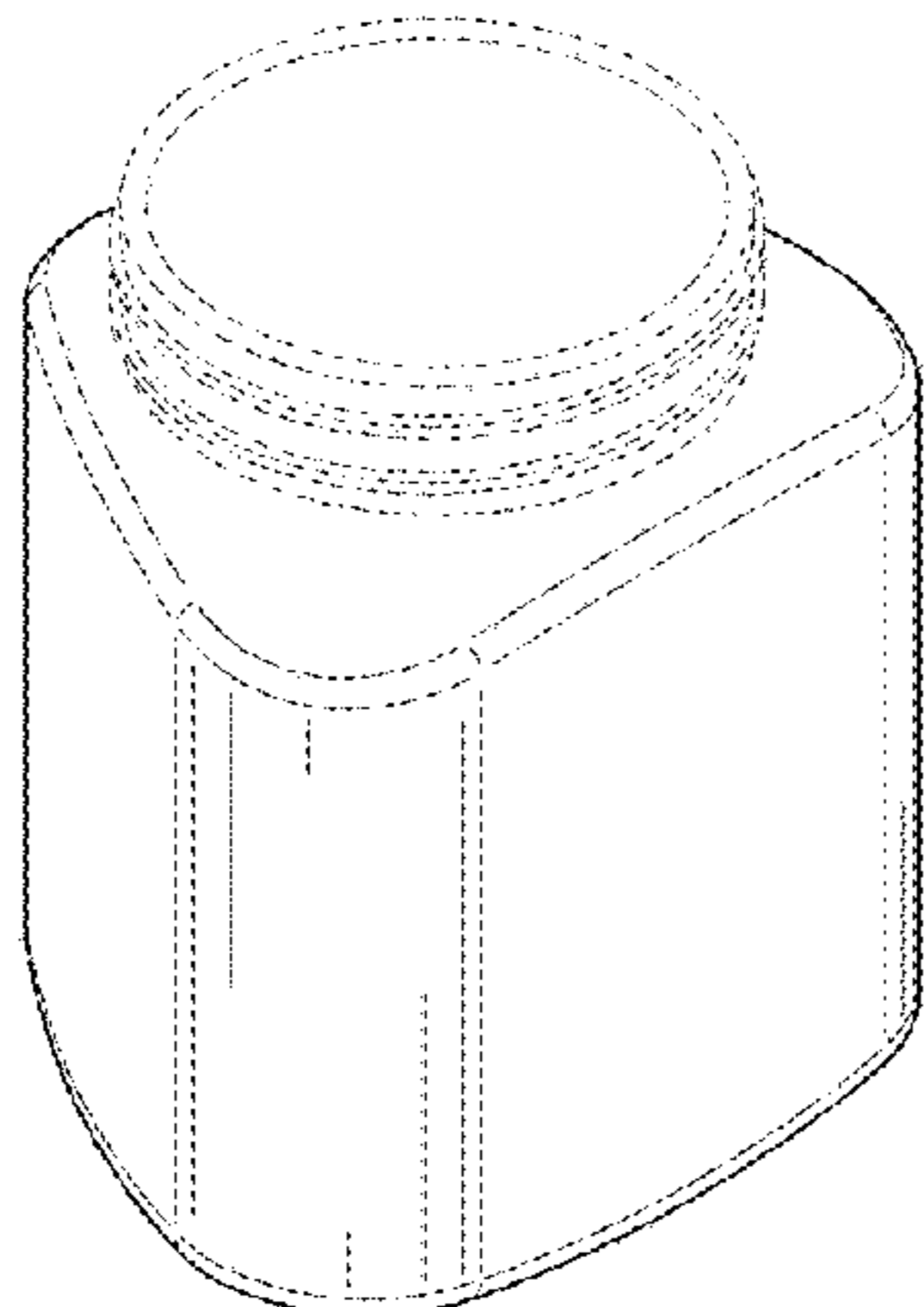
FIG. 5 is a bottom view thereof; and,

FIG. 6 is a right side view thereof, the left side view being a mirror image.

The broken lines showing the mouth of the container in FIGS. 1-4 and 6 and portions of the bottom of the container in FIG. 5 illustrate portions of the container that form no part of the claimed design.

More generally, the invention pertains to an ornamental design for an article of manufacture. The article is not limited to the scale shown herein. As indicated by the title, the article of manufacture to which ornamental design has been applied is a container, such as food packaging.

**1 Claim, 4 Drawing Sheets**



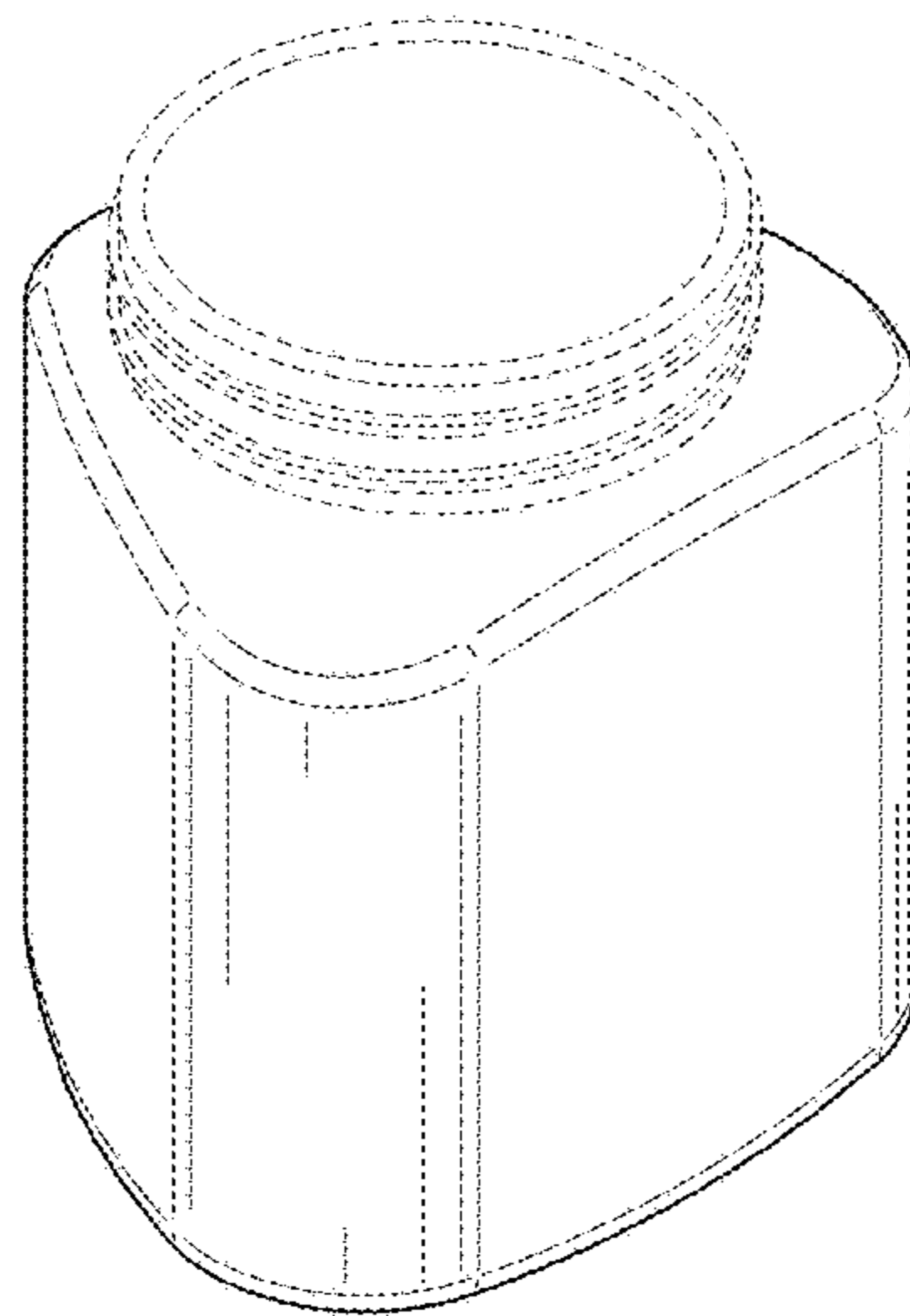


FIG. 1

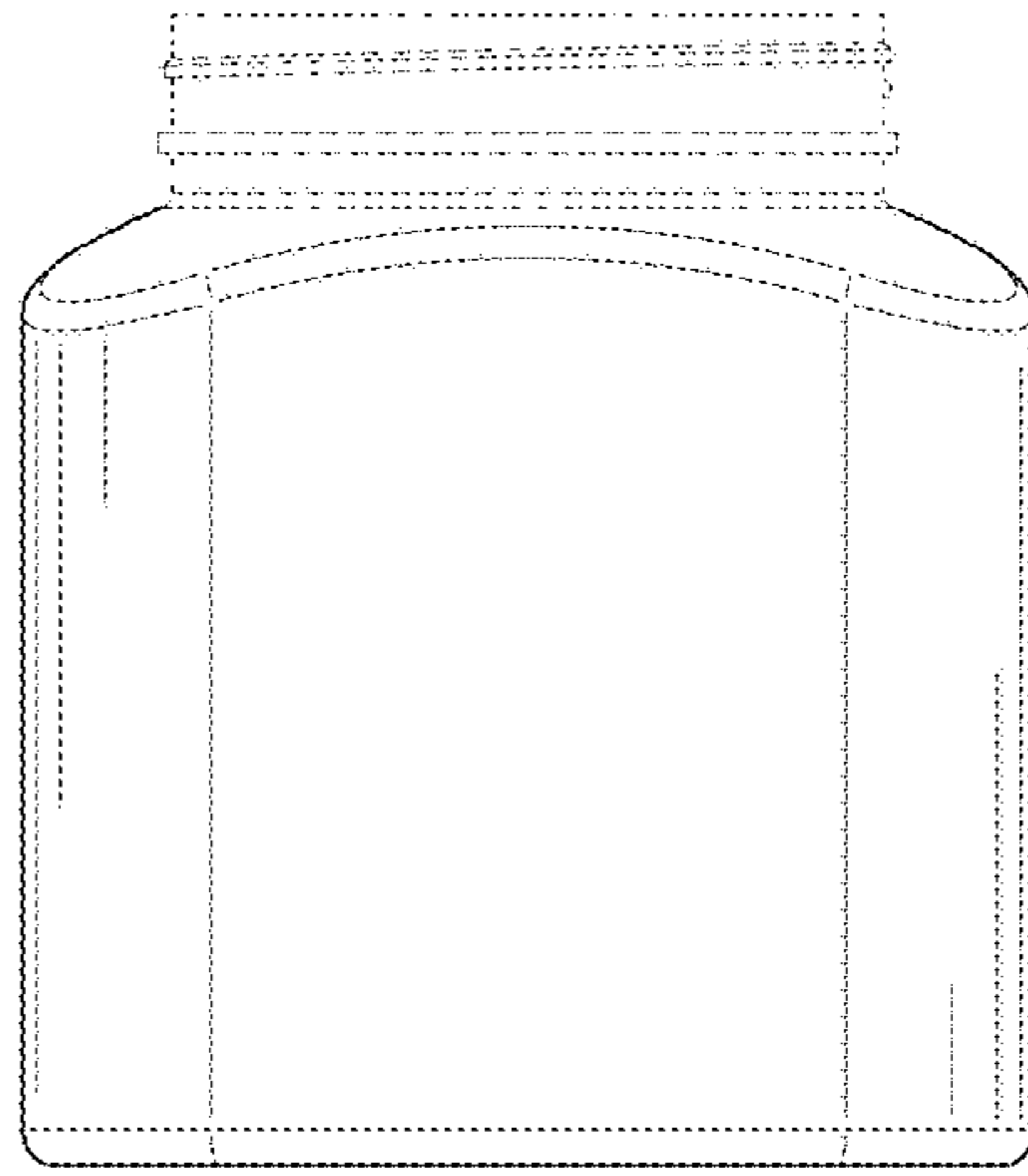


FIG. 2

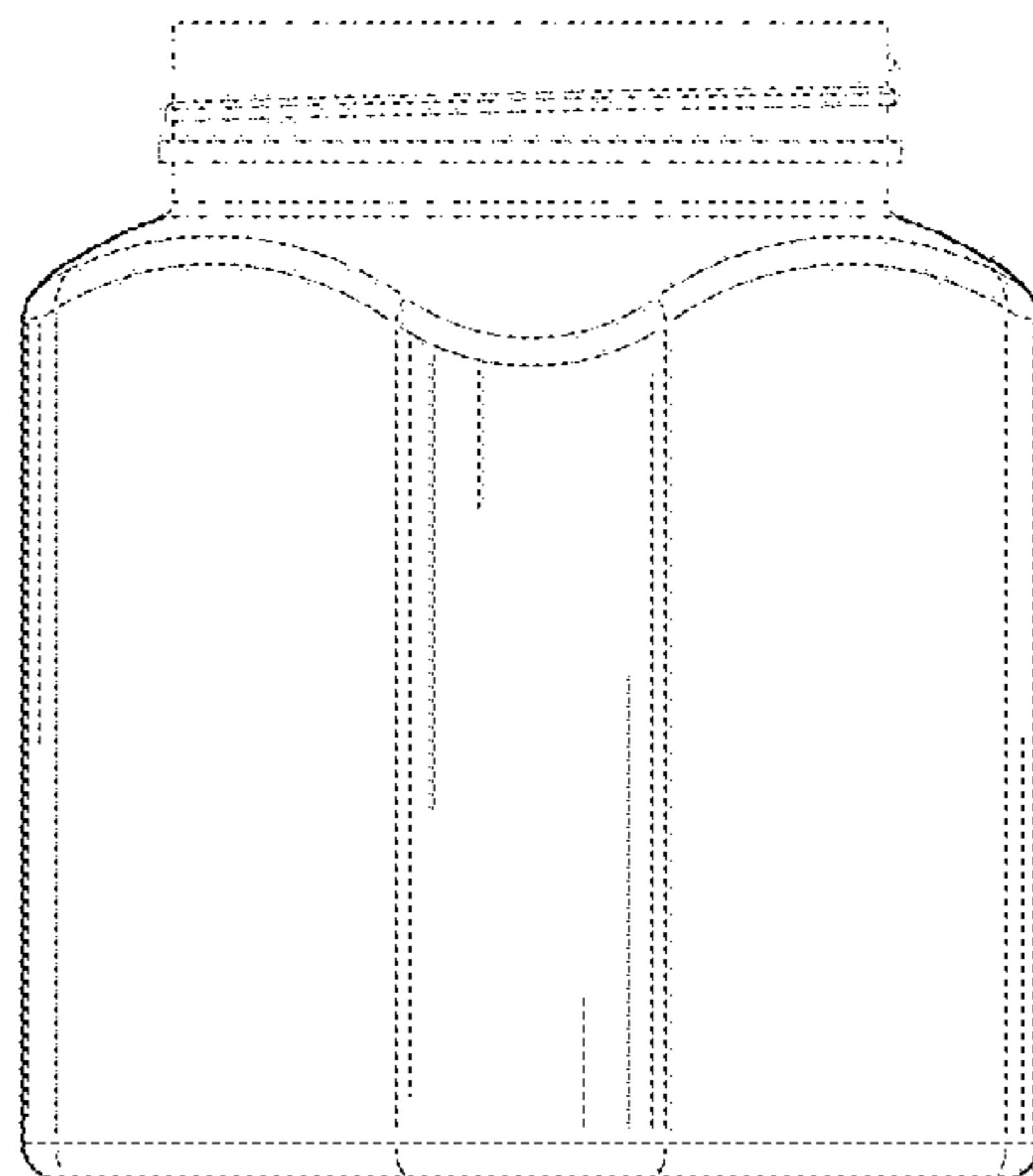


FIG. 3

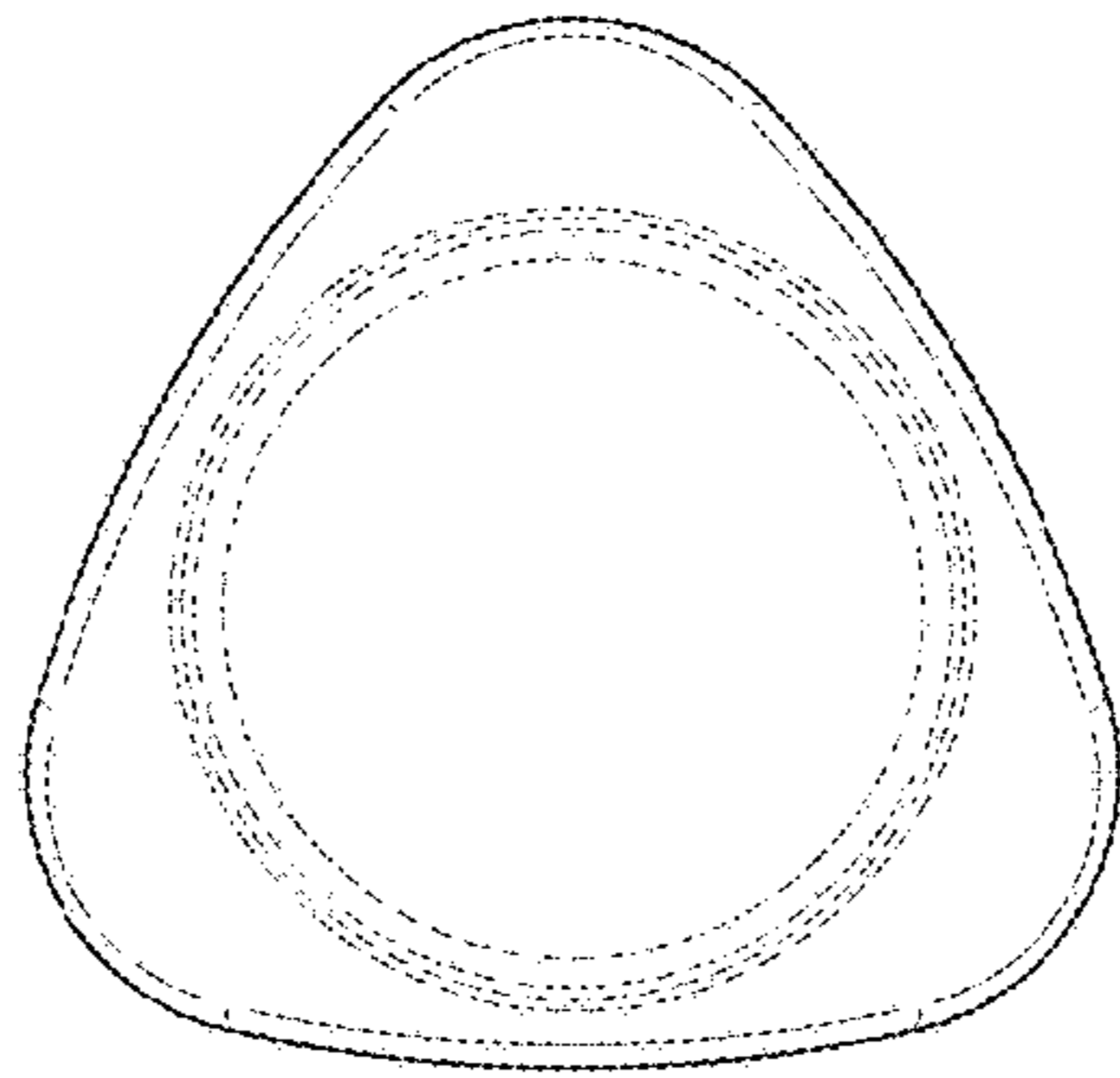


FIG. 4

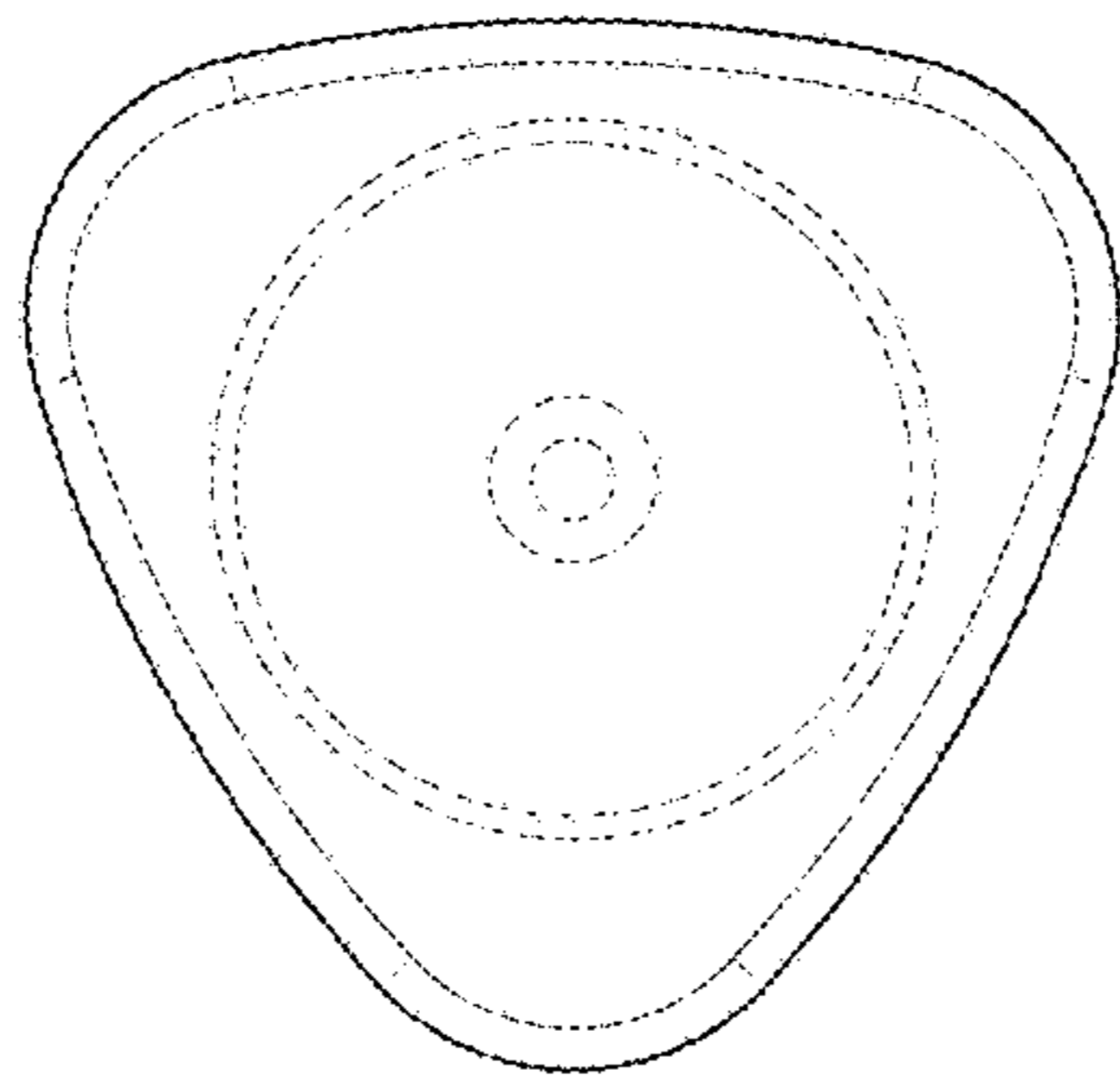


FIG. 5

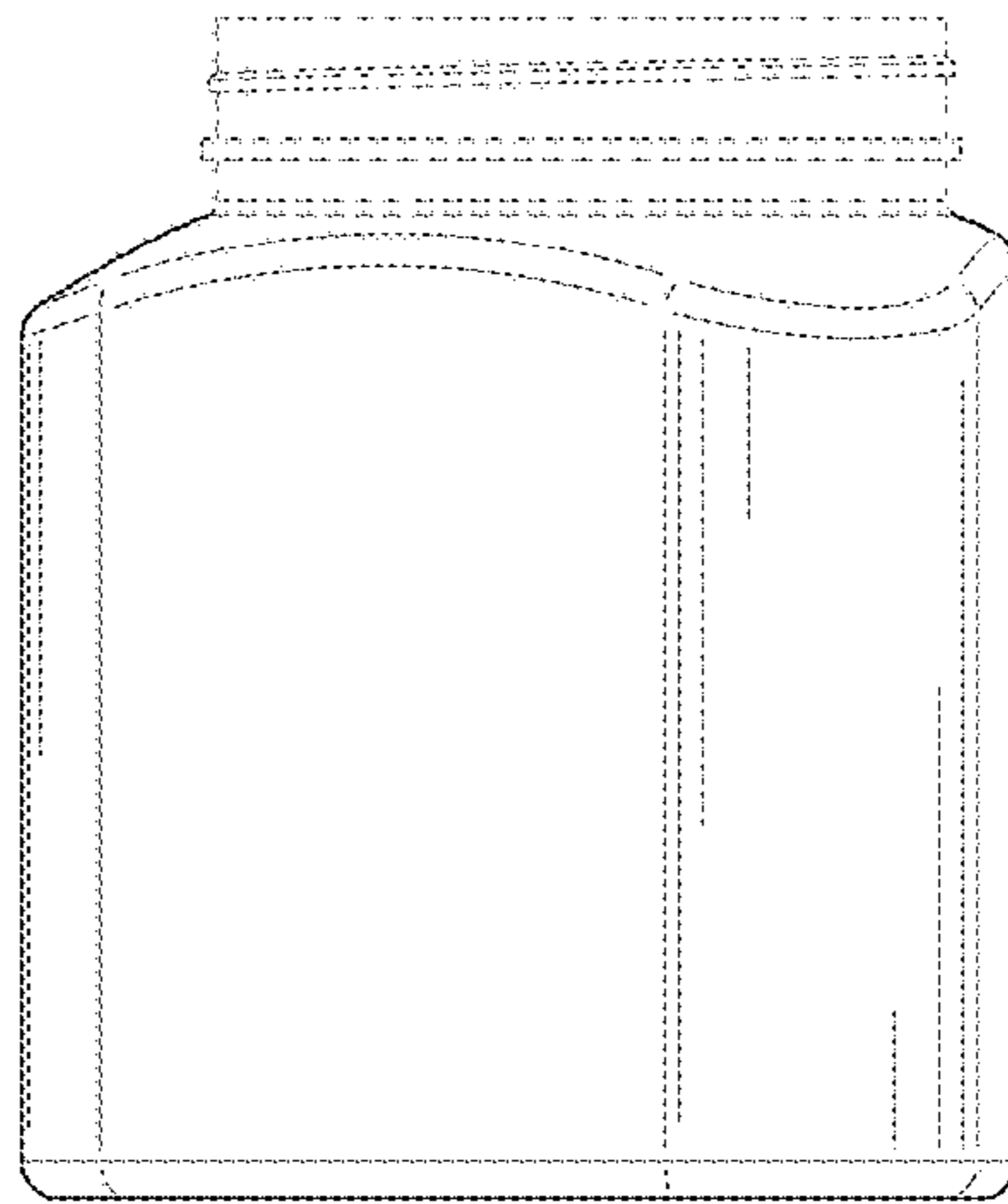


FIG. 6