



US00D859158S

(12) **United States Design Patent**
Bilodeau

(10) **Patent No.:** **US D859,158 S**

(45) **Date of Patent:** **** Sep. 10, 2019**

(54) **CONTAINER**

(71) Applicant: **JMS INTERNATIONAL
PACKAGING INC.**, Orford (CA)

(72) Inventor: **Luc Bilodeau**, Sherbrooke (CA)

(73) Assignees: **JMS International Packaging Inc.**,
Orford (CA); **Citadelle Cooperative De
Producteurs De Sirop D'Erable**,
Plessisville (CA)

(**) Term: **15 Years**

(21) Appl. No.: **29/676,864**

(22) Filed: **Jan. 15, 2019**

Related U.S. Application Data

(63) Continuation of application No. 29/603,827, filed on
May 12, 2017, now abandoned.

(51) **LOC (12) Cl.** **09-01**

(52) **U.S. Cl.**
USPC **D9/503**; D9/449; D9/550

(58) **Field of Classification Search**
USPC D9/434-435, 447, 449, 454, 500, 503,
D9/516, 530, 537, 539, 549-550, 558,
D9/715; D7/601-602, 612, 615, 629-630
CPC . B65D 1/00; B65D 1/10; B65D 17/00; B65D
17/02; B65D 43/18; B65D 51/246; B65D
51/247; B65D 81/00; B65D 2501/00;
B65D 2501/0009
See application file for complete search history.

(56) **References Cited**

U.S. PATENT DOCUMENTS

D188,134 S * 6/1960 Neubauer D9/502
D202,003 S 8/1965 Douglas
D205,686 S * 9/1966 Marchant D9/779
D246,029 S * 10/1977 Lynn D9/780

D252,798 S * 9/1979 Vosti D9/776
D284,269 S * 6/1986 Goettner D9/500
D345,503 S 3/1994 Murphy
D381,042 S 7/1997 Roche
D445,689 S * 7/2001 McCutchan D9/414
D501,793 S 2/2005 Carmichael et al.
D510,867 S 10/2005 Uzkan
D514,949 S * 2/2006 Dalton D9/556
D515,934 S * 2/2006 Dalton D9/556
D536,263 S 2/2007 Ioannides et al.
D536,264 S 2/2007 Ioannides et al.
D602,357 S 10/2009 Serrano Diaz

(Continued)

Primary Examiner — Dana Meyrow

(74) *Attorney, Agent, or Firm* — Harness, Dickey &
Pierce, PLC

(57) **CLAIM**

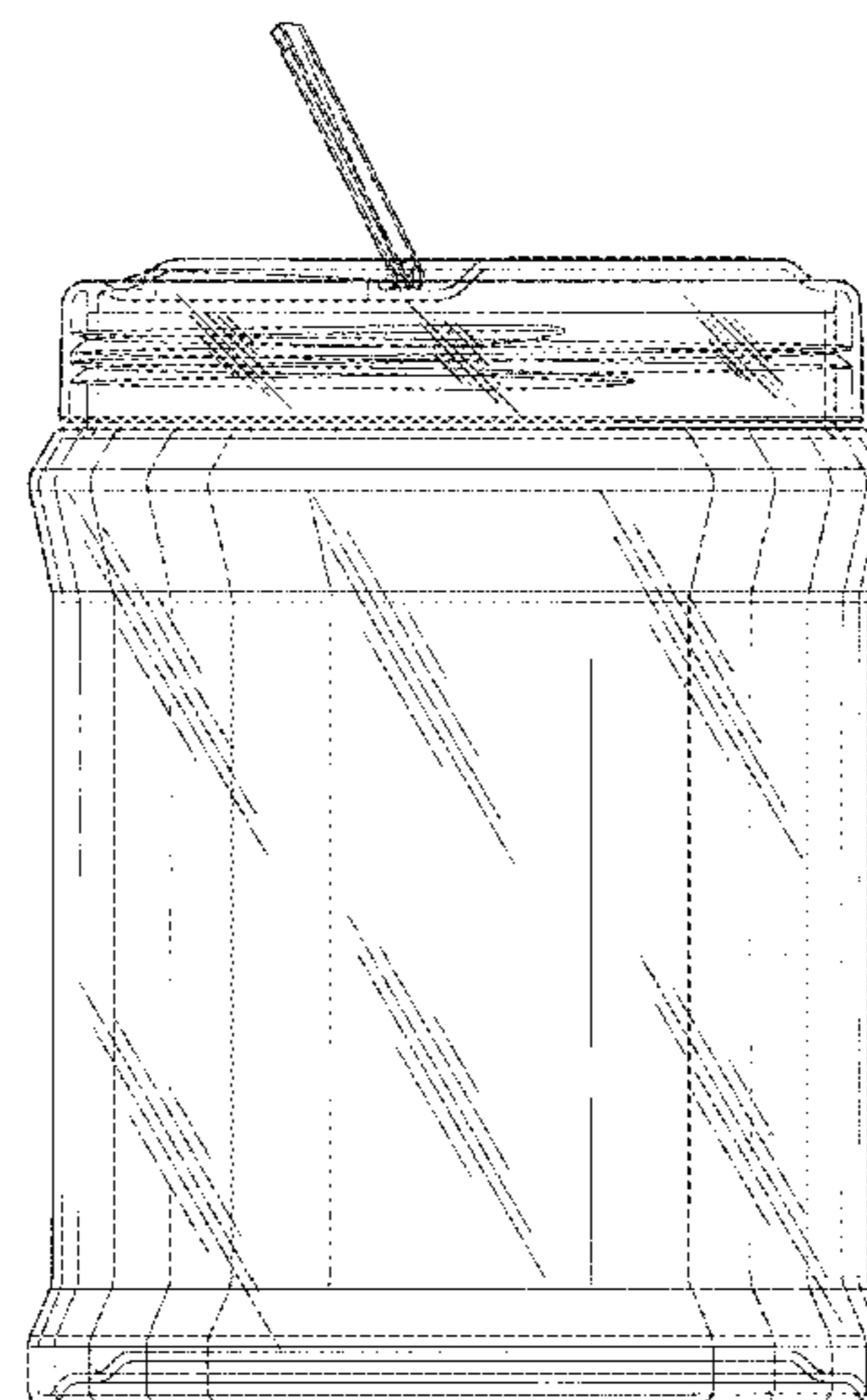
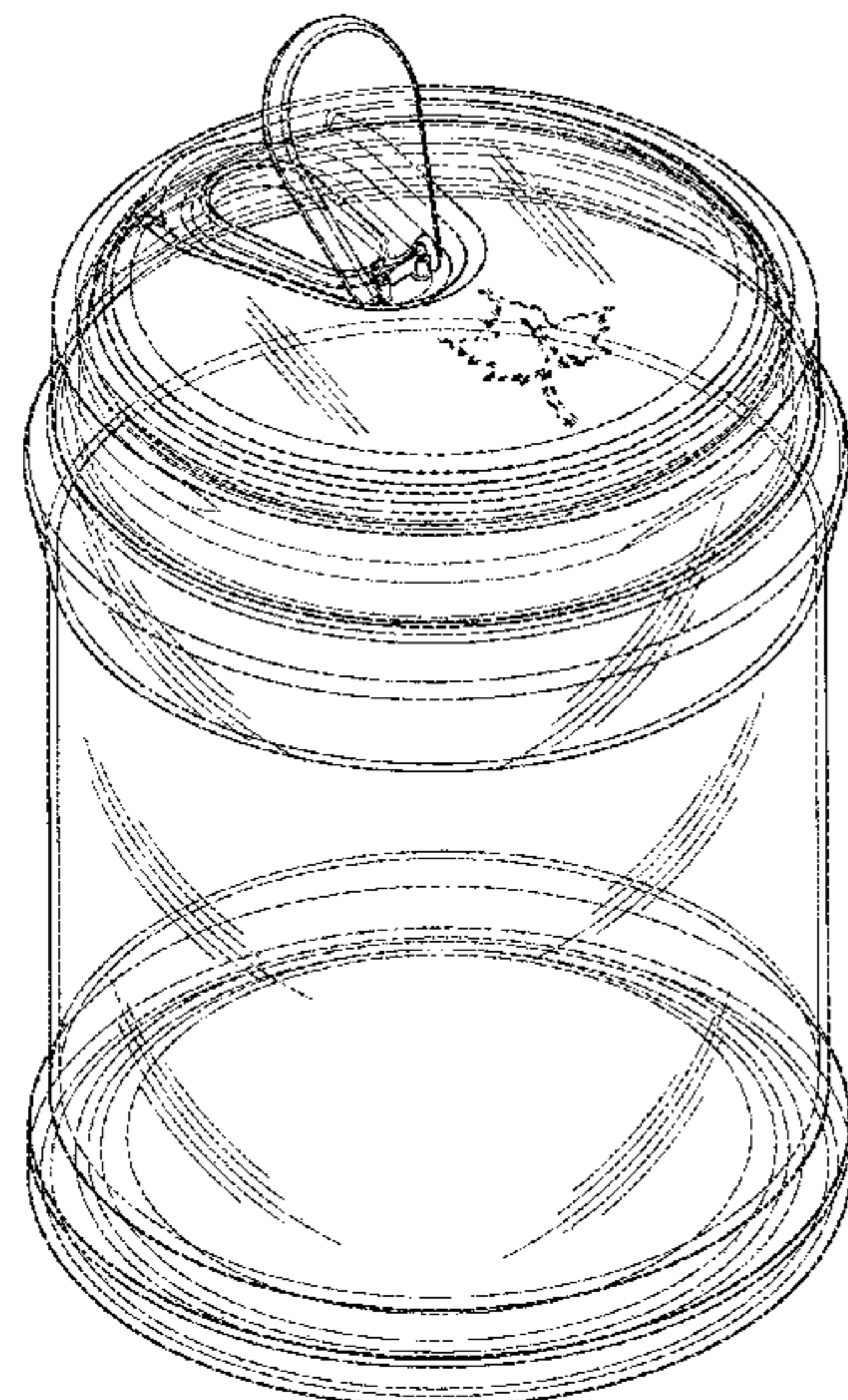
I claim the ornamental design for a container, as shown and
described.

DESCRIPTION

FIG. 1 is a top perspective view of a container, with the lid
in a closed position;
FIG. 2 is a front elevation view thereof;
FIG. 3 is a rear elevation view thereof;
FIG. 4 is a right side elevation view thereof;
FIG. 5 is a left side elevation view thereof;
FIG. 6 is a top plan view thereof;
FIG. 7 is a bottom plan view thereof;
FIG. 8 is a top perspective view of the container, with the lid
in an open position;
FIG. 9 is a front elevation view thereof;
FIG. 10 is a rear elevation view thereof;
FIG. 11 is a right side elevation view thereof;
FIG. 12 is a left side elevation view thereof;
FIG. 13 is a top plan view thereof; and,
FIG. 14 is a bottom plan view thereof.

The broken lines in the drawings illustrate the portions of the
container that form no part of the claim.

1 Claim, 14 Drawing Sheets



(56)

References Cited

U.S. PATENT DOCUMENTS

D681,480 S * 5/2013 Maxwell-Wood D9/777
D756,784 S * 5/2016 Fine D9/500
D758,192 S 6/2016 Eyal
D815,947 S 4/2018 Hurley et al.
2007/0235477 A1 10/2007 Penny et al.

* cited by examiner

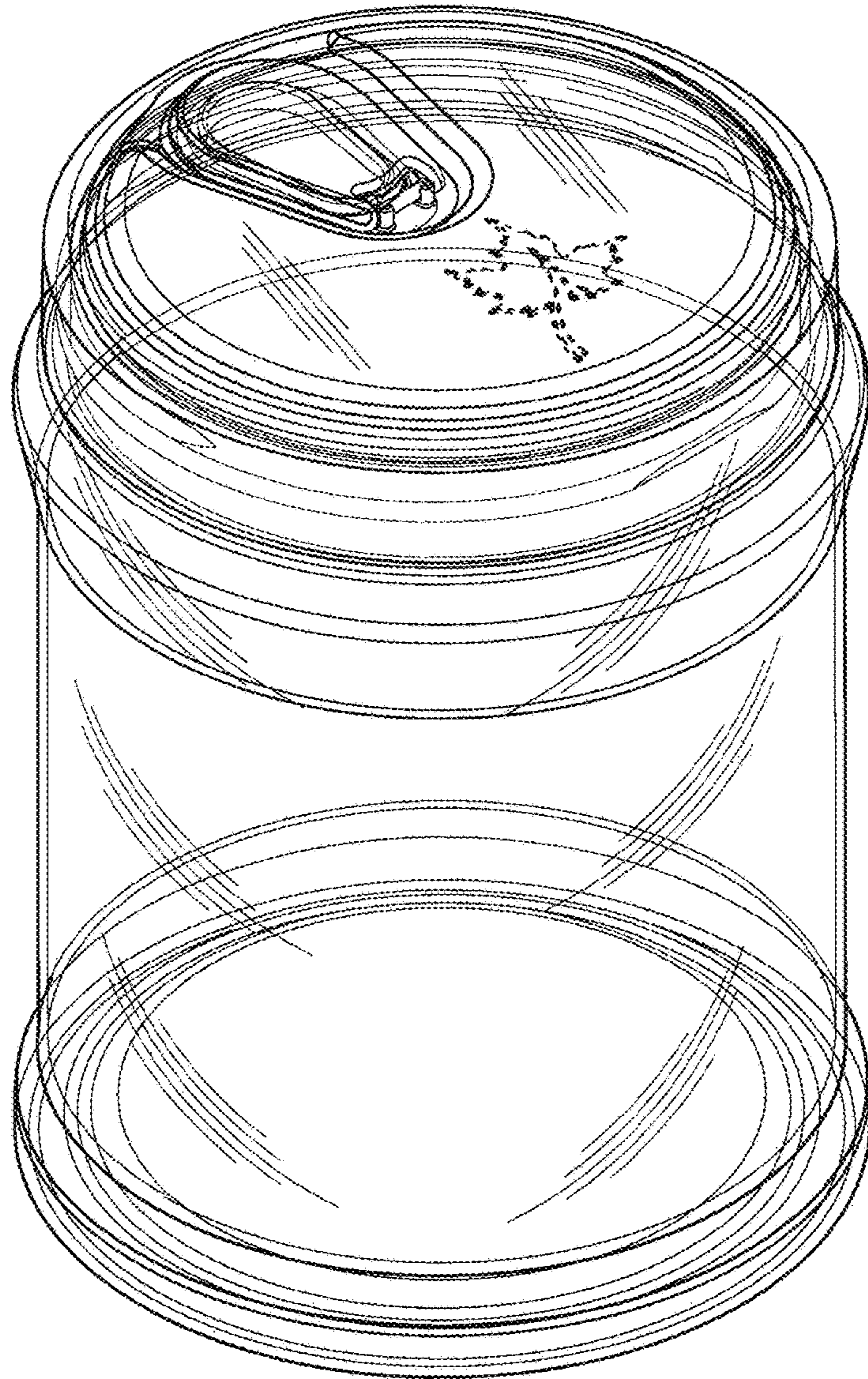


FIG.1

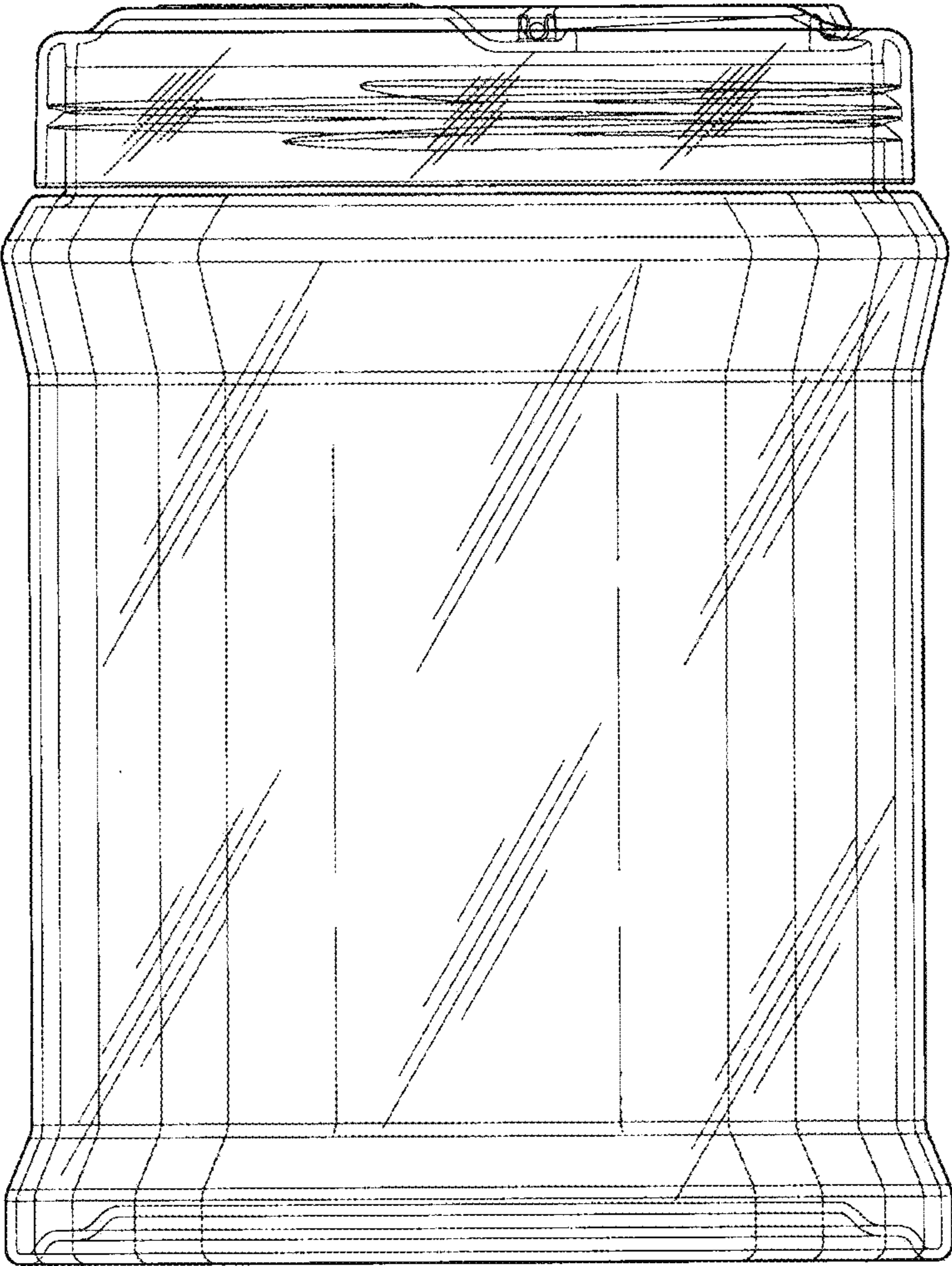


FIG.2

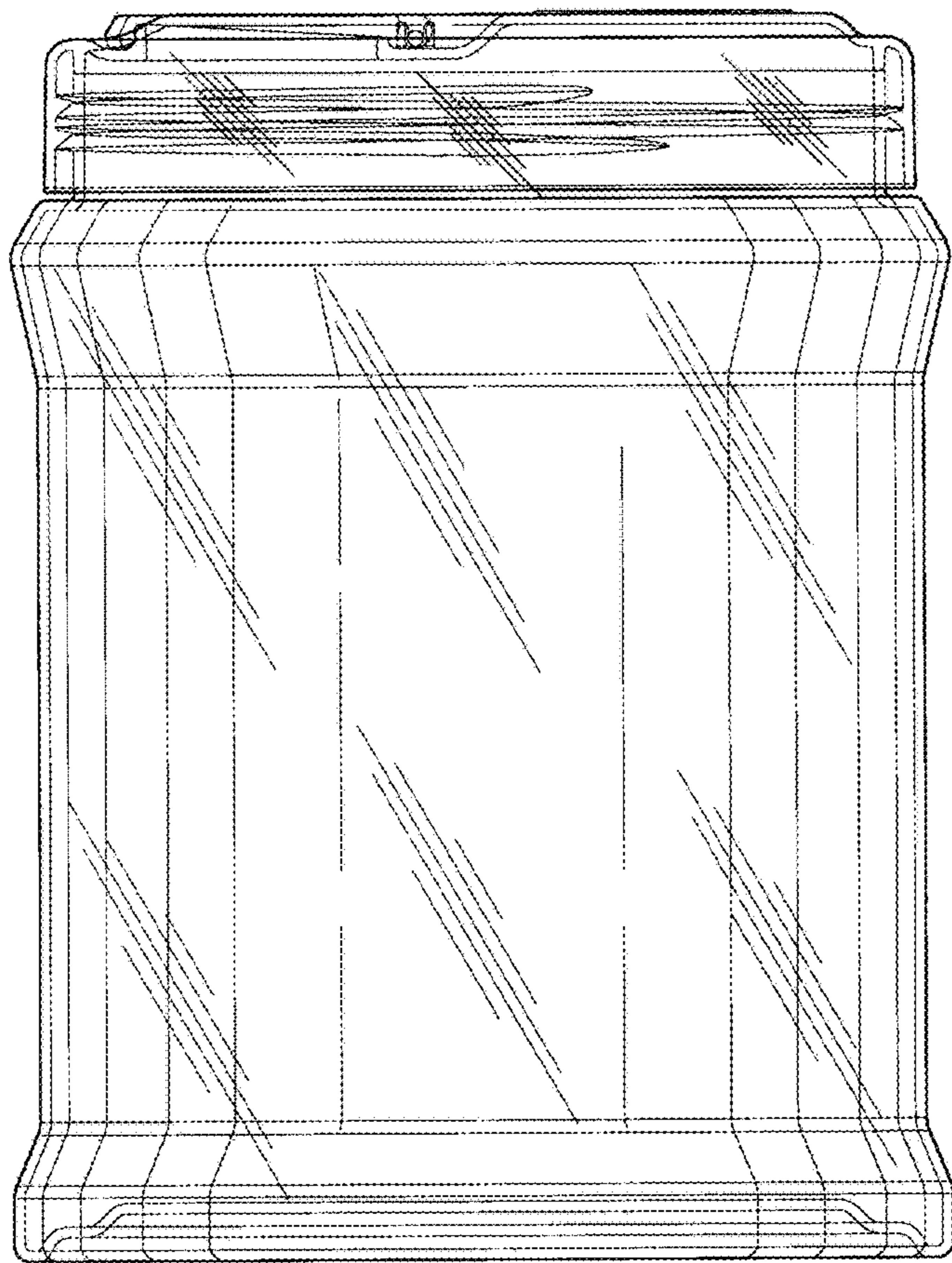


FIG.3

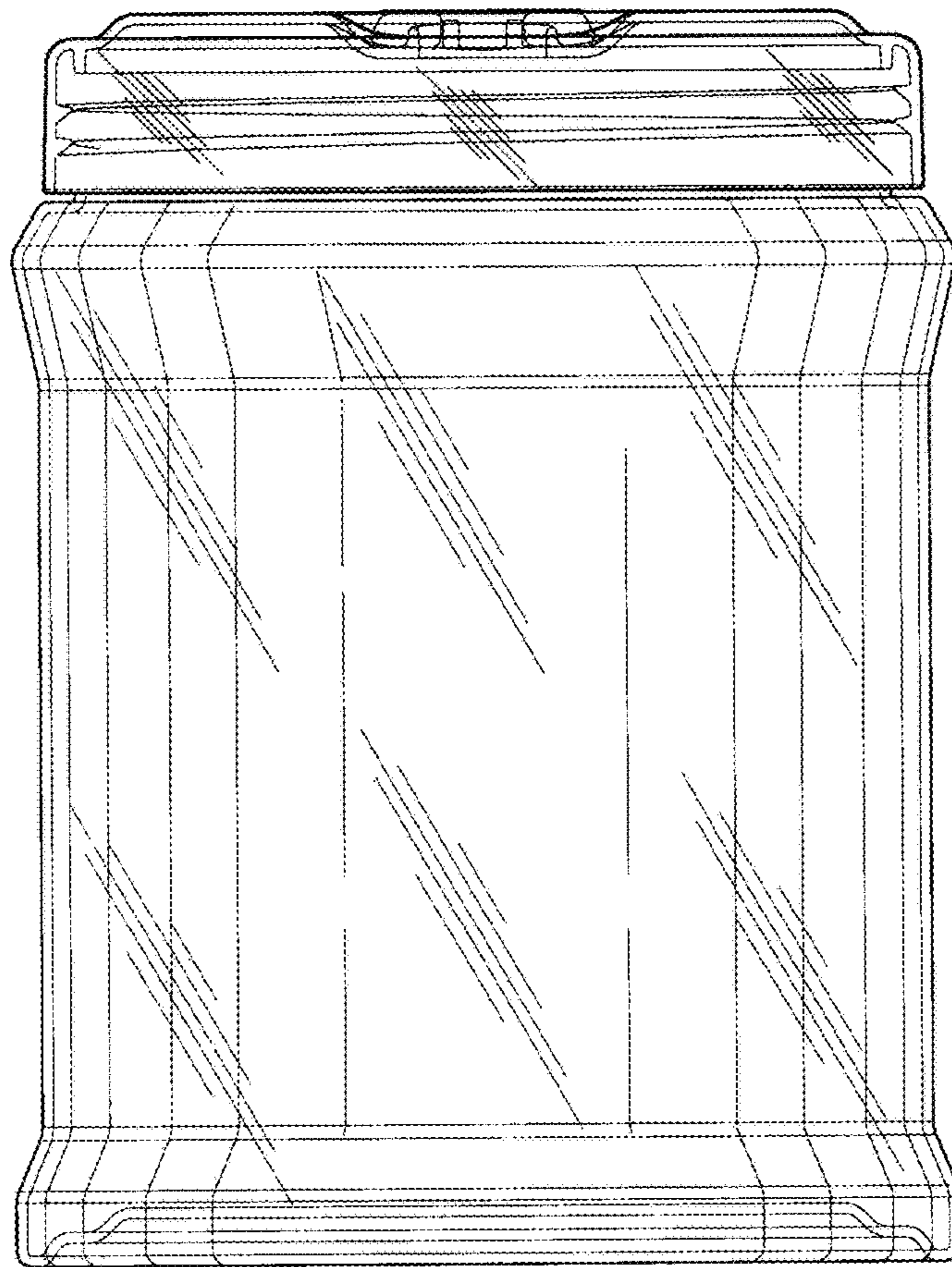


FIG.4

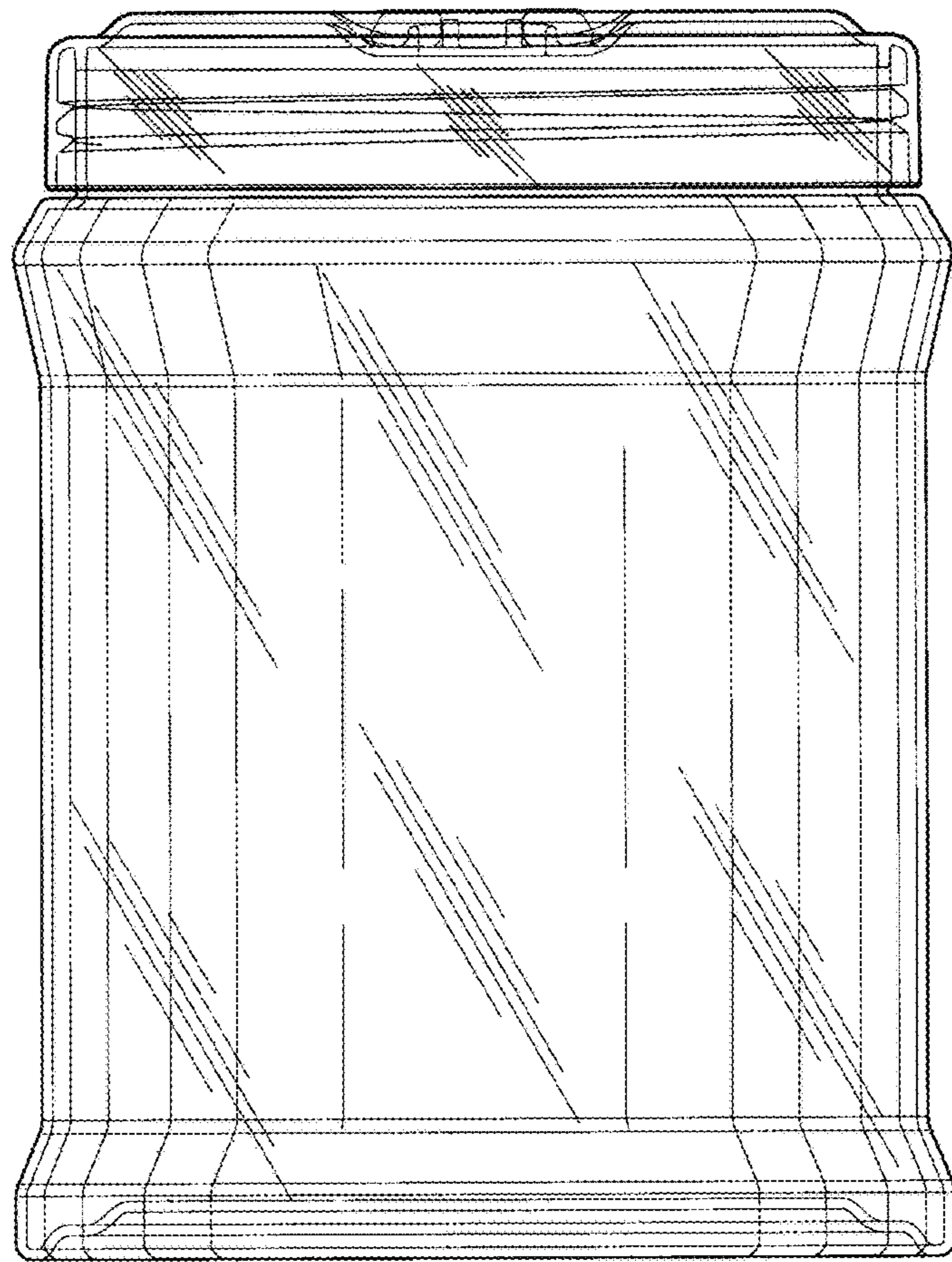


FIG.5

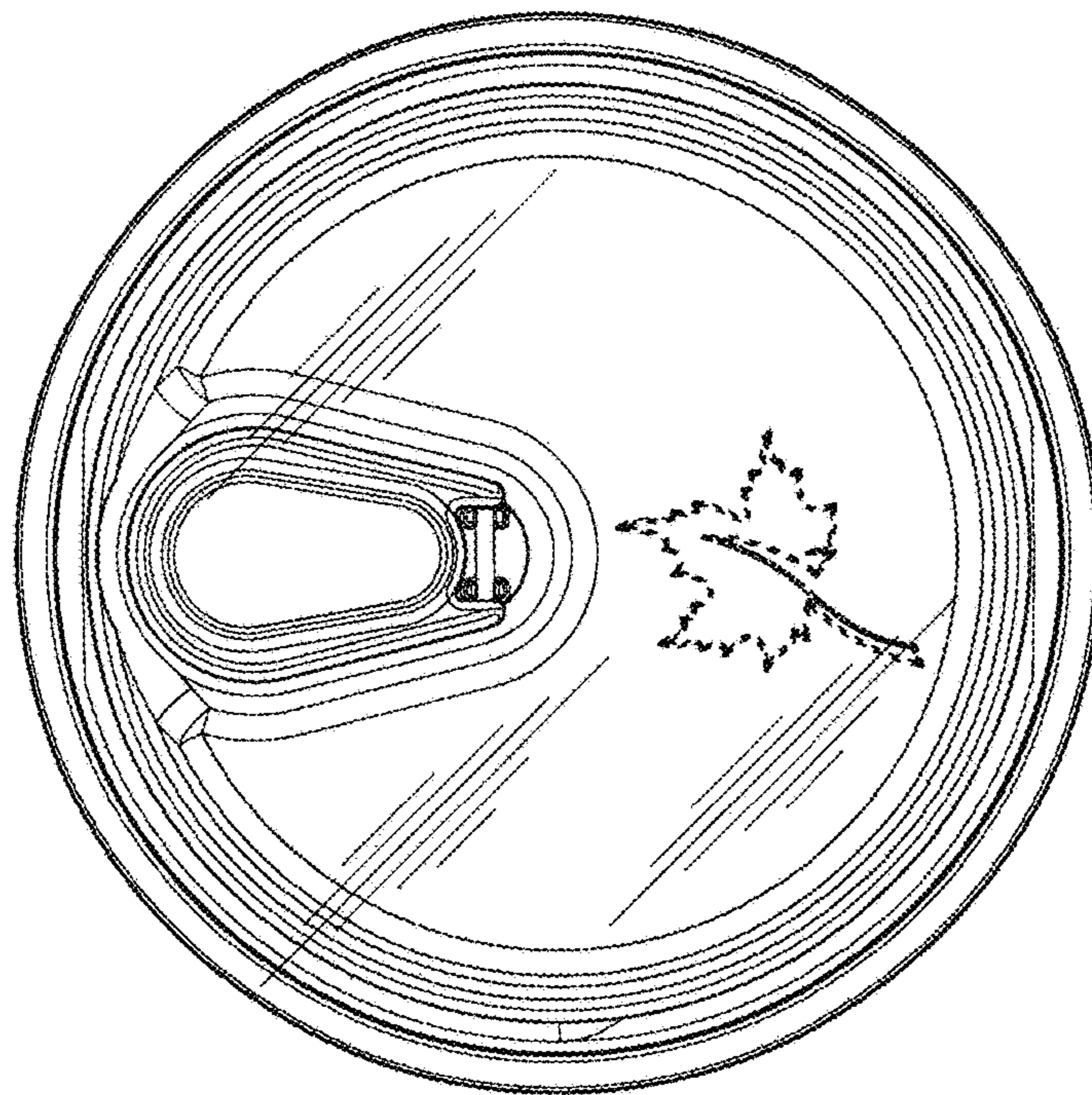


FIG.6

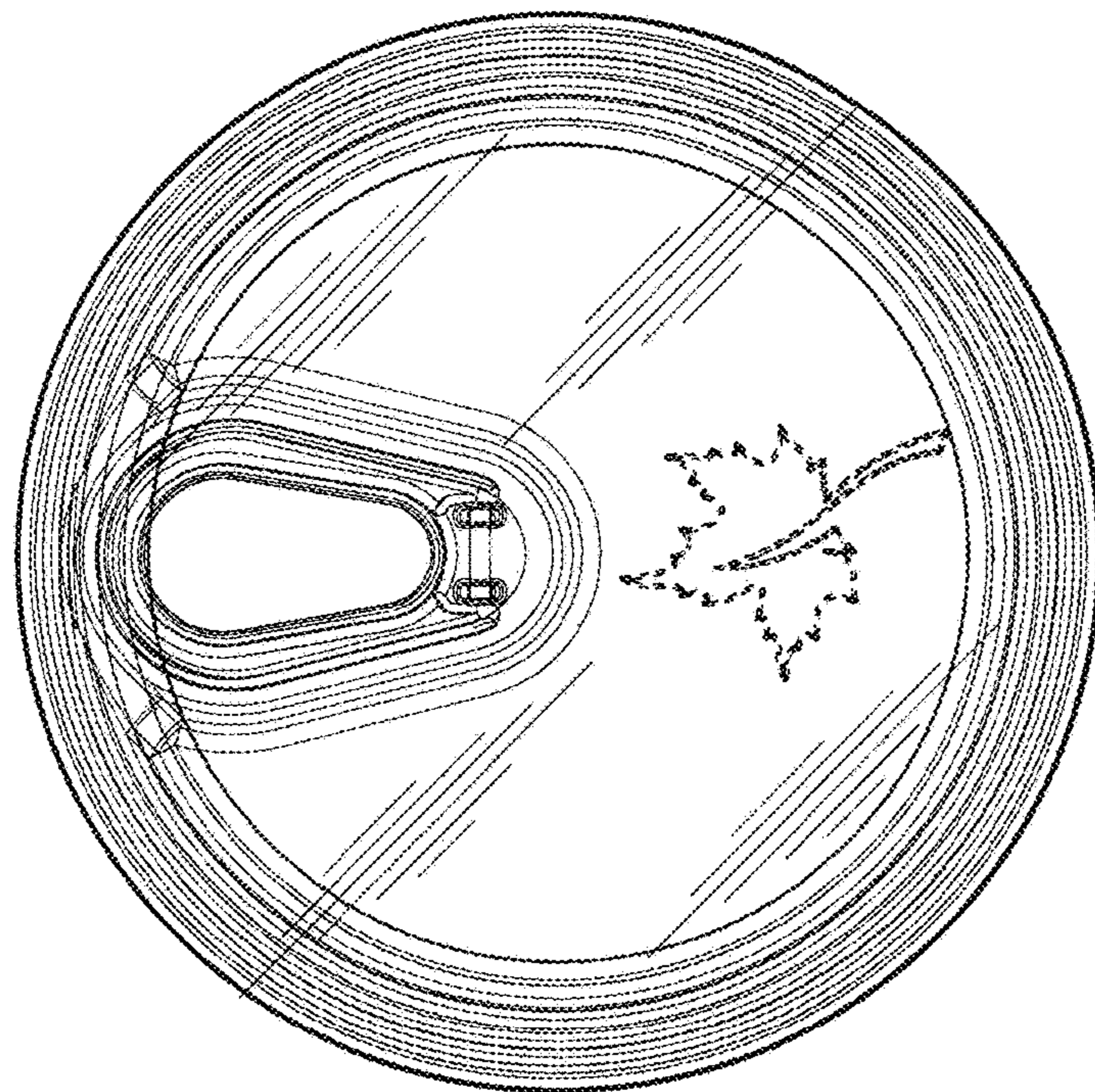


FIG.7

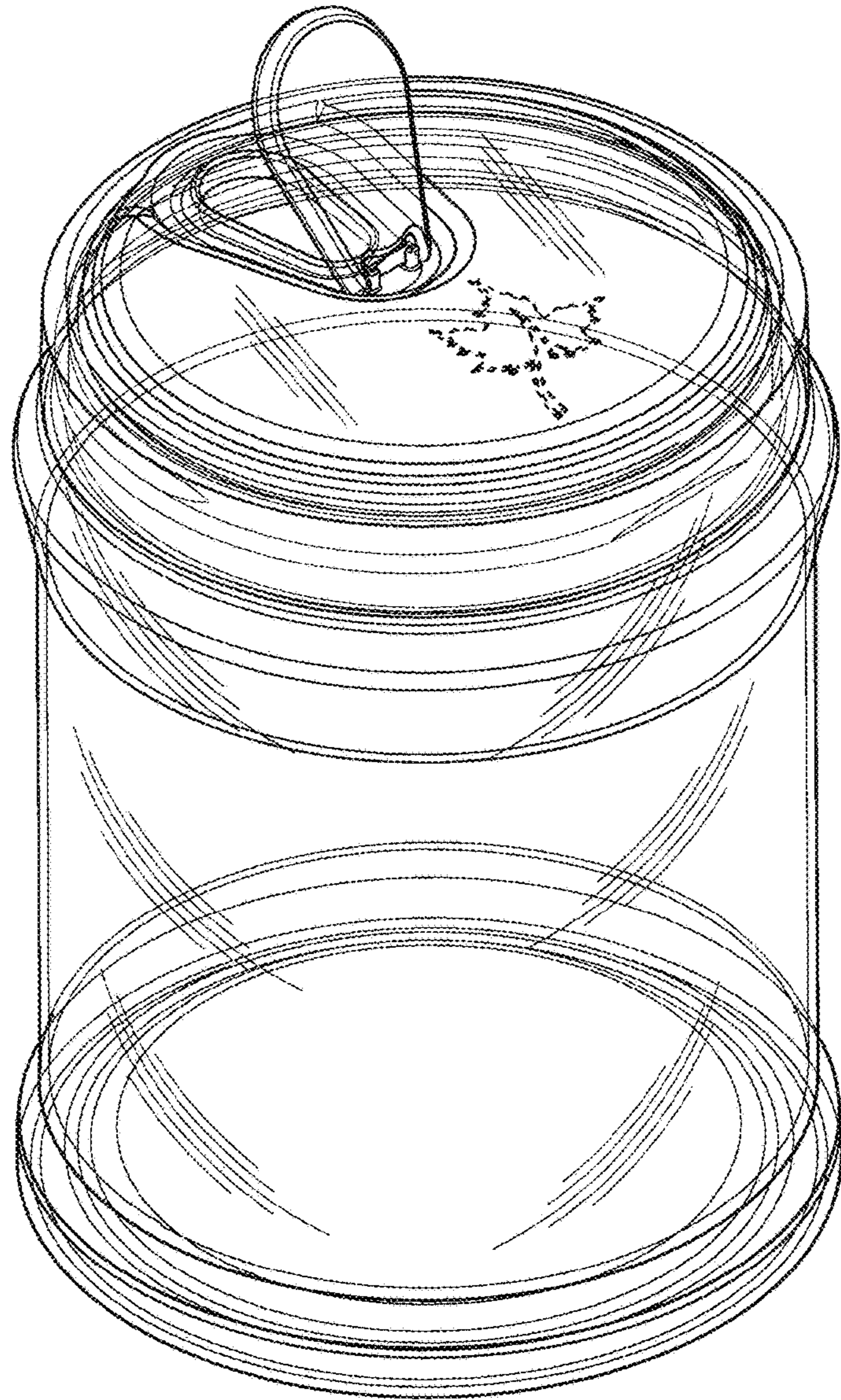


FIG. 8

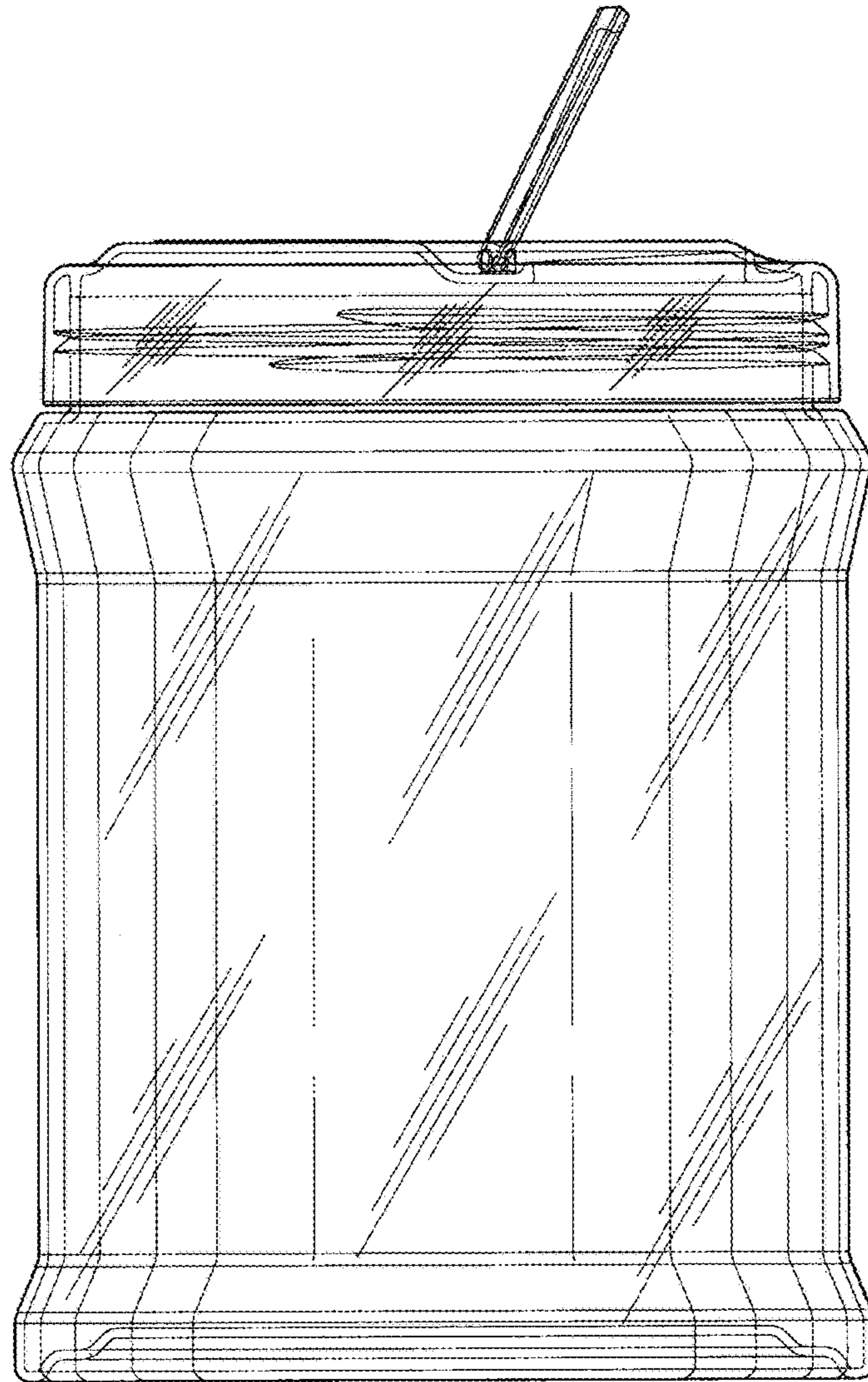


FIG. 9

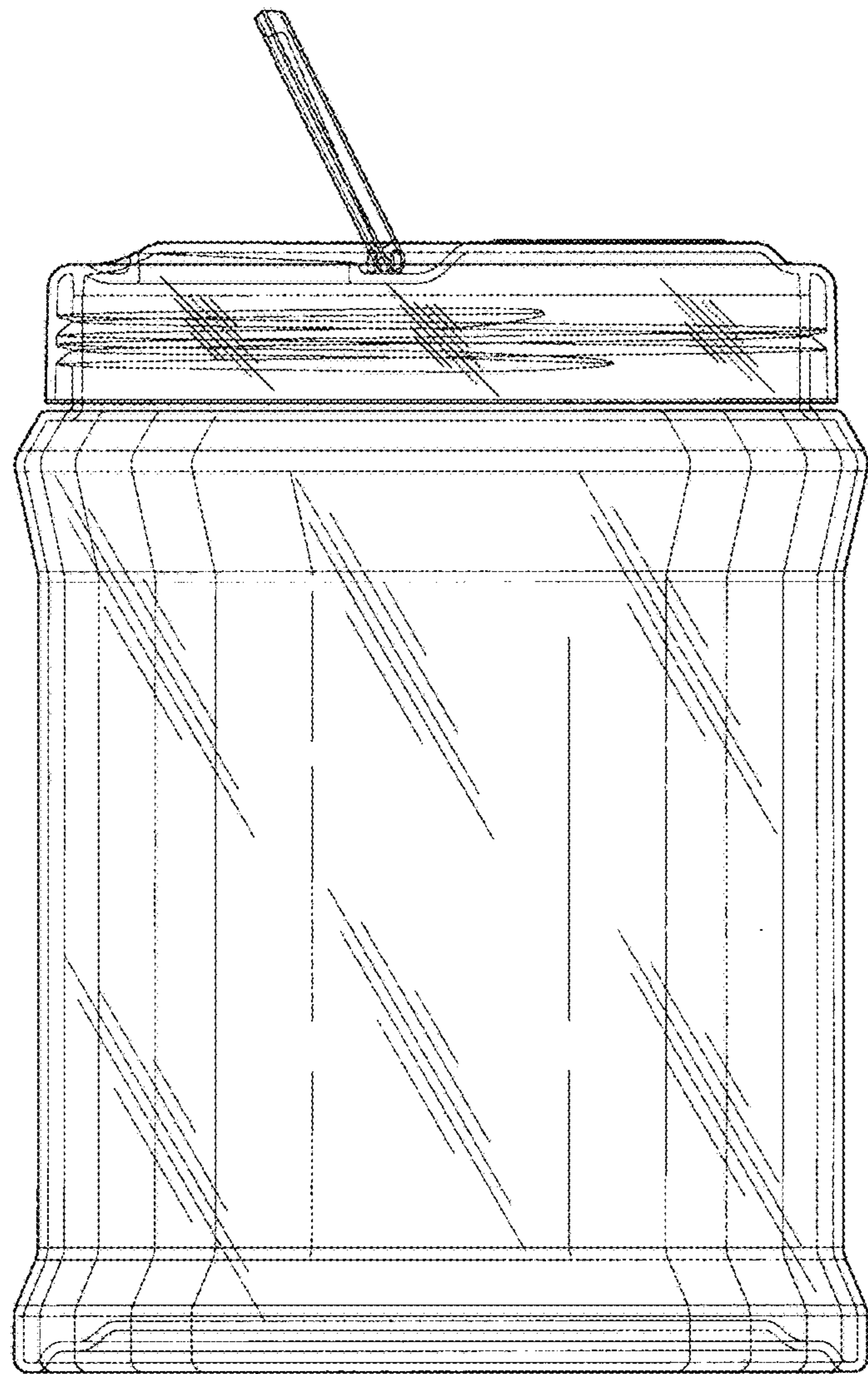


FIG. 10

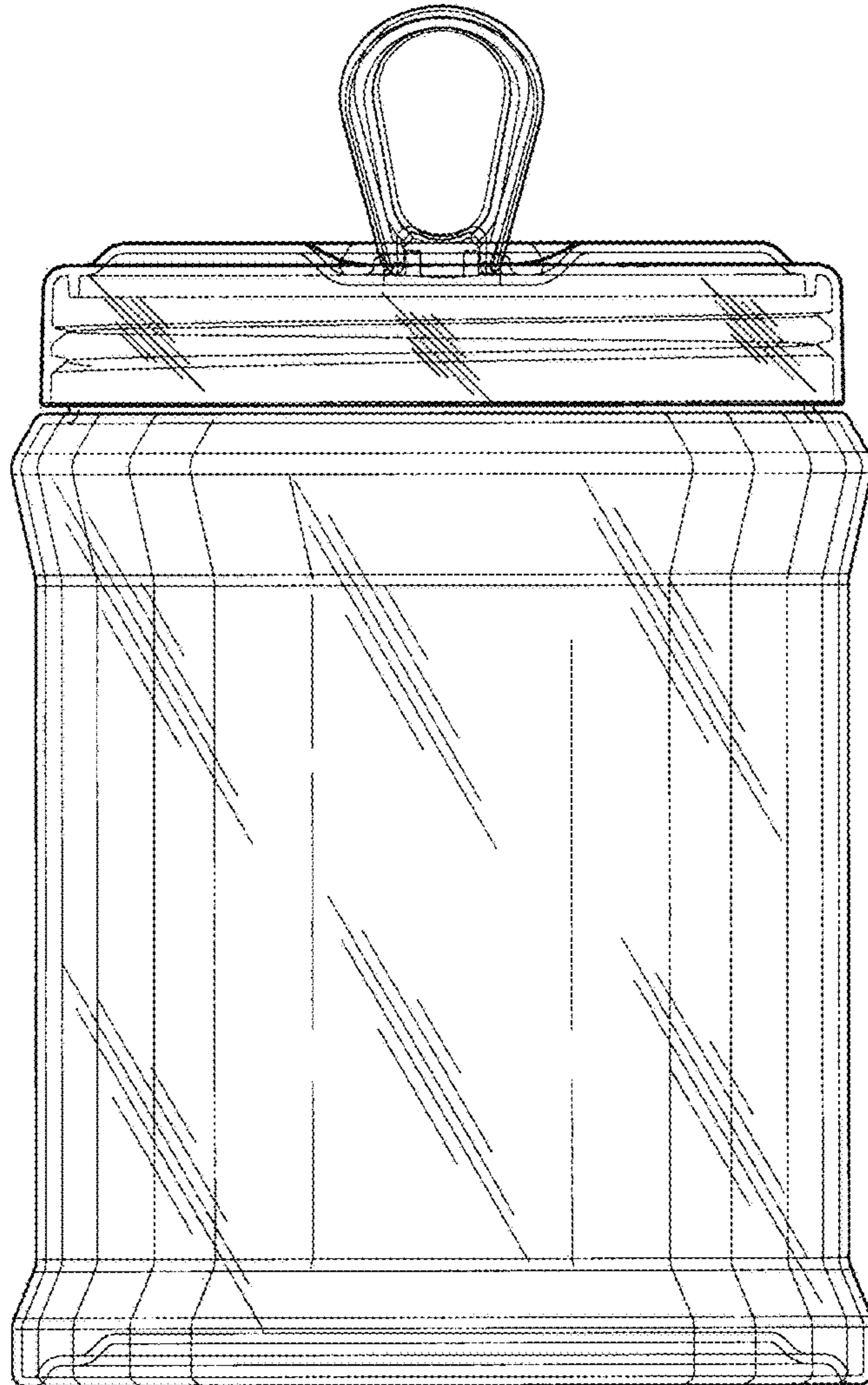


FIG. 11

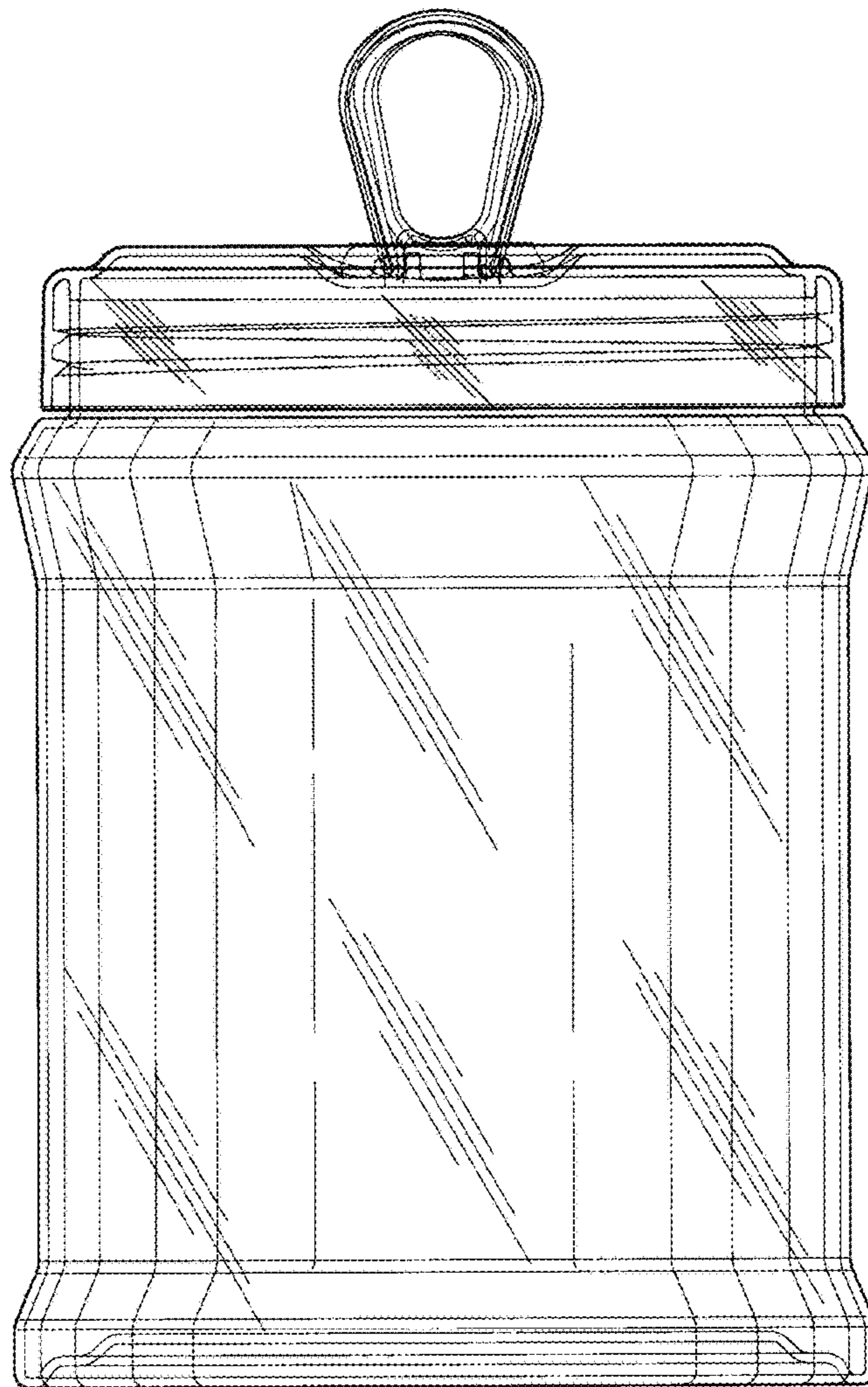


FIG. 12

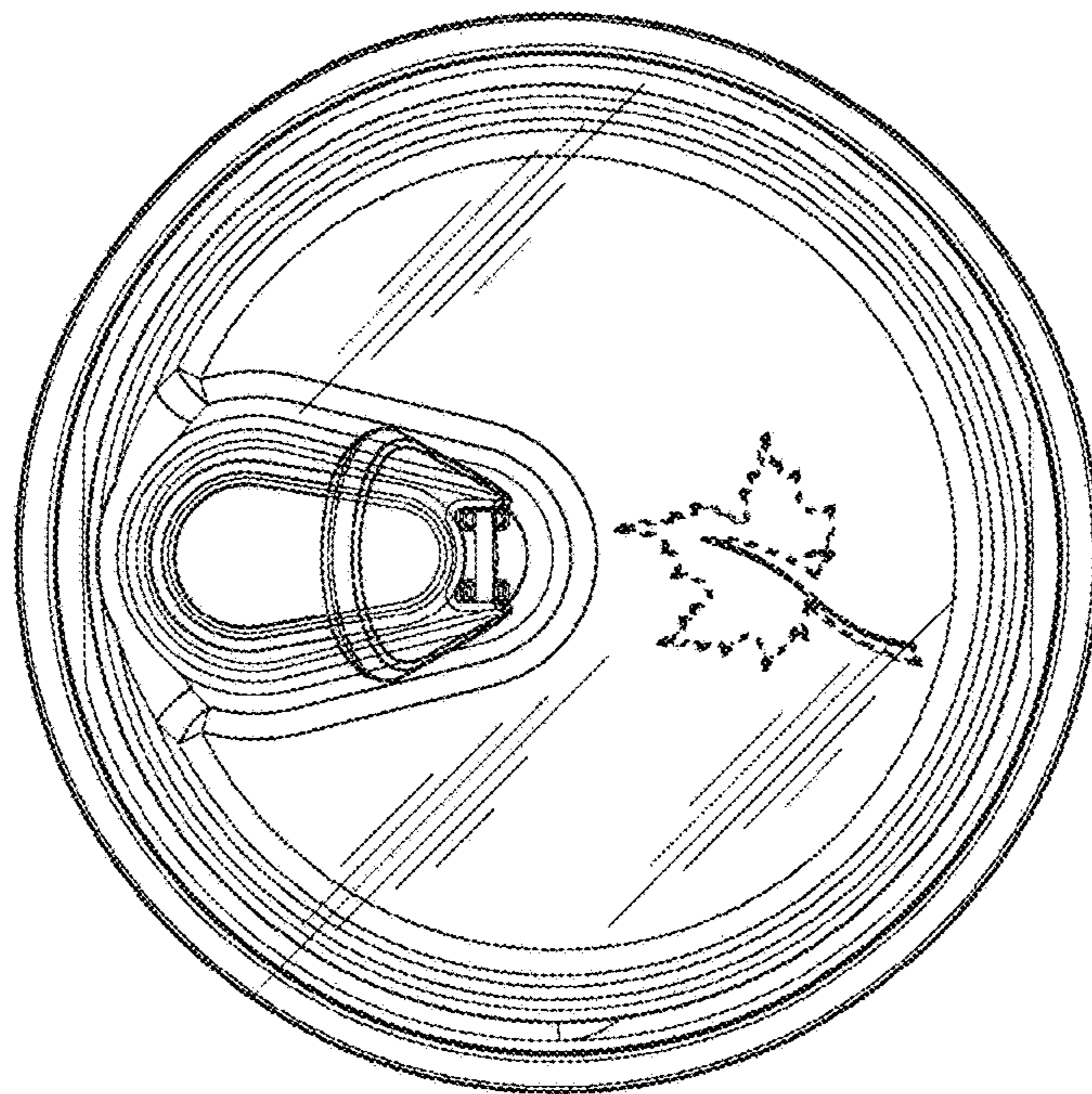


FIG. 13

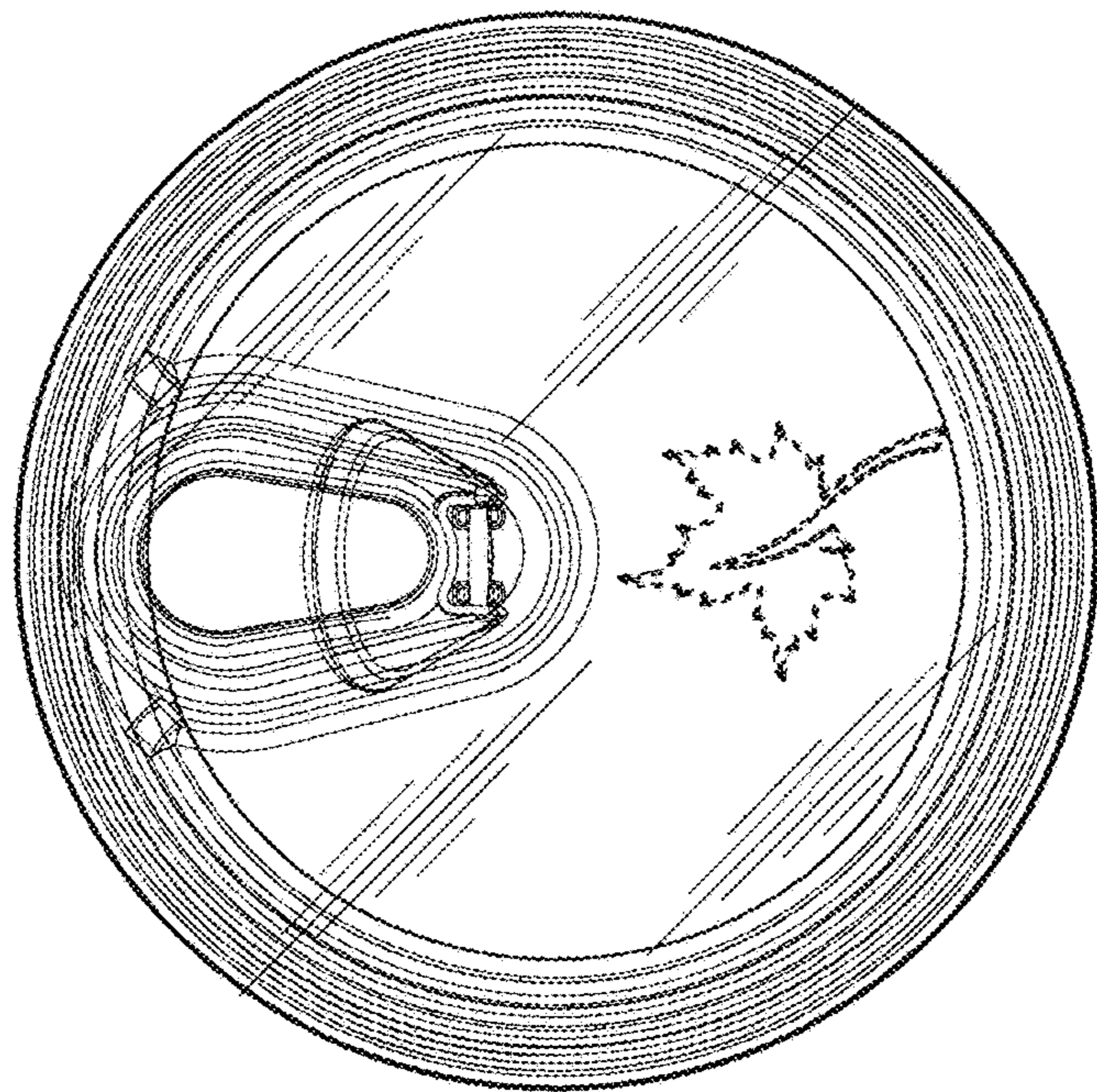


FIG.14