



US00D859157S

(12) **United States Design Patent**  
**Hazelton et al.**

(10) **Patent No.:** **US D859,157 S**

(45) **Date of Patent:** **\*\* Sep. 10, 2019**

(54) **COMBINED SQUEEZE BOTTLE AND CAP**

(71) Applicants: **Lance Eric Hazelton**, West New York, NJ (US); **Paul Lacotta**, Tenafly, NJ (US)

(72) Inventors: **Lance Eric Hazelton**, West New York, NJ (US); **Paul Lacotta**, Tenafly, NJ (US)

(73) Assignee: **HELEN OF TROY LIMITED**, St. Michael (BB)

(\*\*) Term: **15 Years**

(21) Appl. No.: **29/603,933**

(22) Filed: **May 13, 2017**

(51) **LOC (12) Cl.** ..... **09-01**

(52) **U.S. Cl.**  
USPC ..... **D9/503; D7/589**

(58) **Field of Classification Search**  
USPC ..... D7/300-302, 313, 318, 398, 598, 600, D7/619.1, 490, 491, 621, 665; D9/682, D9/435, 438, 446, 449, 453, 500, 503; D3/202; D24/121, 217, 224  
CPC ... B67D 1/0412; B67D 1/0418; B67D 1/0406  
See application file for complete search history.

(56) **References Cited**

**U.S. PATENT DOCUMENTS**

D136,452 S *	10/1943	Trump	.....	D8/DIG. 2
D221,132 S *	7/1971	Schiavone	.....	D24/115
D226,555 S *	3/1973	Weber	.....	D9/446
D356,597 S *	3/1995	Gray	.....	347/87
D358,964 S *	6/1995	Foster	.....	D12/411
D384,149 S *	9/1997	Usher	.....	D24/110
D391,448 S *	3/1998	Winer	.....	D7/510
D402,547 S *	12/1998	Galecki	.....	D9/609
D406,533 S *	3/1999	Maus	.....	D9/449

D425,195 S *	5/2000	Hellstrom	.....	D24/115
D429,593 S *	8/2000	Thuma	.....	D7/300
D436,539 S *	1/2001	Spreitzer	.....	D9/503
D487,227 S *	3/2004	Haley	.....	D9/434
D524,649 S *	7/2006	Samartgis	.....	D9/446
D547,181 S *	7/2007	Miller	.....	D9/435
D555,428 S *	11/2007	Tulett	.....	D7/510
D591,106 S *	4/2009	Dominique	.....	D7/507
D628,483 S *	12/2010	McKinney	.....	D9/449
D675,540 S *	2/2013	Montminy	.....	D24/114
D682,612 S *	5/2013	Rzepecki	.....	D7/392.1
D691,420 S *	10/2013	McIntire	.....	D7/510

(Continued)

*Primary Examiner* — Ian Simmons

*Assistant Examiner* — Keith Frank

(57) **CLAIM**

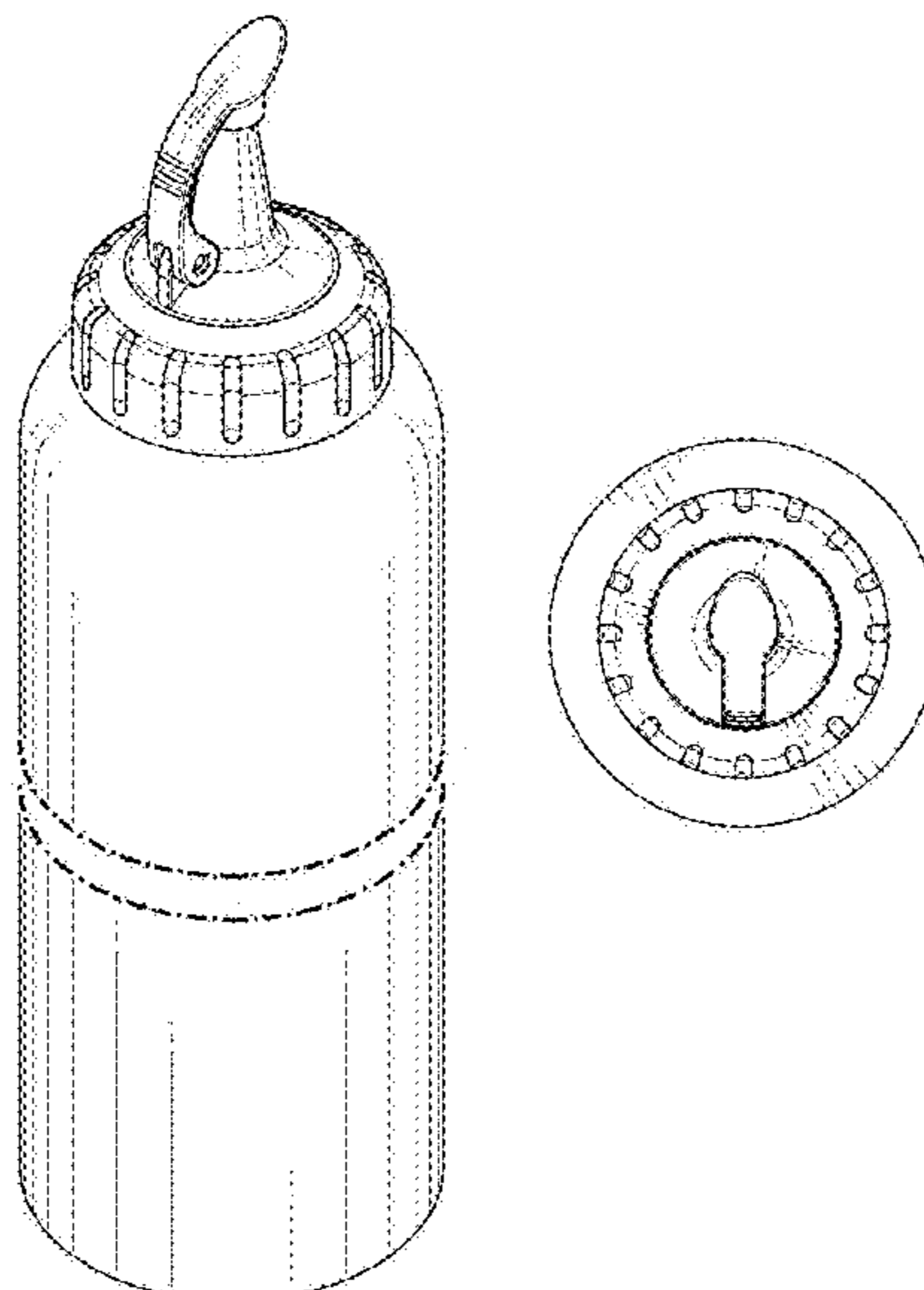
The ornamental design for a combined squeeze bottle and cap, as shown, and described.

**DESCRIPTION**

FIG. 1 is a perspective view of a combined squeeze bottle and cap in a first embodiment;  
 FIG. 2 is a left side view thereof (with the right side being a mirror image thereof);  
 FIG. 3 is a rear elevation view thereof;  
 FIG. 4 is a front elevation view thereof;  
 FIG. 5 is a top plan view thereof;  
 FIG. 6 is a perspective view thereof in a second embodiment;  
 FIG. 7 is a left side view thereof (with the right side being a mirror image thereof);  
 FIG. 8 is a rear elevation view thereof;  
 FIG. 9 is a front elevation view thereof; and,  
 FIG. 10 is a top plan view thereof.

The dash-dot-dash broken lines represent the bounds of the combined squeeze bottle and cap. The appearance of any portion of the article between the dash-dot-dash boundary lines forms no part of the claimed design.

**1 Claim, 10 Drawing Sheets**



(56)

**References Cited**

U.S. PATENT DOCUMENTS

D691,849	S *	10/2013	Cetera .....	D7/392.1
D692,319	S *	10/2013	Moreau .....	D9/724
D726,553	S *	4/2015	Koptis .....	D9/724
D731,324	S *	6/2015	Li .....	D9/552
D760,027	S *	6/2016	Meyers .....	D7/510
D774,357	S *	12/2016	Palin .....	D7/510
D779,872	S *	2/2017	Bergstrom .....	D7/392.1
D784,084	S *	4/2017	Bartlett .....	D7/511
9,694,953	B2 *	7/2017	Meyers .....	A47G 19/2266
D793,810	S *	8/2017	Frazier .....	D7/510
D801,830	S *	11/2017	Zhang .....	D9/724
D805,401	S *	12/2017	Boctor .....	D9/741
D820,038	S *	6/2018	Sorensen .....	D7/392.1
D826,068	S *	8/2018	Aboabdo .....	D9/724
D830,119	S *	10/2018	Sorensen .....	D7/392.1
10,179,678	B2 *	1/2019	Oliveira .....	B65D 47/106
D839,674	S *	2/2019	Lyu .....	D7/511
2010/0032432	A1 *	2/2010	Stull, Sr. ....	B65D 47/10 220/257.1

\* cited by examiner

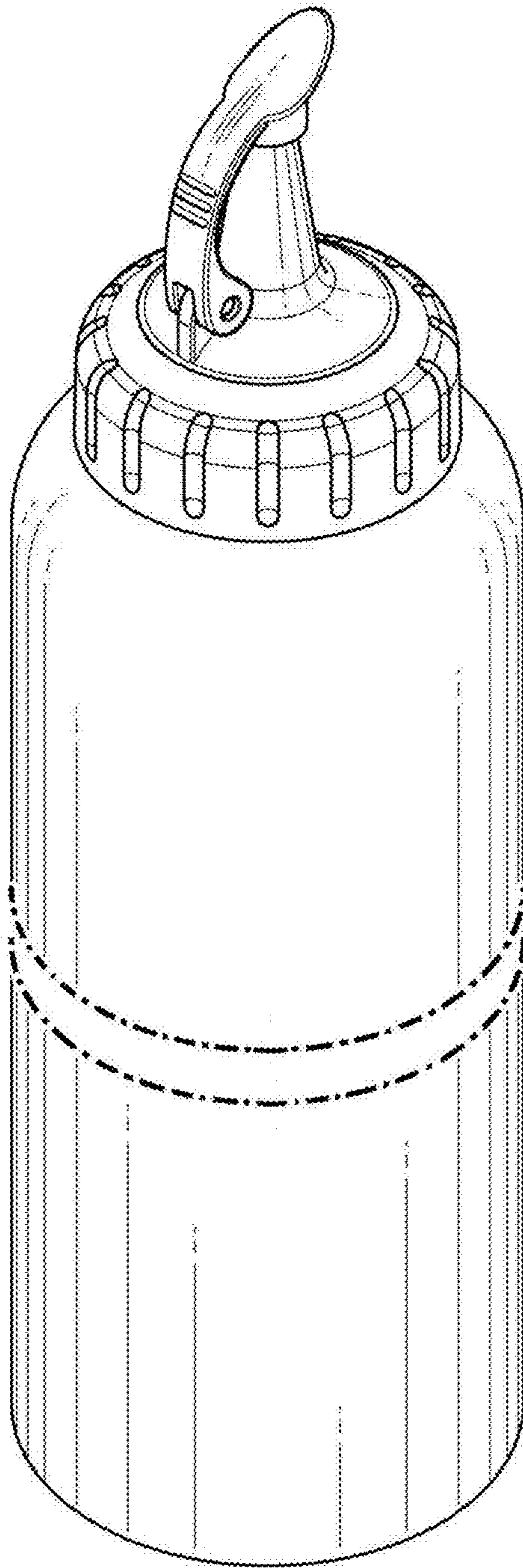


FIG. 1

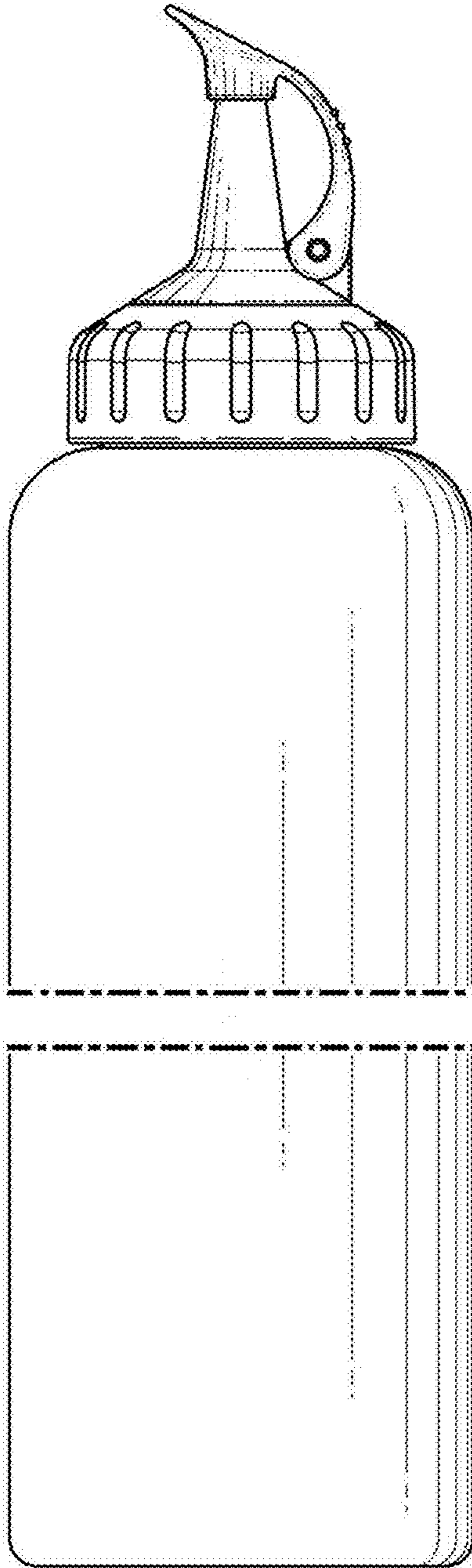


FIG. 2

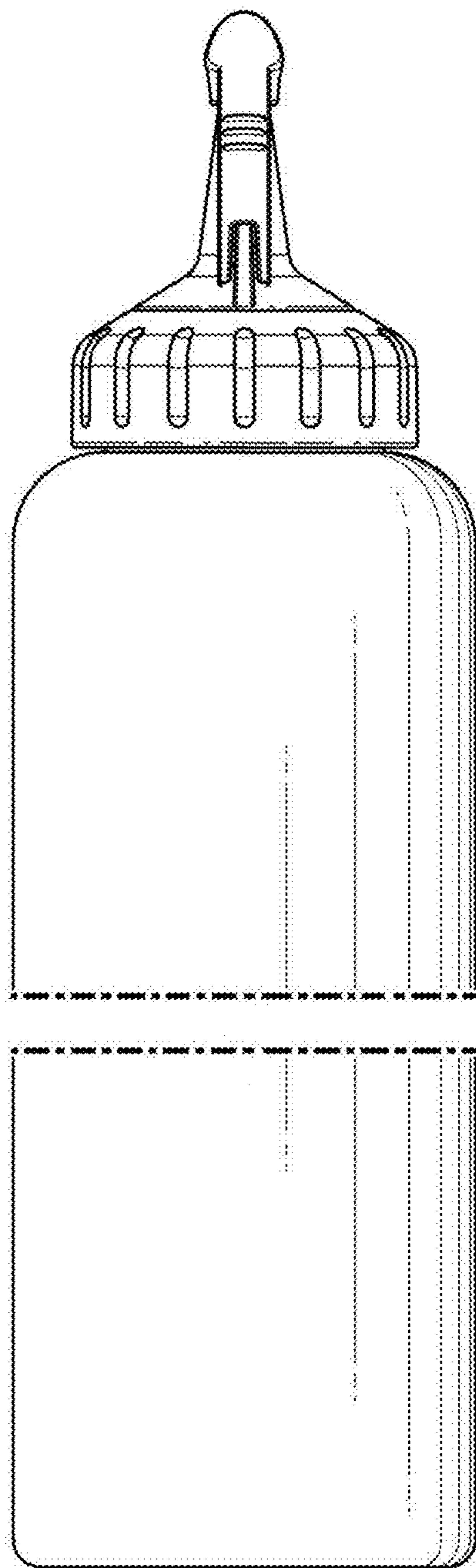


FIG. 3

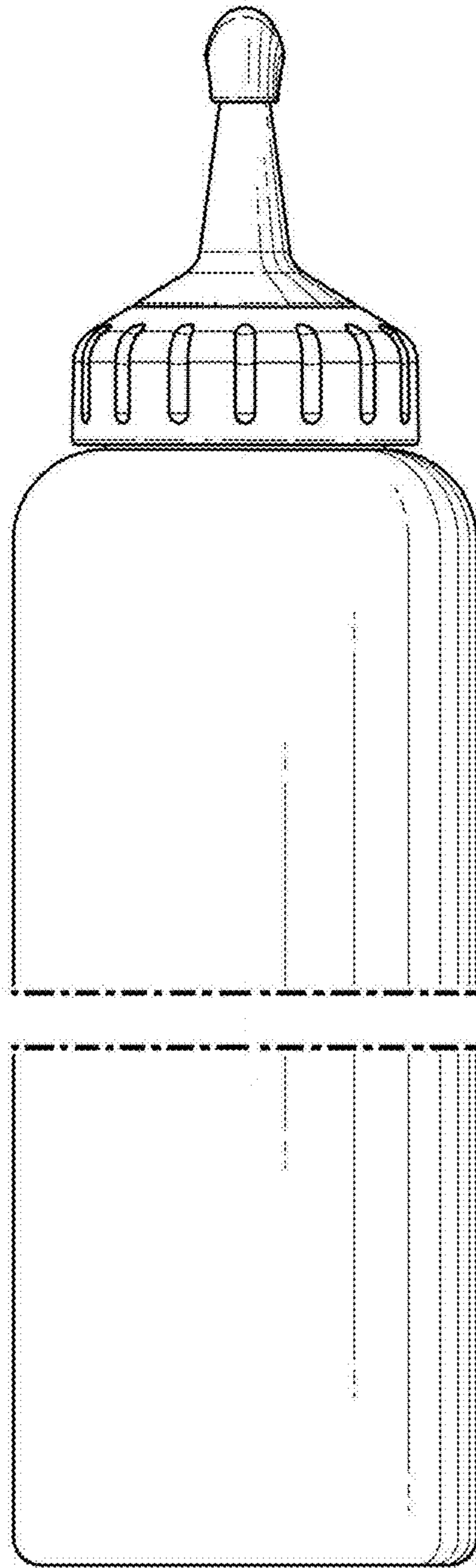


FIG. 4

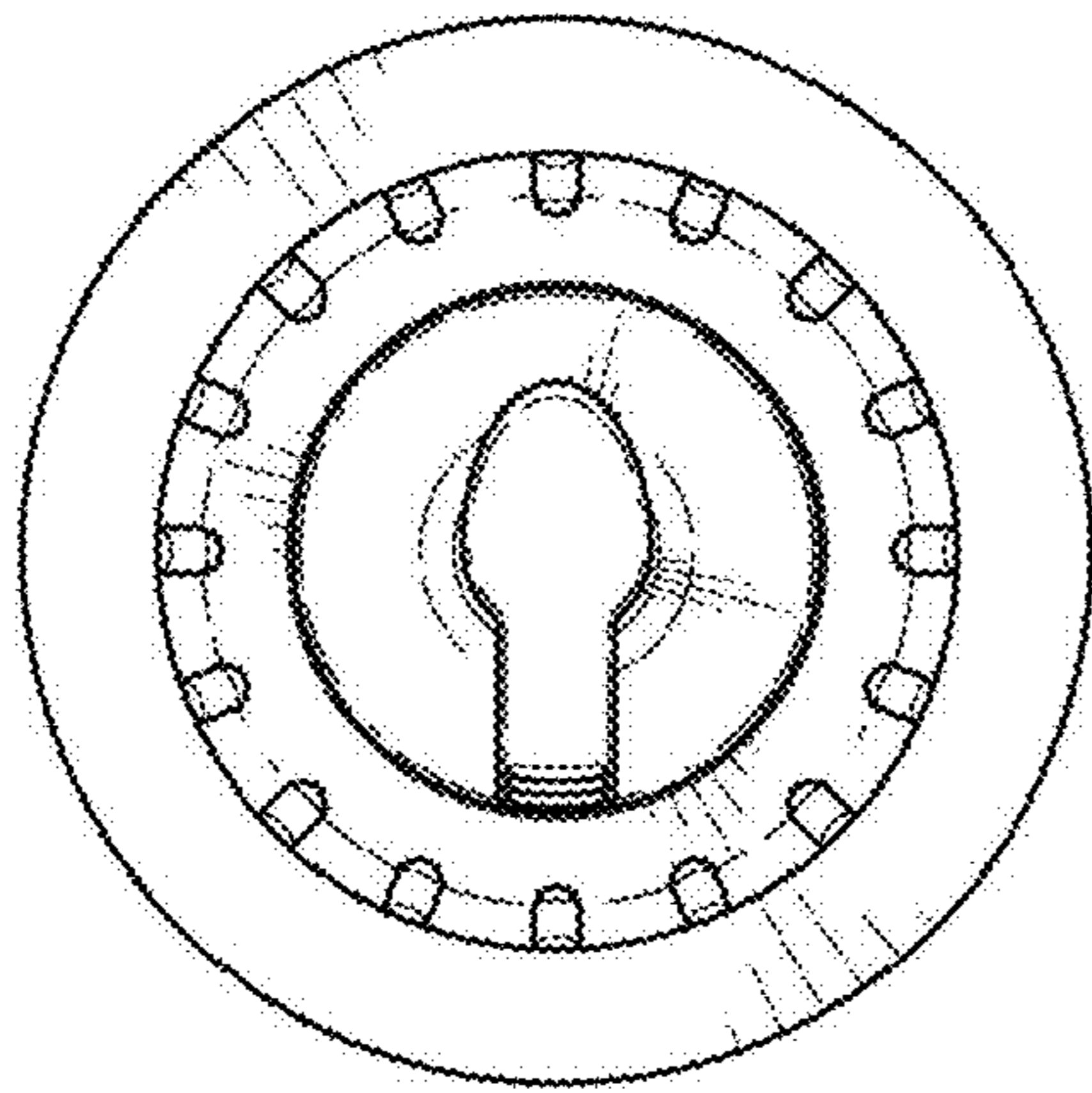


FIG. 5

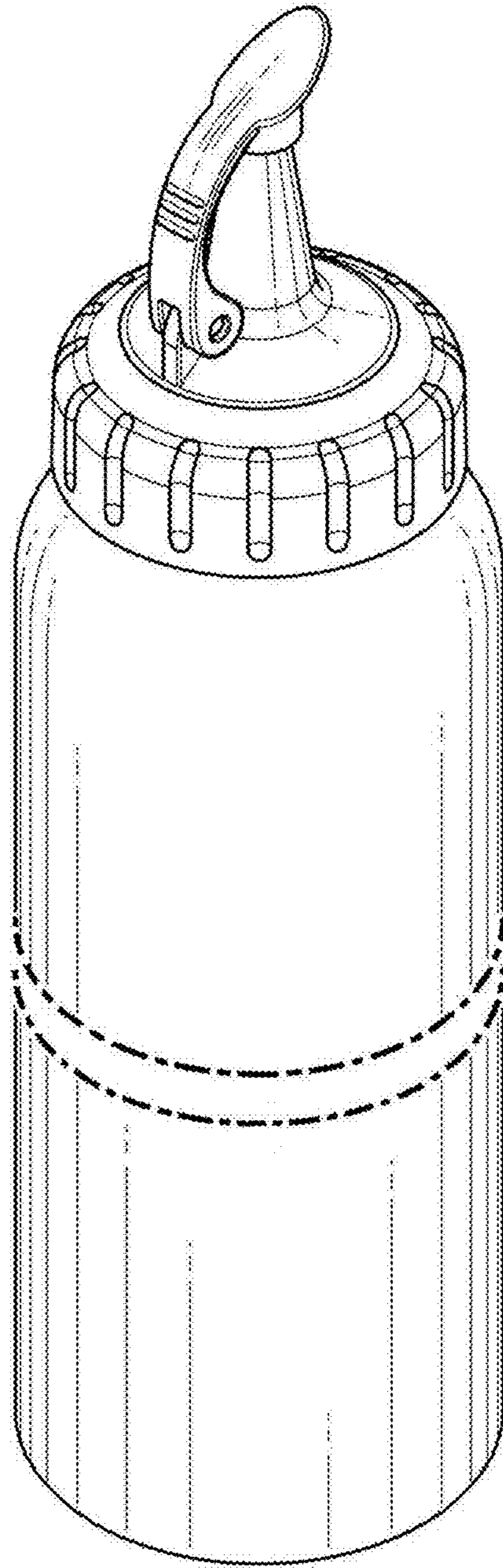


FIG. 6



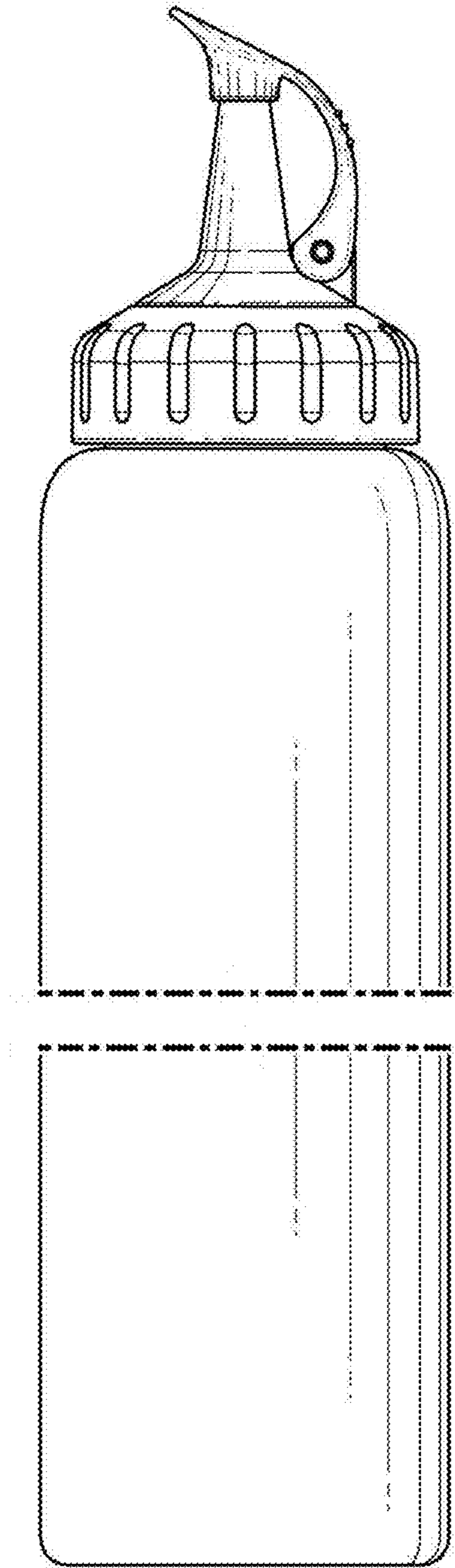


FIG. 7

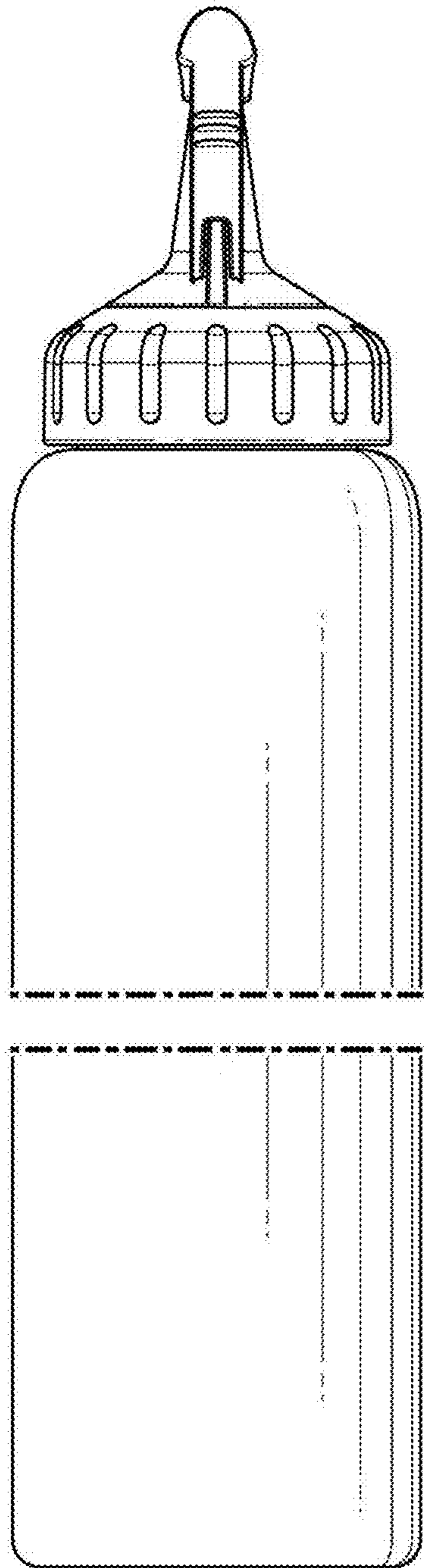


FIG. 8

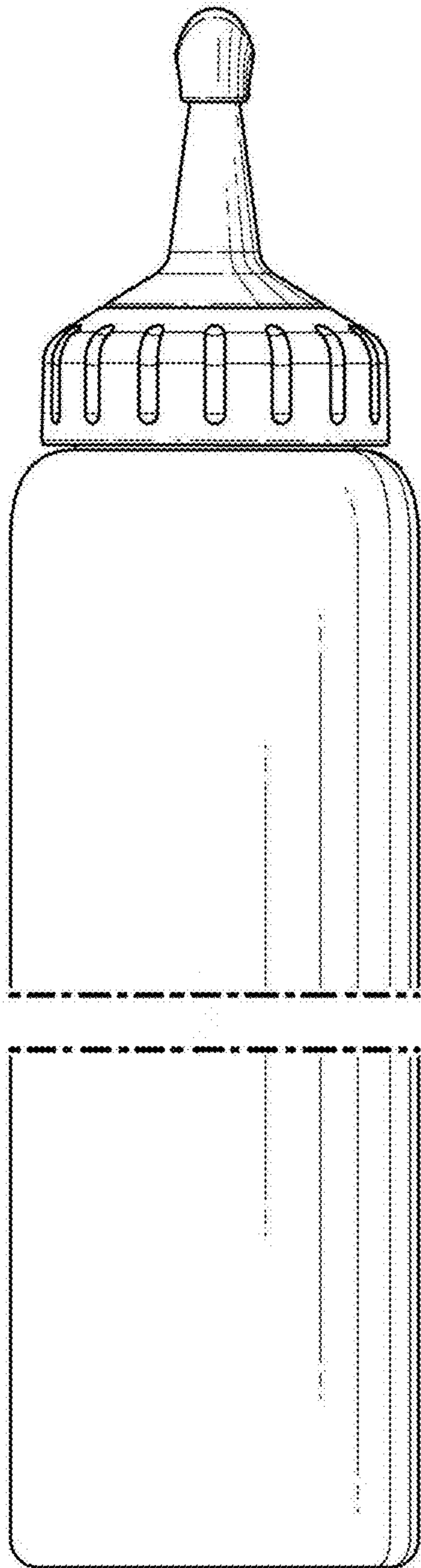


FIG. 9

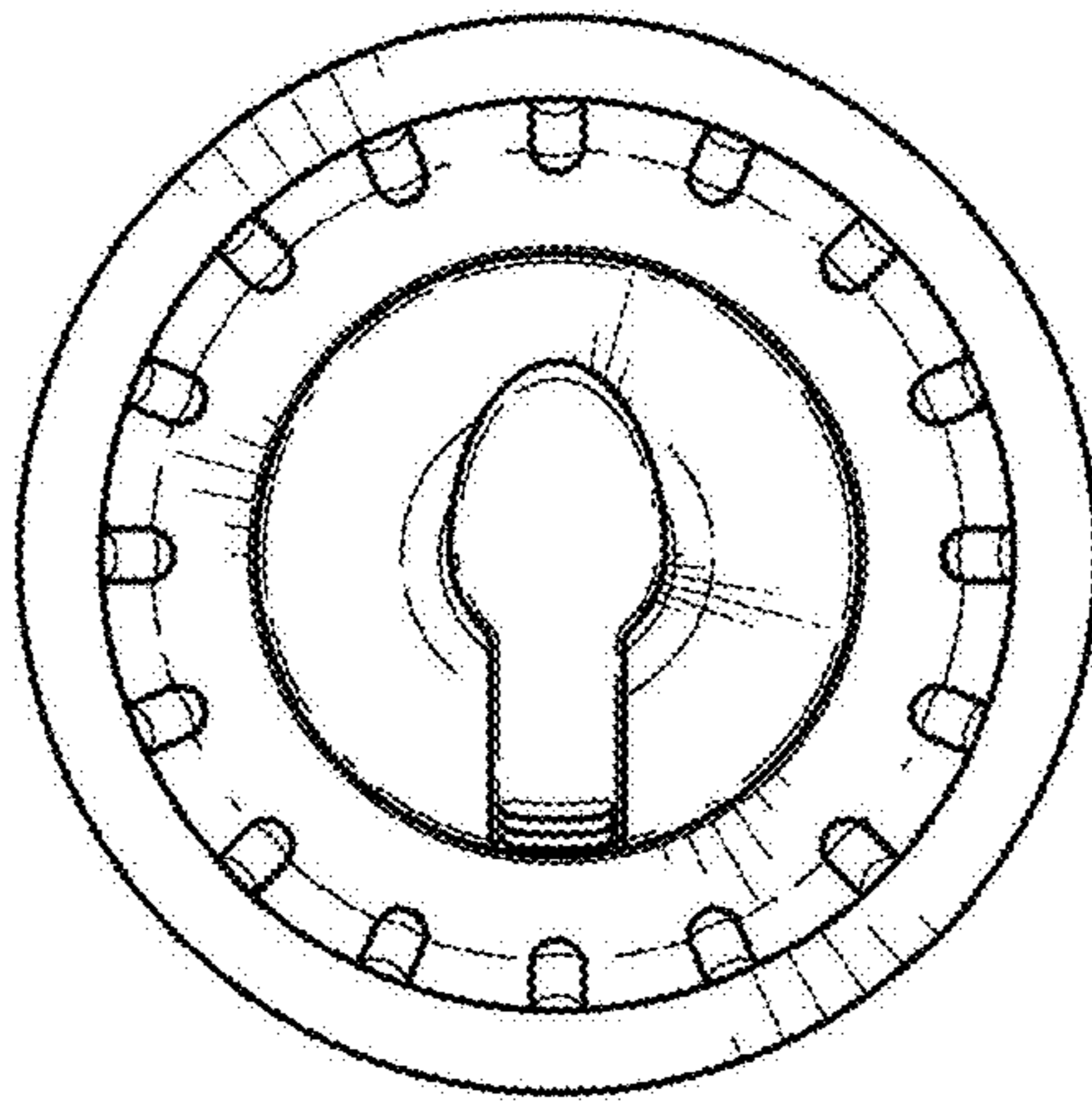


FIG. 10