



US00D859155S

(12) **United States Design Patent** (10) **Patent No.:** **US D859,155 S**
Reiley et al. (45) **Date of Patent:** **** Sep. 10, 2019**

(54) **LID**
(71) Applicants: **Nadiyah Reiley**, La Jolla, CA (US);
Adrian Reiley, La Jolla, CA (US)
(72) Inventors: **Nadiyah Reiley**, La Jolla, CA (US);
Adrian Reiley, La Jolla, CA (US)
(**) Term: **15 Years**
(21) Appl. No.: **29/631,054**
(22) Filed: **Dec. 27, 2017**
(51) **LOC (12) Cl.** **09-07**
(52) **U.S. Cl.**
USPC **D9/449**; D34/39
(58) **Field of Classification Search**
USPC D9/428, 429, 432, 434, 435, 436, 439,
D9/440, 443, 444, 445, 447, 449-455,
D9/499, 500, 503, 504, 705; D7/317,
D7/387, 391, 392, 392.1, 393, 396.1,
D7/396.2, 509-511, 538, 900; D3/202,
D3/203.2, 294, 302, 318; D28/91;
D34/39; D32/53, 54
CPC .. A61J 1/00; A61J 1/1412; B65D 1/00; B65D
1/02; B65D 1/10; B65D 1/46; B65D
2585/56; B65D 2585/545; B65D 41/00;
B65D 41/38; B65D 41/56; B65D 41/62;
B65D 47/00; B65D 47/06; B65D 47/08;
B65D 2543/00046; B65D 2543/00092;
B65D 2543/00296; B65D 5/46; B65D
2251/00
See application file for complete search history.

(56) **References Cited**
U.S. PATENT DOCUMENTS
D101,166 S * 9/1936 Forsberg D9/454
3,417,897 A * 12/1968 Johnson B65D 43/161
220/254.3
D214,360 S * 6/1969 Huber D34/39
D382,203 S * 8/1997 Fonville D7/900

D385,791 S * 11/1997 Forsyth D9/440
5,947,323 A * 9/1999 Freek B65D 43/0256
220/254.3
D420,849 S * 2/2000 Jarvis D7/391
D422,394 S * 4/2000 Scott D34/39
D431,458 S * 10/2000 Bried D3/203.2
D448,296 S * 9/2001 Bried D9/449
D467,049 S * 12/2002 Kohn D32/53.1
D535,877 S * 1/2007 Tanninen D9/438
D537,341 S * 2/2007 Liebe D9/447
D543,004 S * 5/2007 Pomilia D34/39
D555,325 S * 11/2007 Roberts D34/11
D642,915 S * 8/2011 Swingle D9/440
D664,320 S * 7/2012 Sakko D32/54
D673,047 S * 12/2012 Stamper D9/453

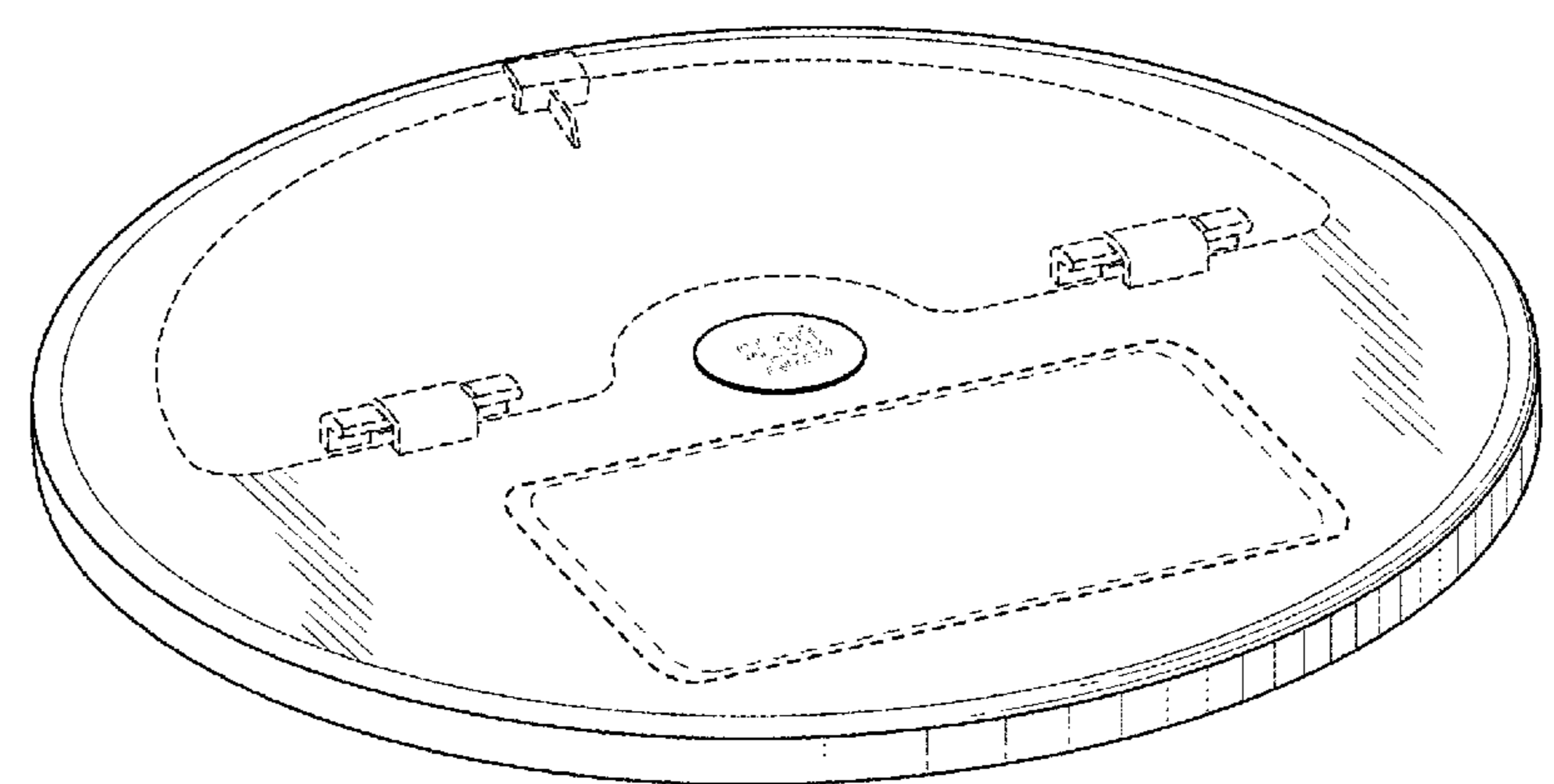
(Continued)

Primary Examiner — Michael A. Pratt
Assistant Examiner — Wendy L Arminio
(74) *Attorney, Agent, or Firm* — Buche & Associates,
P.C.; John K. Buche; Bryce A. Johnson

(57) **CLAIM**
We claim the ornamental design for a lid, shown and described.

DESCRIPTION
FIG. 1 is a perspective view of the lid;
FIG. 2 is a top view of the lid of FIG. 1;
FIG. 3 is a bottom view of the lid of FIG. 1;
FIG. 4 is a left side view of the lid of FIG. 1;
FIG. 5 is a right side view of the lid of FIG. 1;
FIG. 6 is a front view of the lid of FIG. 1;
FIG. 7 is a back view of the lid of FIG. 1; and,
FIG. 8 is a perspective view of the lid of FIG. 1 shown in a position of use on an unclaimed container drum drawn in broken lines.
The broken lines in FIG. 8 illustrating a container drum depict environment and form no part of the claimed design. All other broken lines depict portions of the lid that form no part of the claimed design.

1 Claim, 5 Drawing Sheets



(56)

References Cited

U.S. PATENT DOCUMENTS

8,528,776	B2 *	9/2013	Treacy	B44D 3/123 211/DIG. 1
D692,720	S *	11/2013	Audette	D7/392
D713,248	S *	9/2014	Kotyuk	D9/454
D731,313	S *	6/2015	Kotyuk	D9/436
D784,811	S *	4/2017	Scevola	D7/387
D794,456	S *	8/2017	Rockwell	D9/434
D821,807	S *	7/2018	Yap	D7/391
2004/0089157	A1 *	5/2004	von Stackelberg, Jr.	A47L 5/365 96/406

* cited by examiner

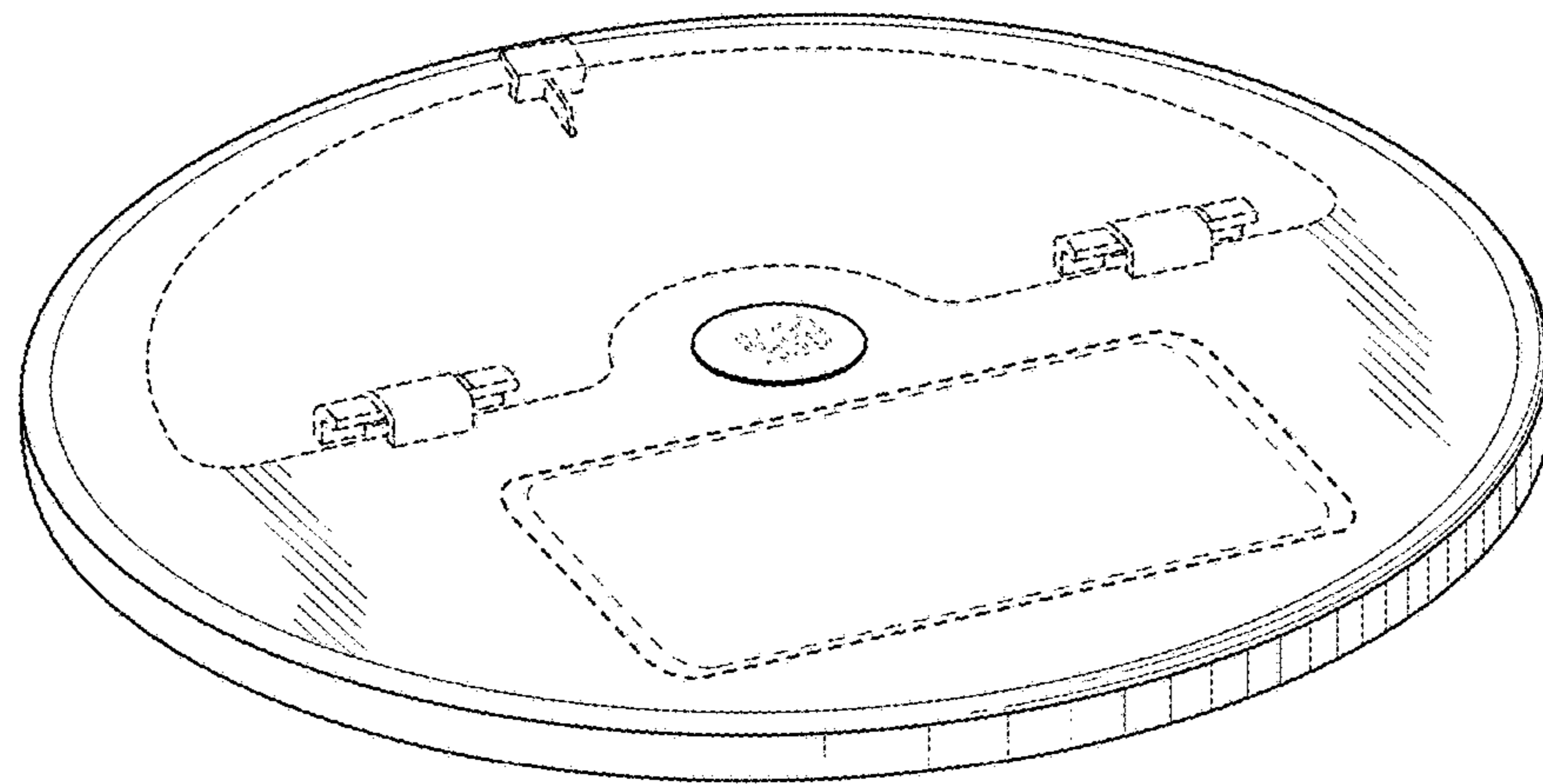


FIG. 1

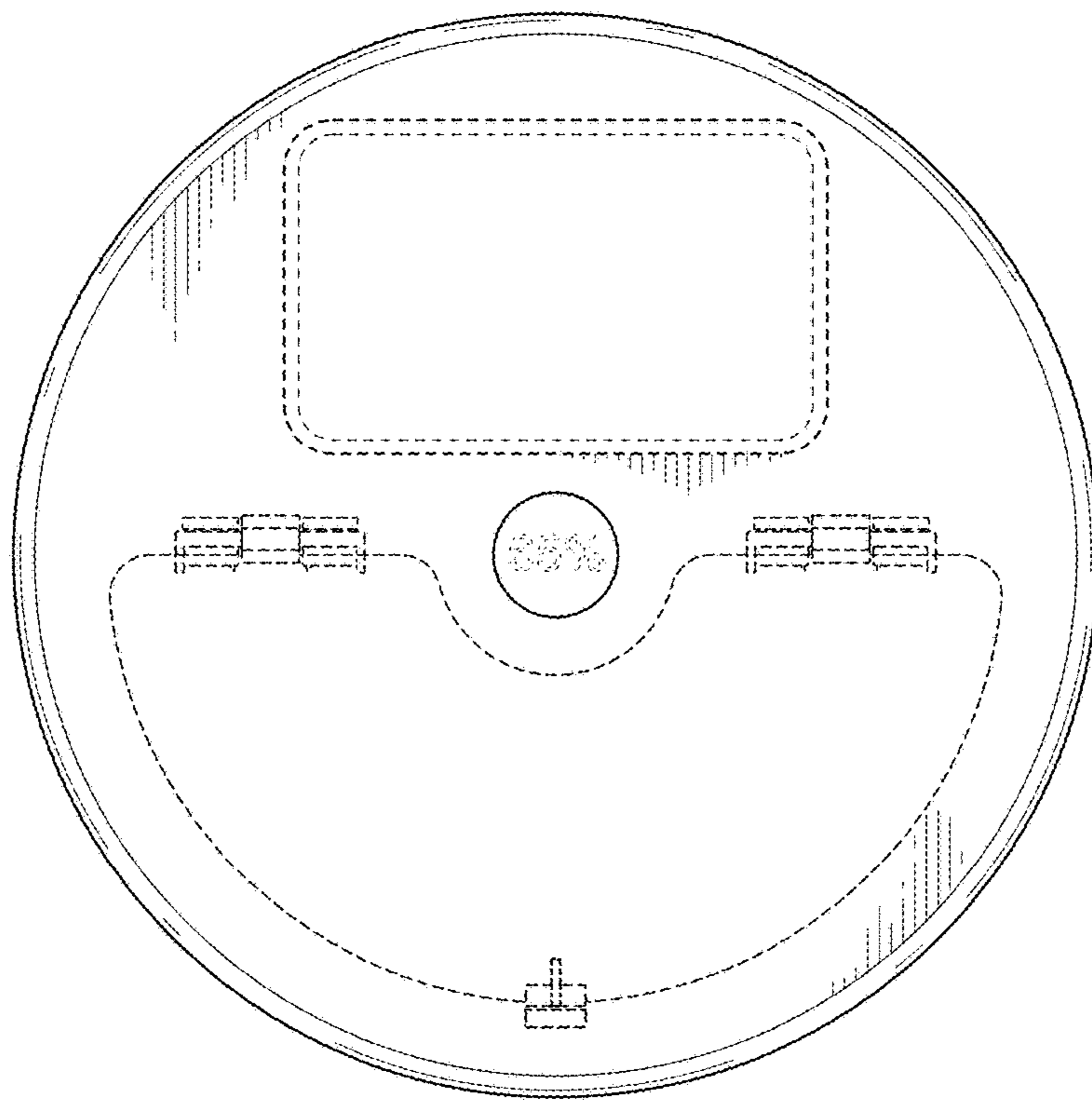


FIG. 2

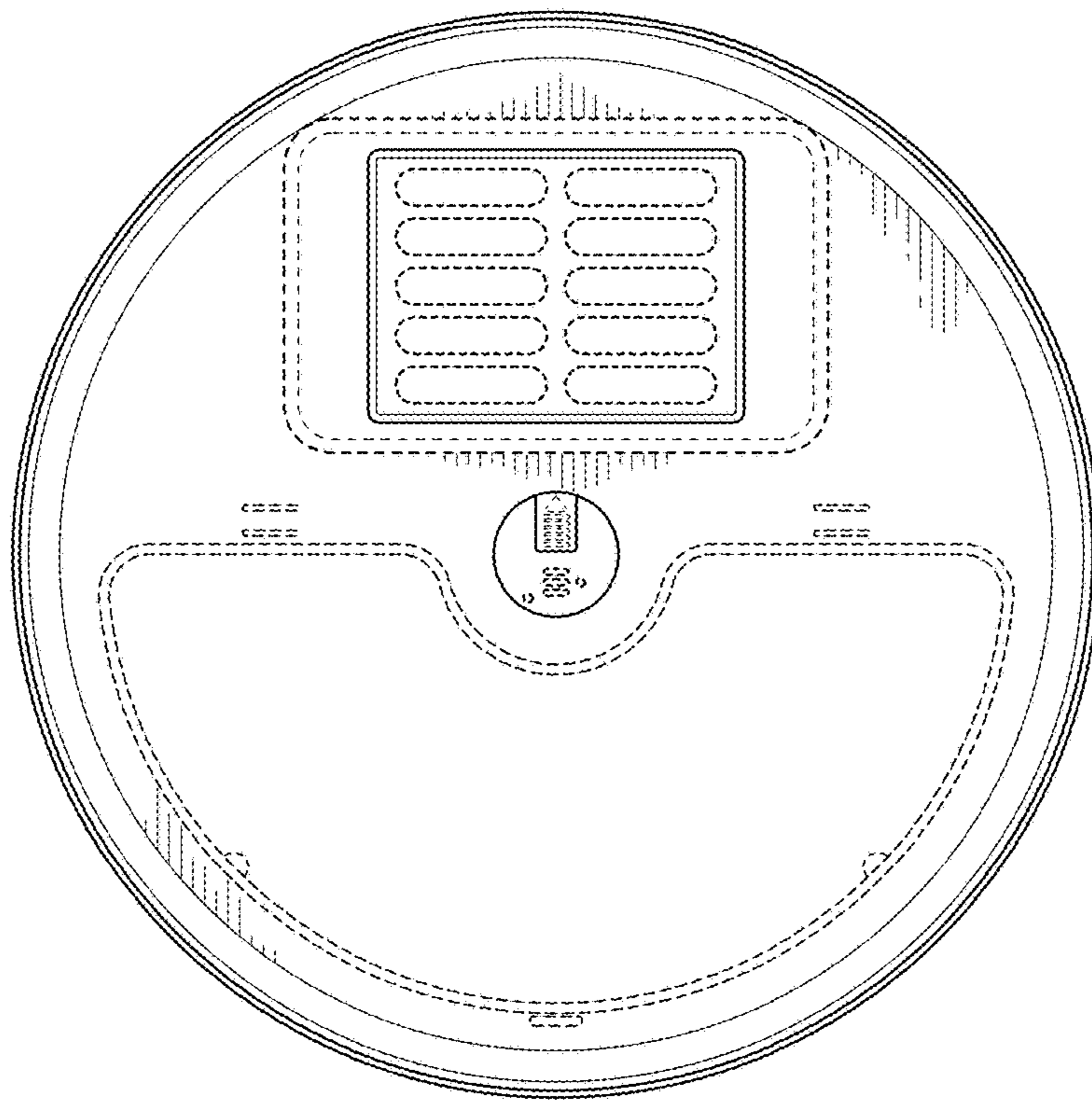


FIG. 3

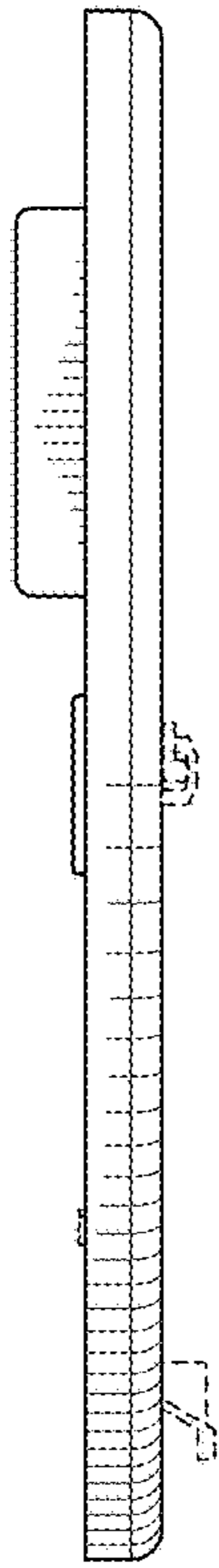


FIG. 4

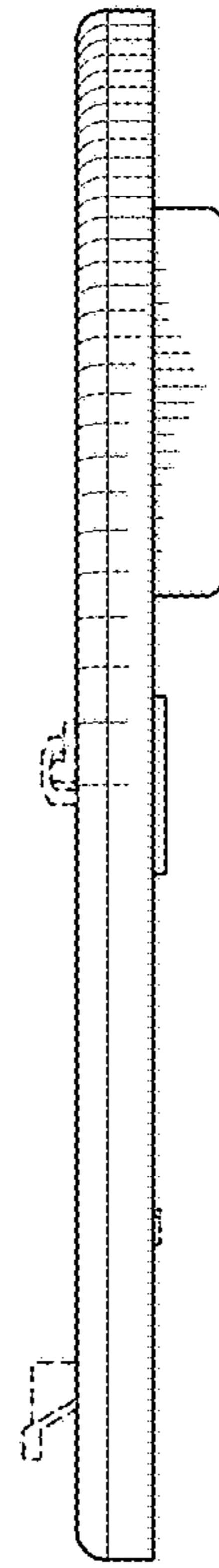


FIG. 5

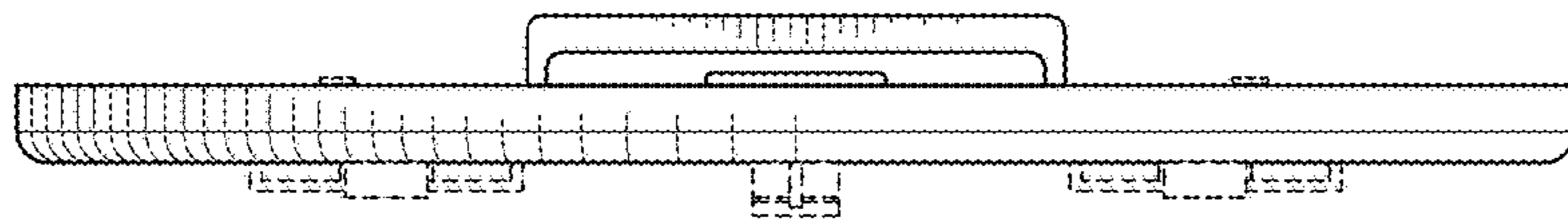


FIG. 6

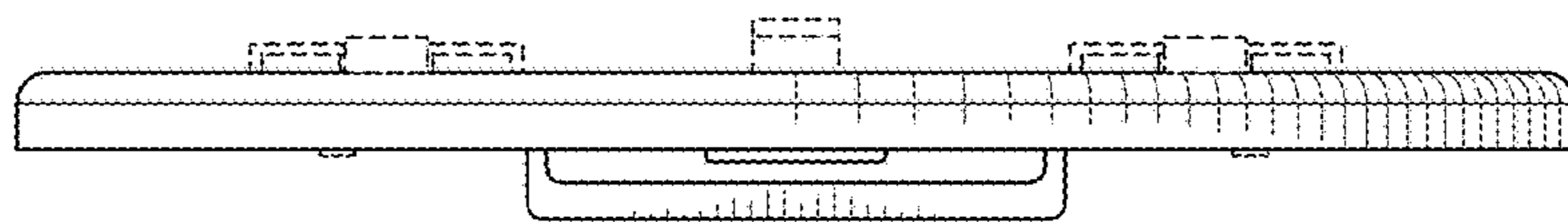


FIG. 7

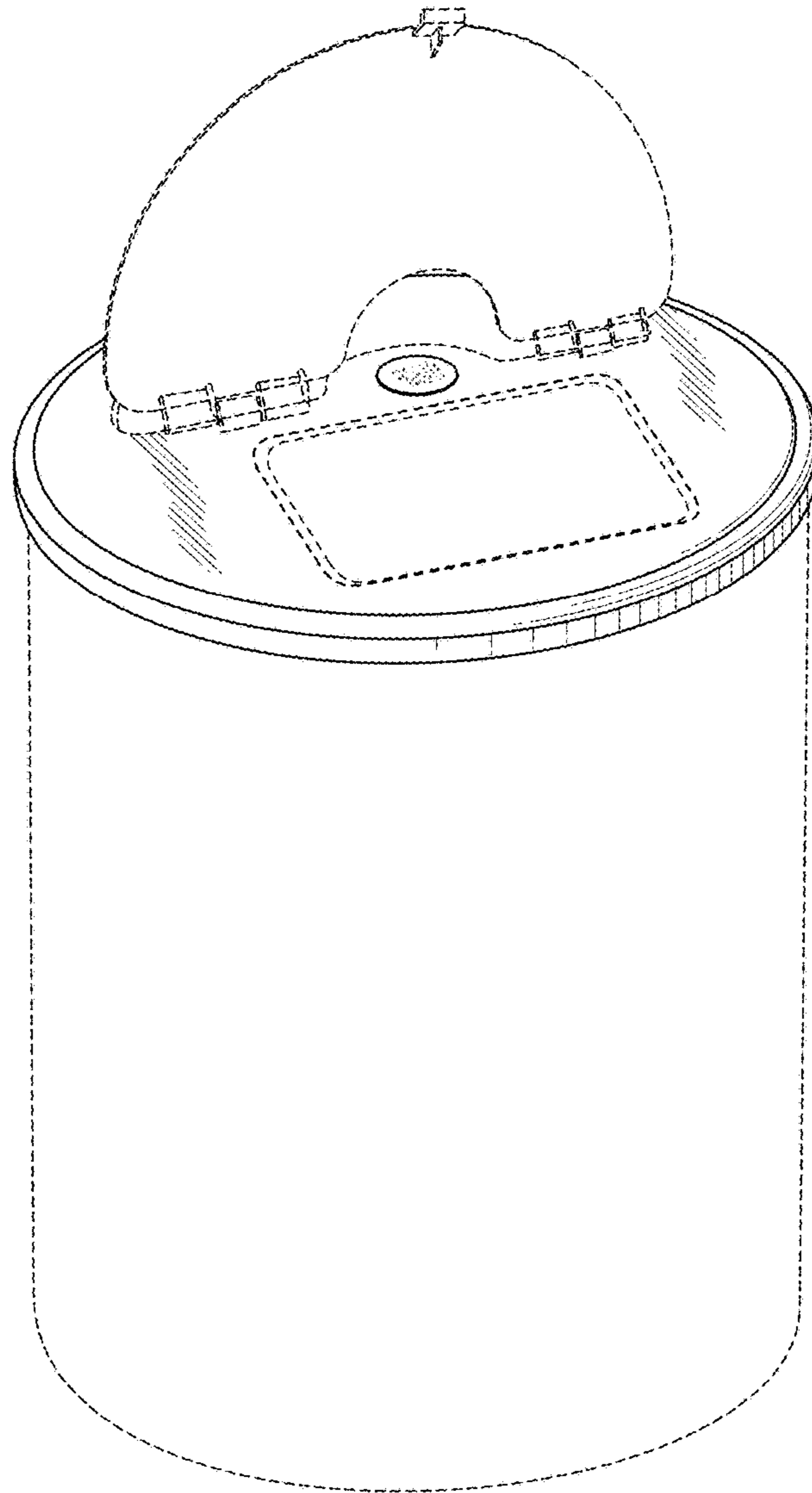


FIG. 8