



US00D859154S

(12) **United States Design Patent**
Skillin

(10) **Patent No.:** **US D859,154 S**

(45) **Date of Patent:** **** Sep. 10, 2019**

(54) **TAMPER EVIDENT DISPENSING CLOSURE**

(71) Applicant: **SILGAN DISPENSING SYSTEMS
SLATERSVILLE LLC**, Slatersville, RI
(US)

(72) Inventor: **Clifford W. Skillin**, Blackstone, MA
(US)

(73) Assignee: **Silgan Dispensing Systems Slatersville
LLC**, Slatersville, RI (US)

(**) Term: **15 Years**

(21) Appl. No.: **29/577,310**

(22) Filed: **Sep. 12, 2016**

(51) **LOC (12) Cl.** **09-07**

(52) **U.S. Cl.**
USPC **D9/449**

(58) **Field of Classification Search**
USPC D9/417, 434, 435, 443-450, 452, 453,
D9/455, 499, 682-685; D7/387, 392,
D7/392.1, 393, 396, 396.1, 398, 401.1,
D7/507, 538; D3/202, 318; D28/91.1;
D23/213, 223, 225, 226
CPC .. A61J 1/00; A61J 1/1412; B65D 1/00; B65D
1/02; B65D 1/10; B65D 1/46; B65D
2585/56; B65D 2585/545; B65D 41/00;
B65D 41/38; B65D 41/56; B65D 41/62;
B65D 47/00; B65D 47/06; B65D 47/08;
B65D 2543/00046; B65D 2543/00092;
B65D 2543/00296; B65D 5/46; B65D
2251/00

See application file for complete search history.

(56) **References Cited**

U.S. PATENT DOCUMENTS

D265,060 S * 6/1982 Blank D9/446
D306,265 S * 2/1990 Leebeek D9/435
5,141,138 A * 8/1992 Odet B65D 47/0814
215/235

D350,482 S * 9/1994 Hu D9/445
D362,186 S * 9/1995 Thanisch D9/446
D367,424 S * 2/1996 Thanisch D9/446
D399,744 S * 10/1998 Gross D9/447
D519,029 S * 4/2006 Hicks D9/453
D530,611 S * 10/2006 Nusbaum D9/449
D537,342 S * 2/2007 Smith D9/435
D538,161 S * 3/2007 Smith D9/435
D578,000 S * 10/2008 Zoppas D9/453
D585,278 S * 1/2009 Wilson D9/449

(Continued)

Primary Examiner — Michael A. Pratt

Assistant Examiner — Wendy L. Arminio

(74) *Attorney, Agent, or Firm* — Barlow, Josephs &
Holmes, Ltd.

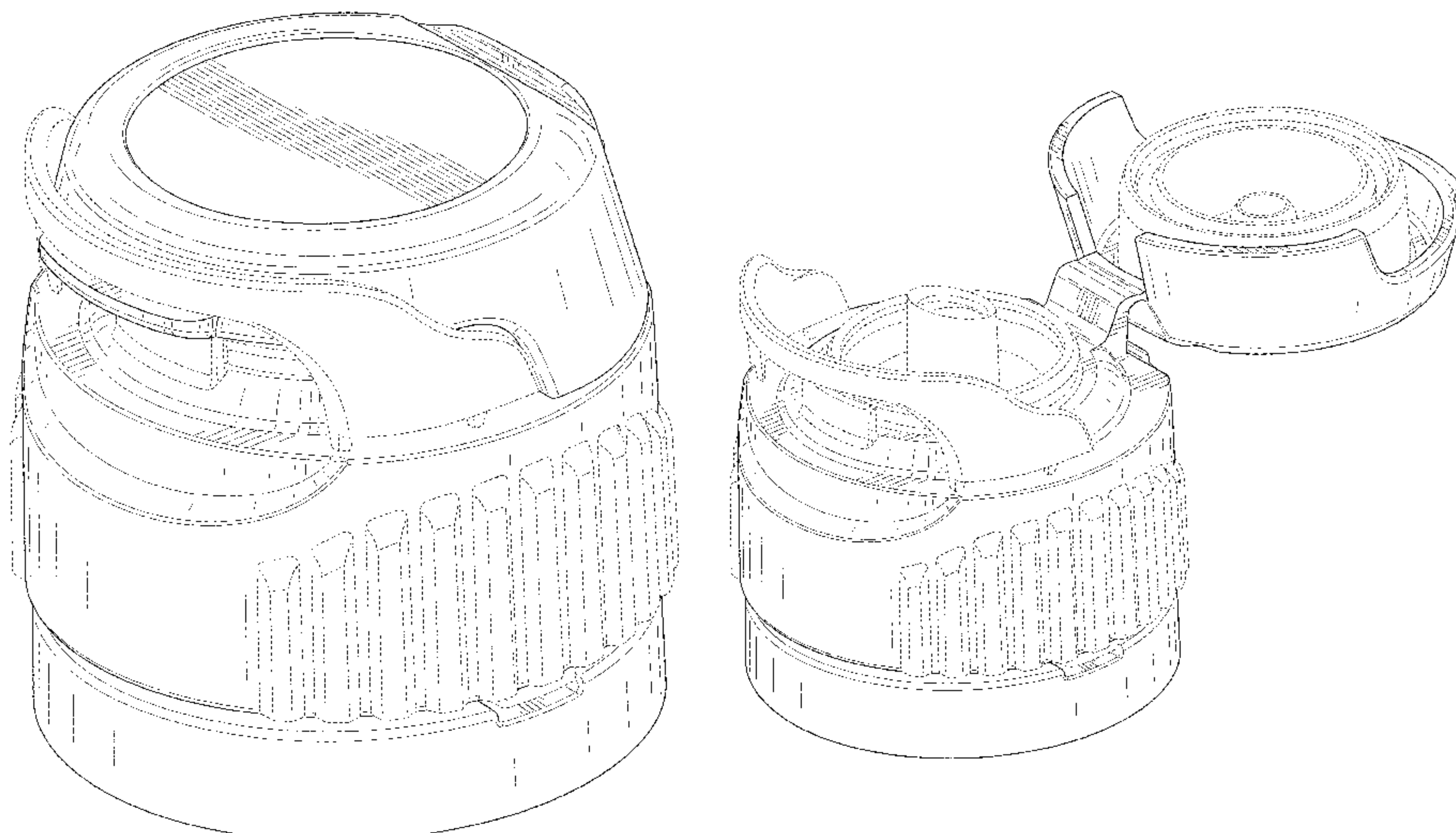
(57) **CLAIM**

The ornamental design for a tamper evident dispensing
closure, as shown and described.

DESCRIPTION

FIG. 1 is a first perspective view of the tamper evident
dispensing closure in accordance with the present design;
FIG. 2 is a front view thereof;
FIG. 3 is a back view thereof;
FIG. 4 is a left side view thereof;
FIG. 5 is a right side view thereof;
FIG. 6 is a top view thereof;
FIG. 7 is a bottom view thereof;
FIG. 8 is perspective view thereof in an open position;
FIG. 9 is a front view thereof in an open position;
FIG. 10 is a back view thereof in an open position;
FIG. 11 is a left side view thereof in an open position;
FIG. 12 is a right side view thereof in an open position;
FIG. 13 is a top view thereof in an open position; and,
FIG. 14 is a bottom view thereof in an open position.
The broken lines depict portions of the tamper evident
dispensing closure that form no part of the claimed inven-
tion.

1 Claim, 14 Drawing Sheets



(56)

References Cited

U.S. PATENT DOCUMENTS

D585,741	S *	2/2009	Wilson	D9/449
D585,742	S *	2/2009	Wilson	D9/449
D592,057	S *	5/2009	Guerin	D9/449
D598,752	S *	8/2009	Wilson	D9/449
D630,093	S *	1/2011	Bardet	D9/438
D640,134	S *	6/2011	Rognard	D9/447
D672,650	S *	12/2012	Wisniewski	D9/443
D672,651	S *	12/2012	Gregory	D9/443
D673,044	S *	12/2012	Wisniewski	D9/443
D681,458	S *	5/2013	Santarelli	D9/443
D686,077	S *	7/2013	Stull, Sr.	D9/447
D768,490	S *	10/2016	Robinson	D9/449
D775,950	S *	1/2017	Rognard	D9/434
9,884,706	B1 *	2/2018	Skillin	B65D 47/0838
2005/0279727	A1 *	12/2005	Graswald	B65D 47/0804 215/237
2008/0169261	A1 *	7/2008	Druitt	B65D 47/0809 215/237
2009/0134188	A1 *	5/2009	Wilson	B65D 47/0809 222/571
2015/0048124	A1 *	2/2015	Wisniewski	B65D 47/0809 222/478
2015/0090743	A1 *	4/2015	Wisniewski	B65D 47/0804 222/478
2016/0016703	A1 *	1/2016	Muhlemann	B65D 47/0814 222/566
2016/0244219	A1 *	8/2016	Benoit-Gonin	B65D 47/0804
2016/0375452	A1 *	12/2016	Skillin	B05B 11/047 222/207
2017/0050773	A1 *	2/2017	Rognard	B65D 41/3428

* cited by examiner

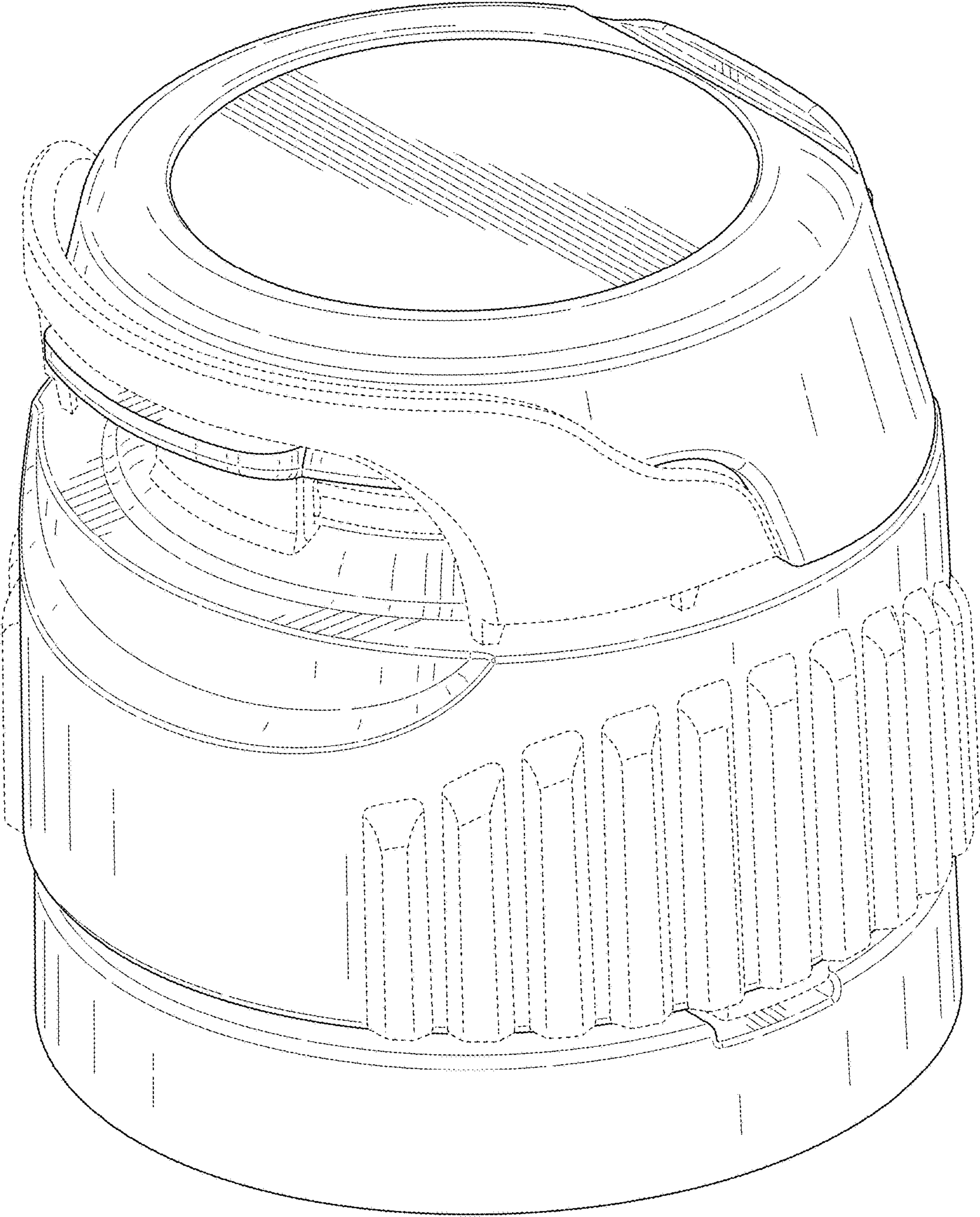


FIG. 1

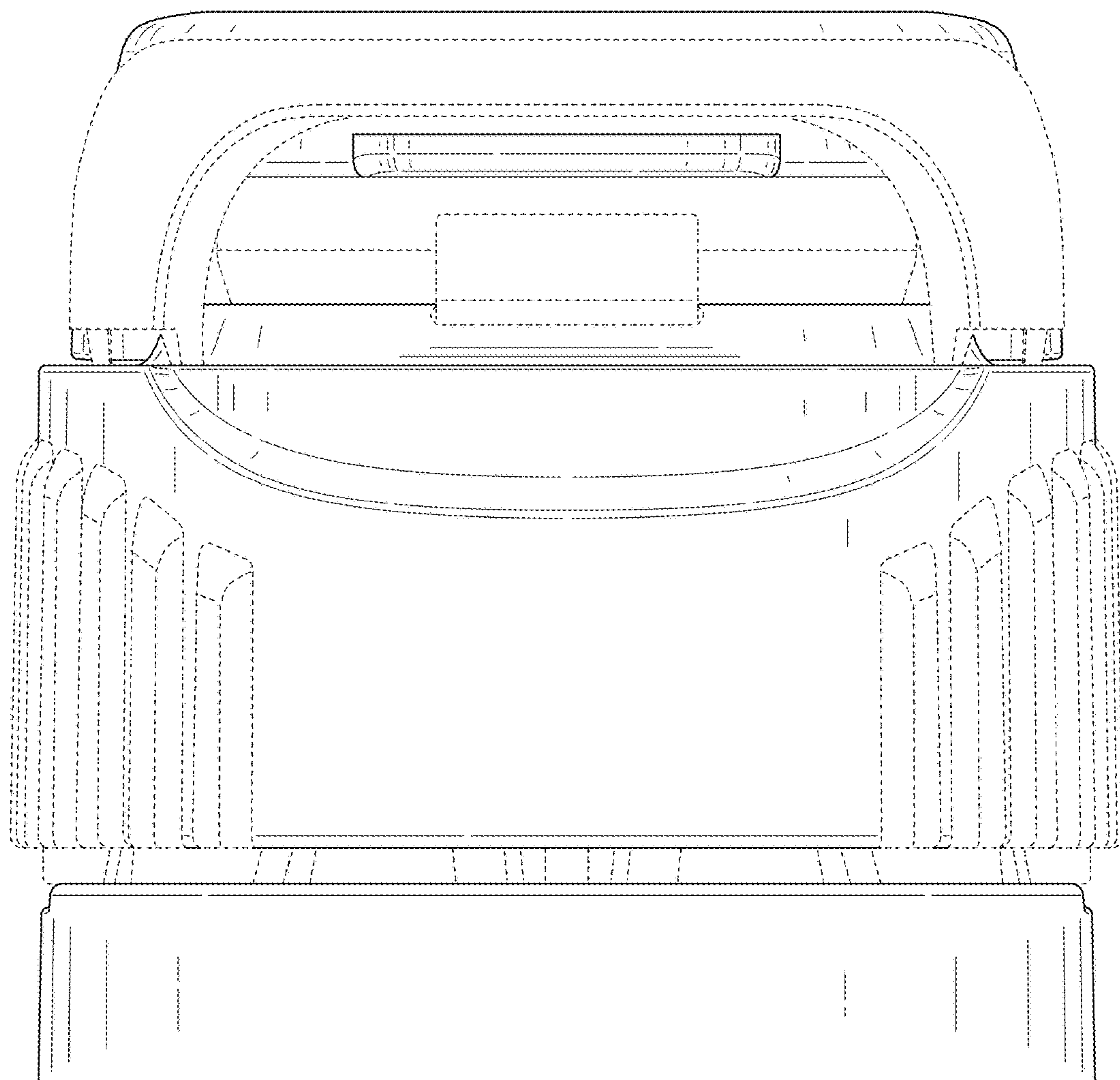


FIG. 2

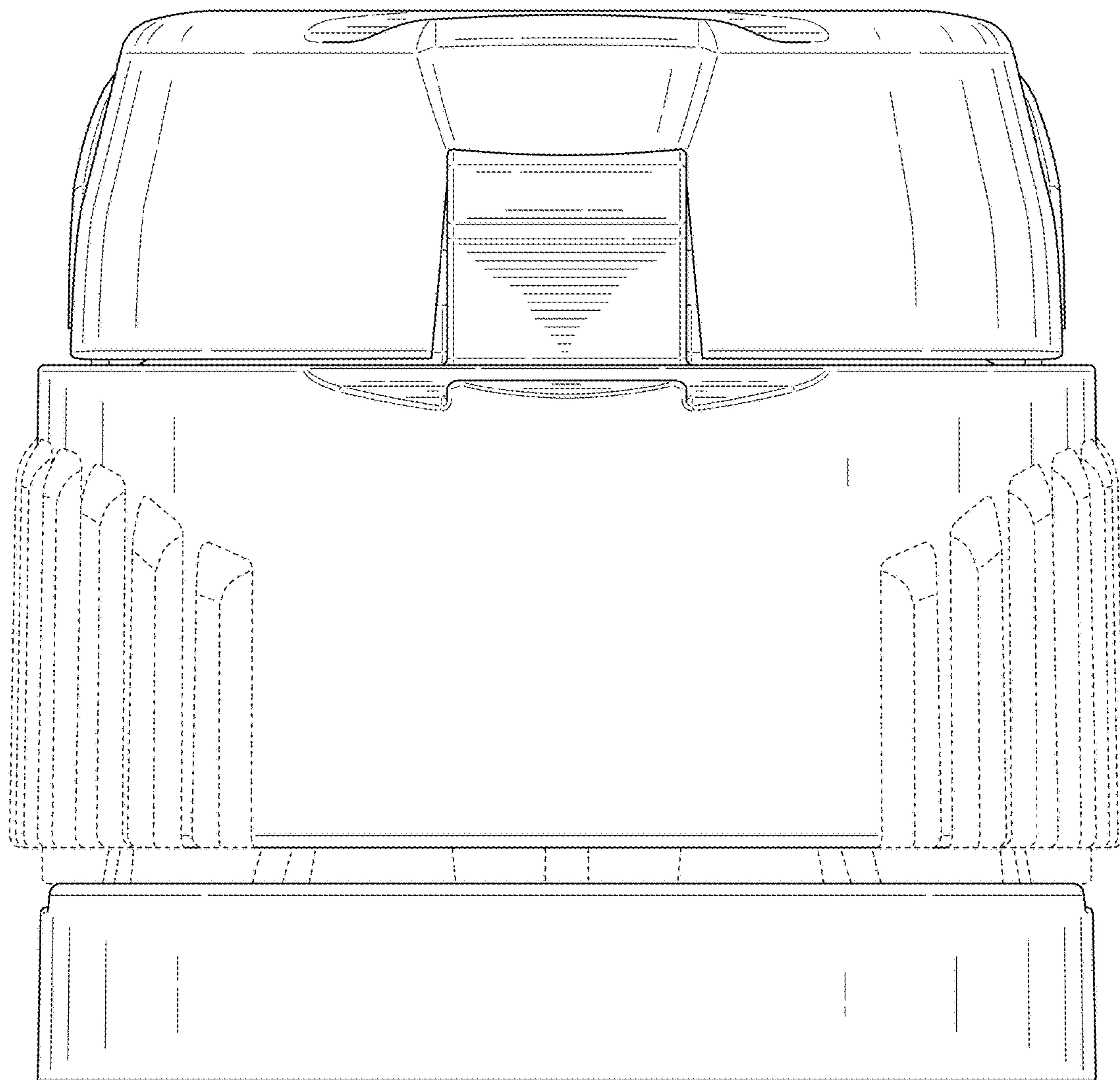


FIG. 3

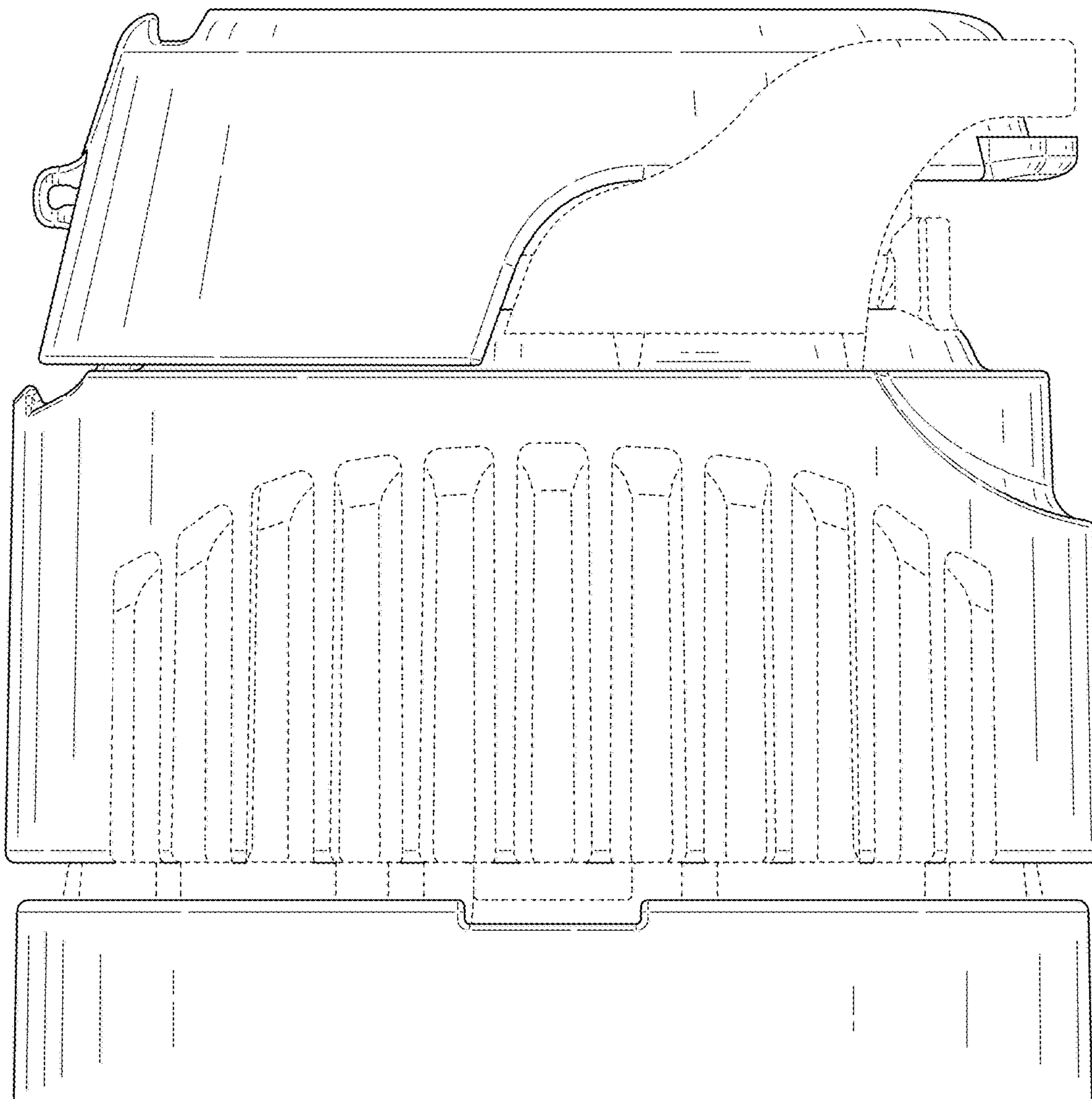


FIG. 4

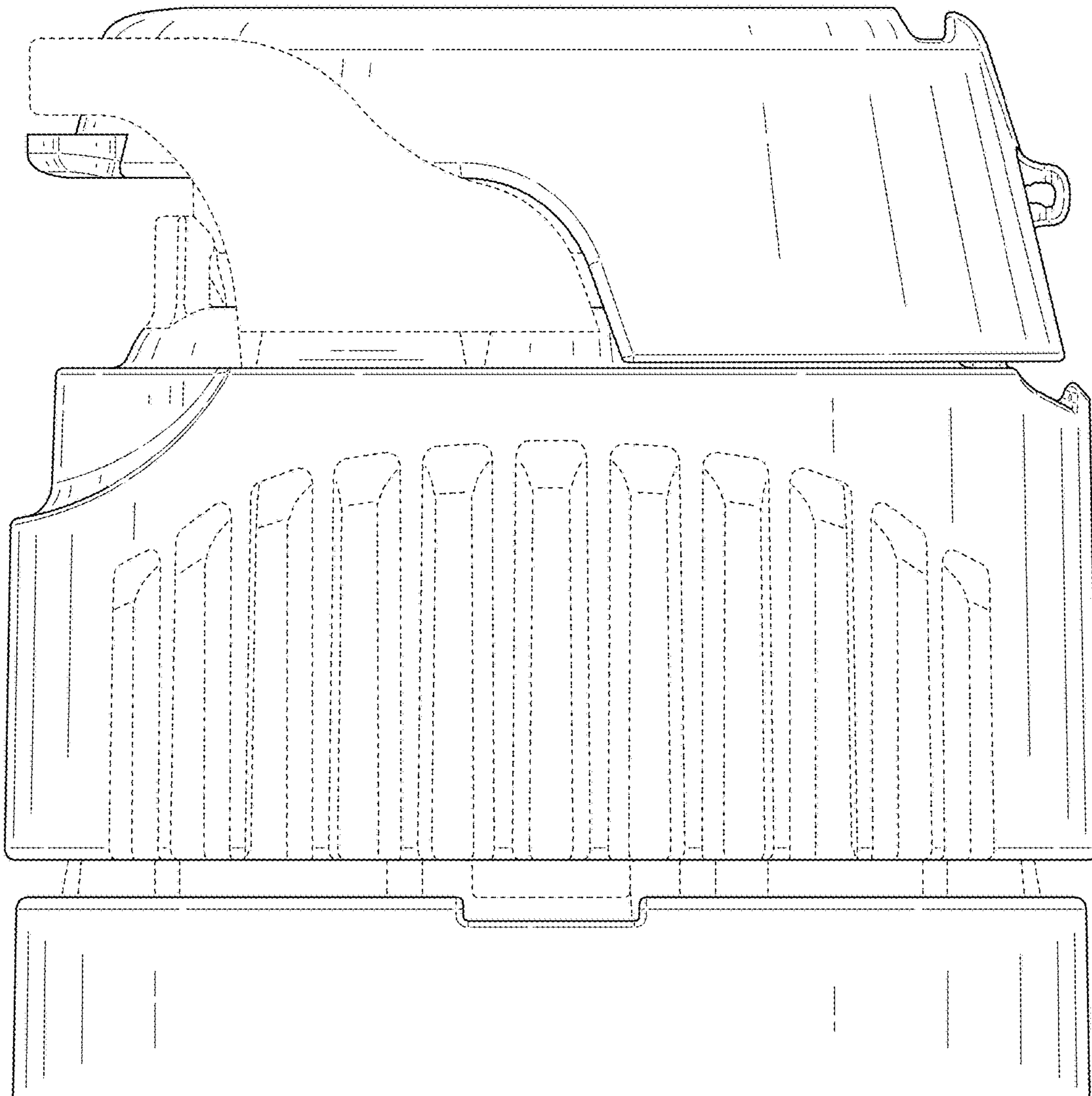


FIG. 5

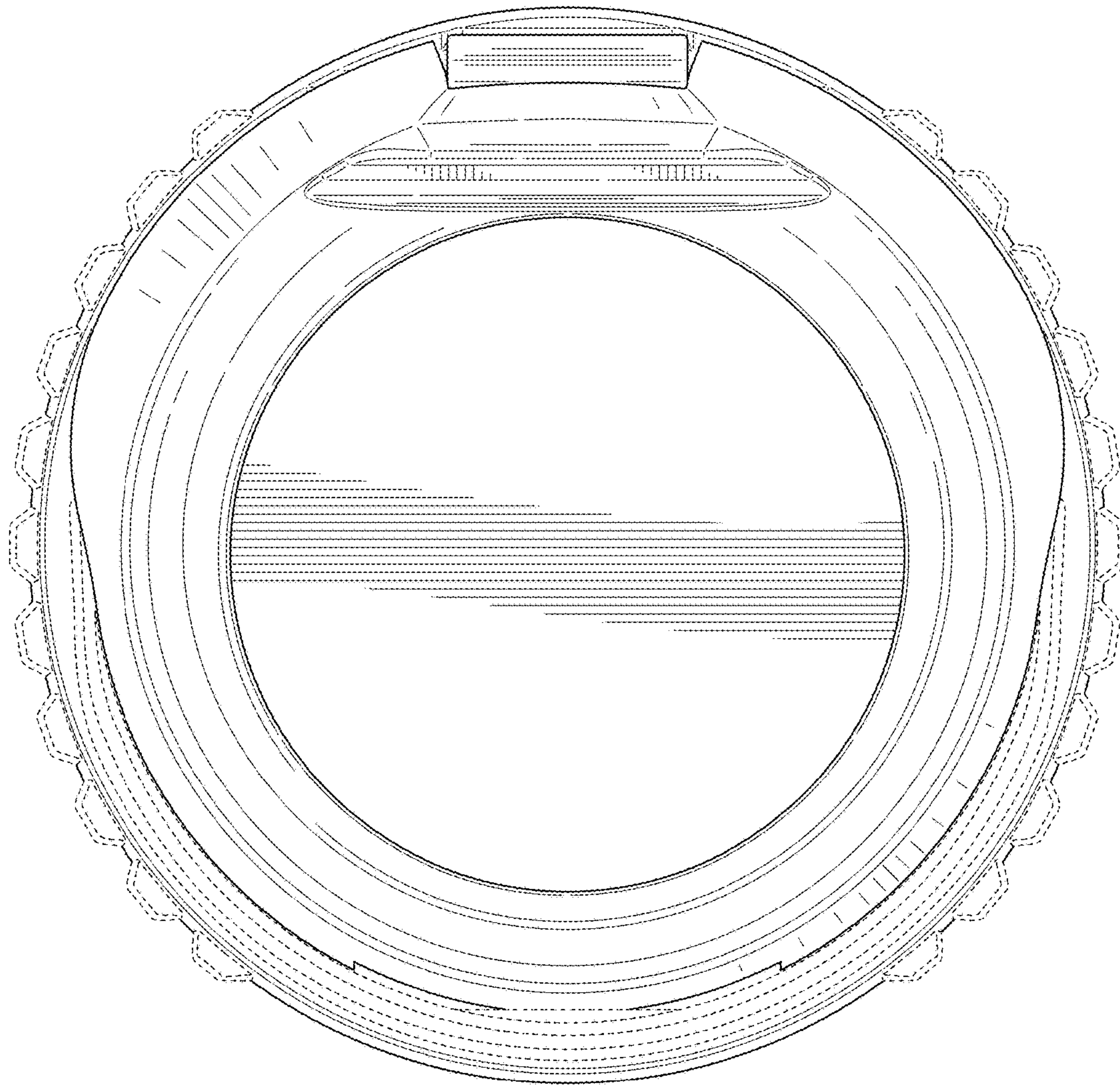


FIG. 6

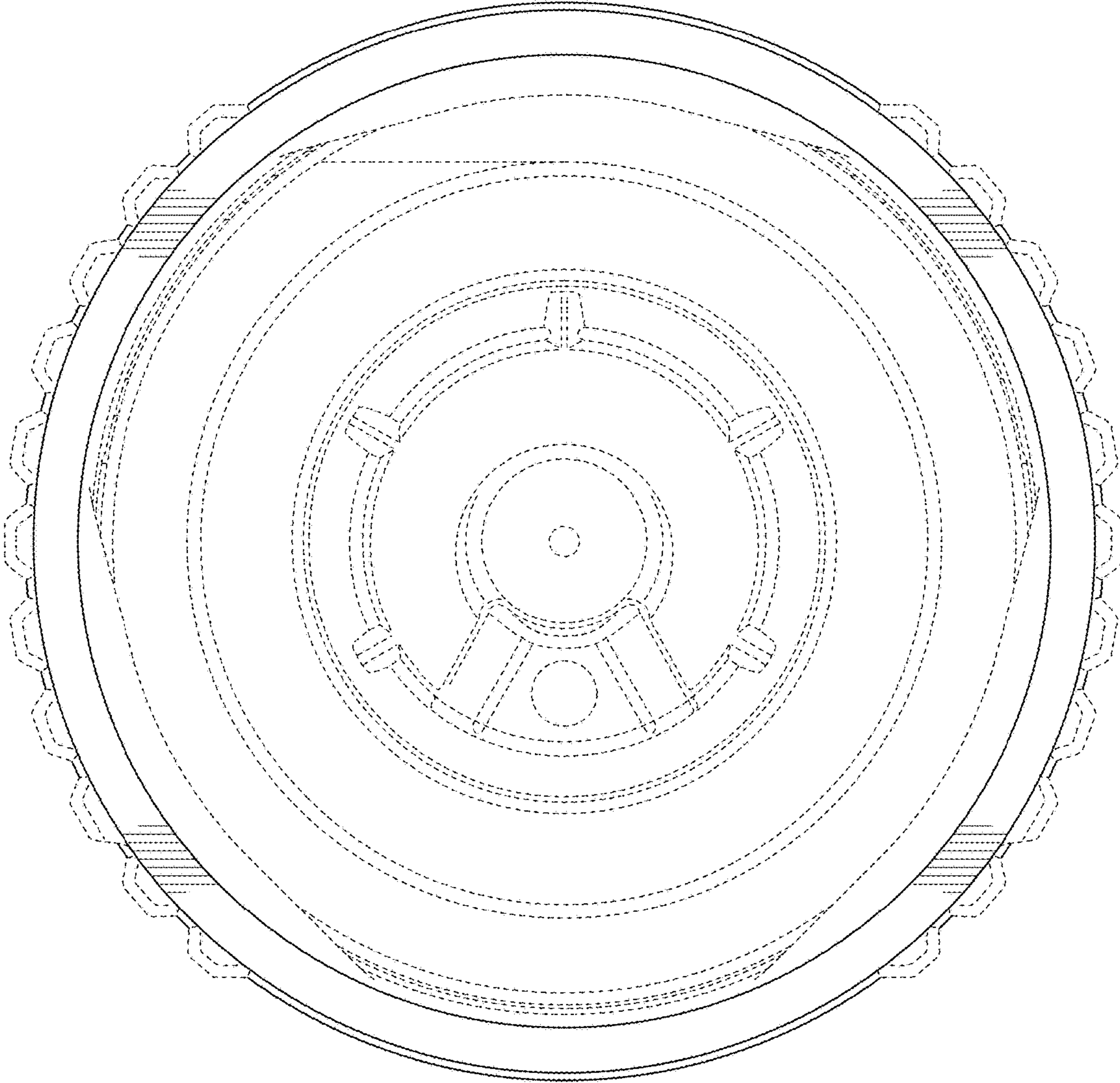


FIG. 7

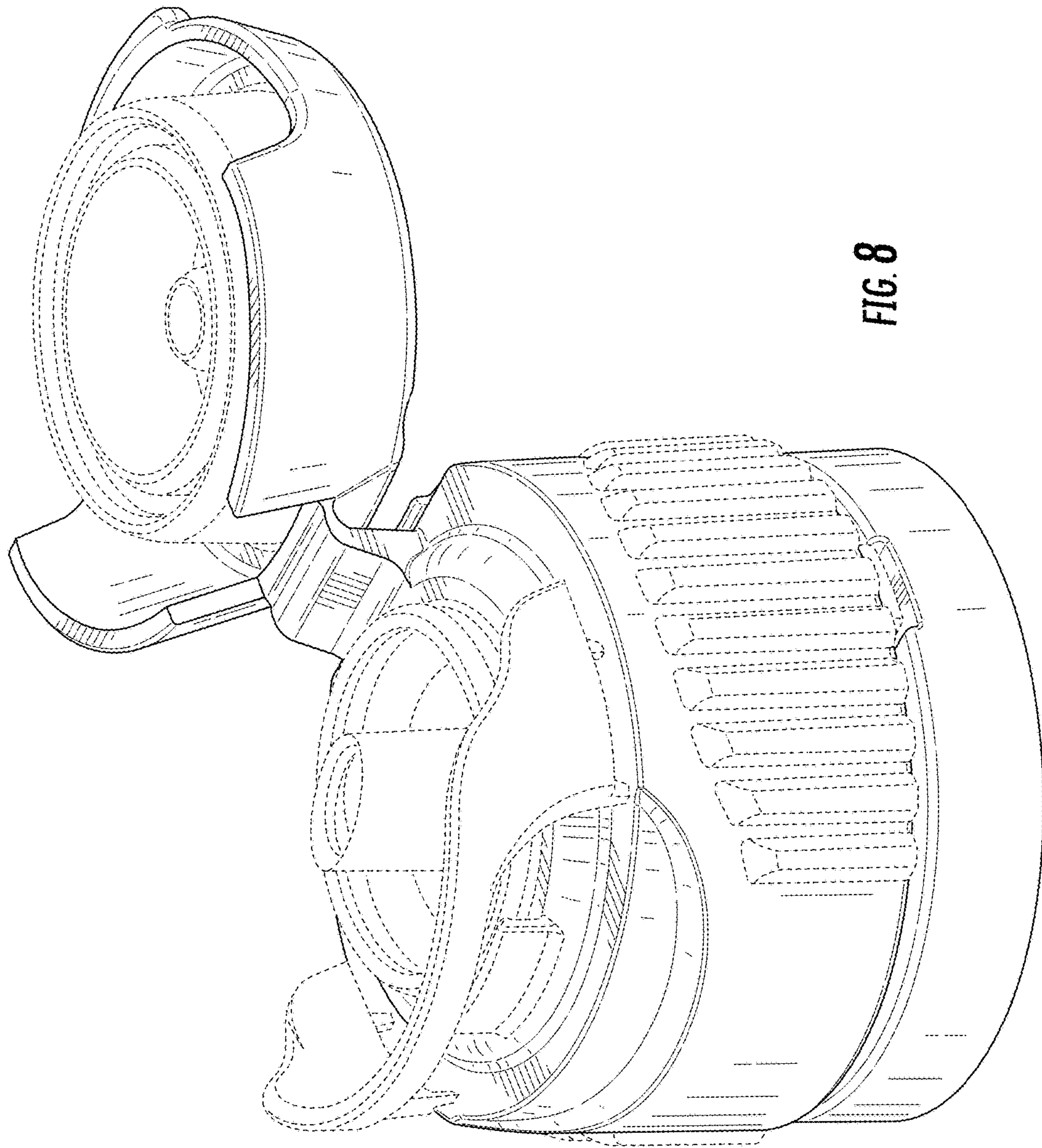


FIG. 8

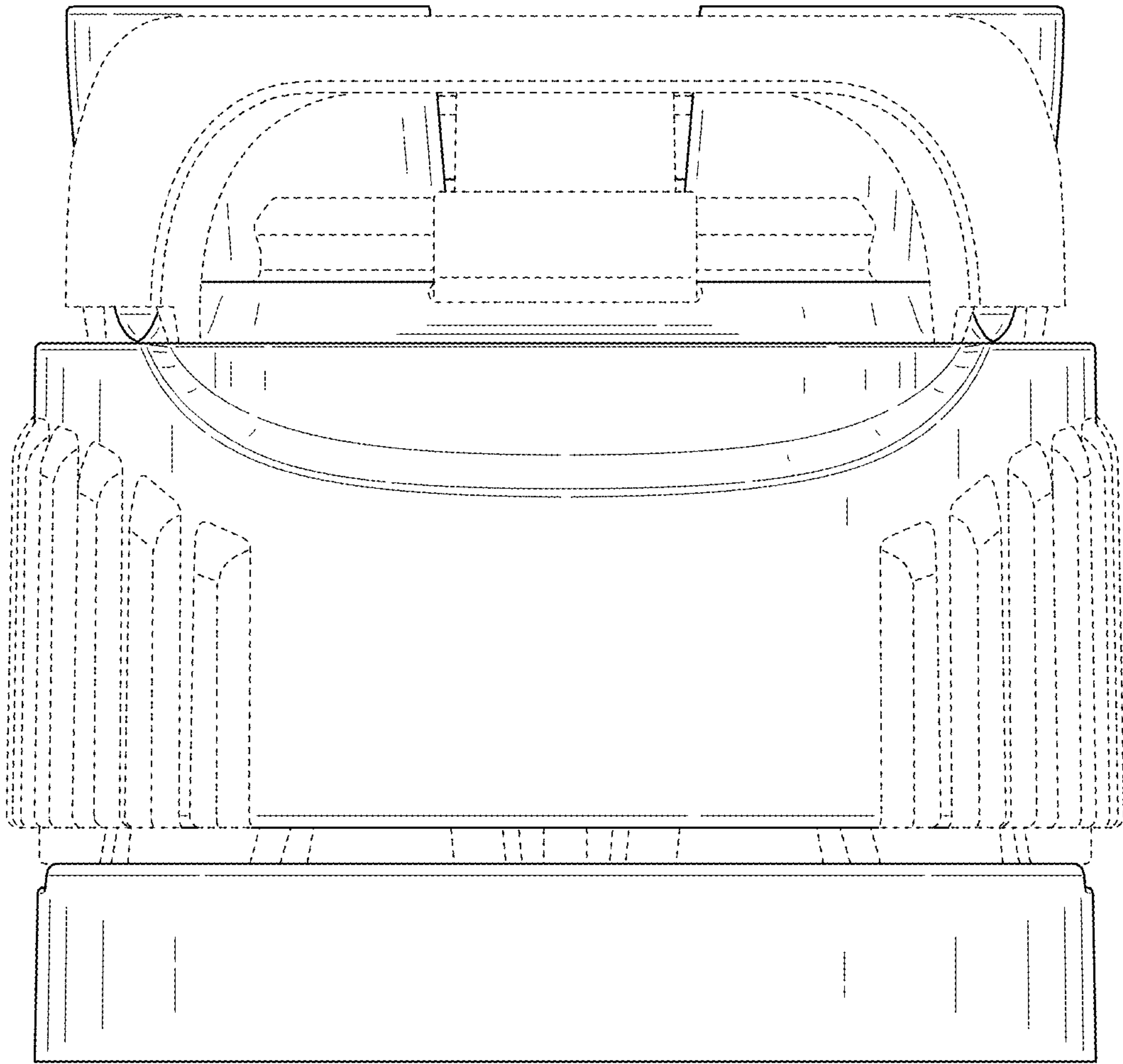


FIG. 9

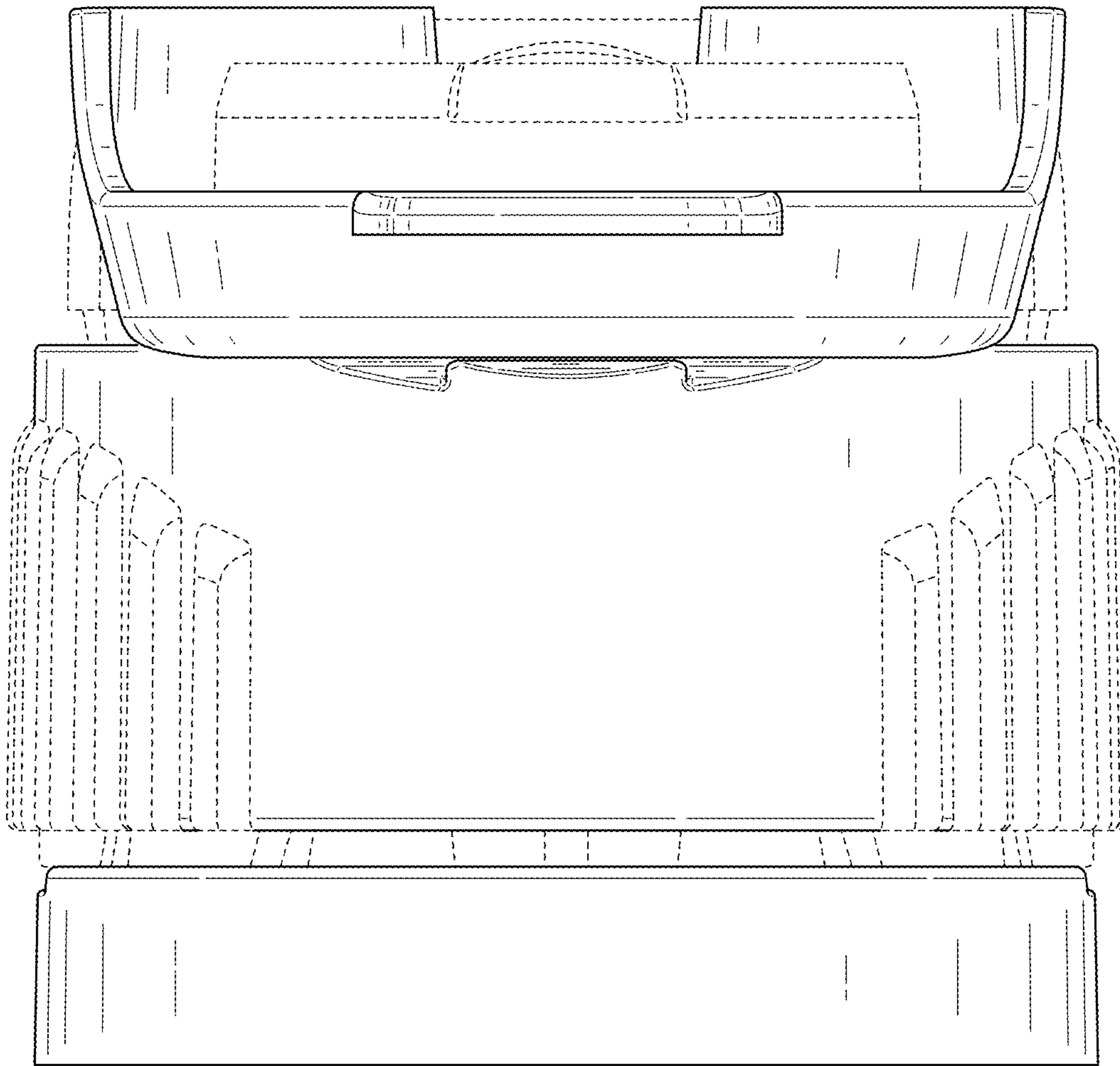


FIG. 10

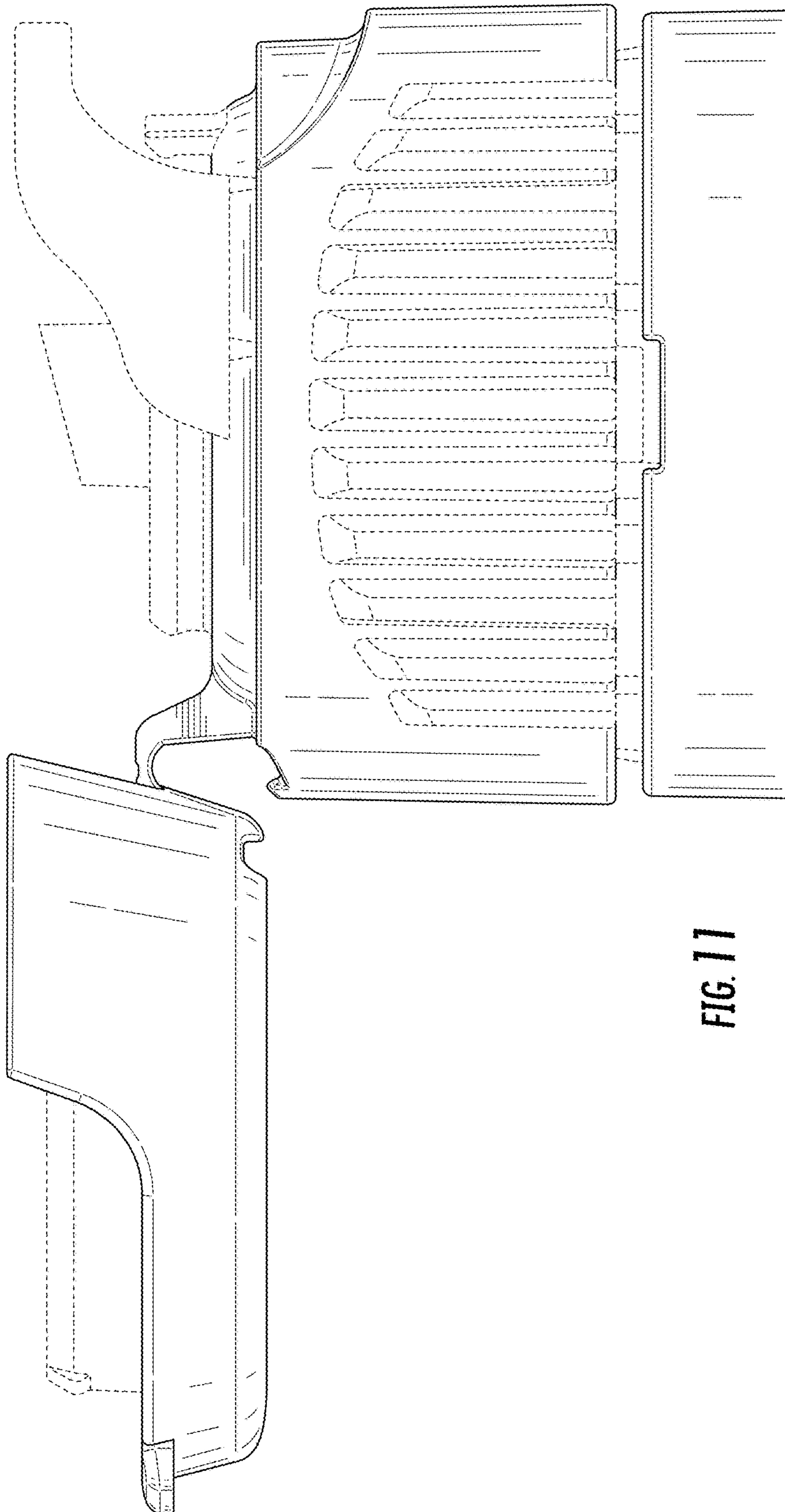


FIG. 11

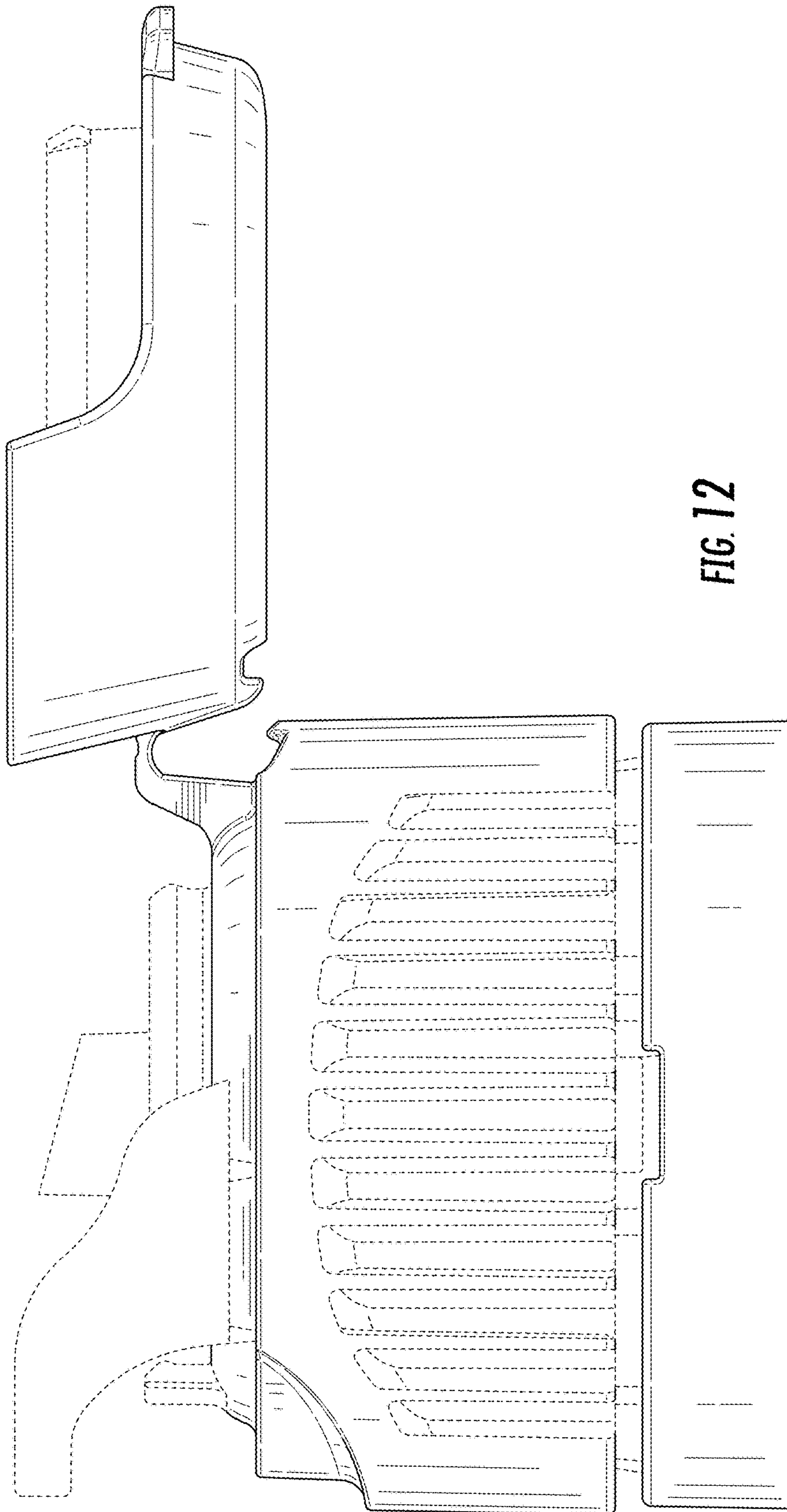


FIG. 12

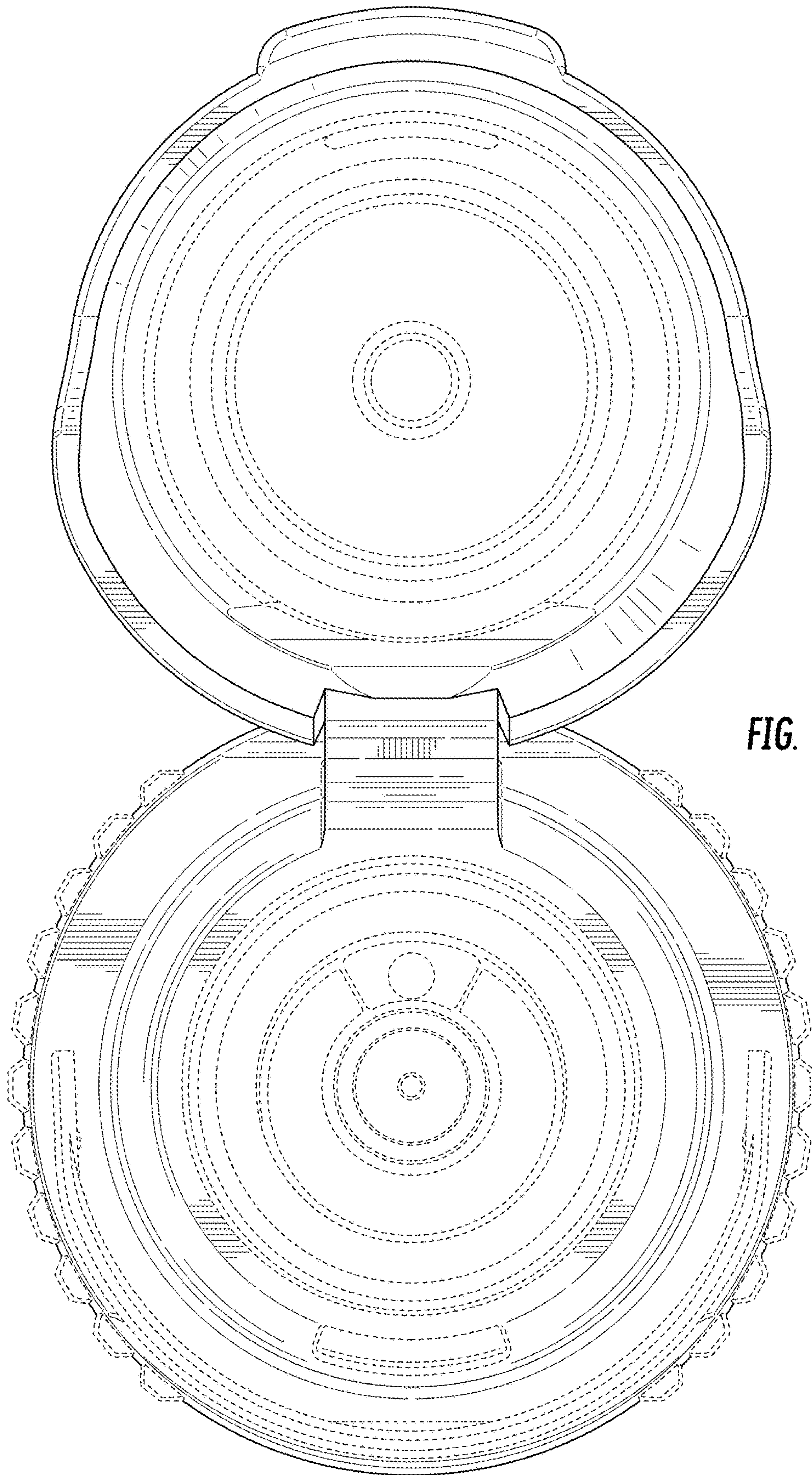


FIG. 13

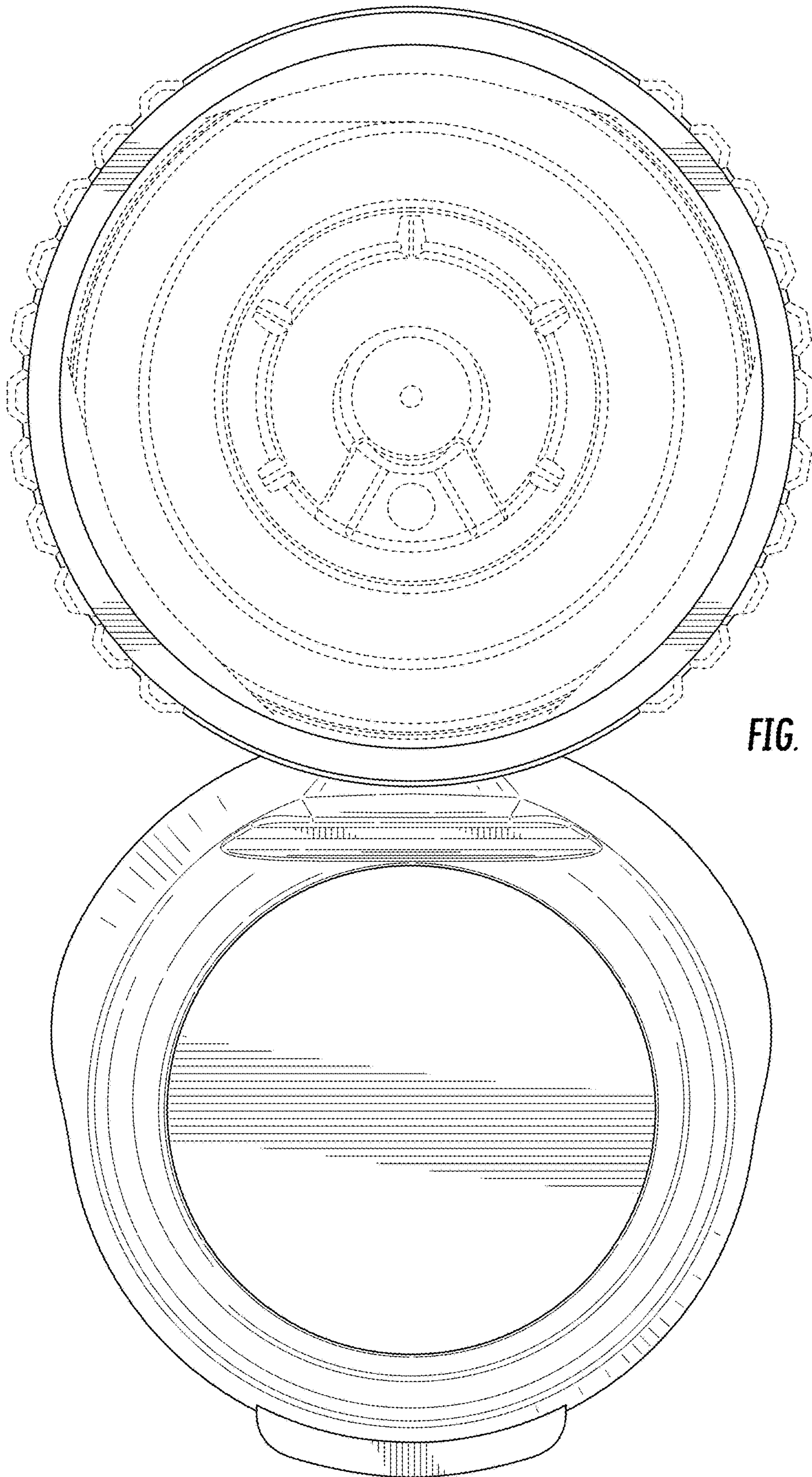


FIG. 14