



US00D859153S

(12) **United States Design Patent** (10) **Patent No.:** **US D859,153 S**
Ramsuer et al. (45) **Date of Patent:** **** Sep. 10, 2019**

(54) **TAMPER EVIDENT DISPENSING CLOSURE**

5,141,138 A * 8/1992 Odet B65D 47/0814
 215/235
 D350,482 S * 9/1994 Hu D9/445
 D362,186 S * 9/1995 Thanisch D9/446
 D367,424 S * 2/1996 Thanisch D9/446
 D399,744 S * 10/1998 Gross D9/447
 D519,029 S * 4/2006 Hicks D9/453
 D530,611 S * 10/2006 Nusbaum D9/449
 D537,342 S * 2/2007 Smith D9/435
 D538,161 S * 3/2007 Smith D9/435
 D578,000 S * 10/2008 Zoppas D9/453

(Continued)

(71) Applicant: **SILGAN DISPENSING SYSTEMS SLATERSVILLE LLC**, Slatersville, RI (US)

(72) Inventors: **Brandon L. Ramsuer**, Henrico, VA (US); **Sara D. Falcon**, Richmond, VA (US); **Kelly A. Harrigan**, Richmond, VA (US)

(73) Assignee: **Silgan Dispensing Systems Slatersville LLC**, Slatersville, RI (US)

Primary Examiner — Michael A. Pratt
Assistant Examiner — Wendy L Arminio

(**) Term: **15 Years**

(74) *Attorney, Agent, or Firm* — Barlow, Josephs & Holmes, Ltd.

(21) Appl. No.: **29/577,304**

(22) Filed: **Sep. 12, 2016**

(57) **CLAIM**

(51) **LOC (12) Cl.** **09-07**

The ornamental design for a tamper evident dispensing closure, as shown and described.

(52) **U.S. Cl.**

USPC **D9/449**

(58) **Field of Classification Search**

DESCRIPTION

USPC D9/417, 434, 435, 443–450, 452, 453, D9/455, 499, 682–685; D7/387, 392, D7/392.1, 393, 396, 396.1, 398, 401.1, D7/507, 538; D3/202, 318; D28/91.1; D23/213, 223, 225, 226
 CPC .. A61J 1/00; A61J 1/1412; B65D 1/00; B65D 1/02; B65D 1/10; B65D 1/46; B65D 2585/56; B65D 2585/545; B65D 41/00; B65D 41/38; B65D 41/56; B65D 41/62; B65D 47/00; B65D 47/06; B65D 47/08; B65D 2543/00046; B65D 2543/00092; B65D 2543/00296; B65D 5/46; B65D 2251/00

FIG. 1 is a first perspective view of the tamper evident dispensing closure in accordance with the present design; FIG. 2 is a front view thereof; FIG. 3 is a back view thereof; FIG. 4 is a left side view thereof; FIG. 5 is a right side view thereof; FIG. 6 is a top view thereof; FIG. 7 is a bottom view thereof; FIG. 8 is perspective view thereof in an open position; FIG. 9 is a front view thereof in an open position; FIG. 10 is a back view thereof in an open position; FIG. 11 is a left side view thereof in an open position; FIG. 12 is a right side view thereof in an open position; FIG. 13 is a top view thereof in an open position; and, FIG. 14 is a bottom view thereof in an open position. The broken lines depict portions of the tamper evident dispensing closure that form no part of the claimed design.

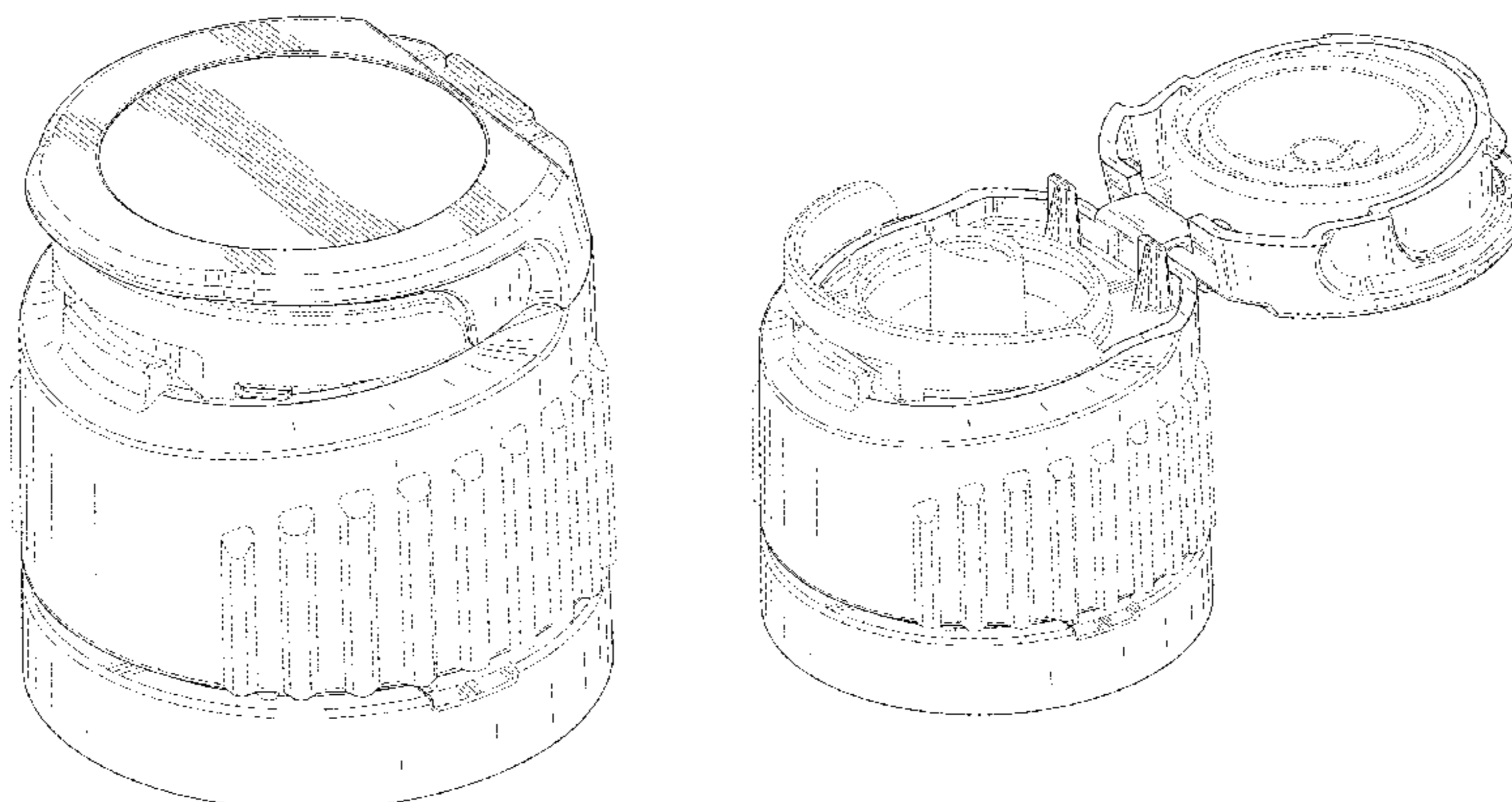
See application file for complete search history.

(56) **References Cited**

U.S. PATENT DOCUMENTS

D265,060 S * 6/1982 Blank D9/446
 D306,265 S * 2/1990 Leebeek D9/435

1 Claim, 14 Drawing Sheets



(56)

References Cited

U.S. PATENT DOCUMENTS

D585,278	S *	1/2009	Wilson	D9/449
D585,741	S *	2/2009	Wilson	D9/449
D585,742	S *	2/2009	Wilson	D9/449
D592,057	S *	5/2009	Guerin	D9/449
D598,752	S *	8/2009	Wilson	D9/449
D630,093	S *	1/2011	Bardet	D9/438
D640,134	S *	6/2011	Rognard	D9/447
D672,650	S *	12/2012	Wisniewski	D9/443
D672,651	S *	12/2012	Gregory	D9/443
D673,044	S *	12/2012	Wisniewski	D9/443
D681,458	S *	5/2013	Santarelli	D9/443
D686,077	S *	7/2013	Stull, Sr.	D9/447
D768,490	S *	10/2016	Robinson	D9/449
D775,950	S *	1/2017	Rognard	D9/434
9,884,706	B1 *	2/2018	Skillin	B65D 47/0838
2005/0279727	A1 *	12/2005	Graswald	B65D 47/0804 215/237
2008/0169261	A1 *	7/2008	Druitt	B65D 47/0809 215/237
2009/0134188	A1 *	5/2009	Wilson	B65D 47/0809 222/571
2015/0048124	A1 *	2/2015	Wisniewski	B65D 47/0809 222/478
2015/0090743	A1 *	4/2015	Wisniewski	B65D 47/0804 222/478
2016/0016703	A1 *	1/2016	Muhlemann	B65D 47/0814 222/566
2016/0244219	A1 *	8/2016	Benoit-Gonin	B65D 47/0804
2016/0375452	A1 *	12/2016	Skillin	B05B 11/047 222/207
2017/0050773	A1 *	2/2017	Rognard	B65D 41/3428

* cited by examiner

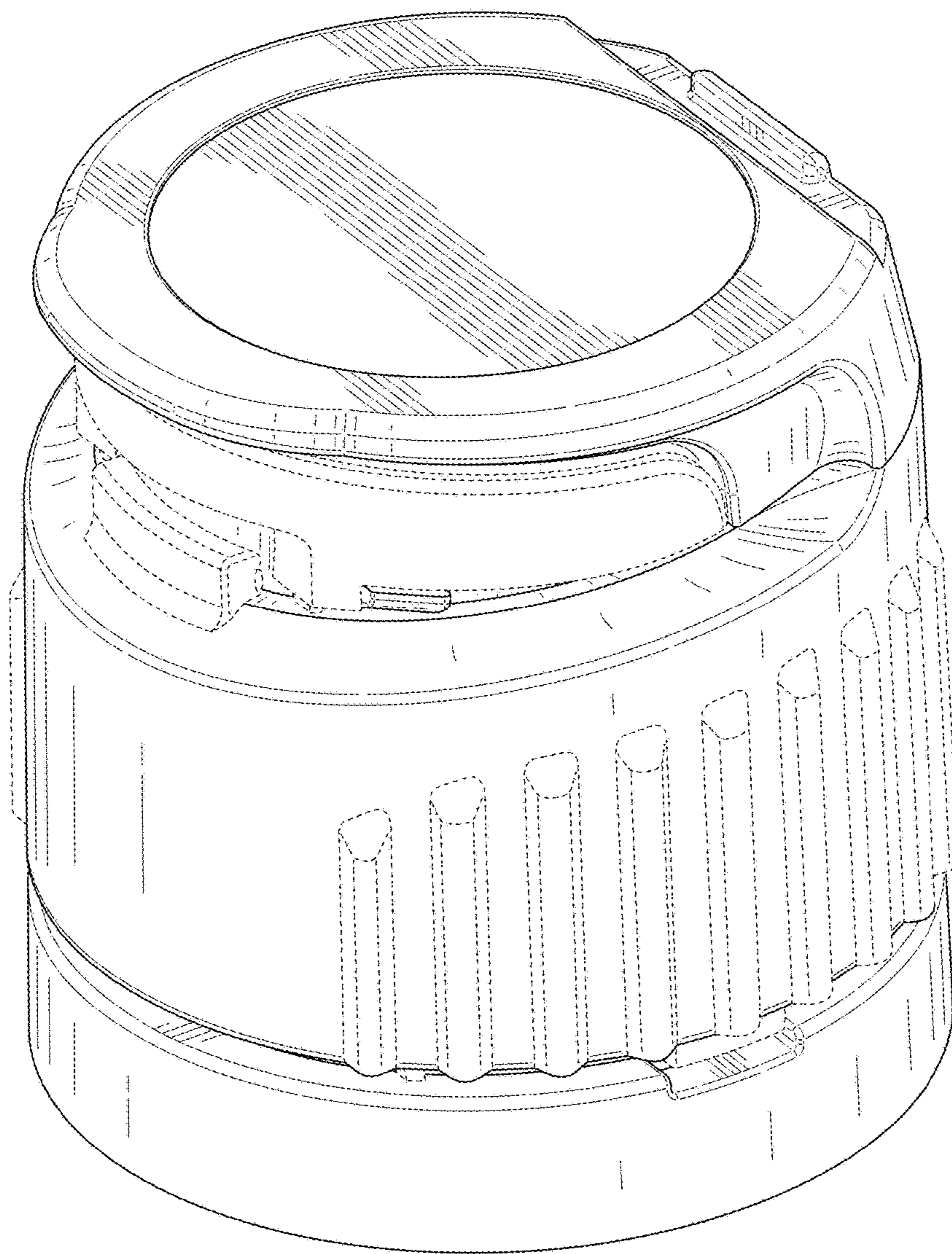


FIG. 1

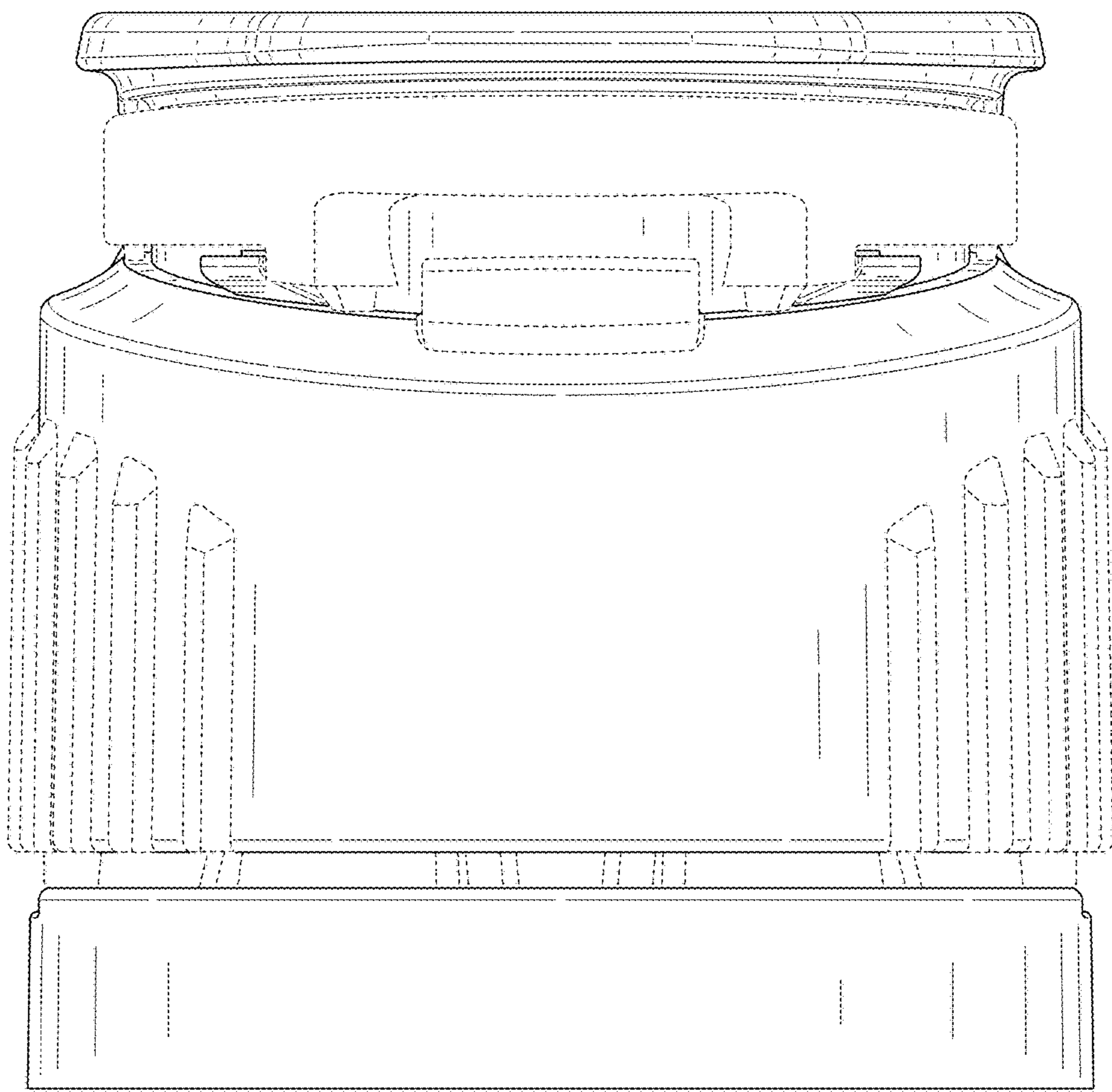


FIG. 2

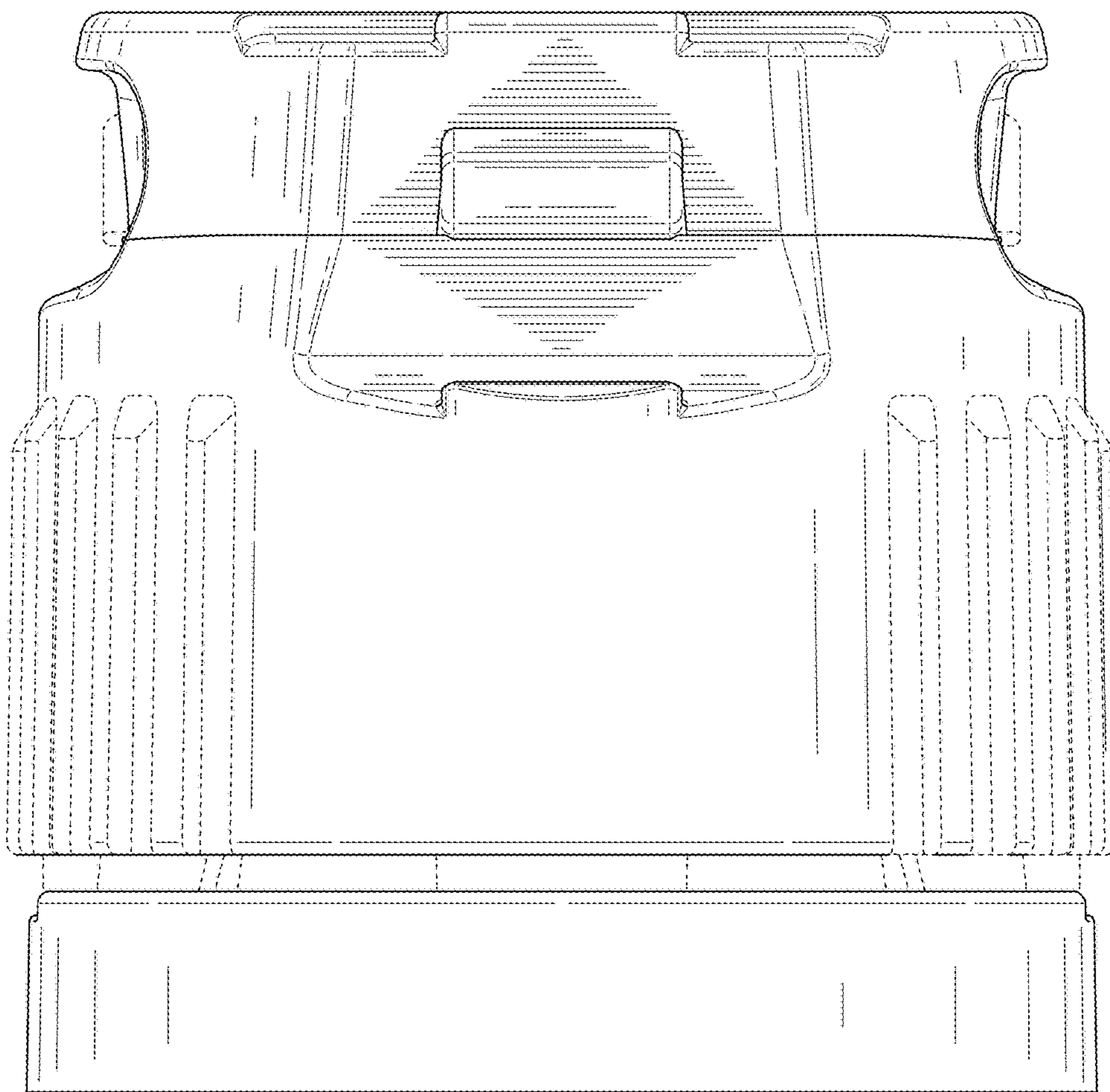


FIG. 3

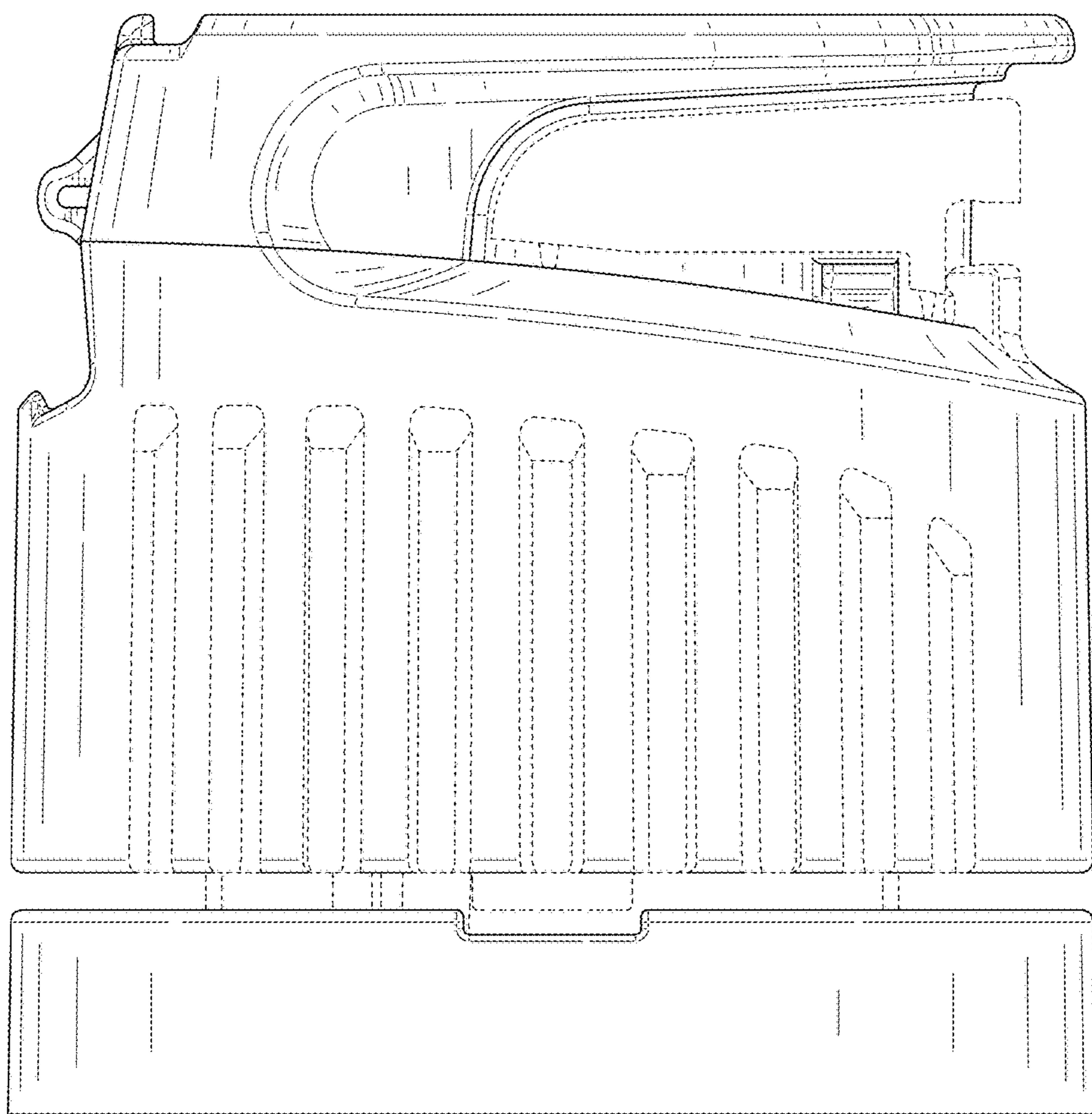


FIG. 4

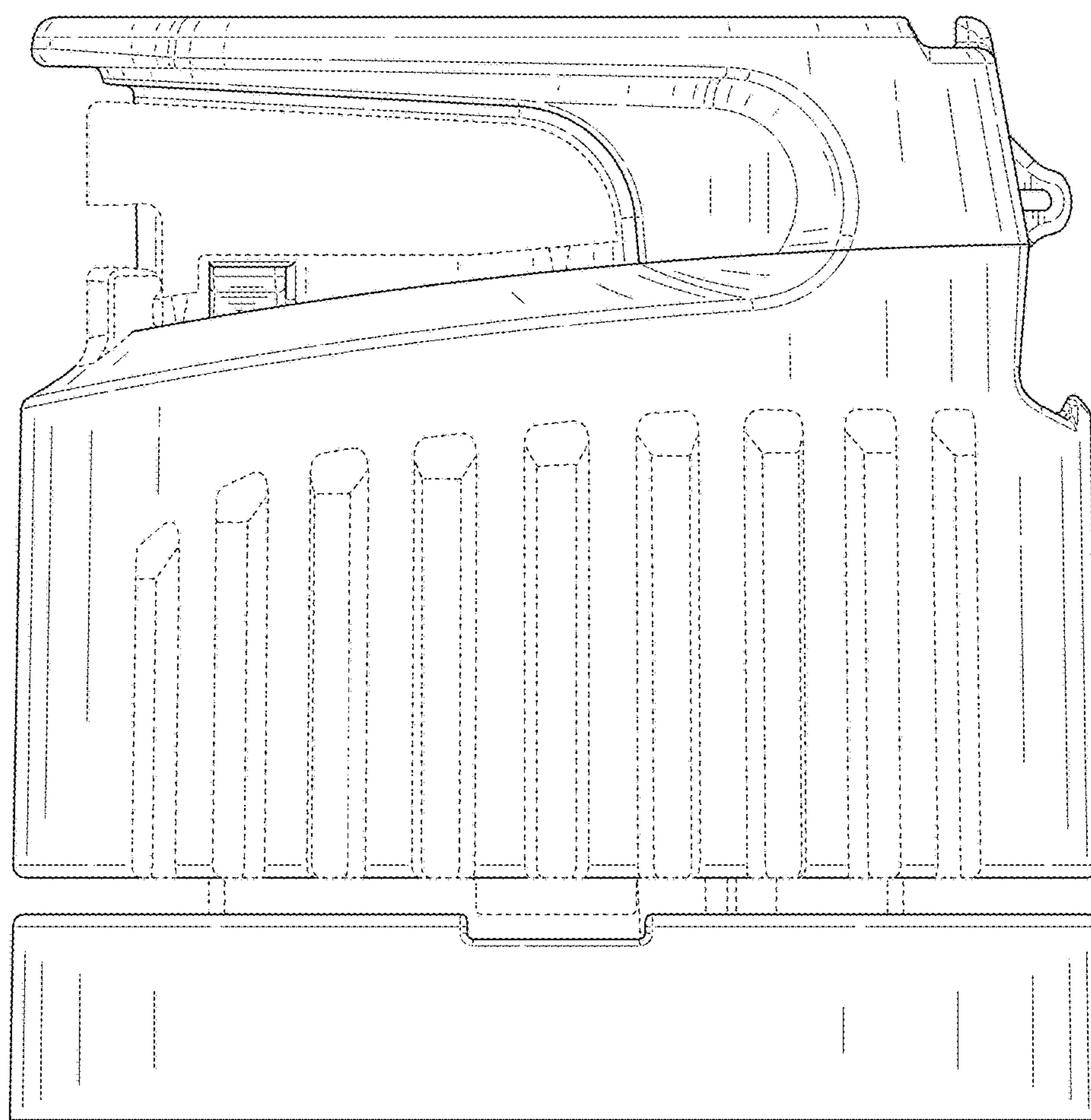


FIG. 5

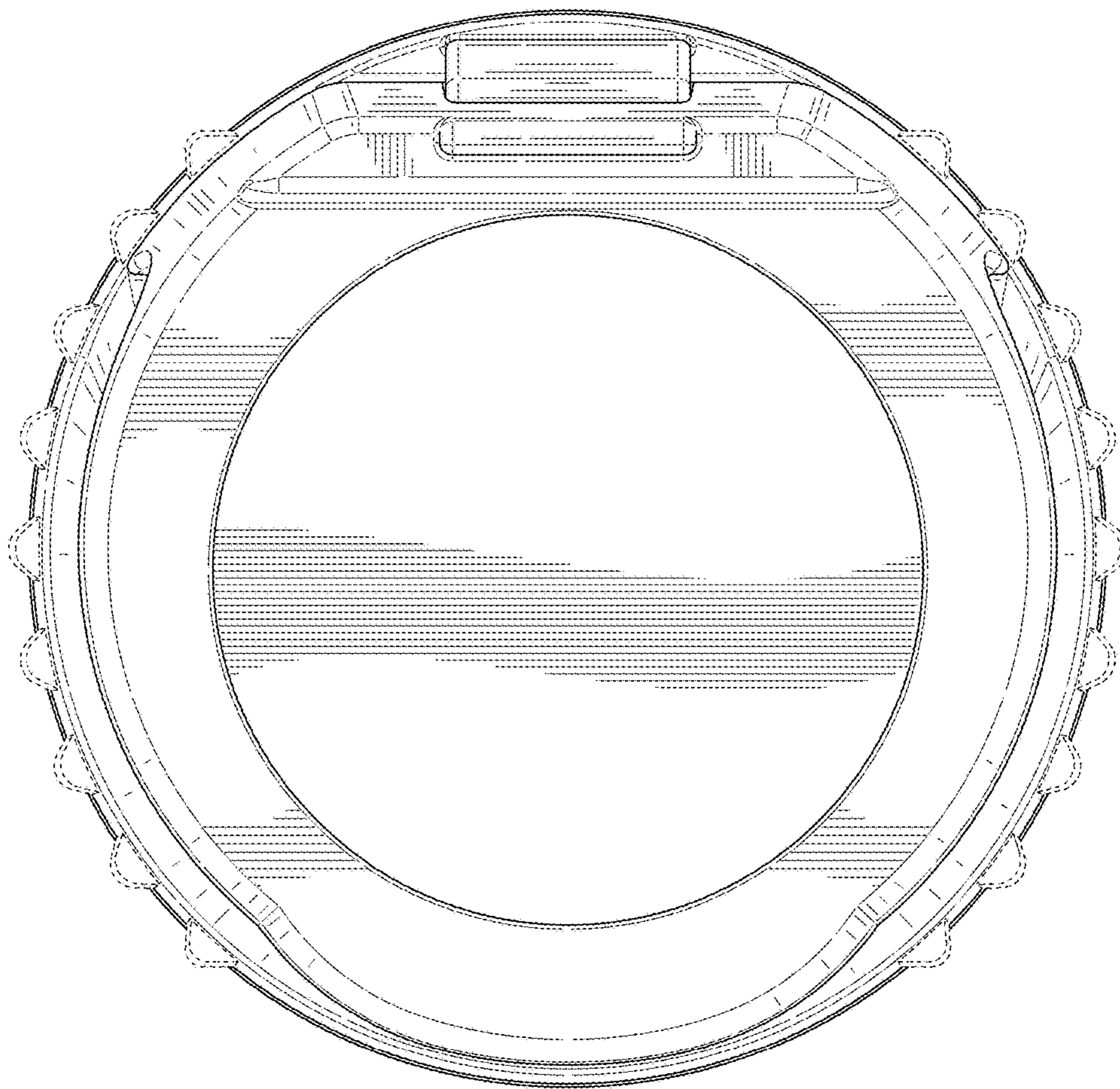


FIG. 6

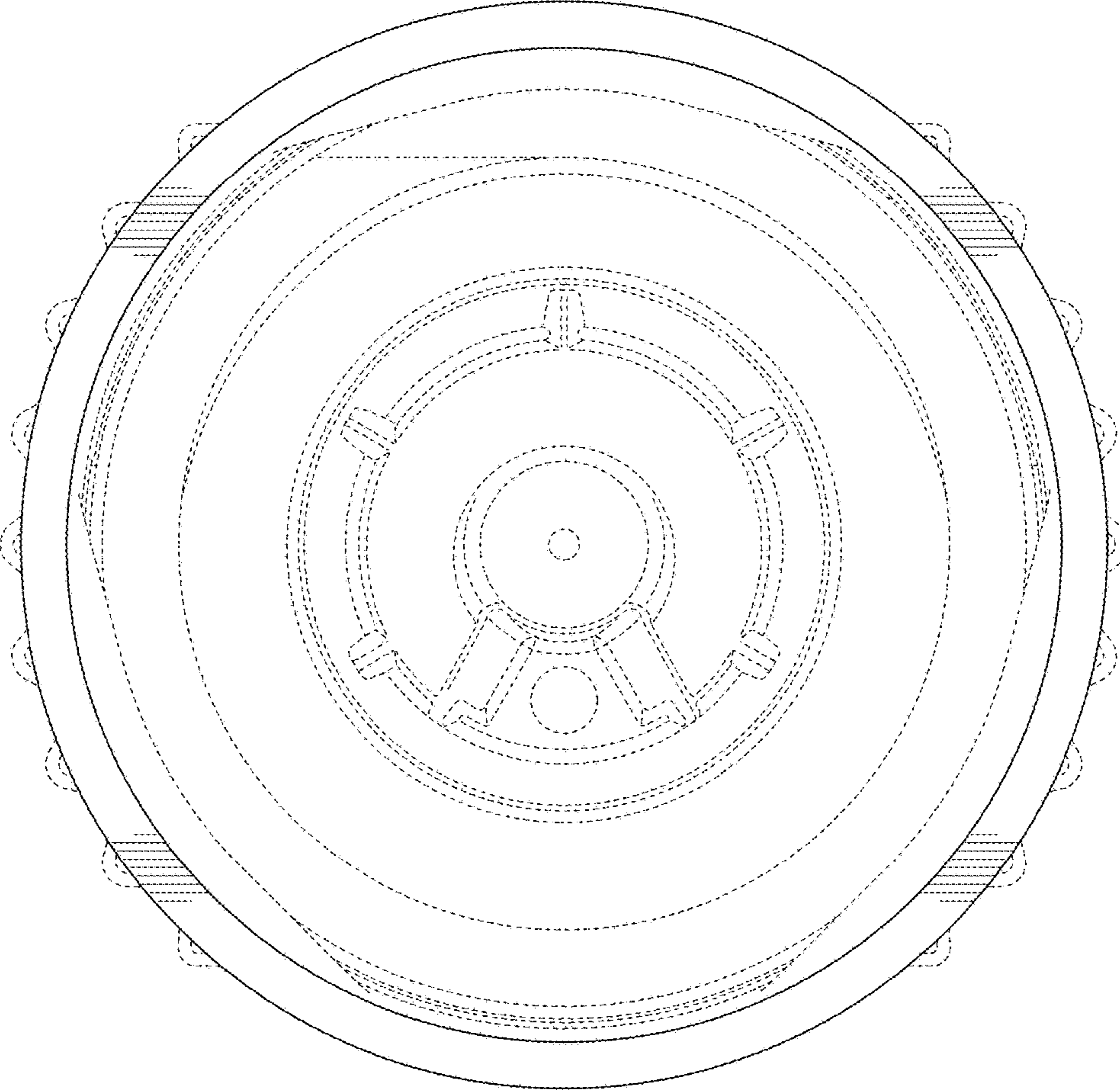
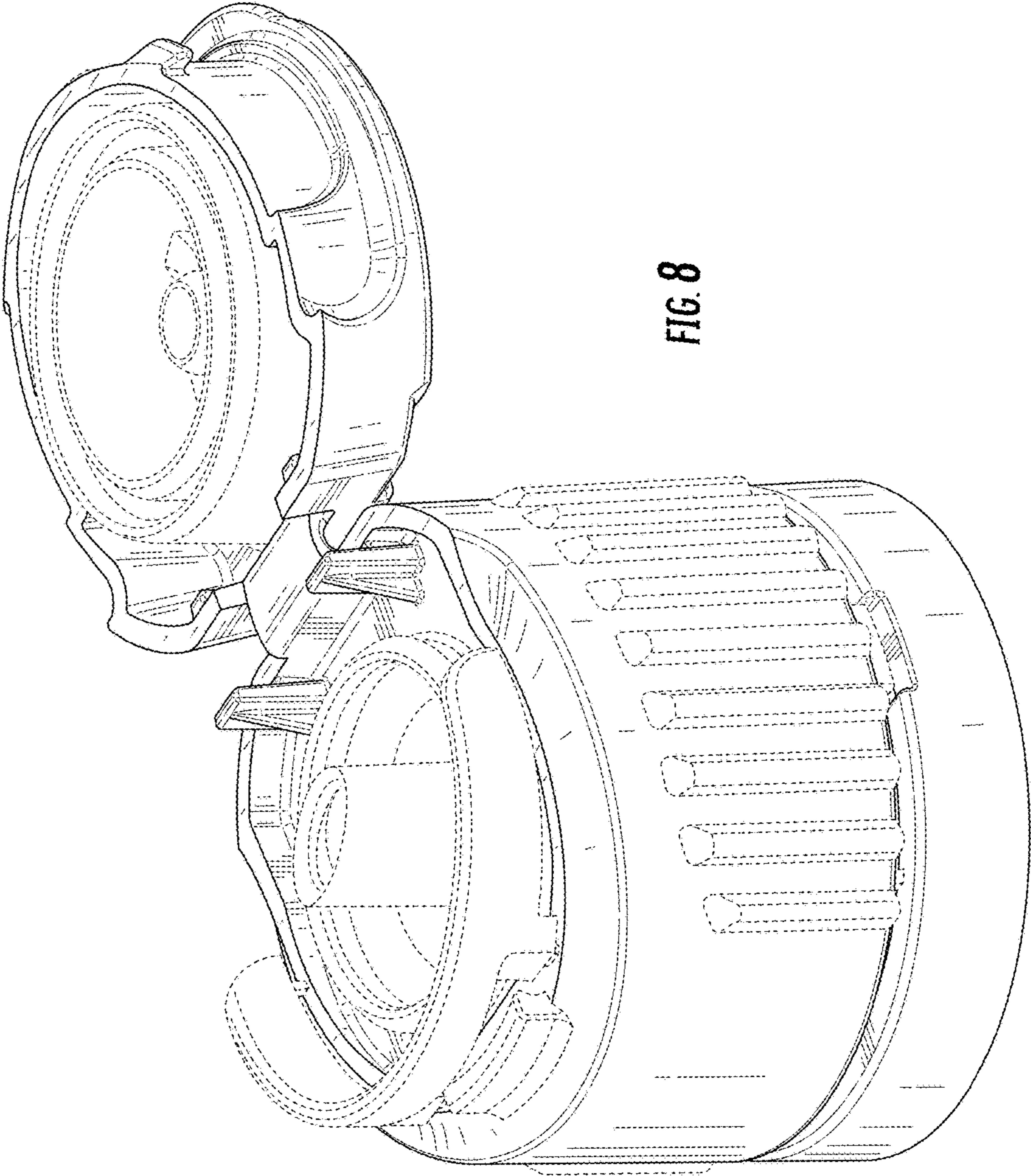


FIG. 7



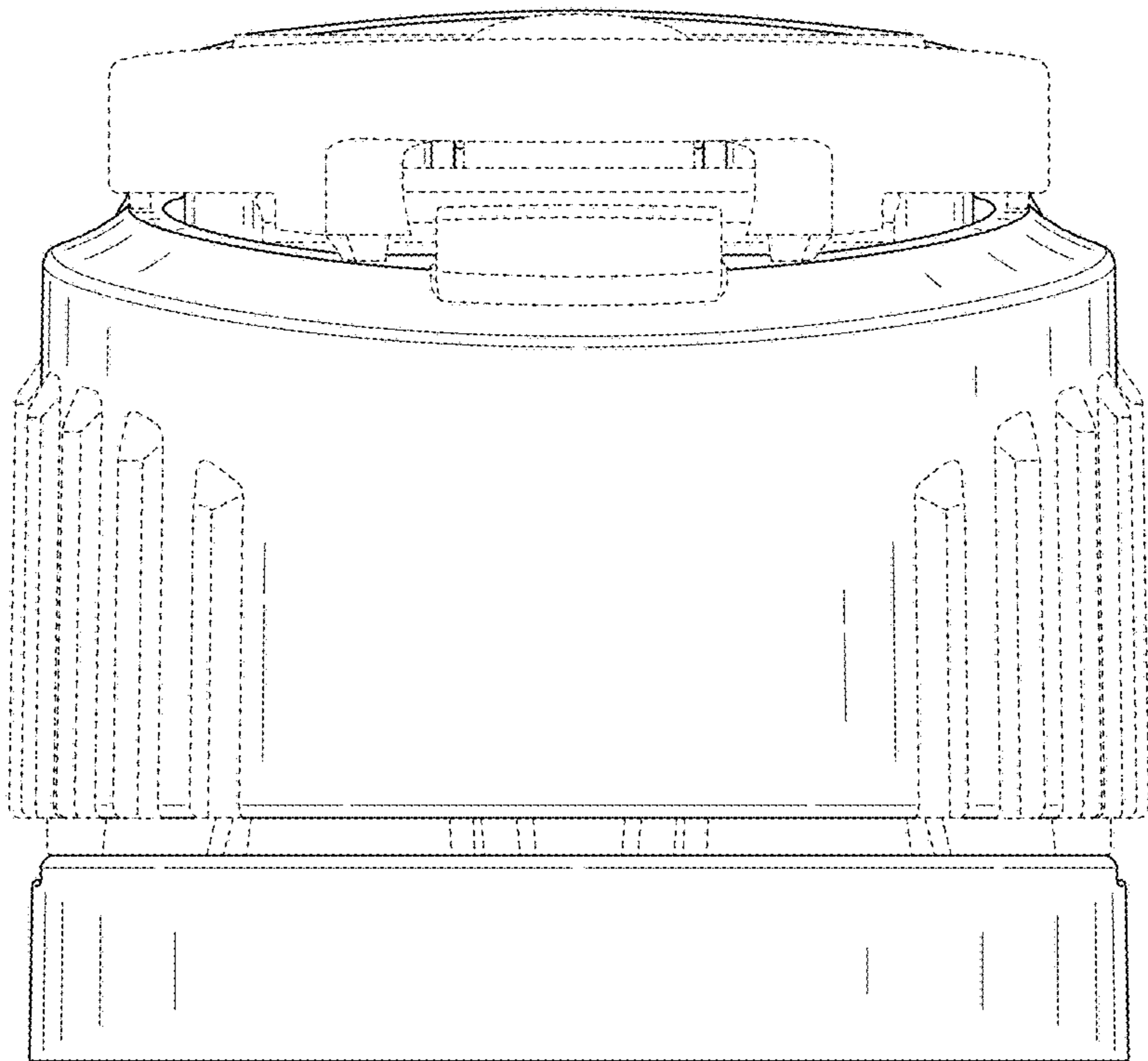


FIG. 9

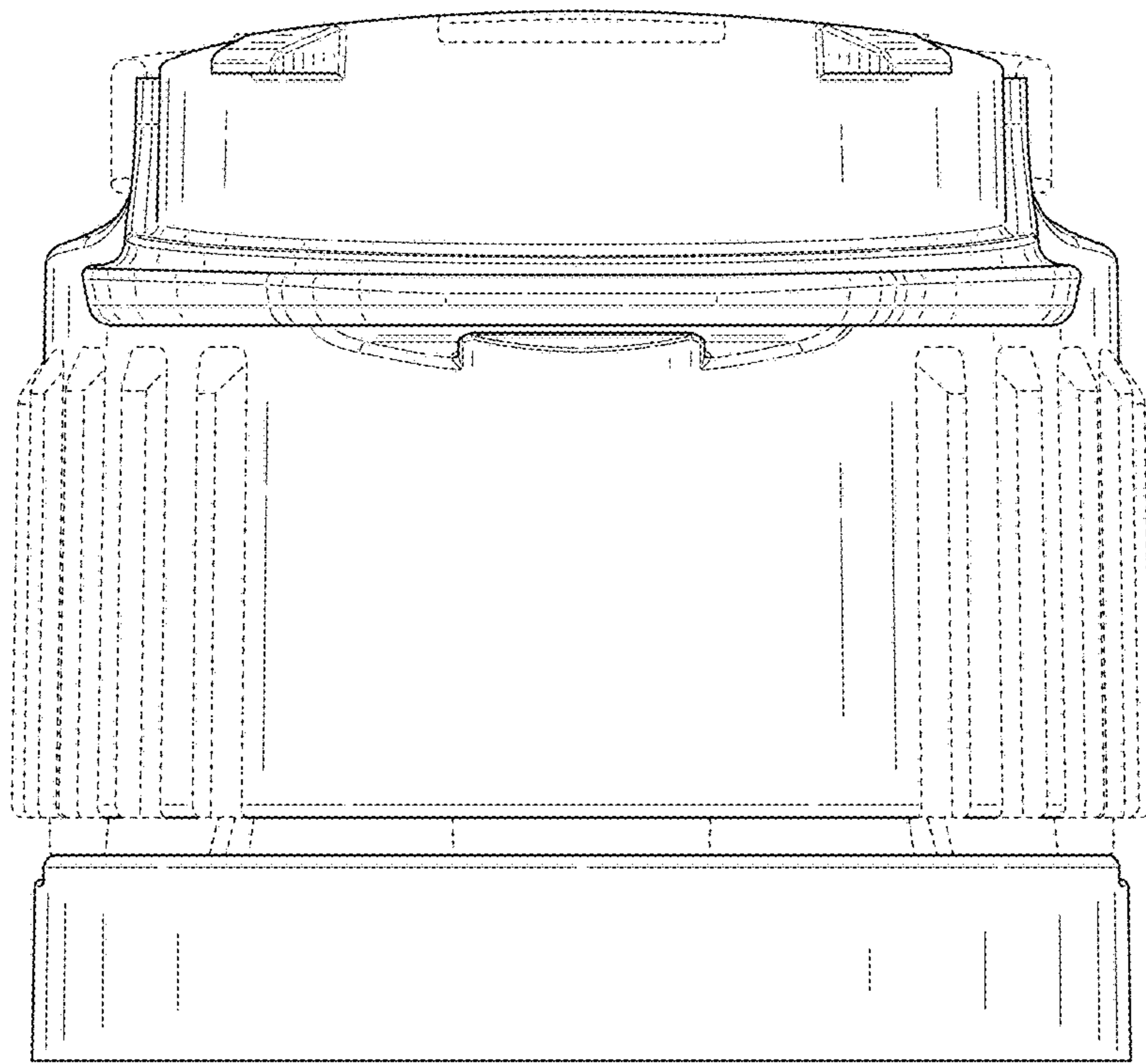


FIG. 10

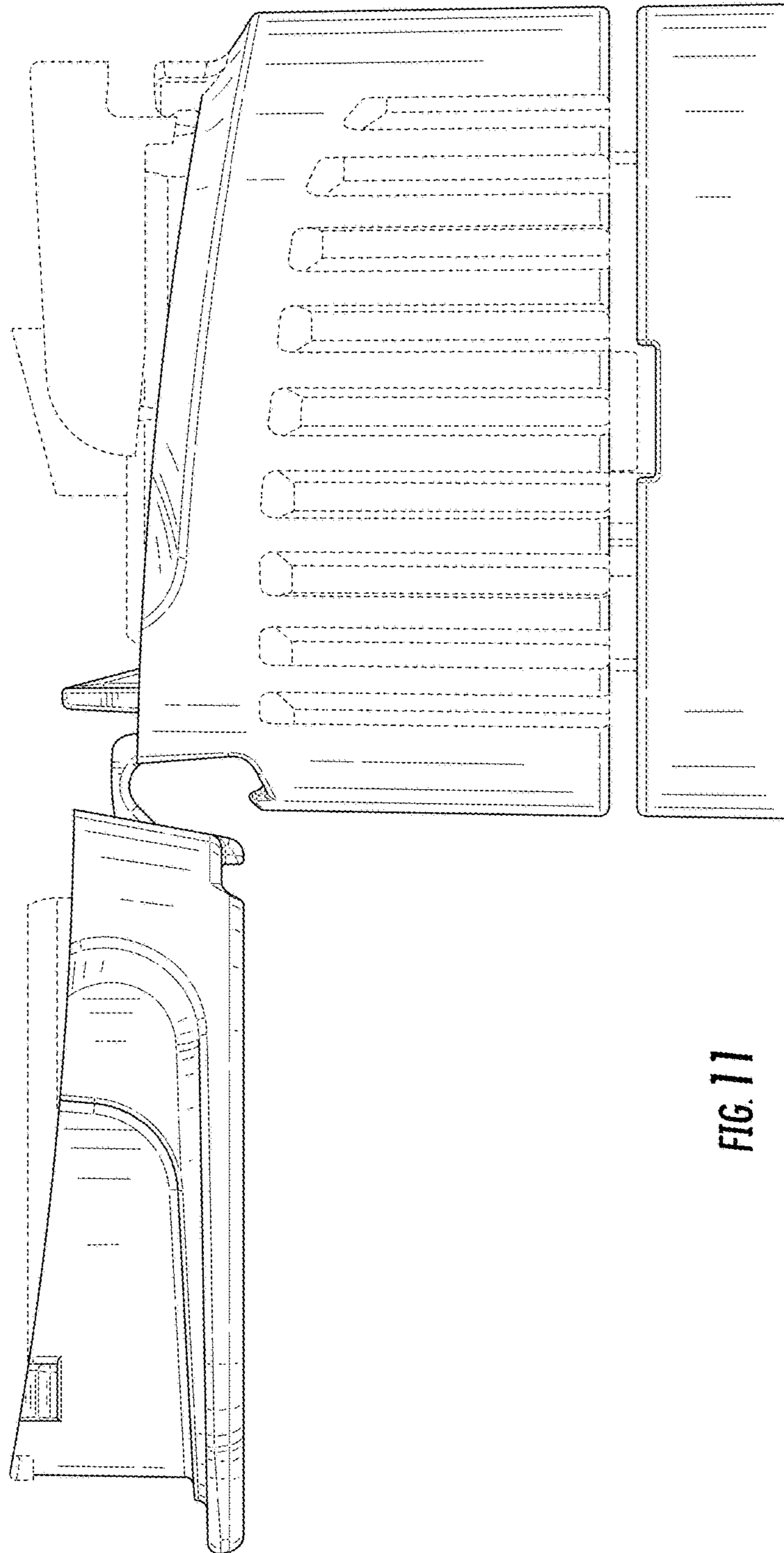


FIG. 11

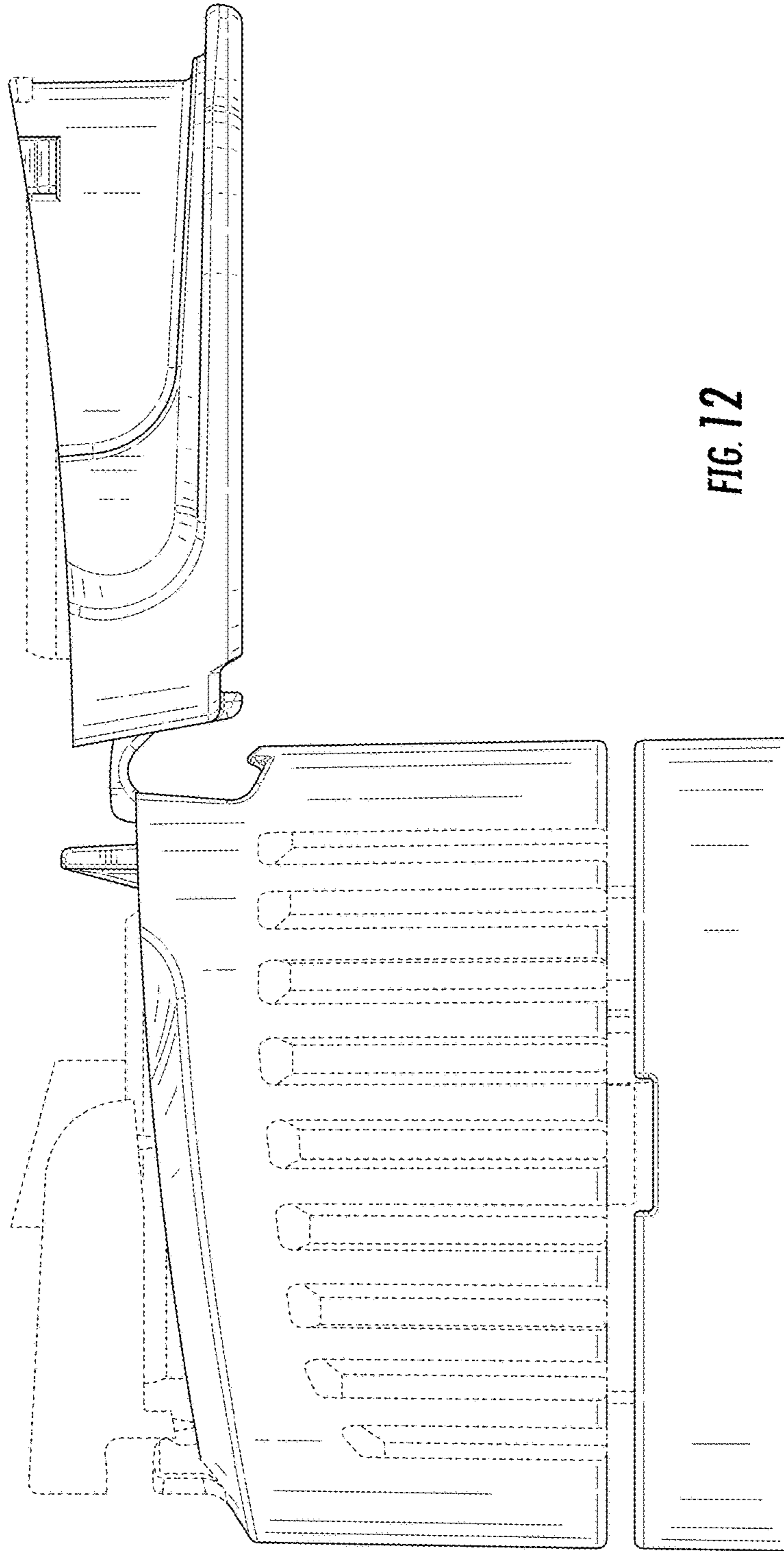


FIG. 12

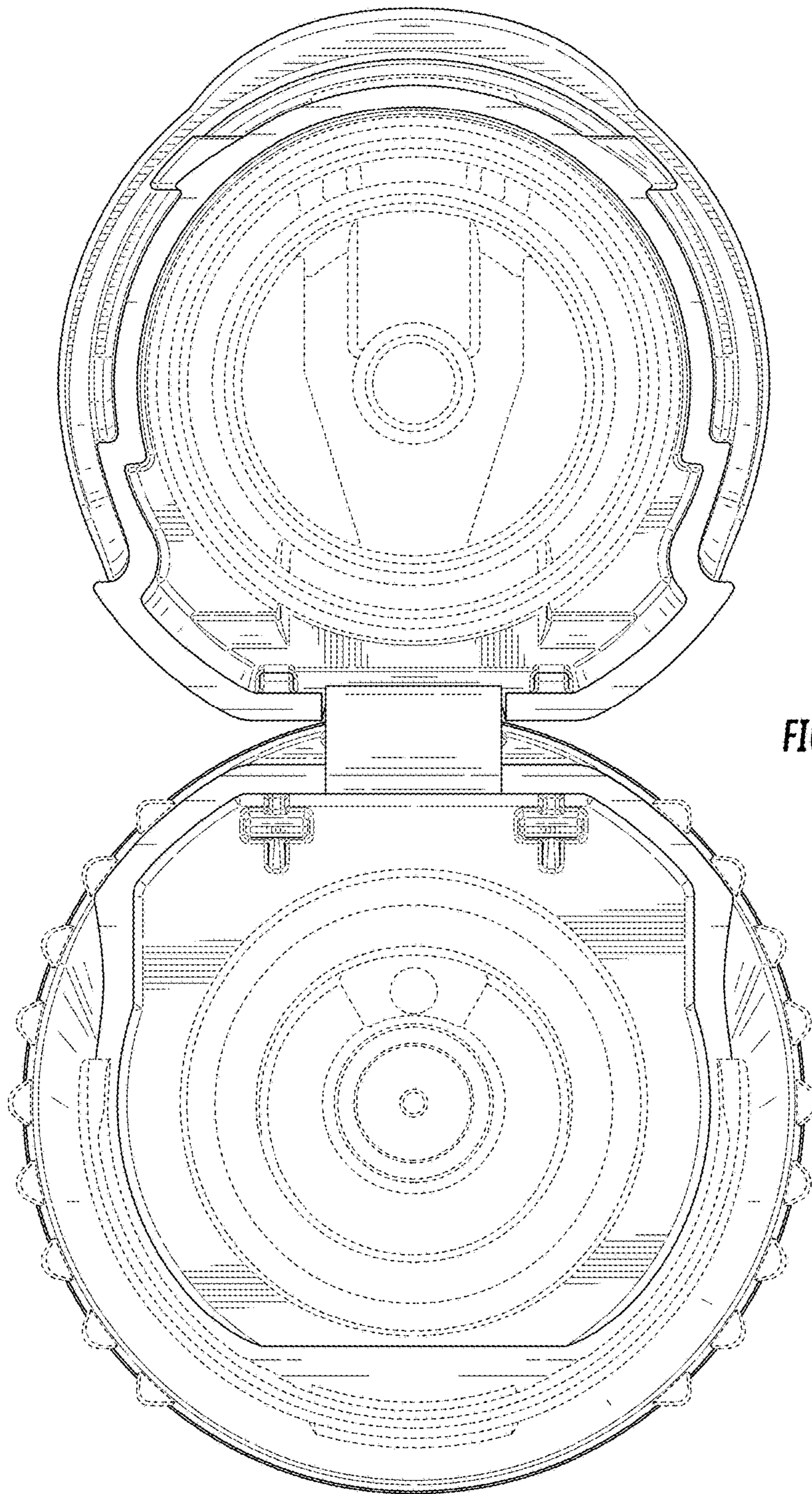


FIG. 13

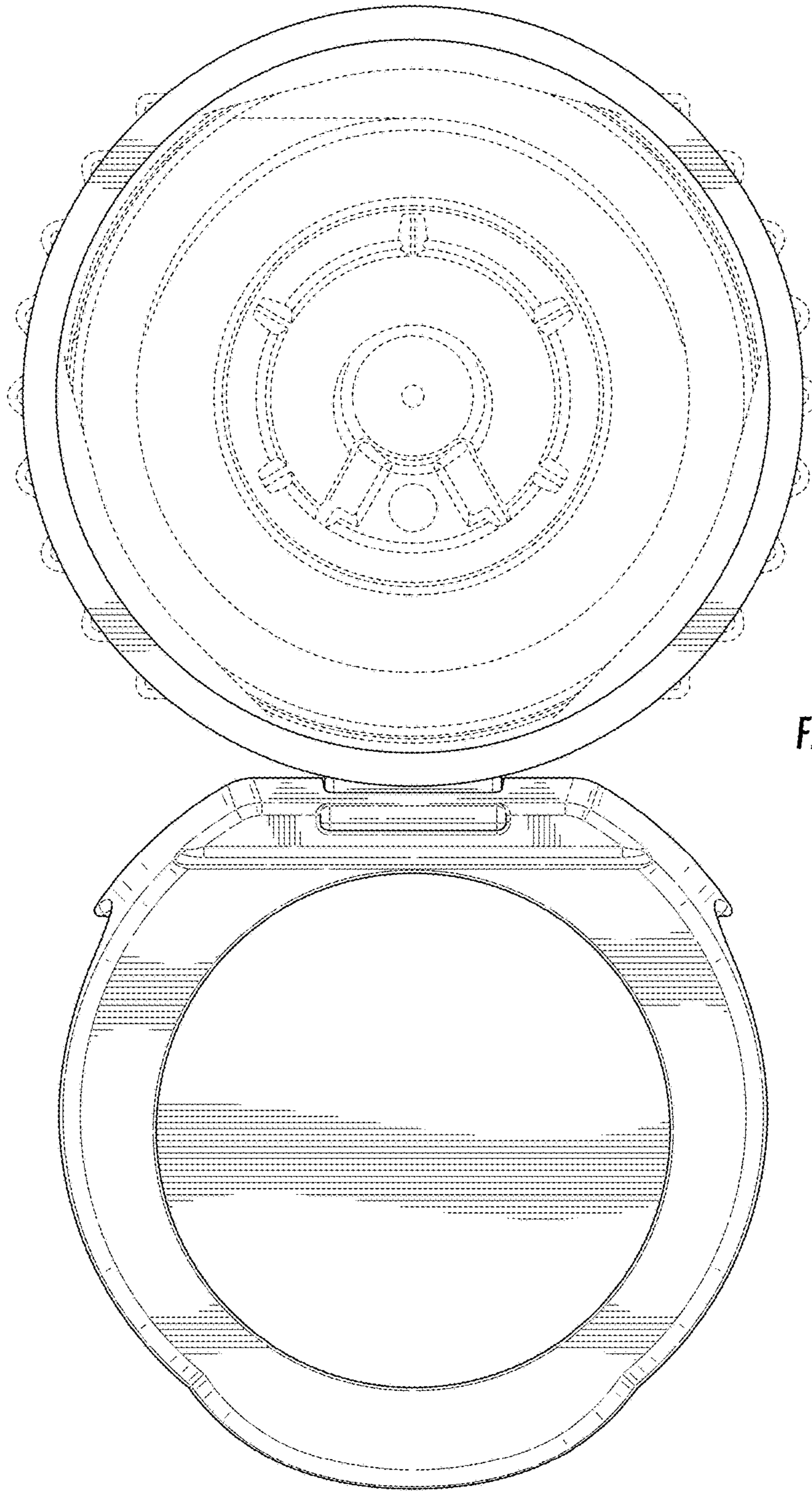


FIG. 14