



US00D859152S

(12) **United States Design Patent** (10) **Patent No.:** **US D859,152 S**  
**Suzuki** (45) **Date of Patent:** **\*\* Sep. 10, 2019**

(54) **CAP FOR CONTAINER FOR LIQUID DRIPPING**

(71) Applicant: **GC Corporation**, Shizuoka (JP)

(72) Inventor: **Takumi Suzuki**, Tokyo (JP)

(73) Assignee: **GC Corporation**, Shizuoka (JP)

(\*\*) Term: **15 Years**

(21) Appl. No.: **29/625,066**

(22) Filed: **Nov. 7, 2017**

(30) **Foreign Application Priority Data**

May 29, 2017 (JP) ..... 2017-011445

(51) **LOC (12) Cl.** ..... **09-07**

(52) **U.S. Cl.**  
USPC ..... **D9/447**

(58) **Field of Classification Search**

USPC ..... D3/10, 17, 29, 200, 202, 203.1, 207;  
D7/387, 391, 392, 392.1, 393, 396.1,  
D7/396.2, 398, 900; D8/300, 303, 321;  
D9/2-715, 723-729, 745, 746, 774;  
D12/197, 200, 212; D19/96, 162, 163,  
D19/187, 194; D23/259, 260, 261;  
D24/111, 112, 127, 196, 197, 199, 224;  
D28/76, 84

CPC ..... B65D 75/5883; B65D 41/3414;  
B65D 41/00; B65D 41/3447; B65D  
2101/0023; B65D 2101/0046; B65D  
2213/00; B65D 81/3272; B65D 85/12;  
B65D 23/065; B65D 47/066; A45D  
2200/05; A45D 2200/051; A45D 34/00;  
A45D 34/02; A45D 40/00; A45D 40/40;  
A45D 40/0068; A45D

(Continued)

(56) **References Cited**

**U.S. PATENT DOCUMENTS**

D208,047 S \* 7/1967 Brophy ..... D29/114  
D223,804 S 6/1972 Kusek et al.

(Continued)

**OTHER PUBLICATIONS**

GC Equia Forte: Site Visited [May 29, 2019]. Available from Internet URL: [https://funk.easyscan.dental-union.de/index.php/catalog2/products/1316409/gc-equia-forte-ht?prodfilters%5Bcatalog\\_level\\_2%5D%5B419611%5D=419611&context=%2Fcatalog2.\\*](https://funk.easyscan.dental-union.de/index.php/catalog2/products/1316409/gc-equia-forte-ht?prodfilters%5Bcatalog_level_2%5D%5B419611%5D=419611&context=%2Fcatalog2.*)

(Continued)

*Primary Examiner* — Jennifer Rivard

*Assistant Examiner* — Catherine S Posthauer

(74) *Attorney, Agent, or Firm* — IPUSA, PLLC

(57) **CLAIM**

The ornamental design for a cap for container for liquid dripping, as shown and described.

**DESCRIPTION**

FIG. 1 is a perspective view of a cap for container for liquid dripping, showing our new design;

FIG. 2 is a perspective view thereof, shown in a position of use with an exemplary container, with the cap in a closed position;

FIG. 3 is a perspective view thereof, showing the cap in an opened position;

FIG. 4 is a front view thereof, with the exemplary container removed;

FIG. 5 is a rear view thereof;

FIG. 6 is a top plan view thereof;

FIG. 7 is a bottom view thereof;

FIG. 8 is a right side view thereof;

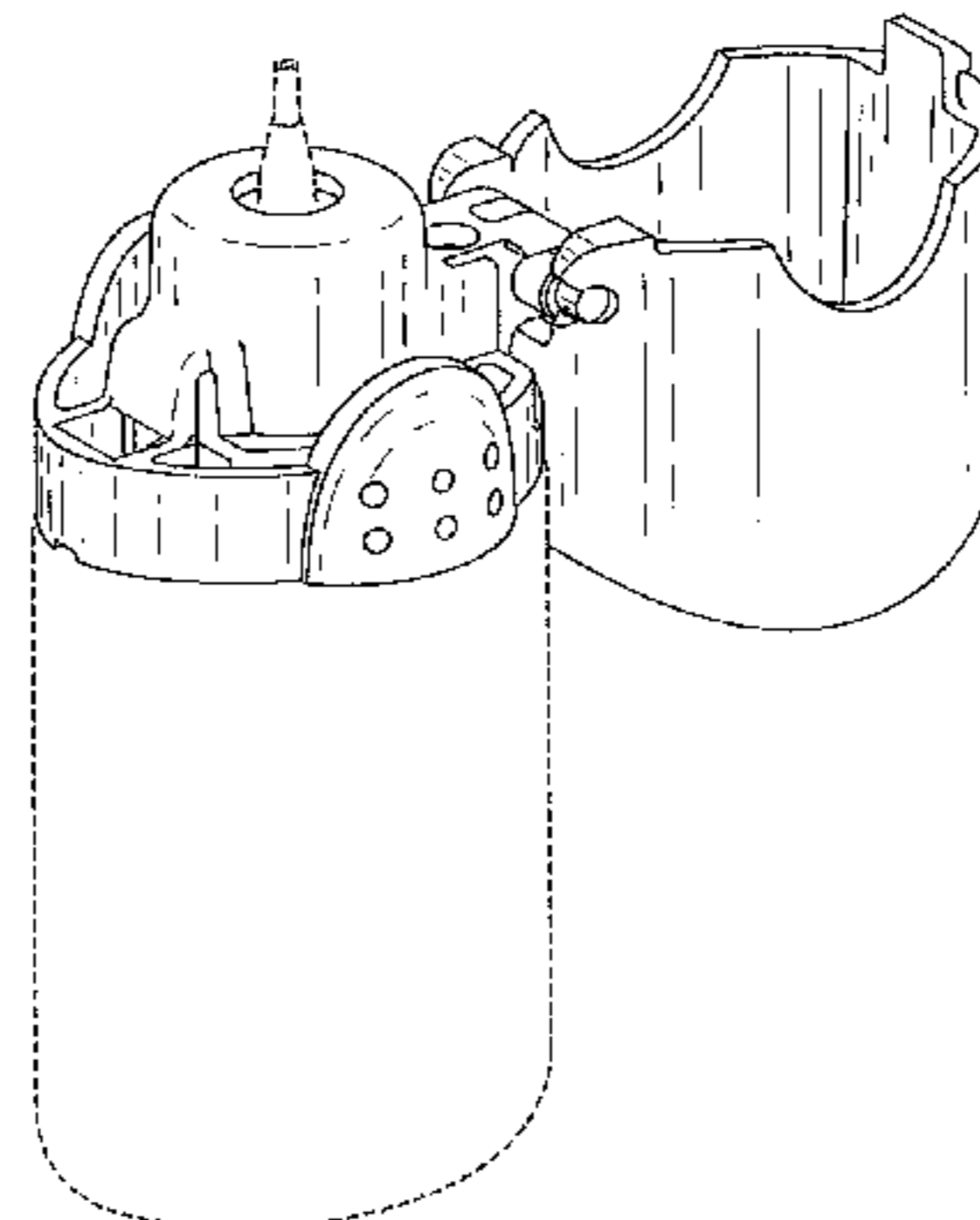
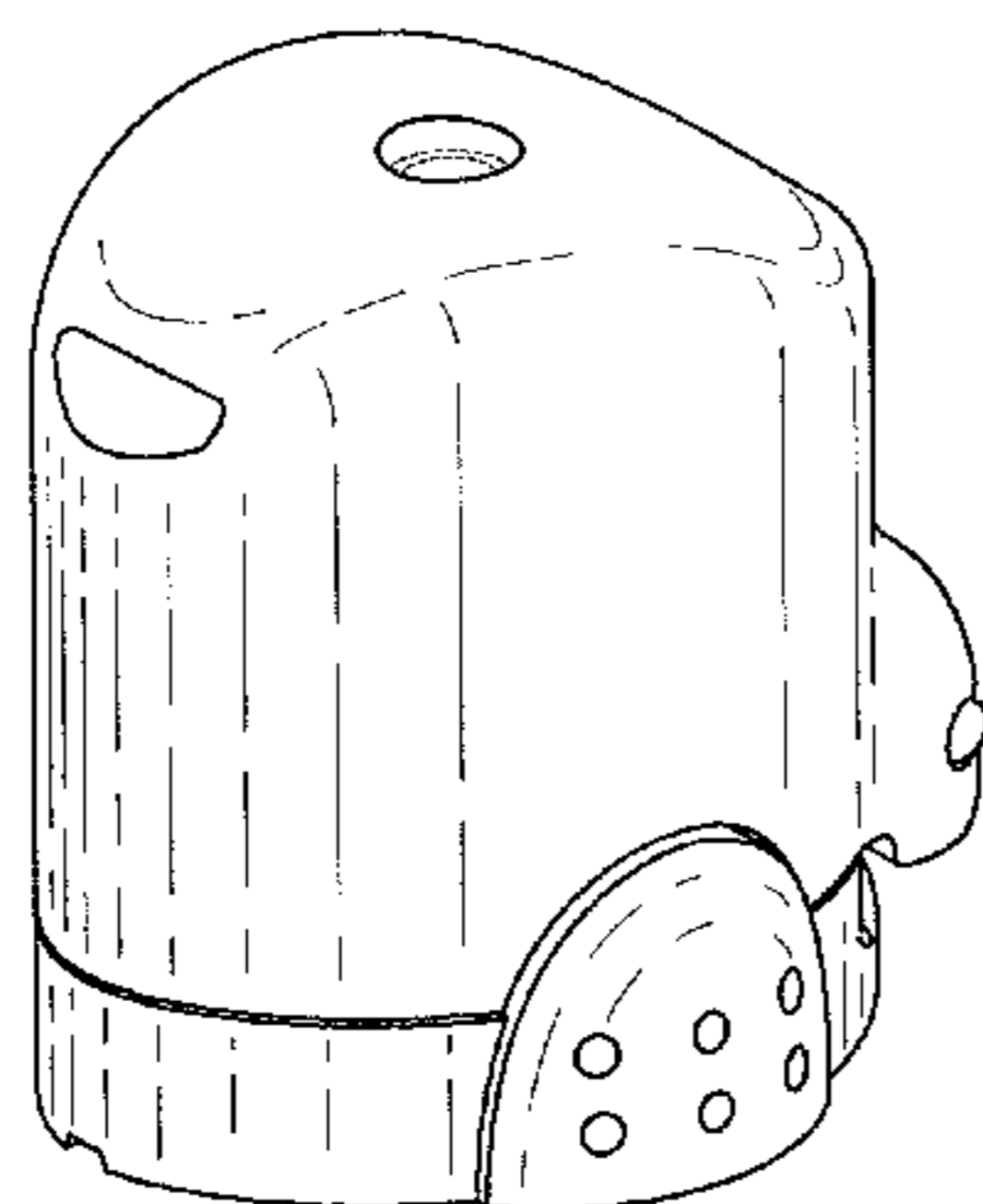
FIG. 9 is a left side view thereof;

FIG. 10 is a cross sectional view, taken along the line 10-10 of FIG. 6; and,

FIG. 11 is a cross sectional view, taken along the line 10-10 of FIG. 6 with the cap opened.

The broken lines are shown for the purpose of illustrating parts of the article and environmental subject matter of a container, none of which form part of the claimed design.

**1 Claim, 6 Drawing Sheets**



(58) **Field of Classification Search**  
 CPC . 40/0073; A45D 2034/007; A45F 3/16; A47G  
 19/2266; A47G 19/2272  
 See application file for complete search history.

(56) **References Cited**

U.S. PATENT DOCUMENTS

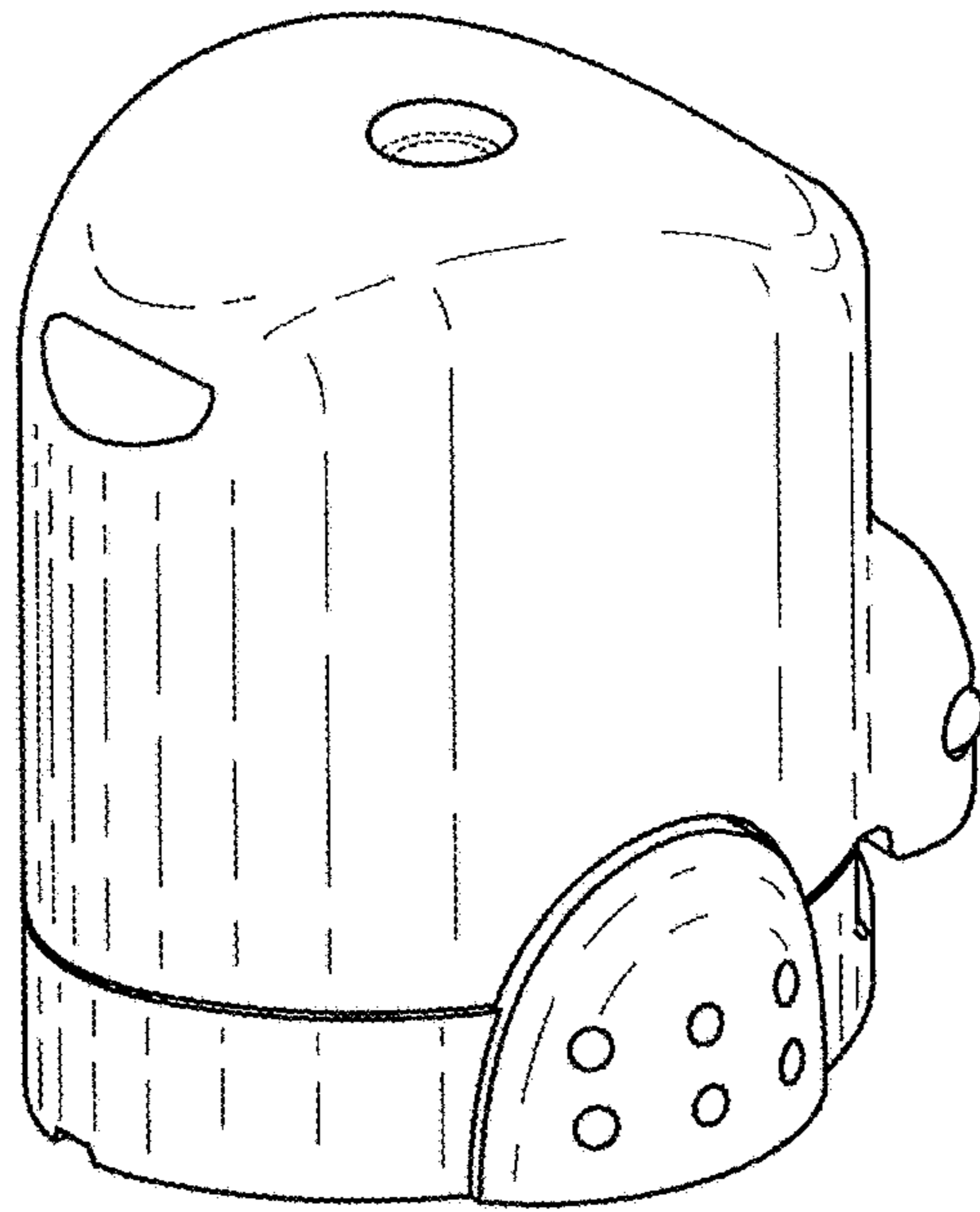
D231,708 S	5/1974	Kenney et al.	
D263,795 S	4/1982	Pagels	
D390,786 S	2/1998	Saunders et al.	
6,116,477 A *	9/2000	Kreiseder .....	B65D 47/0857 222/546
D451,392 S *	12/2001	Kitamura .....	D9/447
D538,967 S	3/2007	Chuang	
D609,964 S *	2/2010	Lane .....	D7/392.1
D641,241 S *	7/2011	Goto .....	D9/449
D661,945 S *	6/2012	Eyal .....	D7/392.1
D663,891 S	7/2012	Cohen Harel	
D686,871 S *	7/2013	Lane .....	D7/392.1
D686,872 S *	7/2013	Lane .....	D7/392.1
D748,477 S *	2/2016	Herbst .....	D7/392.1
D758,790 S *	6/2016	Boroski .....	D7/392.1
D759,485 S *	6/2016	Boroski .....	D9/449

D775,951 S *	1/2017	Wang .....	D7/392.1
D780,578 S *	3/2017	Lane .....	D7/396.2
D782,908 S *	4/2017	Bentkovski .....	D9/449
D785,402 S *	5/2017	Shirley .....	D7/392.1
D794,453 S *	8/2017	Boroski .....	D7/392.1
D801,172 S *	10/2017	Bentkovski .....	D9/449
D817,088 S *	5/2018	Shirley .....	D7/396.2
D818,767 S *	5/2018	Nezu .....	D7/392.1
D819,395 S *	6/2018	Yu .....	D7/391
10,034,564 B2 *	7/2018	Sims .....	A47G 19/2272
D827,769 S *	9/2018	Brill .....	D23/209
D847,659 S *	5/2019	Suzuki .....	D9/724
2002/0108965 A1 *	8/2002	Hill .....	A45D 34/00 222/54
2013/0189018 A1	7/2013	Choi	
2014/0197205 A1	7/2014	Kim	

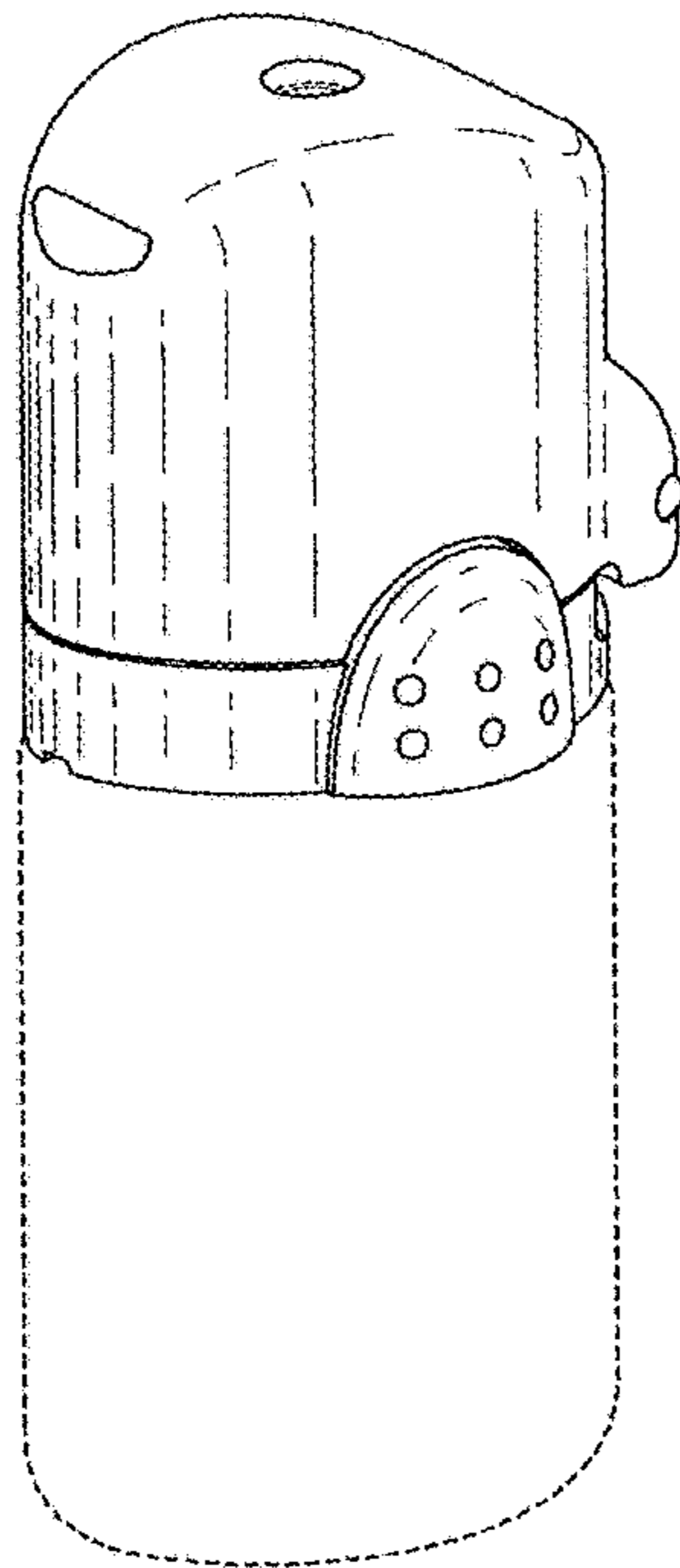
OTHER PUBLICATIONS

Equia Forte: Site Visited [May 29, 2019]. Available from Internet  
 URL: [https://www.henryschein-dental.de/global/Shopping/ProductDetailsFullPage.aspx?productid=830607&CatalogName=WEBDENT.\\*](https://www.henryschein-dental.de/global/Shopping/ProductDetailsFullPage.aspx?productid=830607&CatalogName=WEBDENT.*)

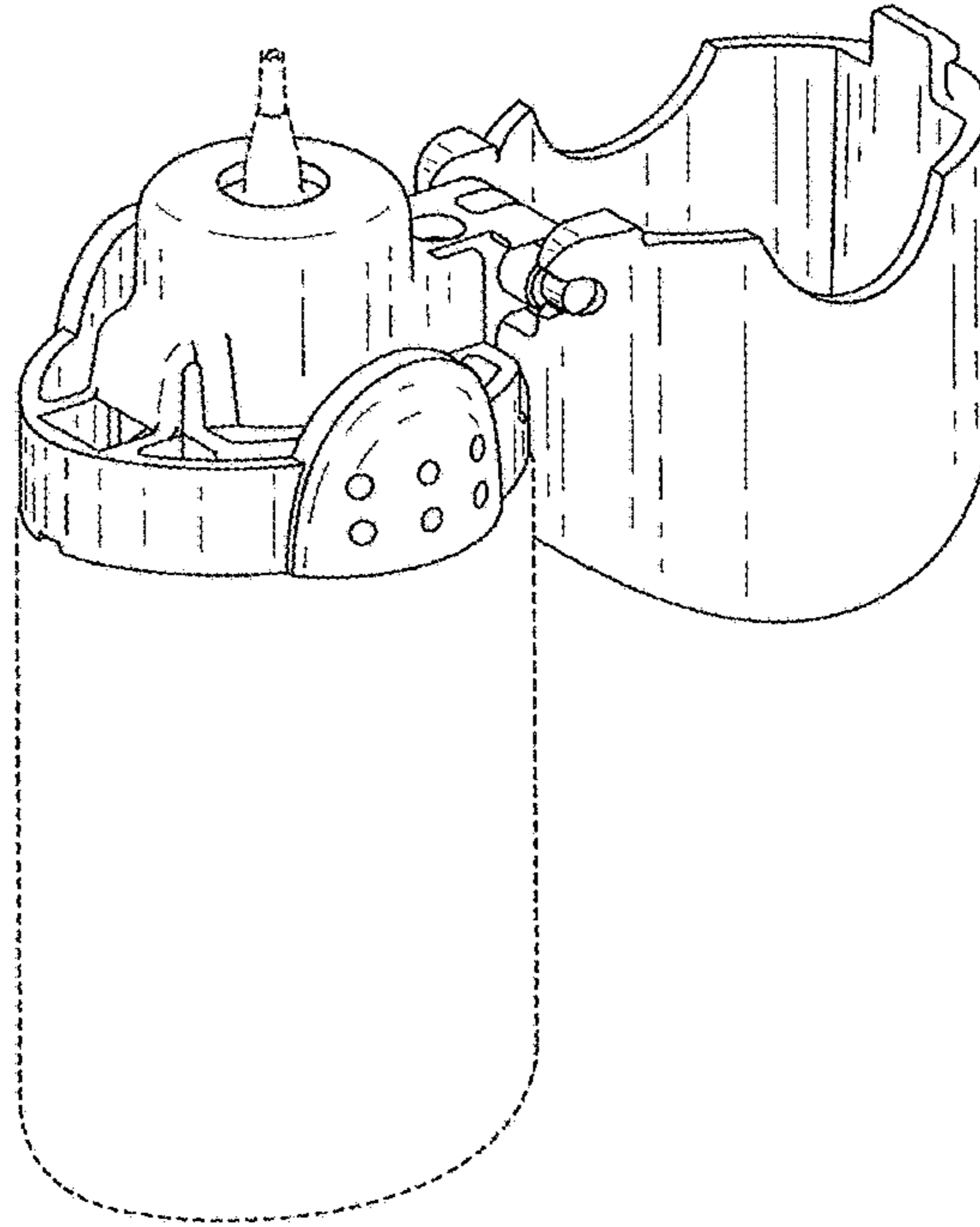
\* cited by examiner



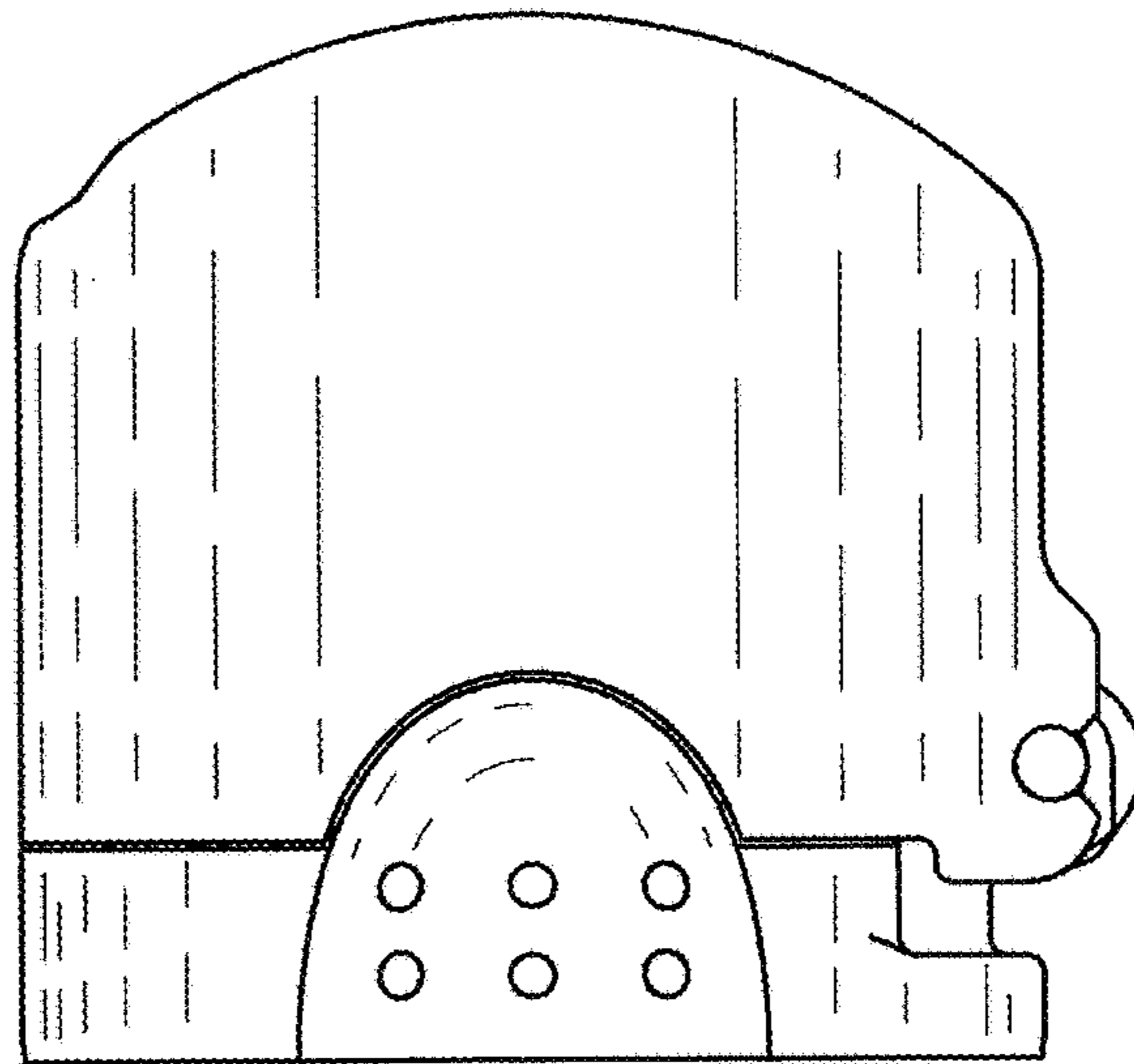
*Fig. 1*



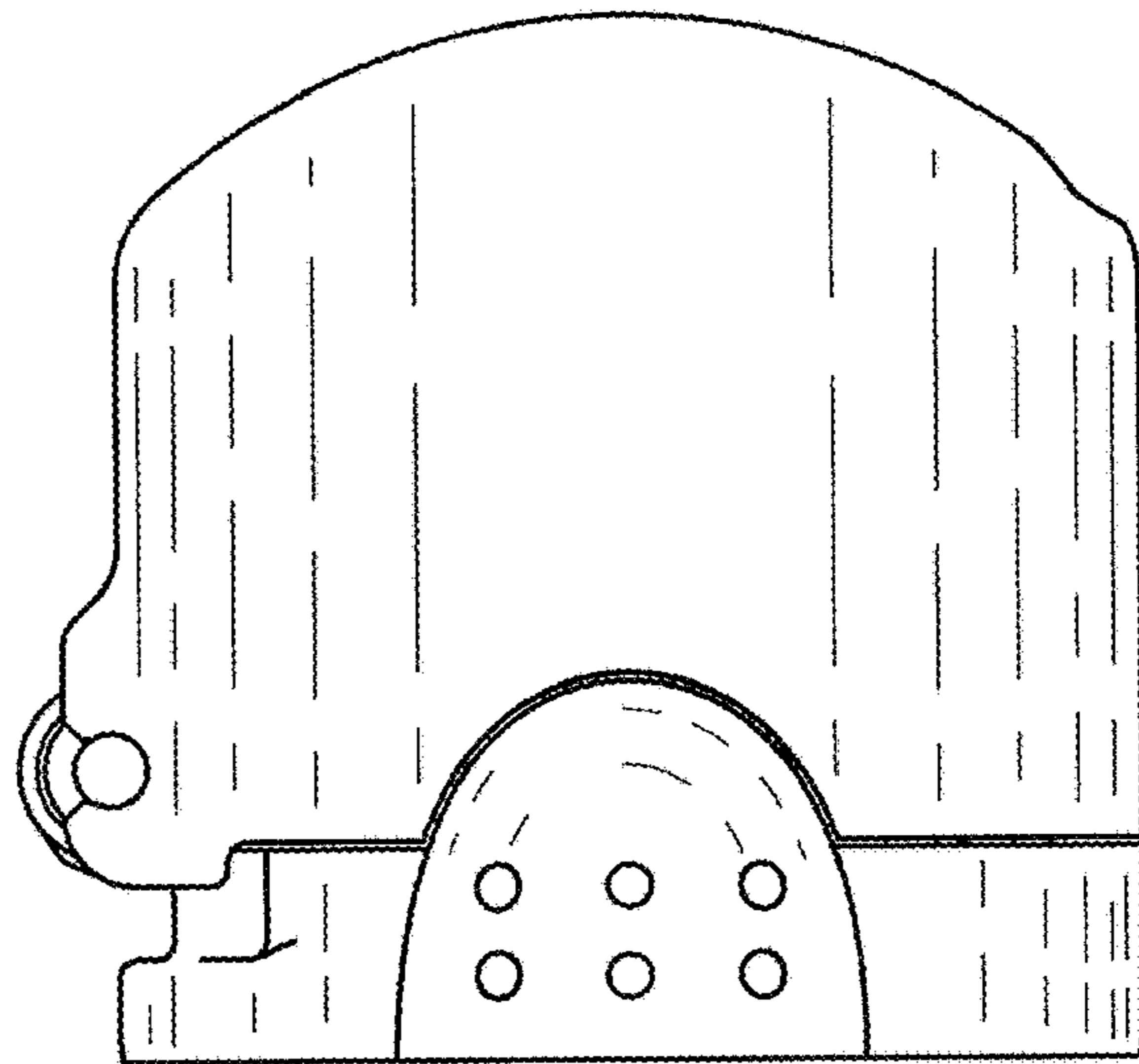
*Fig. 2*



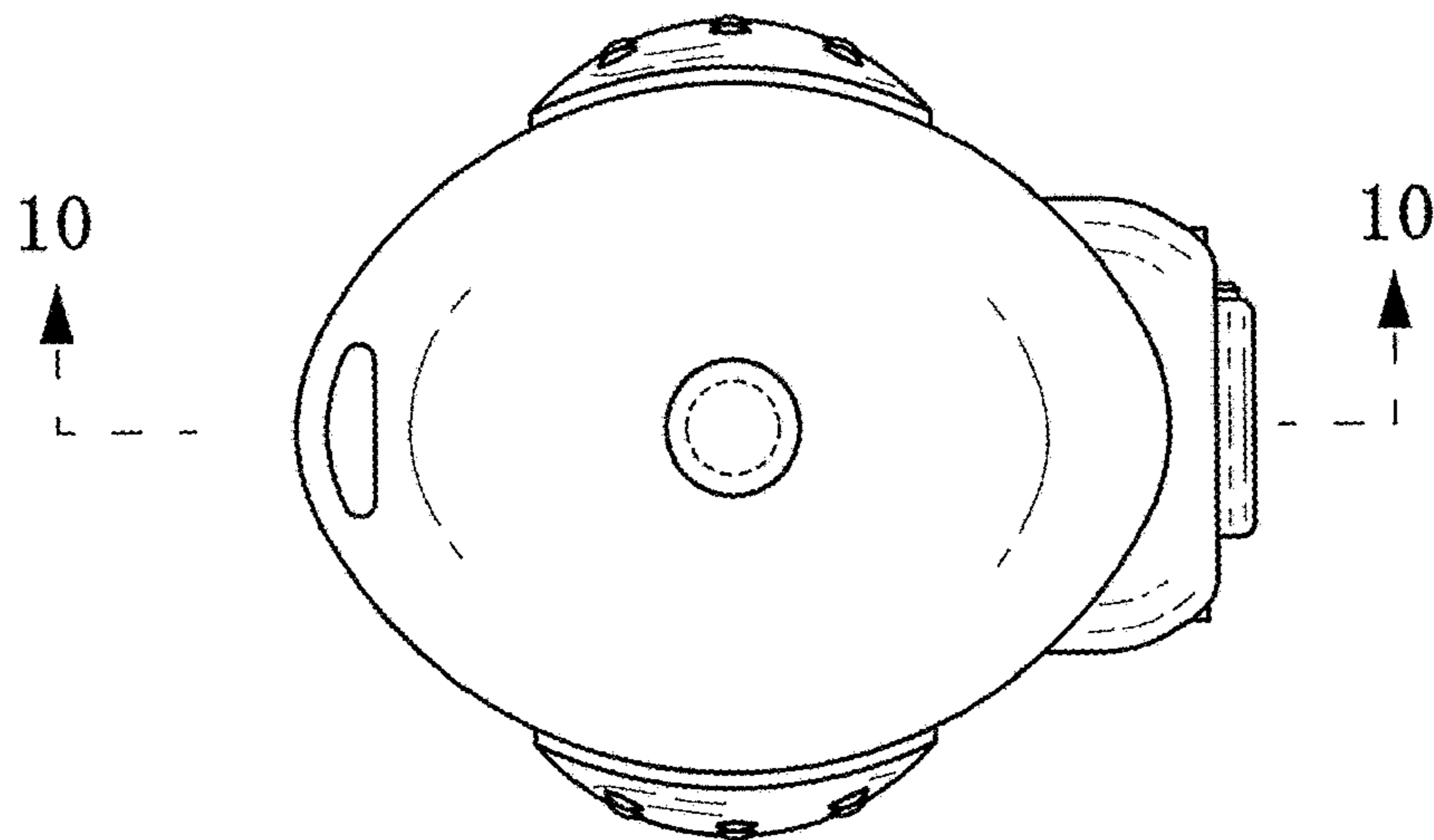
*Fig. 3*



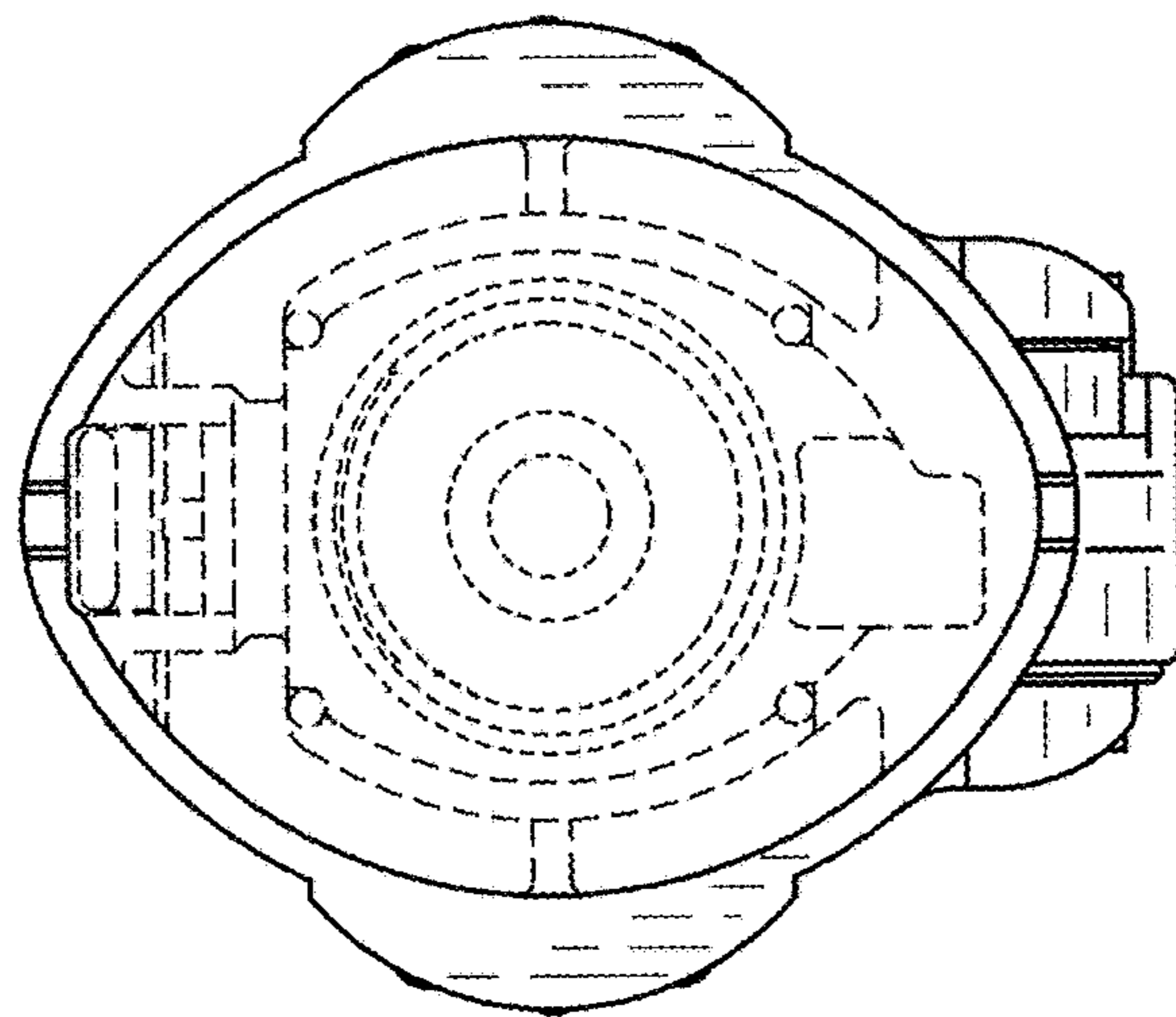
*Fig. 4*



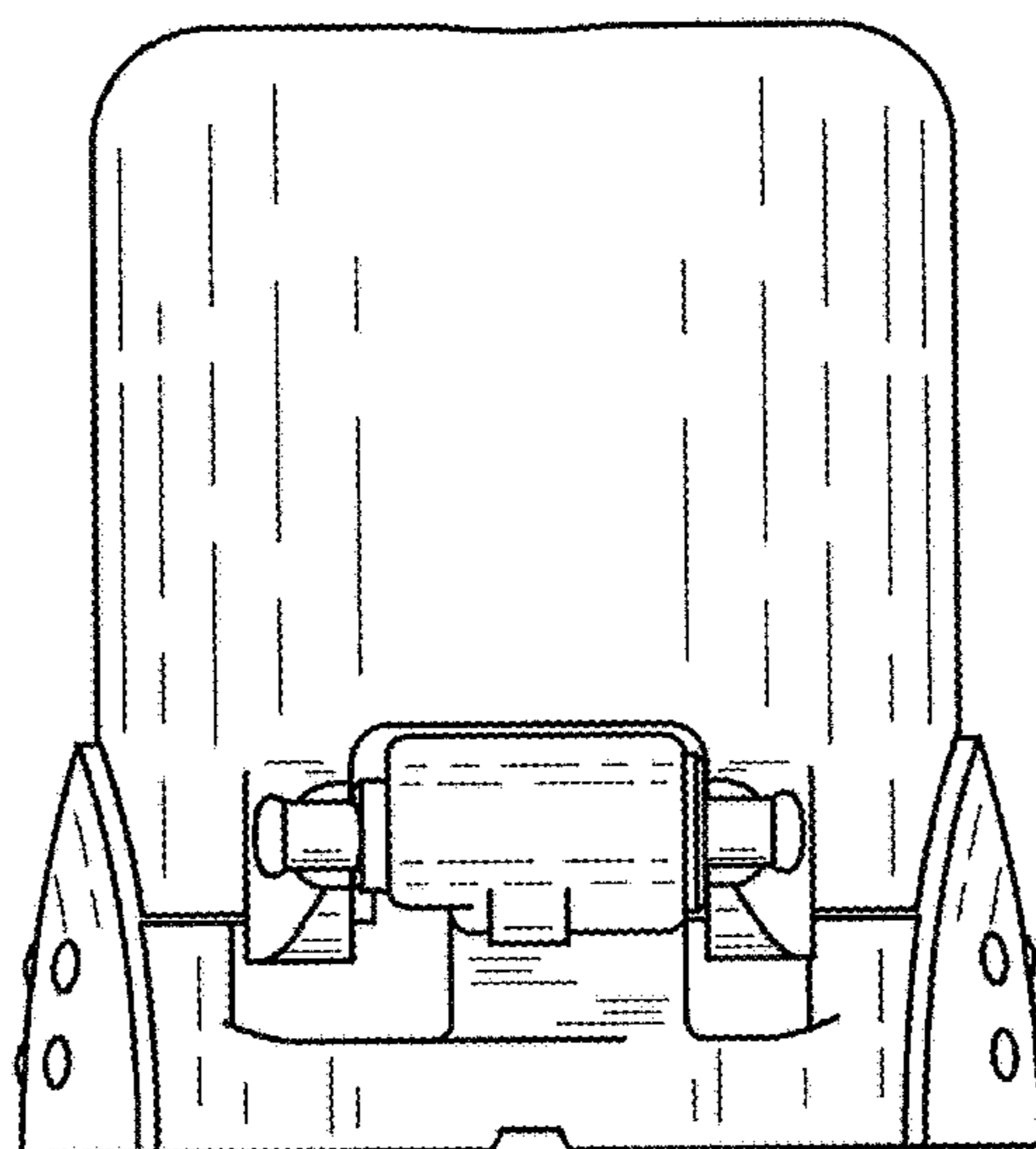
*Fig. 5*



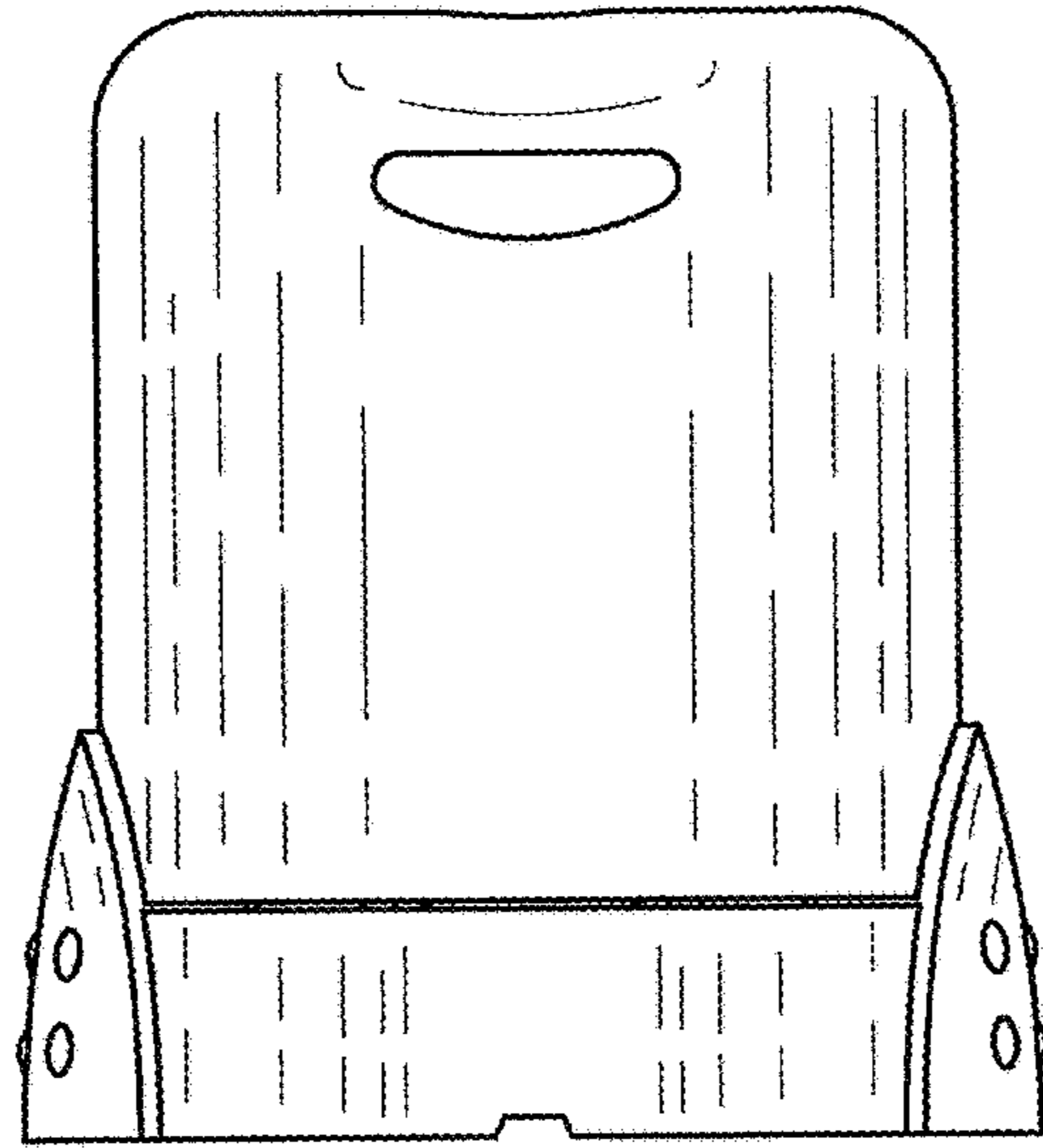
*Fig. 6*



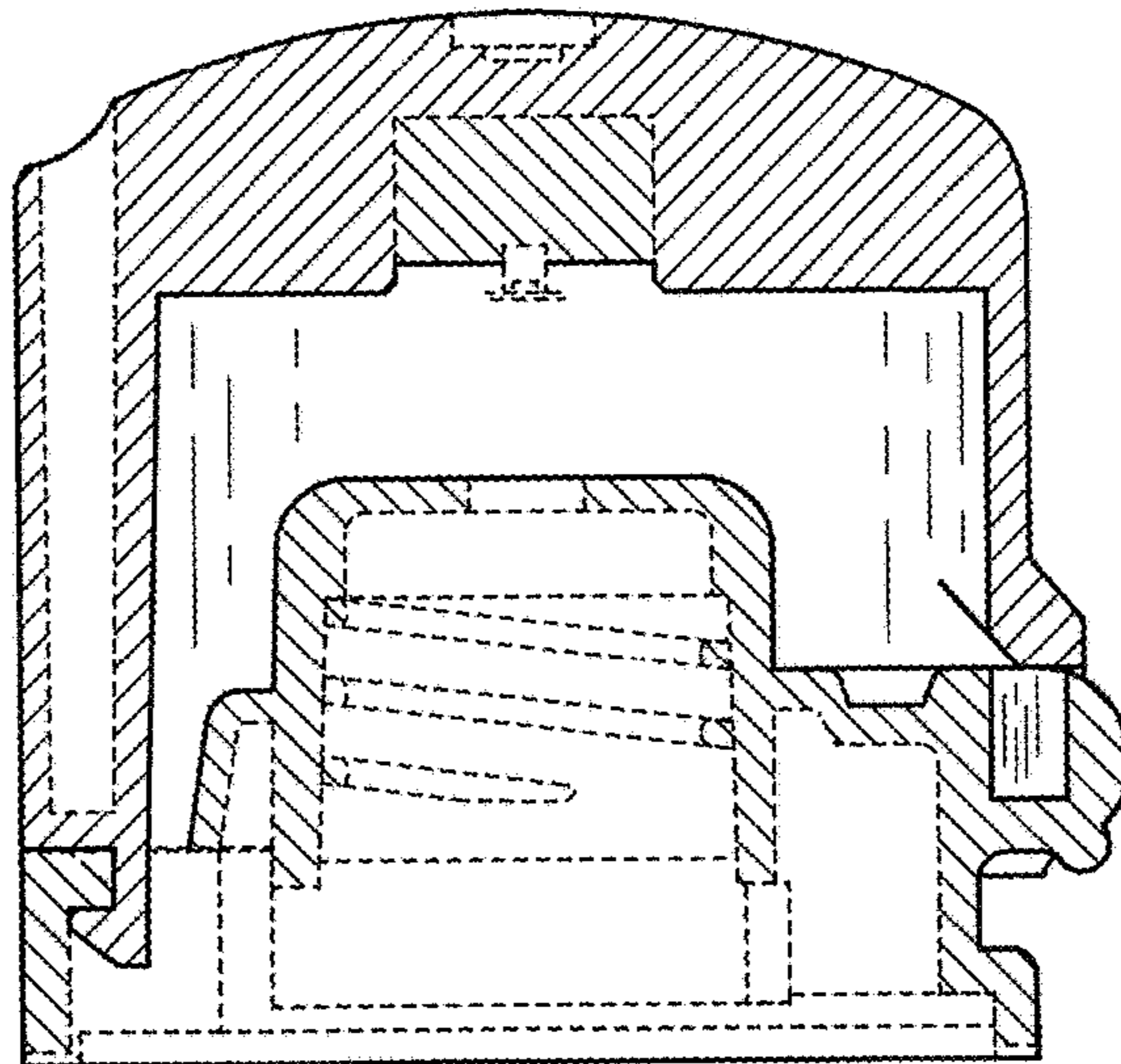
*Fig. 7*



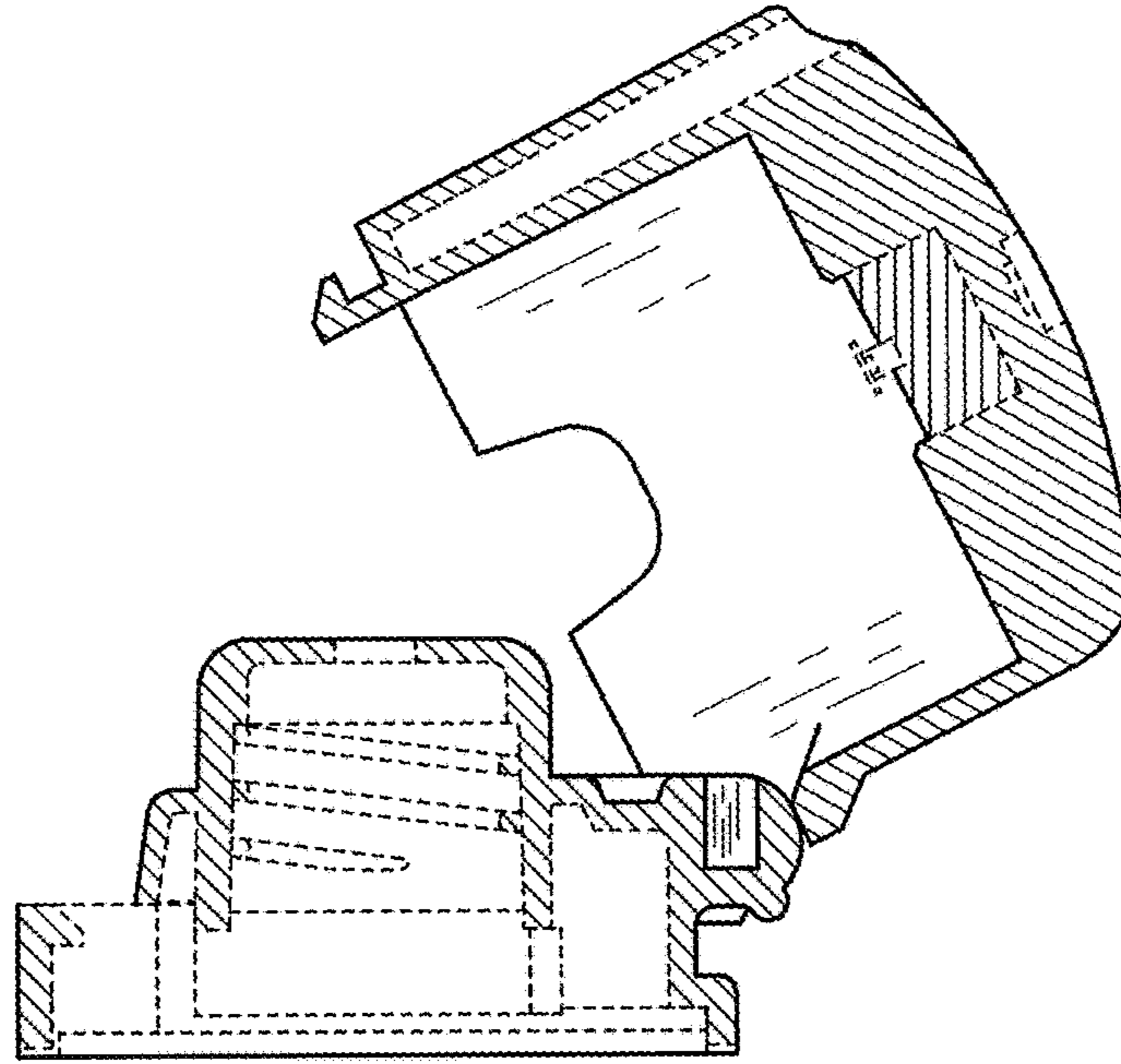
*Fig. 8*



*Fig. 9*



*Fig. 10*



*Fig. 11*