



US00D859150S

(12) **United States Design Patent**  
**Hughes**

(10) **Patent No.:** **US D859,150 S**

(45) **Date of Patent:** **\*\* Sep. 10, 2019**

(54) **CARTON BLANK**

(71) Applicant: **AVERY DENNISON RETAIL INFORMATION SERVICES, LLC**,  
Mentor, OH (US)

(72) Inventor: **Caroline Hughes**, Edwalton (GB)

(73) Assignee: **AVERY DENNISON RETAIL INFORMATION SERVICES, LLC**,  
Mentor, OH (US)

(\*\*) Term: **15 Years**

(21) Appl. No.: **29/639,904**

(22) Filed: **Mar. 9, 2018**

(51) **LOC (12) Cl.** ..... **09-03**

(52) **U.S. Cl.**  
USPC ..... **D9/433**

(58) **Field of Classification Search**  
USPC ..... D9/414-423, 430-433, 434, 456, 457,  
D9/711, 713, 721-722, 732; D20/10, 22,  
D20/27, 40, 42; D24/100-104  
CPC ... B65D 5/00; B65D 5/02; B65D 5/18; B65D  
5/20  
See application file for complete search history.

(56) **References Cited**

**U.S. PATENT DOCUMENTS**

- 2,888,185 A \* 5/1959 Porter ..... B65D 5/48014  
229/120.18
- 4,646,959 A \* 3/1987 Sheffer ..... B65D 81/368  
206/457
- D447,938 S \* 9/2001 Tsuruishi ..... D9/415

- D587,998 S \* 3/2009 Kaisanlahti ..... D9/433
- D604,607 S \* 11/2009 Elias ..... D9/433
- D635,852 S \* 4/2011 Jenkins ..... D9/433
- D644,979 S \* 9/2011 Wenrick ..... D12/221
- D693,678 S \* 11/2013 Kanchan ..... D9/432
- D770,276 S \* 11/2016 Bjorsing ..... D9/433
- D786,063 S \* 5/2017 Choi ..... D9/433
- D798,709 S \* 10/2017 Chen ..... D9/433
- D811,217 S \* 2/2018 Susumago ..... D9/432
- D821,196 S \* 6/2018 Doster ..... D9/433
- D833,530 S \* 11/2018 Stafeil ..... D20/22
- 2008/0296358 A1\* 12/2008 Hanna ..... B65D 5/22  
229/128

\* cited by examiner

*Primary Examiner* — Vy N Koenig

(74) *Attorney, Agent, or Firm* — Avery Dennison Retail Information Services, LLC

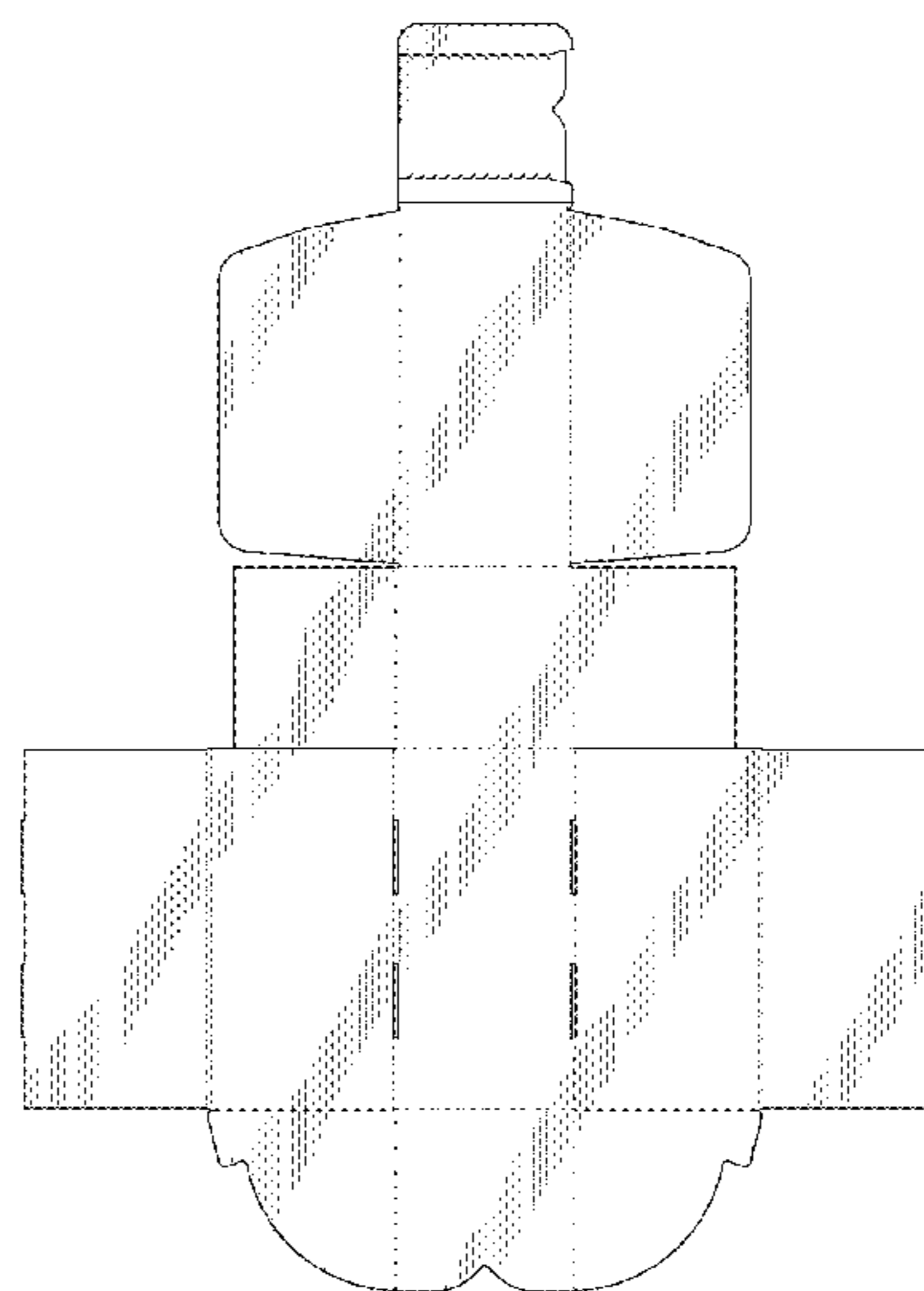
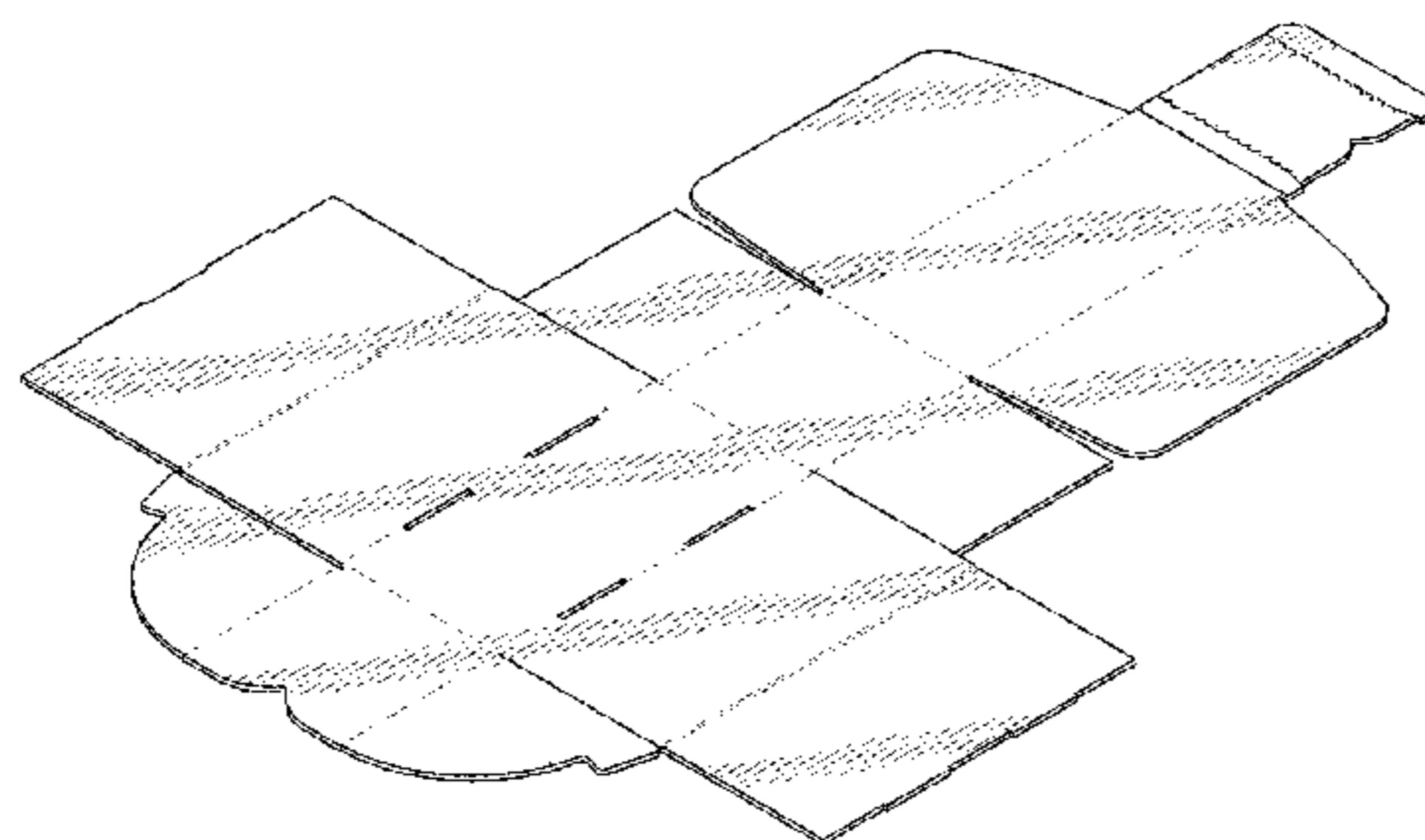
(57) **CLAIM**

The ornamental design for a carton blank, as shown and described.

**DESCRIPTION**

FIG. 1 is an isometric view of a carton blank, showing my design;  
 FIG. 2 is a top view of thereof;  
 FIG. 3 is a bottom view thereof;  
 FIG. 4 is a front view thereof;  
 FIG. 5 is a rear view thereof;  
 FIG. 6 is a left side view thereof; and,  
 FIG. 7 is a right side view thereof.  
 The broken lines in the drawings depict fold lines and form a part of the claimed design.

**1 Claim, 4 Drawing Sheets**



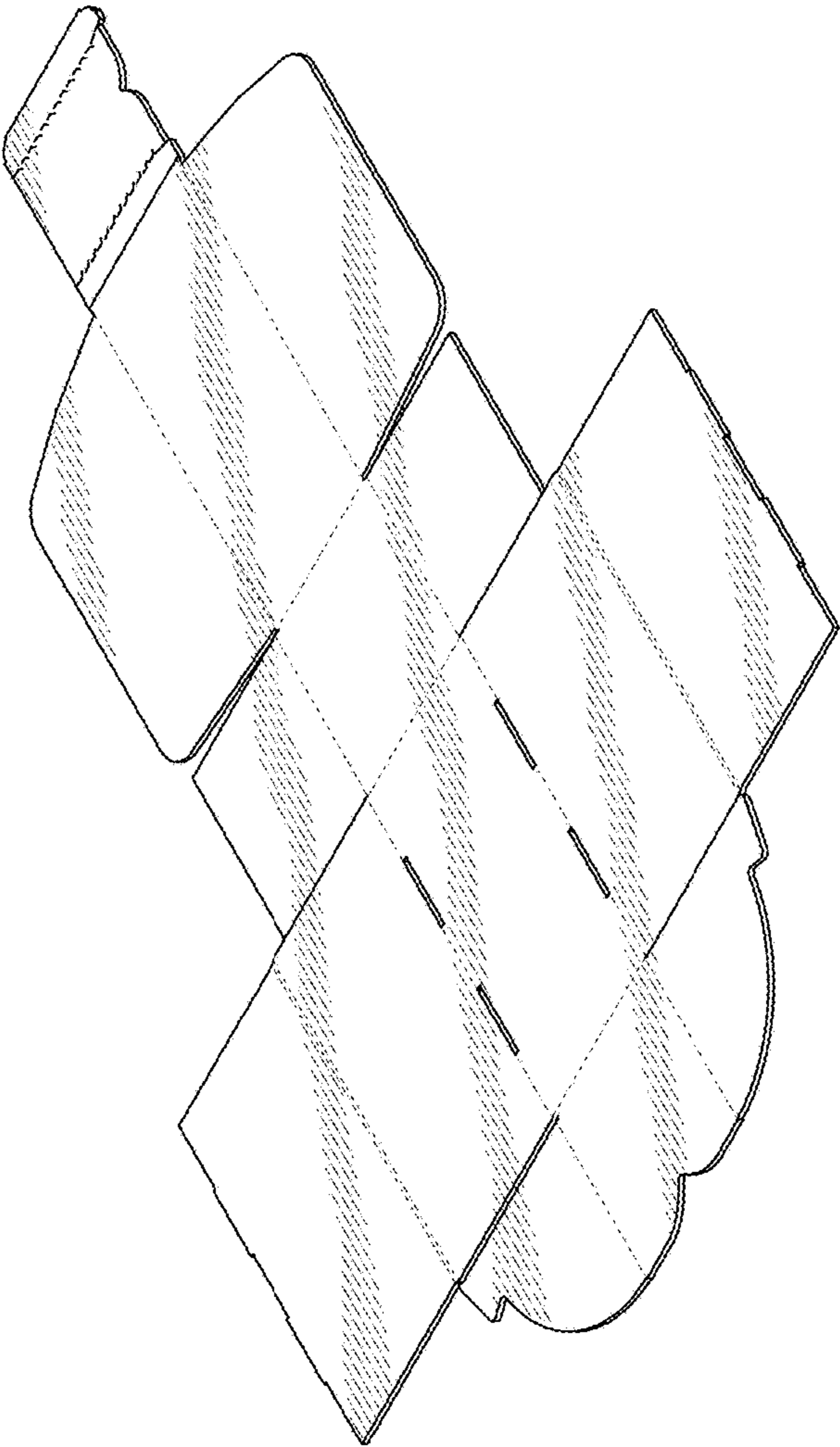


FIG. 1

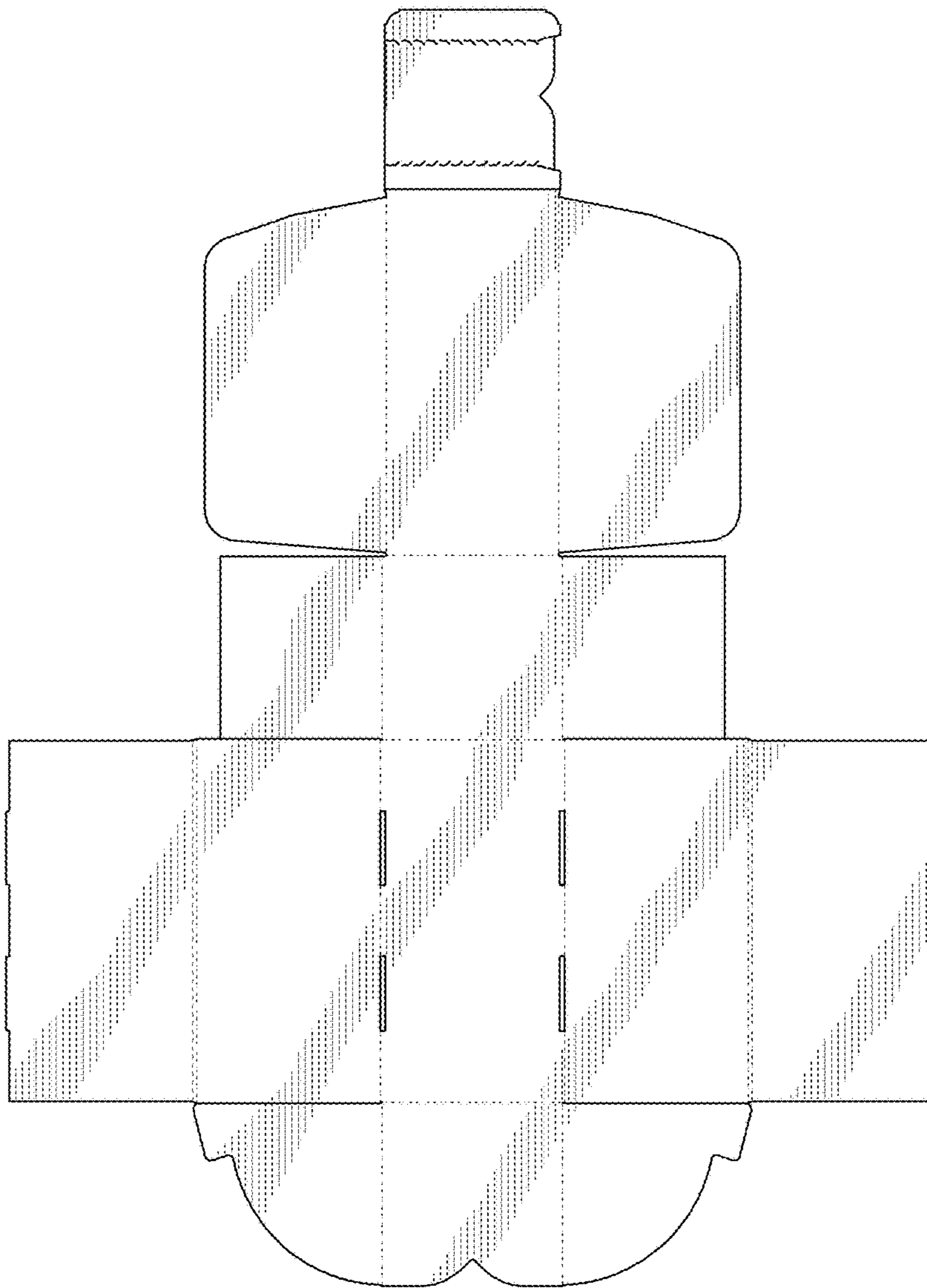


FIG. 2

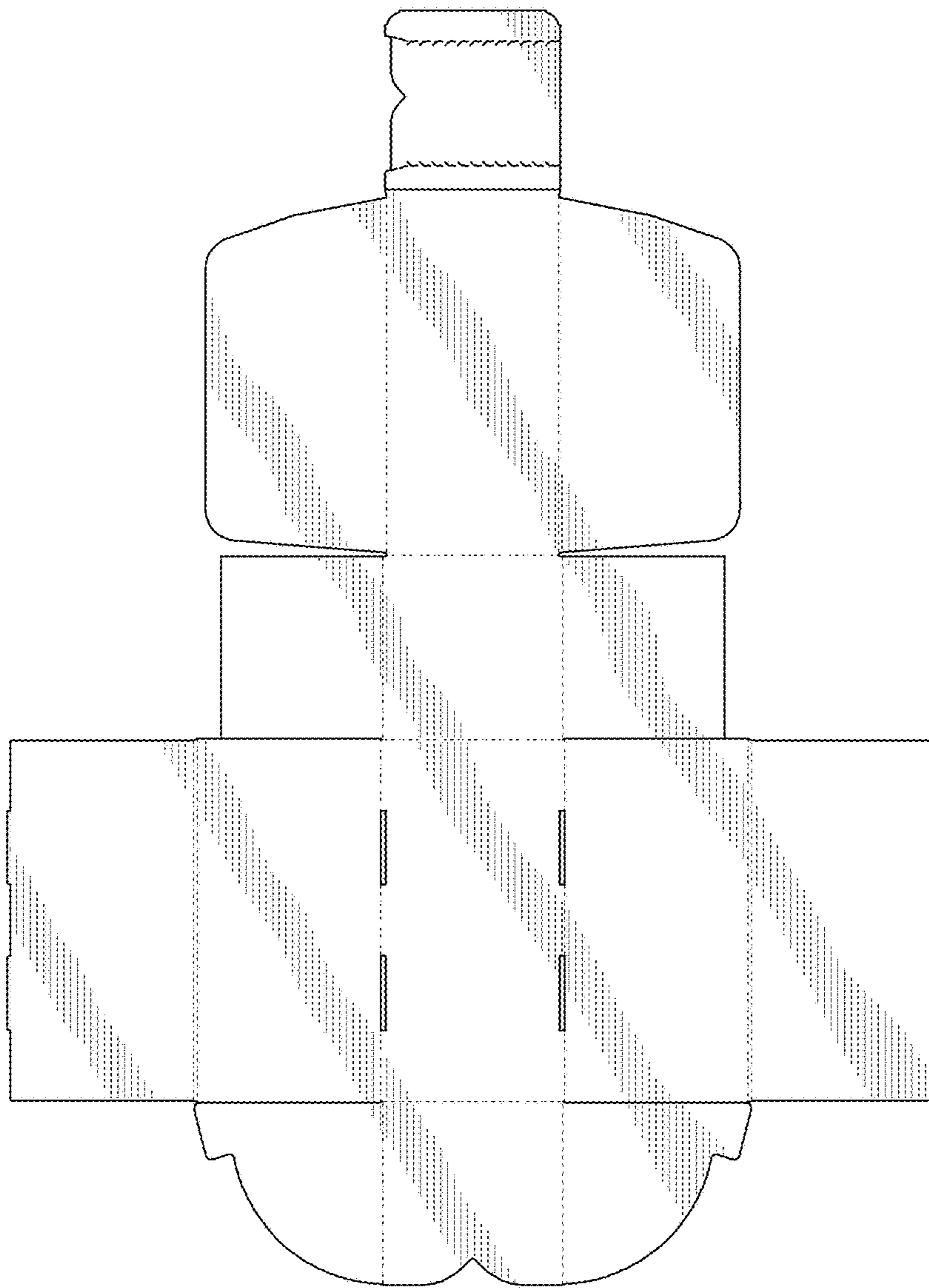


FIG. 3



FIG. 4



FIG. 5



FIG. 6

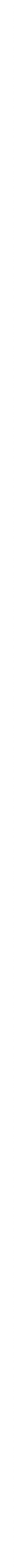


FIG. 7