



US00D859146S

(12) **United States Design Patent**
Georgiou

(10) **Patent No.:** **US D859,146 S**

(45) **Date of Patent:** **** Sep. 10, 2019**

(54) **PACKAGING FOR PUZZLES**

(71) Applicant: **Paragonon Limited**, Middlesex (GB)

(72) Inventor: **Petros Georgiou**, Limassol (CY)

(73) Assignee: **PARAGONON LIMITED**, London (GB)

(**) Term: **15 Years**

(21) Appl. No.: **29/644,978**

(22) Filed: **Apr. 23, 2018**

(30) **Foreign Application Priority Data**

Oct. 24, 2017	(EP)	001461982-0001
Oct. 24, 2017	(EP)	001461990-0001
Oct. 24, 2017	(EP)	004419505-0001
Oct. 24, 2017	(EP)	004419505-0002
Oct. 24, 2017	(EP)	004419505-0003
Oct. 24, 2017	(EP)	004419505-0004

(51) **LOC (12) Cl.** **09-03**

(52) **U.S. Cl.**
USPC **D9/430**

(58) **Field of Classification Search**
USPC D9/414-423, 424-429, 430-432, 433, D9/434, 456, 457, 500, 520, 549, 558, D9/711, 713, 721-722, 772; D20/10, 22, D20/27, 40, 42; D21/478-480
CPC ... B65D 5/00; B65D 5/02; B65D 5/18; B65D 5/20
See application file for complete search history.

(56) **References Cited**

U.S. PATENT DOCUMENTS

2,528,830 A *	11/1950	Iliff	B65D 5/38
				222/484
D390,103 S *	2/1998	Gerson	D24/189

D496,274 S *	9/2004	Egawa	D9/432
D507,484 S *	7/2005	Kumakura	D9/418
D536,965 S *	2/2007	Levy	D9/430
D604,603 S *	11/2009	Kohno	D9/418
D685,264 S *	7/2013	Lal	D9/430
D731,307 S *	6/2015	Short	D9/430
D772,702 S *	11/2016	Hornung	D9/430
D794,443 S *	8/2017	Frick	D9/416
D809,916 S *	2/2018	Thompson	D9/432
D829,094 S *	9/2018	Kang	D9/432

OTHER PUBLICATIONS

Rombi Puzzles. [online] Published on Aug. 8, 2018. Retrieved Feb. 19, 2019 from URL: <https://rombipuzzle.com/>.*

* cited by examiner

Primary Examiner — Vy N Koenig
(74) *Attorney, Agent, or Firm* — Perry Hoffman

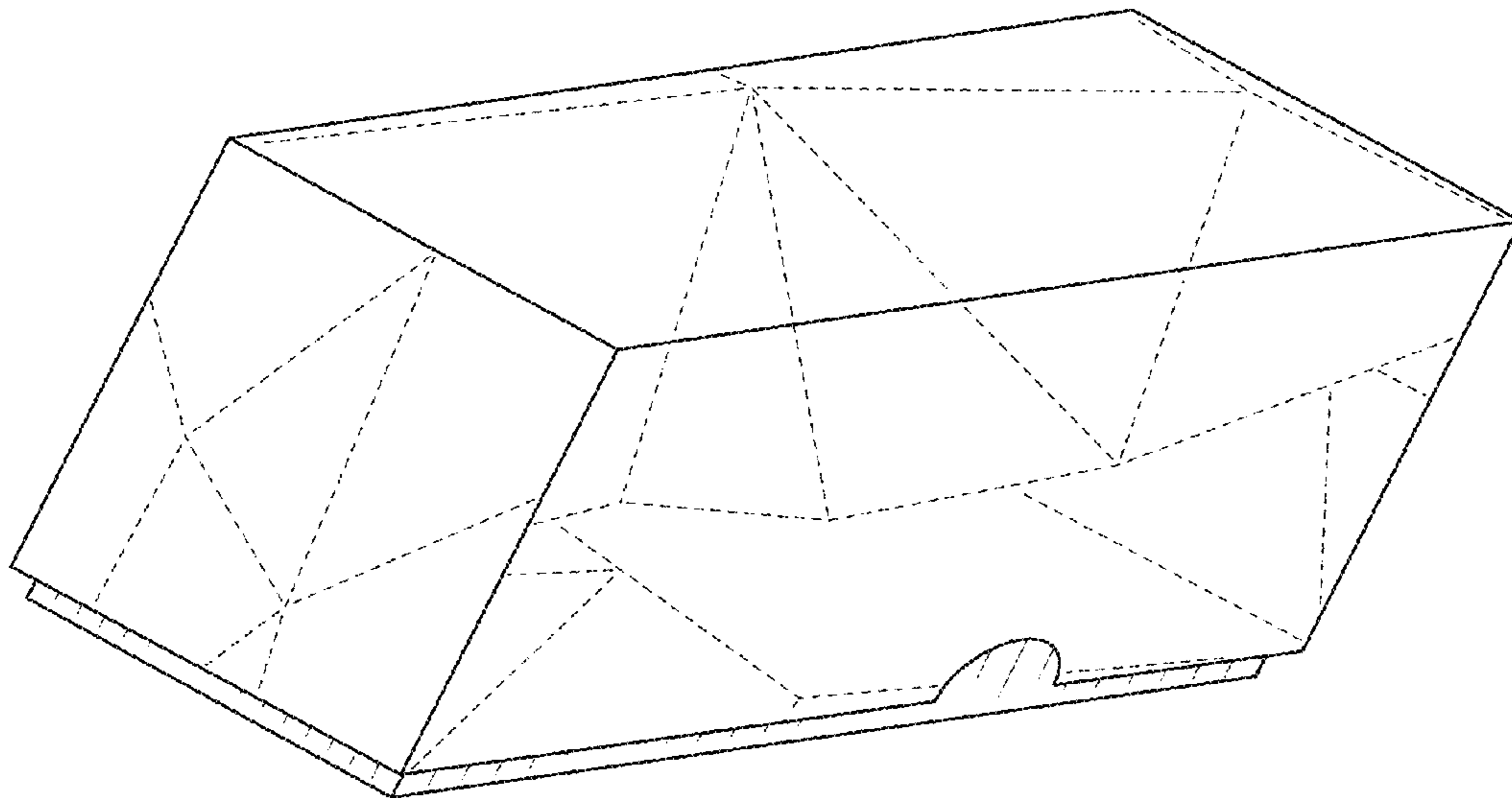
(57) **CLAIM**

The ornamental design for a packaging for puzzles as shown and described.

DESCRIPTION

FIG. 1 is a front perspective view of the packaging for puzzles of the instant invention;
FIG. 2 is a front elevational view thereof;
FIG. 3 is a rear elevational view thereof;
FIG. 4 is a left side elevational view thereof;
FIG. 5 is a right side elevational view thereof;
FIG. 6 is a top view thereof; and,
FIG. 7 is a bottom view thereof.
The broken lines shown are included for the purpose of illustrating the unclaimed portions of the article and form no part of the claimed design.

1 Claim, 4 Drawing Sheets



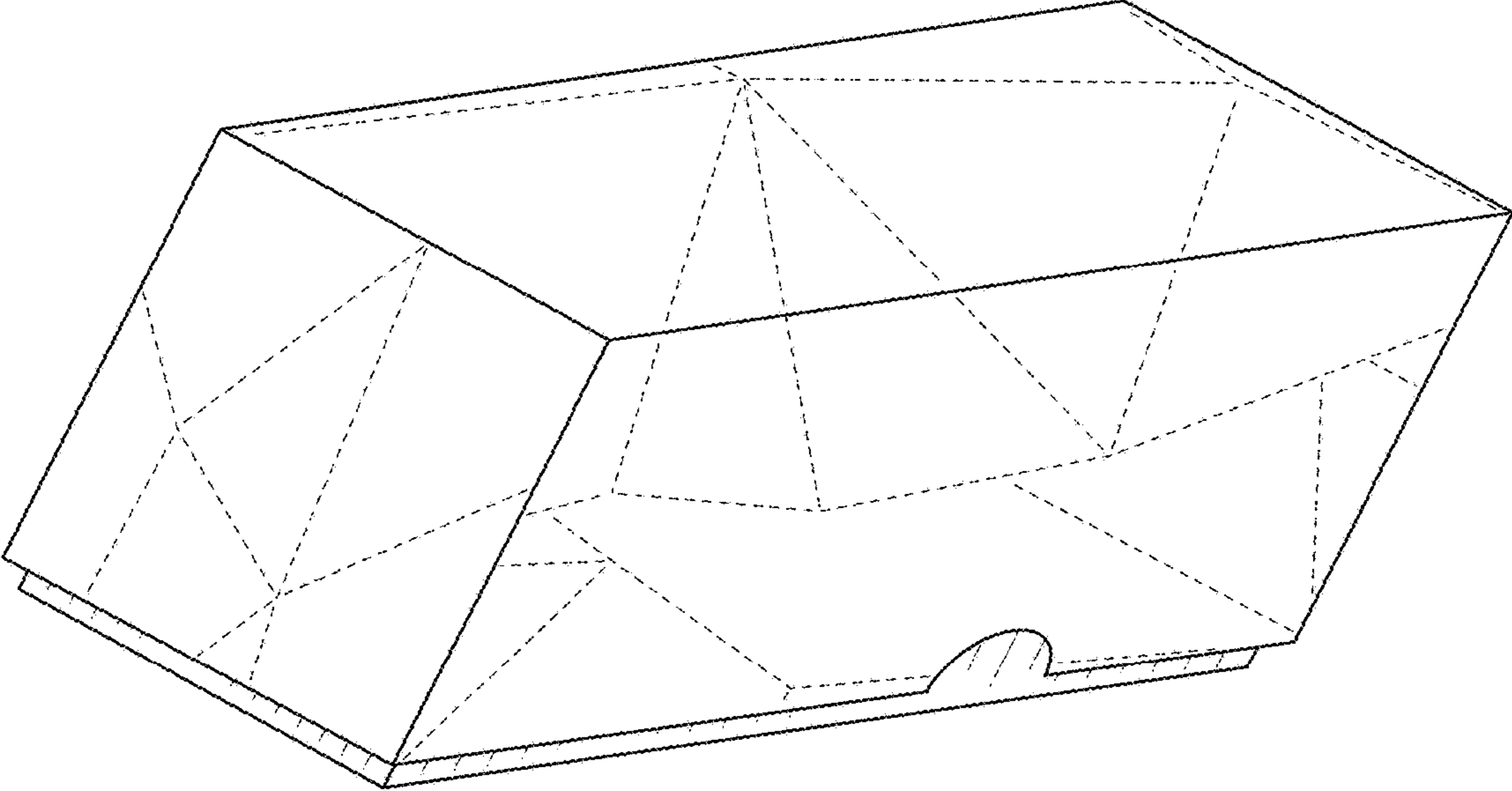


FIG. 1

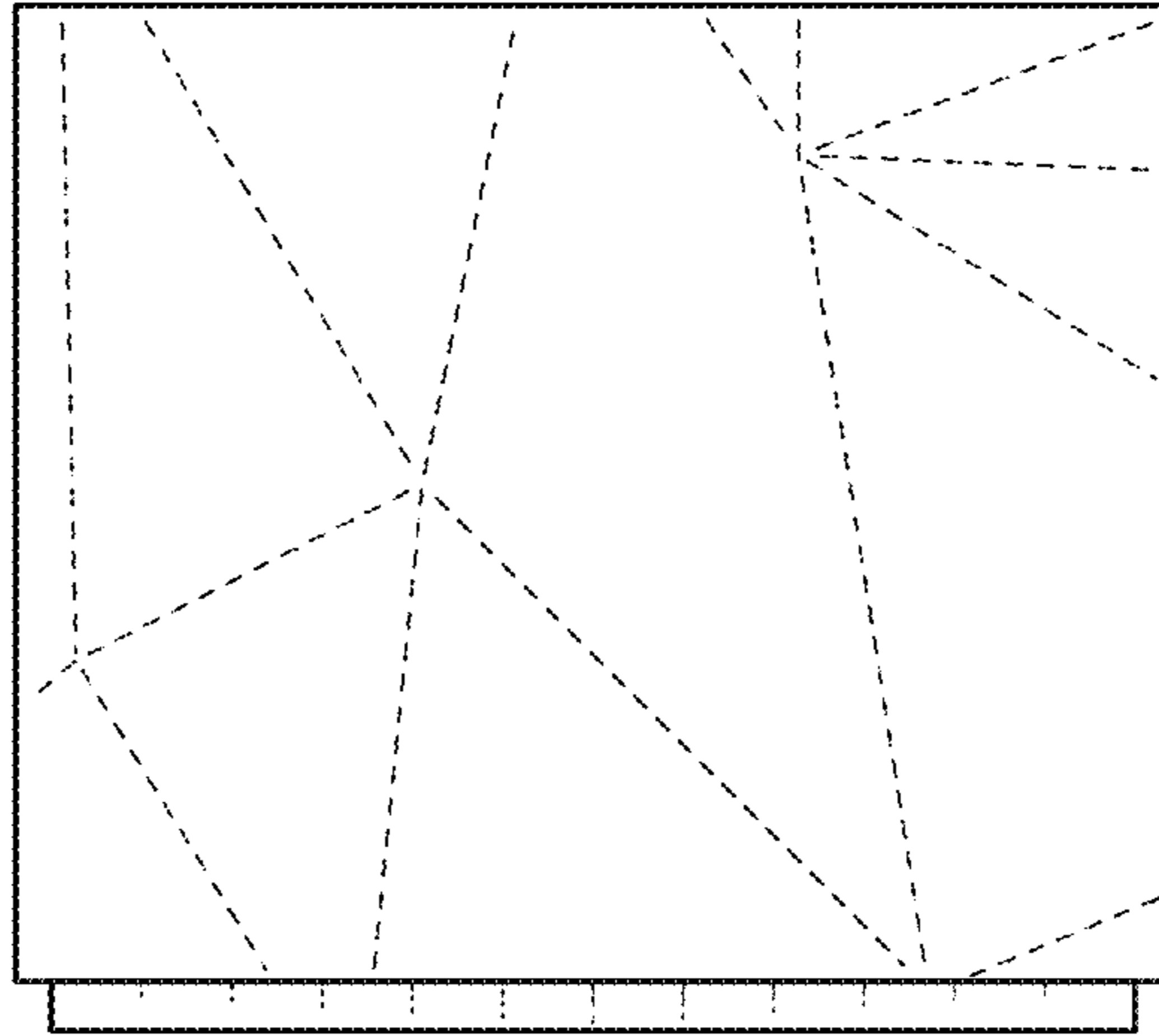


FIG. 2

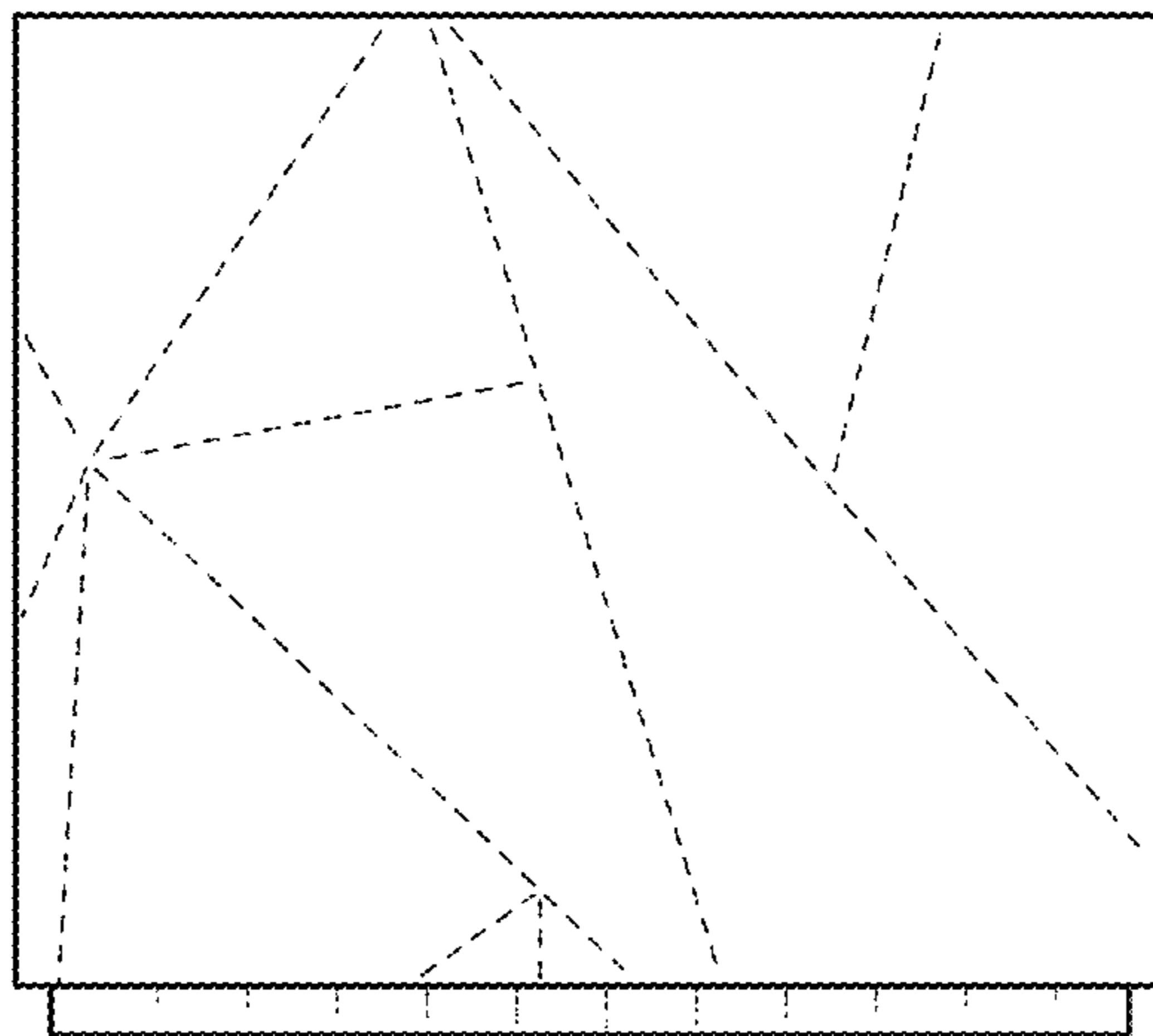


FIG. 3

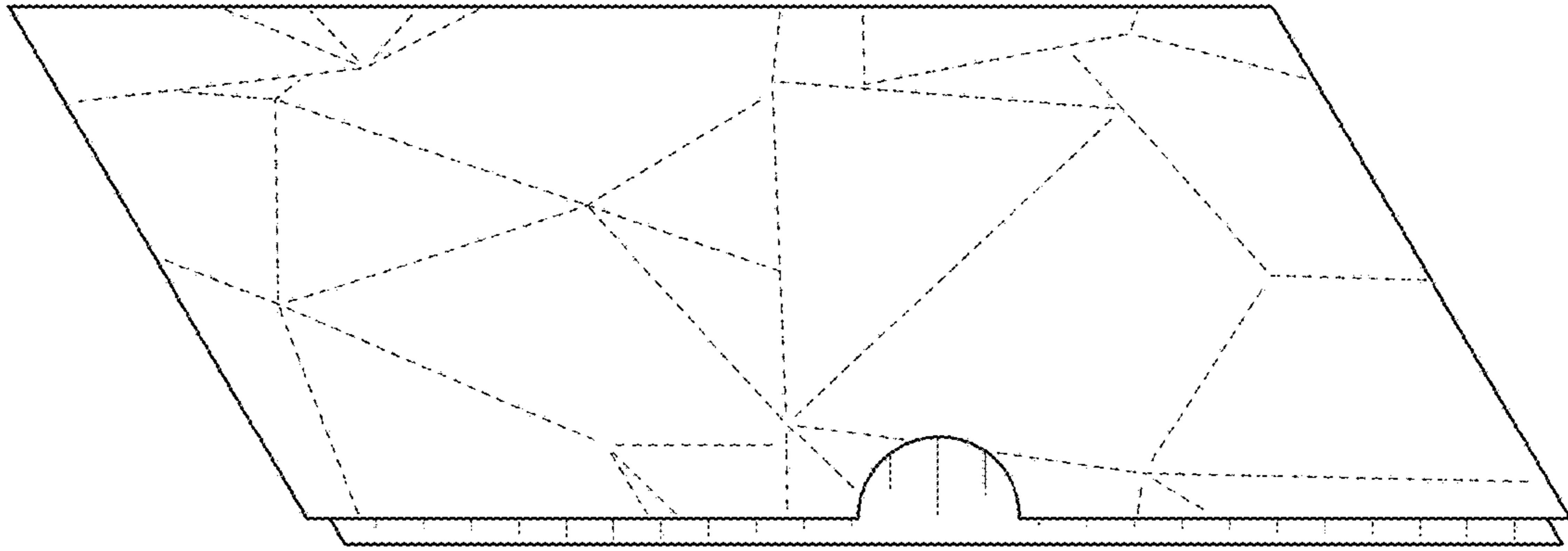


FIG. 4

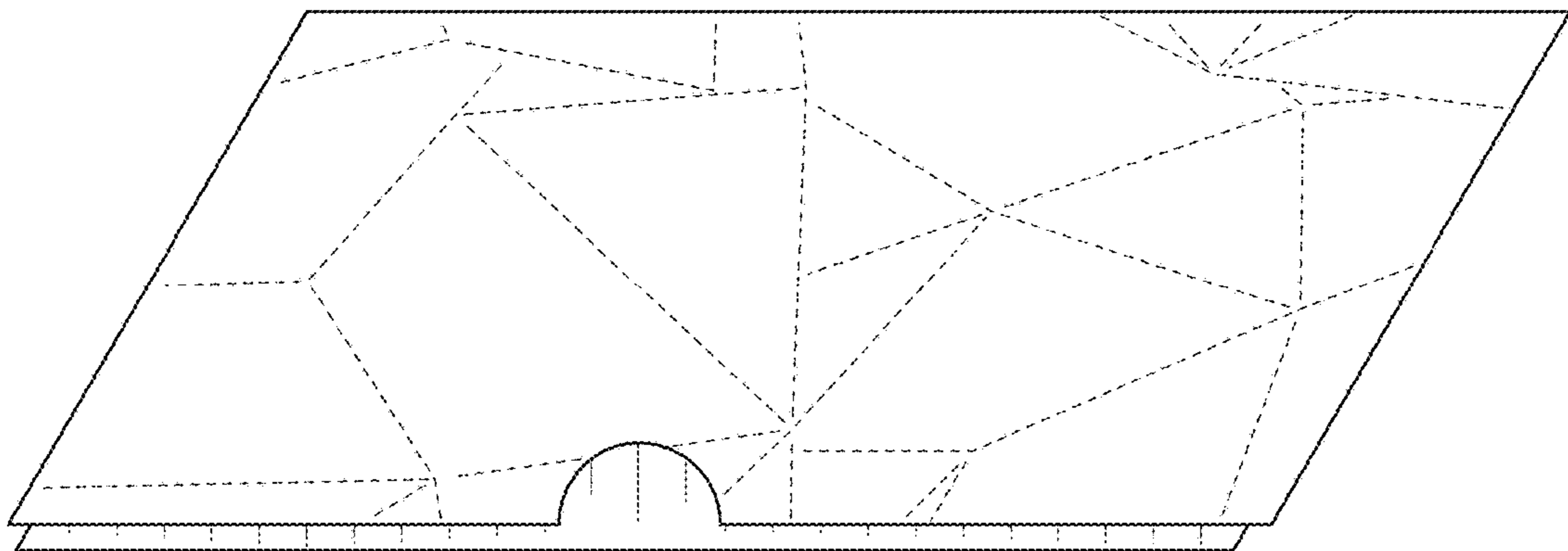


FIG. 5

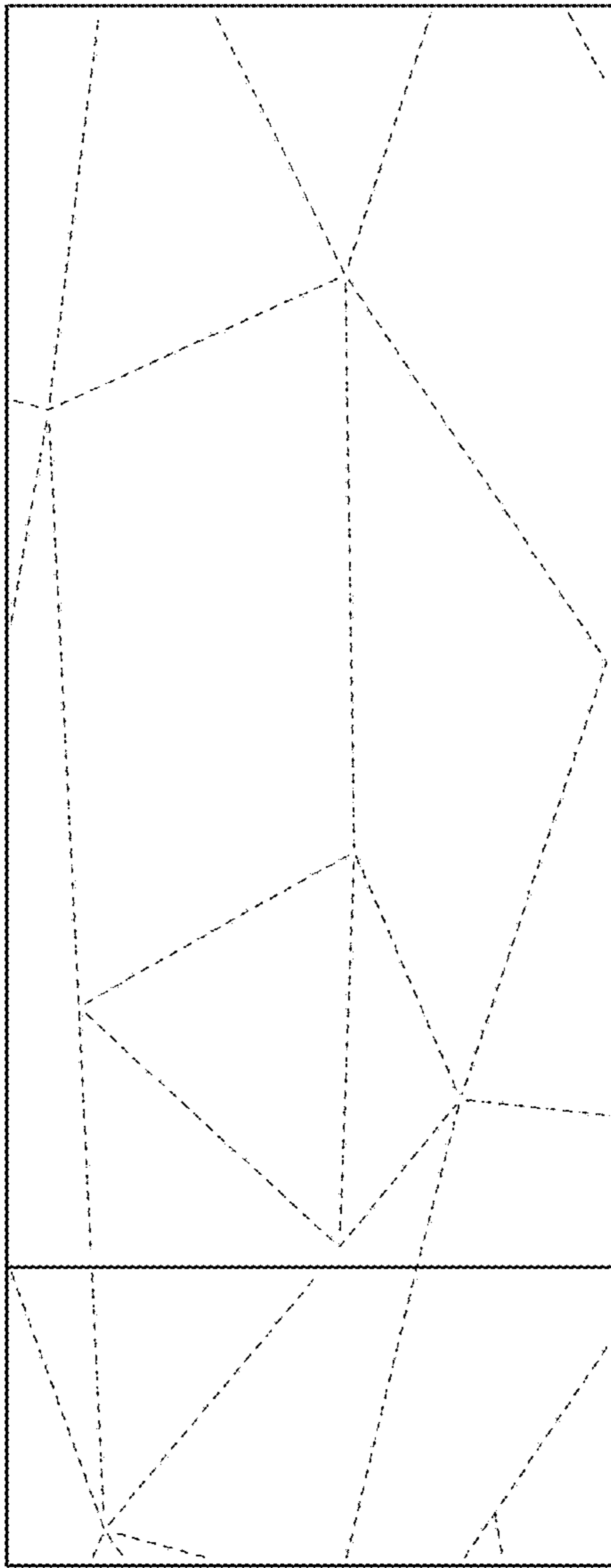


FIG. 6

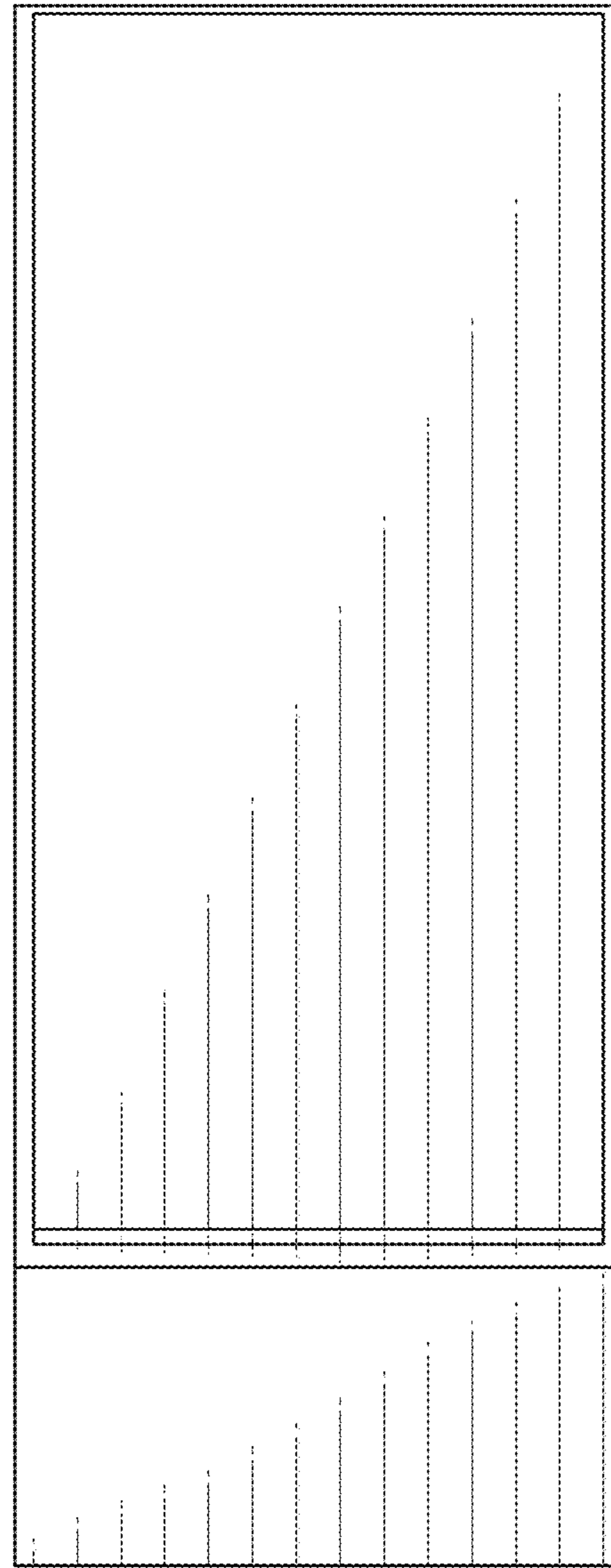


FIG. 7