



US00D859140S

(12) **United States Design Patent** (10) **Patent No.:** **US D859,140 S**
Kovacs (45) **Date of Patent:** **** Sep. 10, 2019**

- (54) **SNOW FENCE CROSS MEMBER**
- (71) Applicant: **PMC Industries, Inc.**, Plainville, CT (US)
- (72) Inventor: **Tamas Kovacs**, Burlington, CT (US)
- (73) Assignee: **PMC Industries, Inc.**, Plainville, CT (US)
- (**) Term: **15 Years**
- (21) Appl. No.: **29/660,830**
- (22) Filed: **Aug. 22, 2018**

D398,029	S	*	9/1998	Falls	D20/44
D433,459	S	*	11/2000	Balchin	D20/44
D473,662	S	*	4/2003	Shaw	D25/119
D512,104	S	*	11/2005	Lowry	D20/44
D549,996	S	*	9/2007	Guiles	D25/119
D584,025	S	*	12/2008	Santacapita	D34/29
D750,544	S	*	3/2016	Burhanidust	D12/223
D751,024	S	*	3/2016	Burhanidust	D12/223
D754,543	S	*	4/2016	Donadee	D20/44
D763,670	S	*	8/2016	Monsees	D8/382
D777,467	S	*	1/2017	White	D6/512
D802,799	S	*	11/2017	Walker	D25/121
9,850,661	B2	*	12/2017	Kovacs	E04D 13/10
9,973,142	B2	*	5/2018	Stearns	H02S 40/12
D824,045	S	*	7/2018	Singh	D25/119
D835,980	S	*	12/2018	Kovacs	D8/499
D847,381	S	*	4/2019	Ksiezopolski	D25/119
2017/0073974	A1	*	3/2017	Kovacs	E04D 13/10
2018/0119425	A1	*	5/2018	Kovacs	F24S 25/33
2019/0169851	A1	*	6/2019	Kovacs	E04D 13/10

Related U.S. Application Data

- (60) Division of application No. 35/001,332, filed on Mar. 1, 2017 (U.S. filing date under 35 U.S.C. 384), and having an international filing date of Mar. 1, 2017, now Pat. No. Des. 835,980, which is a continuation of application No. 15/254,892, filed on Sep. 1, 2016, now Pat. No. 9,850,661.

- (51) **LOC (12) Cl.** **08-99**
- (52) **U.S. Cl.**
USPC **D8/499**; D25/119
- (58) **Field of Classification Search**
USPC D8/499; D25/52, 119-125, 131-137, D25/164, 199; D12/223, 400; D34/29, D34/35
CPC E04D 13/0641; E04D 13/064; E04D 13/0725
See application file for complete search history.

(56) **References Cited**

U.S. PATENT DOCUMENTS

- D327,746 S * 7/1992 Valentin D25/124
- D359,149 S * 6/1995 Nozaki D34/29

* cited by examiner

Primary Examiner — Janice Hallmark
Assistant Examiner — Harold E Blackwell, II
 (74) *Attorney, Agent, or Firm* — Wasserbauer Law LLC;
 Damian Wasserbauer, Esquire

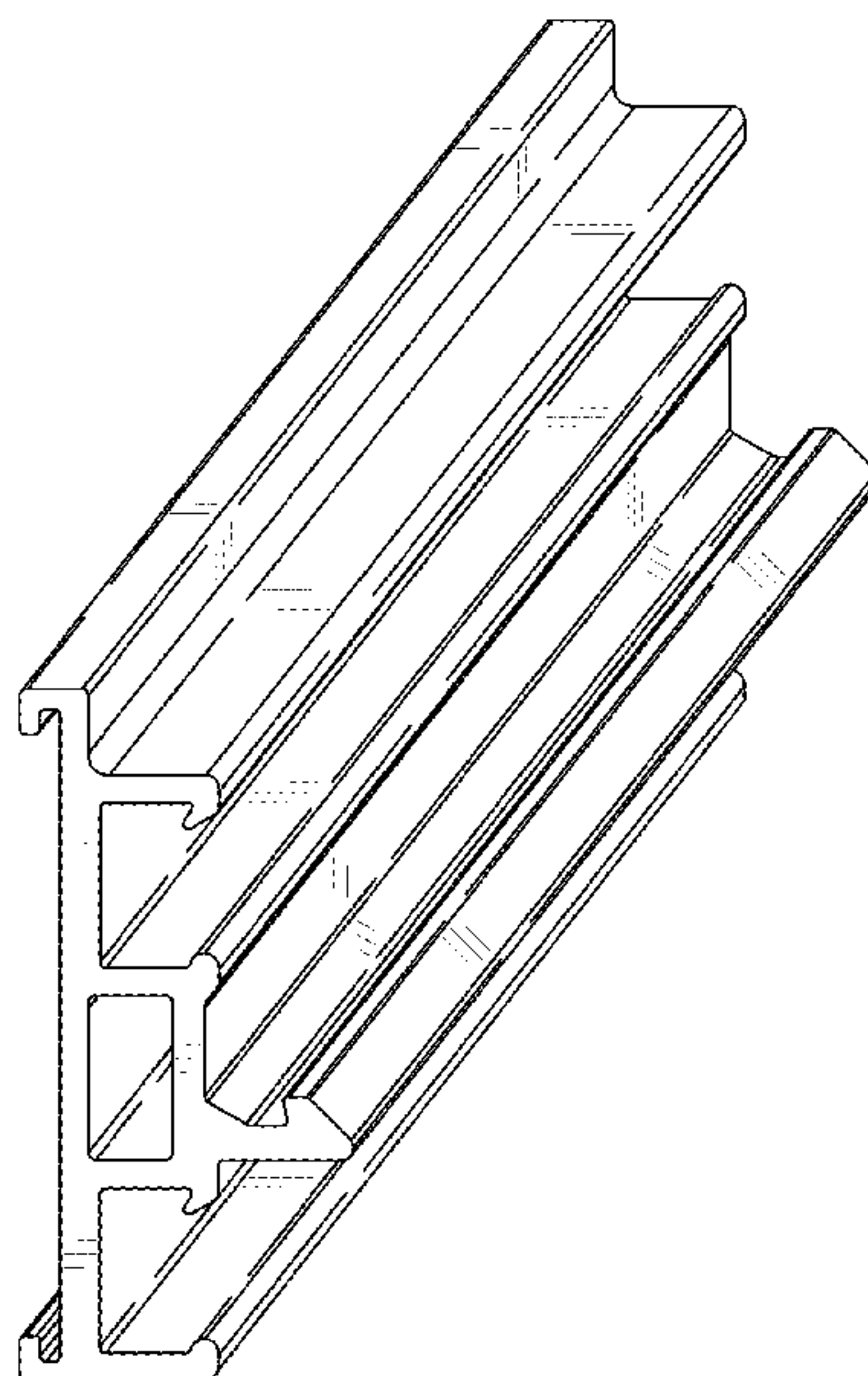
(57) **CLAIM**

The ornamental design for snow fence cross member, as shown and described.

DESCRIPTION

FIG. 1 is a perspective view of the snow fence cross member of the present invention;
 FIG. 2 is a front view thereof;
 FIG. 3 is a back view thereof;
 FIG. 4 is a top view thereof;
 FIG. 5 is a bottom view thereof; and,
 FIG. 6 is a left side view thereof the right side view is a mirror image of the left side view.

1 Claim, 6 Drawing Sheets



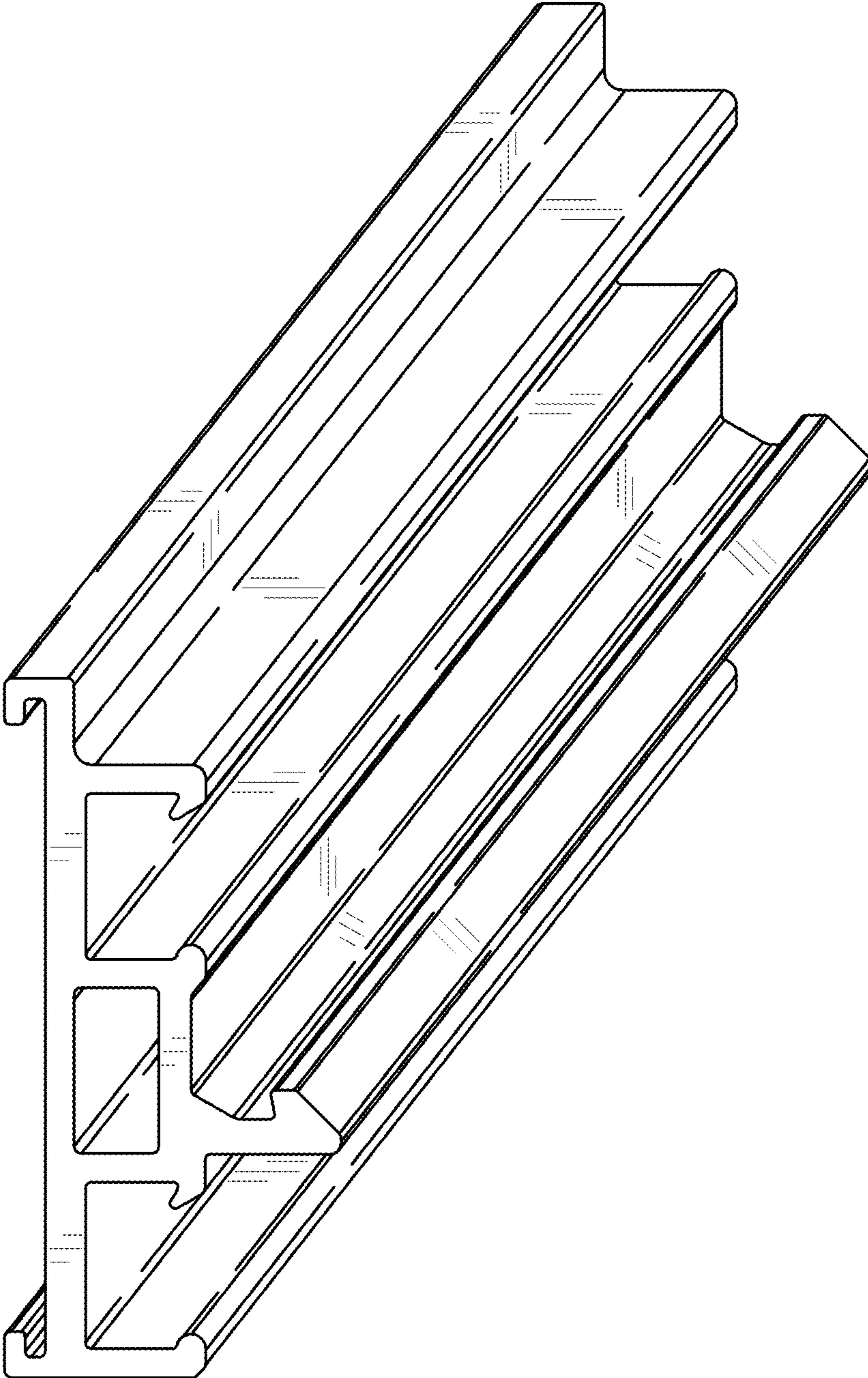


FIG. 1

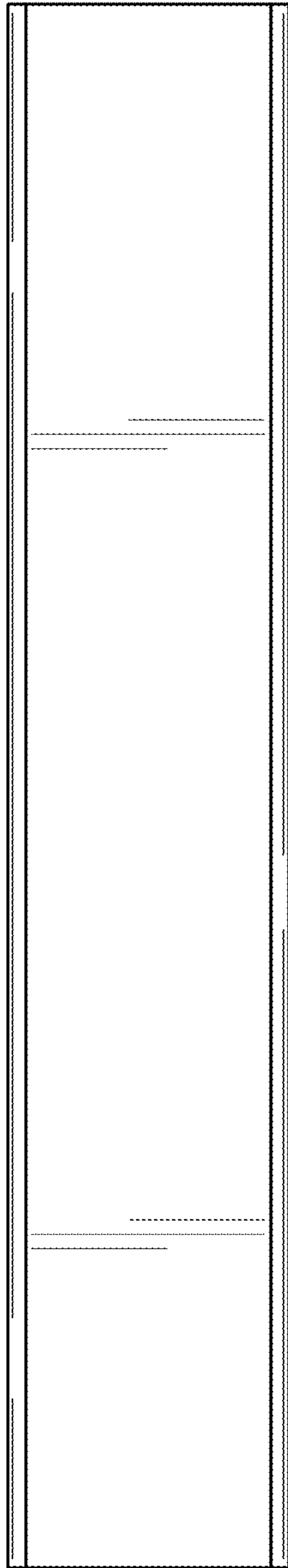


FIG. 2

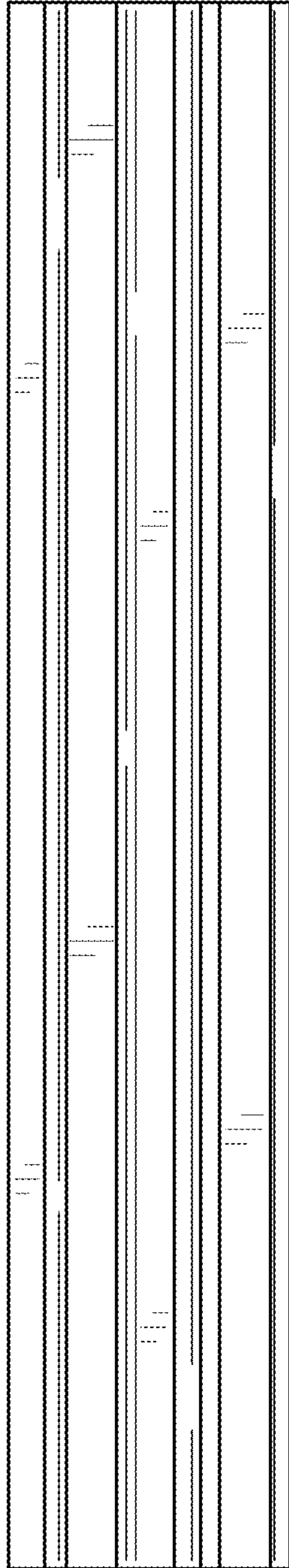


FIG. 3

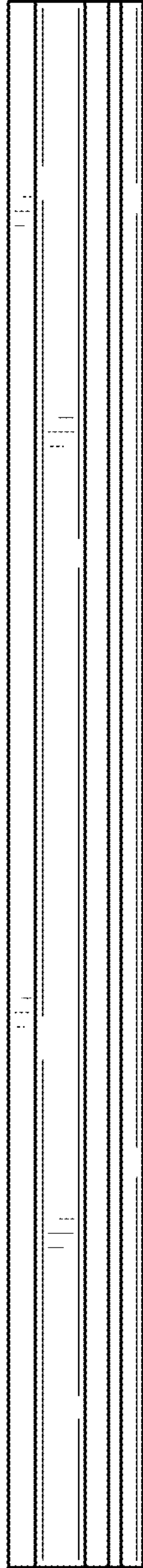


FIG. 4

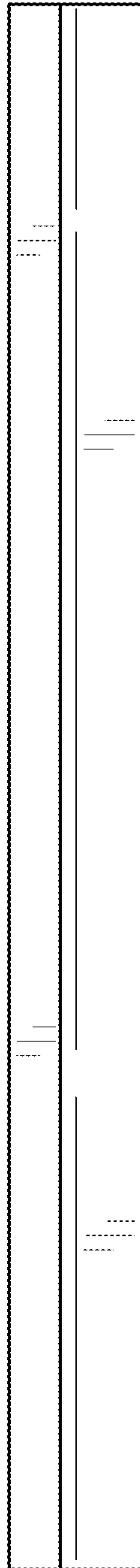


FIG. 5

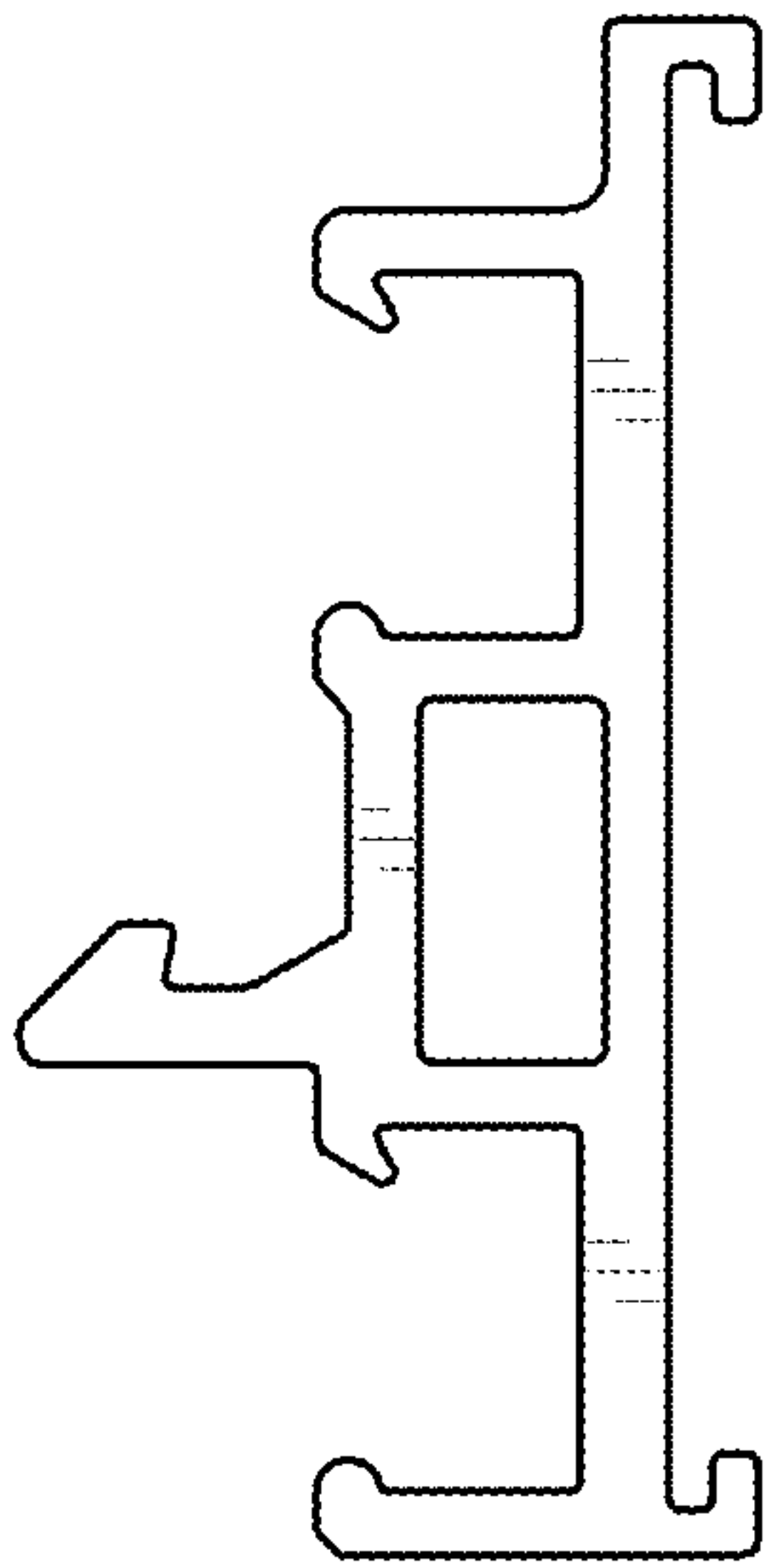


FIG. 6