



US00D859139S

(12) **United States Design Patent** (10) **Patent No.:** **US D859,139 S**
Hill (45) **Date of Patent:** **** Sep. 10, 2019**

(54) **CLAMPING TOOL**
(71) Applicant: **Terrance M. Hill**, Spring Hill, FL (US)
(72) Inventor: **Terrance M. Hill**, Spring Hill, FL (US)
(**) Term: **15 Years**
(21) Appl. No.: **29/683,113**
(22) Filed: **Mar. 11, 2019**

Related U.S. Application Data

(62) Division of application No. 29/654,918, filed on Jun. 28, 2018, now Pat. No. Des. 846,376.
(51) **LOC (12) Cl.** **08-08**
(52) **U.S. Cl.**
USPC **D8/394**
(58) **Field of Classification Search**
USPC D7/683, 686, 653; D8/14, 21, 33, 44, 71,
D8/72, 82, 83, 86, 384, 394, 395, 499
CPC B65D 35/28; B65D 35/24; B25C 11/00;
B25B 9/02; B25B 13/56; B25B 23/10;
B25B 23/16
See application file for complete search history.

(56) **References Cited**

U.S. PATENT DOCUMENTS

D103,245 S * 2/1937 McPherson et al. D8/83
2,788,816 A * 4/1957 Dargols B25B 13/56
7/165
D220,377 S * 4/1971 Benfer et al. D8/14
D239,430 S * 4/1976 Niconchuck et al. D8/31
4,012,068 A * 3/1977 Apodaca B25B 9/02
294/33
4,026,521 A * 5/1977 Clark B25C 11/00
254/28
D258,940 S * 4/1981 Zelinski D10/46
D275,446 S * 9/1984 McSwain D8/21
D279,314 S * 6/1985 Ishida D24/129
D296,361 S * 6/1988 Gerich D24/143

D313,914 S * 1/1991 Tribbey D6/541
D314,497 S * 2/1991 Symiczek D8/14
D327,166 S * 6/1992 Barker D26/38
5,167,348 A * 12/1992 Okami B65D 35/28
222/102
D338,124 S * 8/1993 Eatherly D6/541
D341,050 S * 11/1993 Waffensmith D6/541
D348,810 S * 7/1994 Johnson D8/14
D353,293 S * 12/1994 Planchon D6/541
D356,001 S * 3/1995 Yarmunilert D6/541
D360,326 S * 7/1995 Fairbanks D6/541
D403,934 S * 1/1999 Girdler D8/27
D417,377 S * 12/1999 Blank D8/72
D442,047 S * 5/2001 Hicks D8/395
D470,700 S * 2/2003 Lai D6/541
D473,443 S * 4/2003 Metcalf D8/107

(Continued)

Primary Examiner — John Windmuller
Assistant Examiner — Steven J Czyn
(74) *Attorney, Agent, or Firm* — Smith & Hopen, P.A.;
Paul Murty

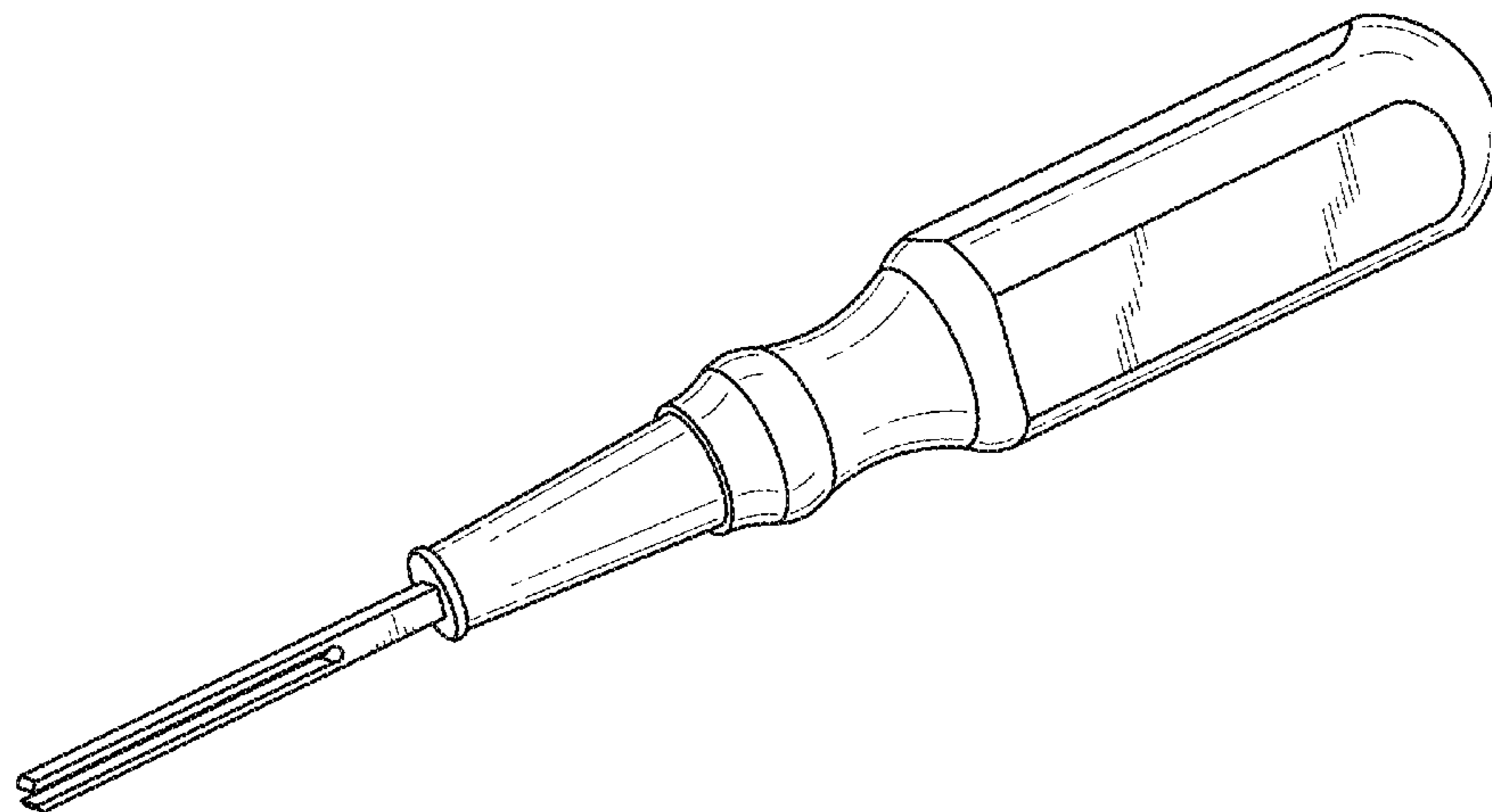
(57) **CLAIM**

The ornamental design for a clamping tool, as shown and described.

DESCRIPTION

FIG. 1 is a side perspective view of a clamping tool.
FIG. 2 is a side elevation view thereof.
FIG. 3 is a side elevation thereof.
FIG. 4 is a top plan view thereof.
FIG. 5 is a bottom plan view thereof.
FIG. 6 is a rear elevation view thereof.
FIG. 7 is a front elevation view thereof; and,
FIG. 8 is a top plan view of the clamping tool shown in a position of use applied to a squeezable tube, shown in broken lines.
The subject matter delineated in broken lines illustrating environment forms no part of the claimed design.

1 Claim, 5 Drawing Sheets



(56)

References Cited

U.S. PATENT DOCUMENTS

D506,115 S *	6/2005	King	D8/54
D519,812 S *	5/2006	Weinberg	D8/72
D524,124 S *	7/2006	Tashjian	D7/683
D576,462 S *	9/2008	Panosian	D8/72
D606,860 S *	12/2009	Hill	D9/434
7,954,870 B2 *	6/2011	Chen	B25B 9/02 294/99.2
D641,224 S *	7/2011	Gupta	D8/72
D641,615 S *	7/2011	Lin	D8/394
D694,608 S *	12/2013	Nelson	D8/83
D707,545 S *	6/2014	Schopf	D8/394
D708,866 S *	7/2014	Kobayashi	D6/541
D723,347 S *	3/2015	Sundheim	D8/72
D743,757 S *	11/2015	Combs	D8/14
D755,026 S *	5/2016	Kim	D8/21
D793,835 S *	8/2017	Cerezo Lotina	D8/72
D805,366 S *	12/2017	Gassner	D8/72
D813,619 S *	3/2018	Cloutier	D7/683

* cited by examiner

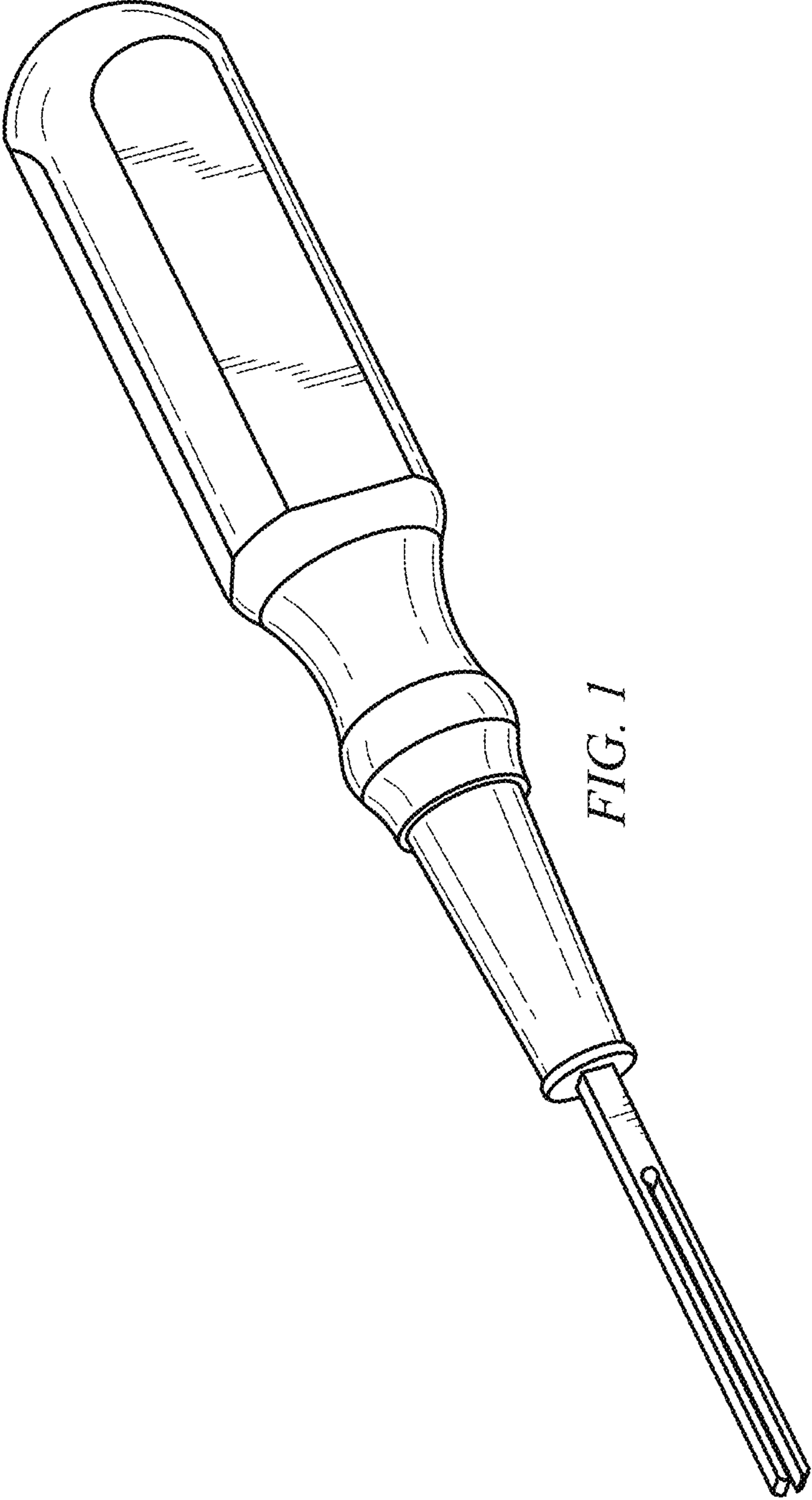


FIG. 1

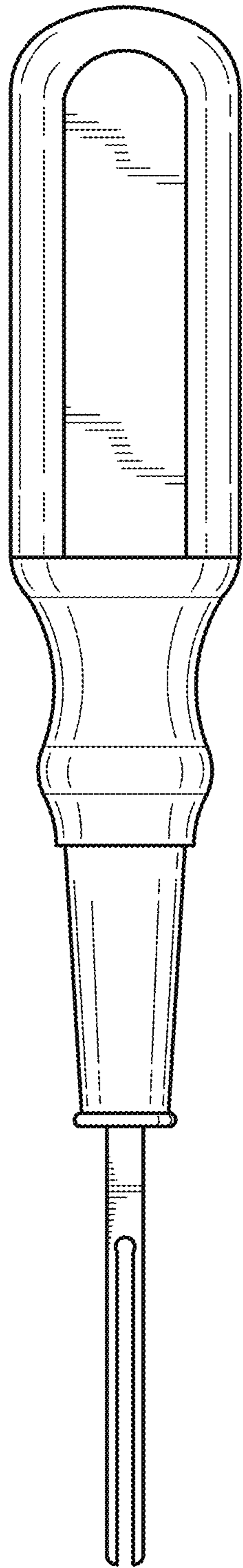


FIG. 2

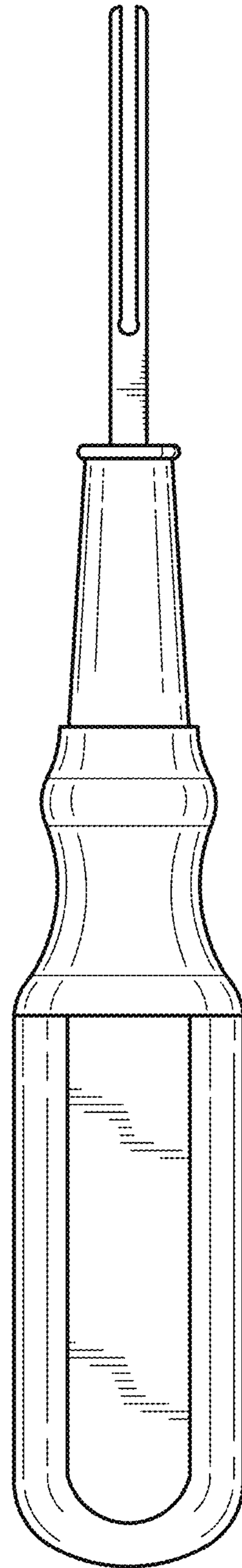


FIG. 3

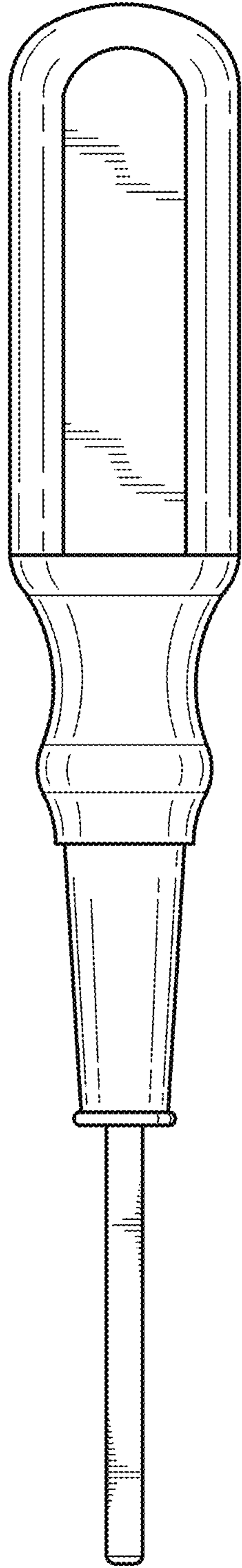


FIG. 4

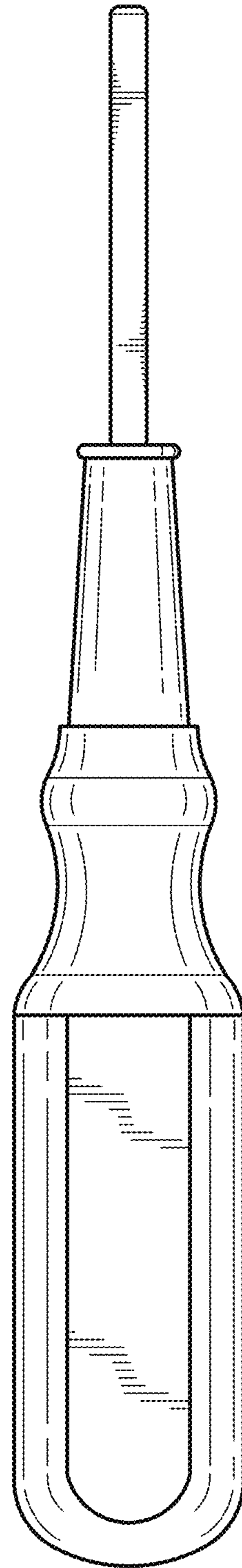


FIG. 5

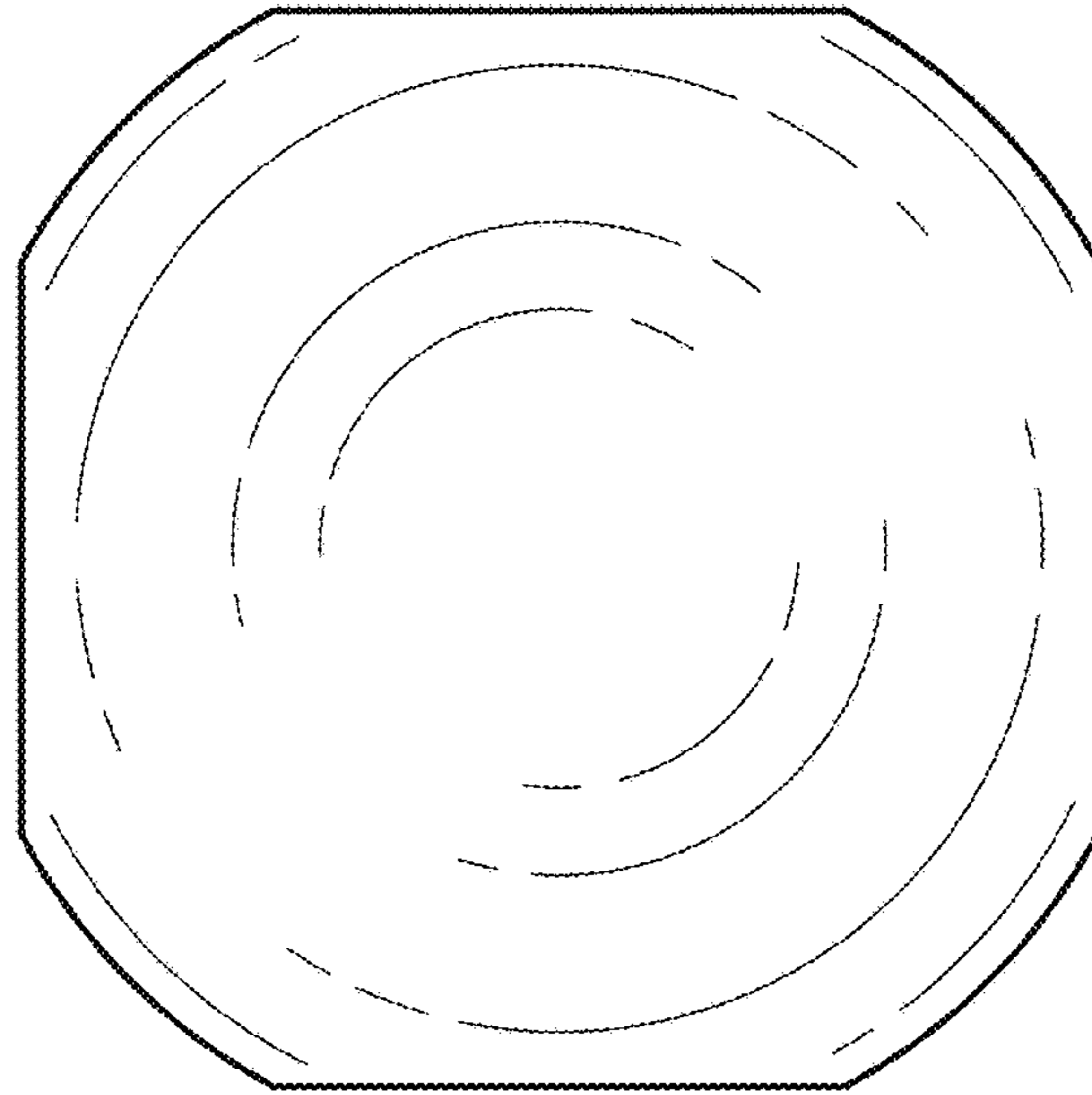


FIG. 6

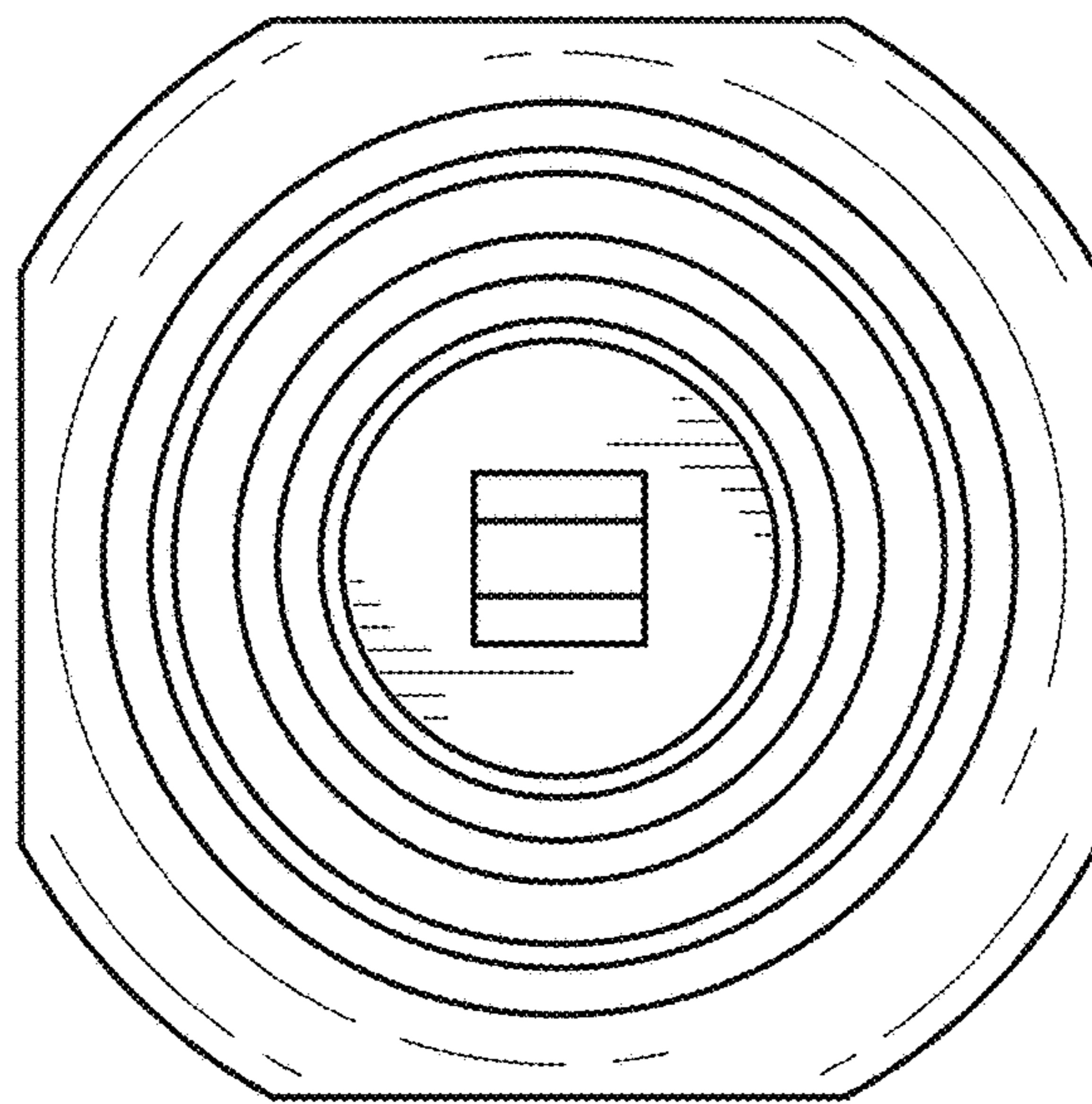


FIG. 7

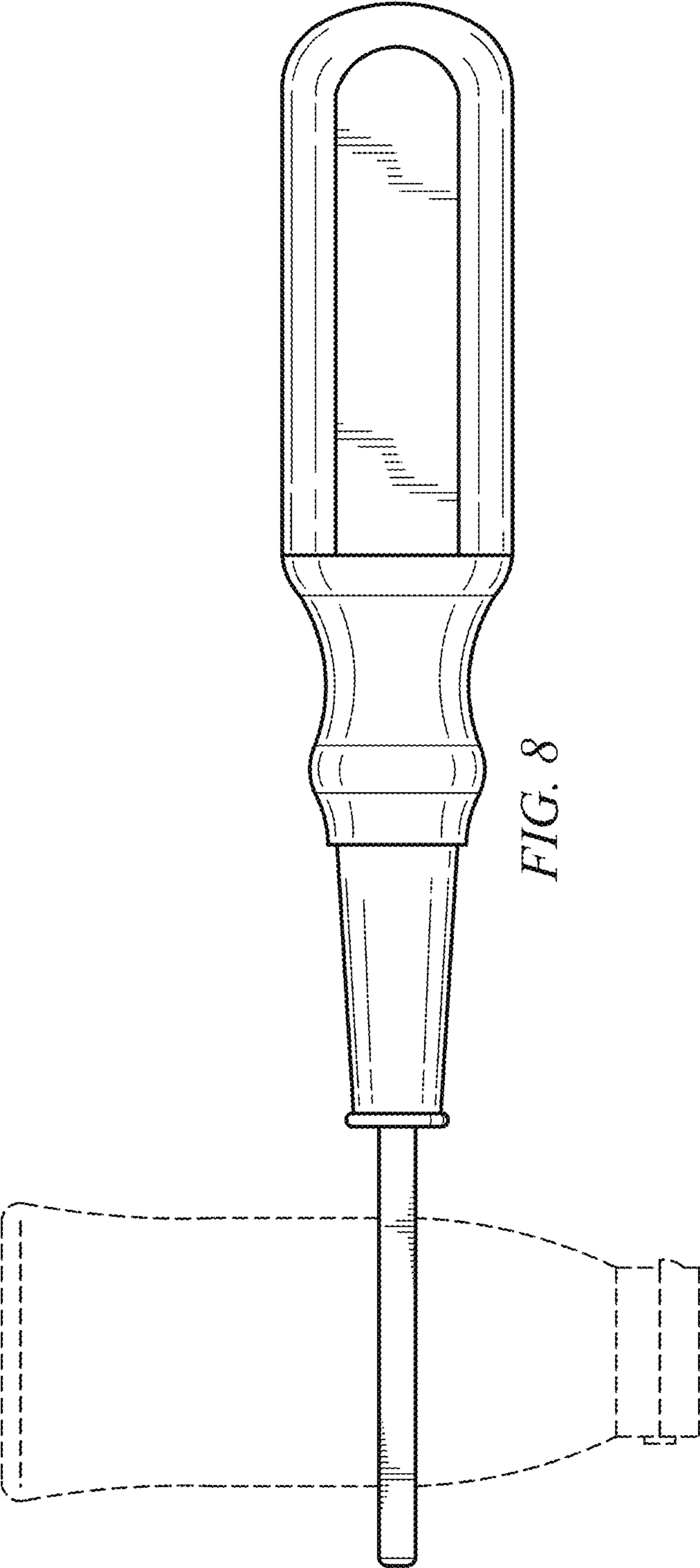


FIG. 8