



US00D859138S

(12) **United States Design Patent** (10) **Patent No.:** **US D859,138 S**
Thompson (45) **Date of Patent:** **** Sep. 10, 2019**

(54) **ROD BRACKET** 5,642,557 A * 7/1997 Clews E04B 2/7442
24/298
(71) Applicant: **3M INNOVATIVE PROPERTIES** D417,141 S * 11/1999 Senninger D8/395
COMPANY, St. Paul, MN (US) D417,612 S * 12/1999 Jones D26/138
D421,318 S * 2/2000 O'Brien D26/138
(72) Inventor: **Craig D. Thompson, Inver Grove** D429,143 S * 8/2000 Weiss D8/356
Heights, MN (US) D432,404 S * 10/2000 Garfinkle D8/395
D432,905 S * 10/2000 Sutker D8/394
D440,005 S * 4/2001 Blanton 24/16 R
(73) Assignee: **3M INNOVATIVE PROPERTIES** (Continued)
COMPANY, St. Paul, MN (US)

FOREIGN PATENT DOCUMENTS

(**) Term: **15 Years** JP 3059772 7/1999
KR 30-0292875 3/2002

(21) Appl. No.: **29/649,497**

(22) Filed: **May 30, 2018**

(51) **LOC (12) Cl.** **08-08**

(52) **U.S. Cl.**
USPC **D8/394**

(58) **Field of Classification Search**
USPC D8/349, 354, 356, 382, 394, 395, 396
CPC A47H 1/142; A47H 1/122; A47H 13/01;
A47H 1/022; A47H 1/102; A47H
2023/003; A47H 1/14; A47H 1/00; A47H
2001/006; A47H 2001/021; F16L 3/04;
A63D 15/105

See application file for complete search history.

(56) **References Cited**

U.S. PATENT DOCUMENTS

D30,722 S * 5/1899 Nichols et al. D8/354
D227,742 S * 7/1973 Logsdon et al. D8/354
D239,592 S * 4/1976 Anderson et al. D8/354
D241,314 S * 9/1976 Hug et al. D8/395
D253,457 S * 11/1979 Sandel D8/395
D257,950 S * 1/1981 Van Meter, Jr. D13/154
D284,294 S * 6/1986 Upton D21/467
D319,383 S * 8/1991 Kihlstrom D8/349
D363,211 S * 10/1995 Noble D8/371
D375,453 S * 11/1996 Fleck D8/395
D375,890 S * 11/1996 Takai D8/380
D376,973 S * 12/1996 Brown D8/395
D378,439 S * 3/1997 Gary D21/840

OTHER PUBLICATIONS

Round Support Bracket, Amazon.com, Inc. Homepage, Nov. 24, 2009, pp. 1-3.

Primary Examiner — John Windmuller
Assistant Examiner — Steven J Czyz
(74) *Attorney, Agent, or Firm* — Irina Hass

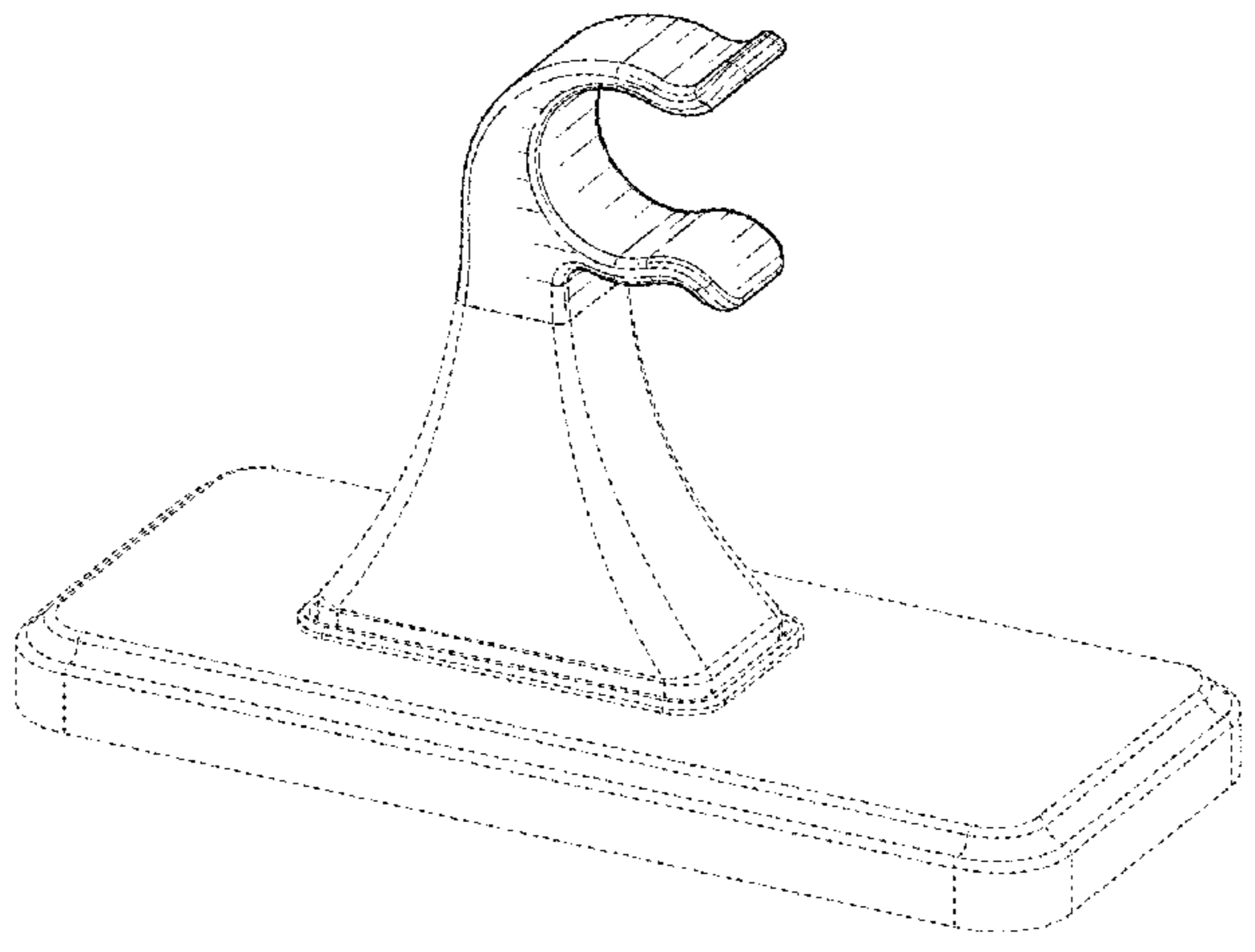
(57) **CLAIM**

The ornamental design for a rod bracket, as shown and described.

DESCRIPTION

FIG. 1 is a perspective view showing the new design for a rod bracket;
FIG. 2 is a front view thereof;
FIG. 3 is a rear view thereof;
FIG. 4 is a bottom view thereof;
FIG. 5 is a top view thereof;
FIG. 6 is a left side view thereof; and,
FIG. 7 is a right side view thereof;
The portions of the rod bracket in FIGS. 1-7 shown in broken lines are included to show features that form no part of the claimed design. In FIGS. 1-6, the dash-dot-dash lines represent boundaries of the claim.

1 Claim, 7 Drawing Sheets



(56)

References Cited

U.S. PATENT DOCUMENTS

D460,912 S * 7/2002 Gary D8/395
D470,937 S * 2/2003 Gary D24/138
D483,246 S * 12/2003 McPherson D8/354
D487,482 S * 3/2004 Disher D19/65
D506,385 S * 6/2005 Brown D8/394
D508,841 S * 8/2005 Jordan, Jr. D8/395
D508,842 S * 8/2005 Paolini D8/395
D552,463 S * 10/2007 French D8/395
D560,482 S * 1/2008 Casteel D8/395
D560,483 S * 1/2008 Mercier D6/550
D578,869 S * 10/2008 Fernandez D8/354
D587,564 S * 3/2009 Kodi D8/354
D597,402 S * 8/2009 Garza D8/354
D690,997 S * 10/2013 Zemel D7/590
D695,098 S * 12/2013 Hobson D8/395
D732,009 S * 6/2015 Bak D14/229
D733,534 S * 7/2015 Altrichter D8/356
D795,048 S * 8/2017 McCoy D8/354
D815,517 S * 4/2018 Van Fleet D8/396
D834,925 S * 12/2018 Hanley D8/363
D834,926 S * 12/2018 Hanley D8/363
D836,431 S * 12/2018 Frost D8/396
D837,039 S * 1/2019 Angus D8/356
2018/0064279 A1 * 3/2018 Hanley A47H 1/142

* cited by examiner

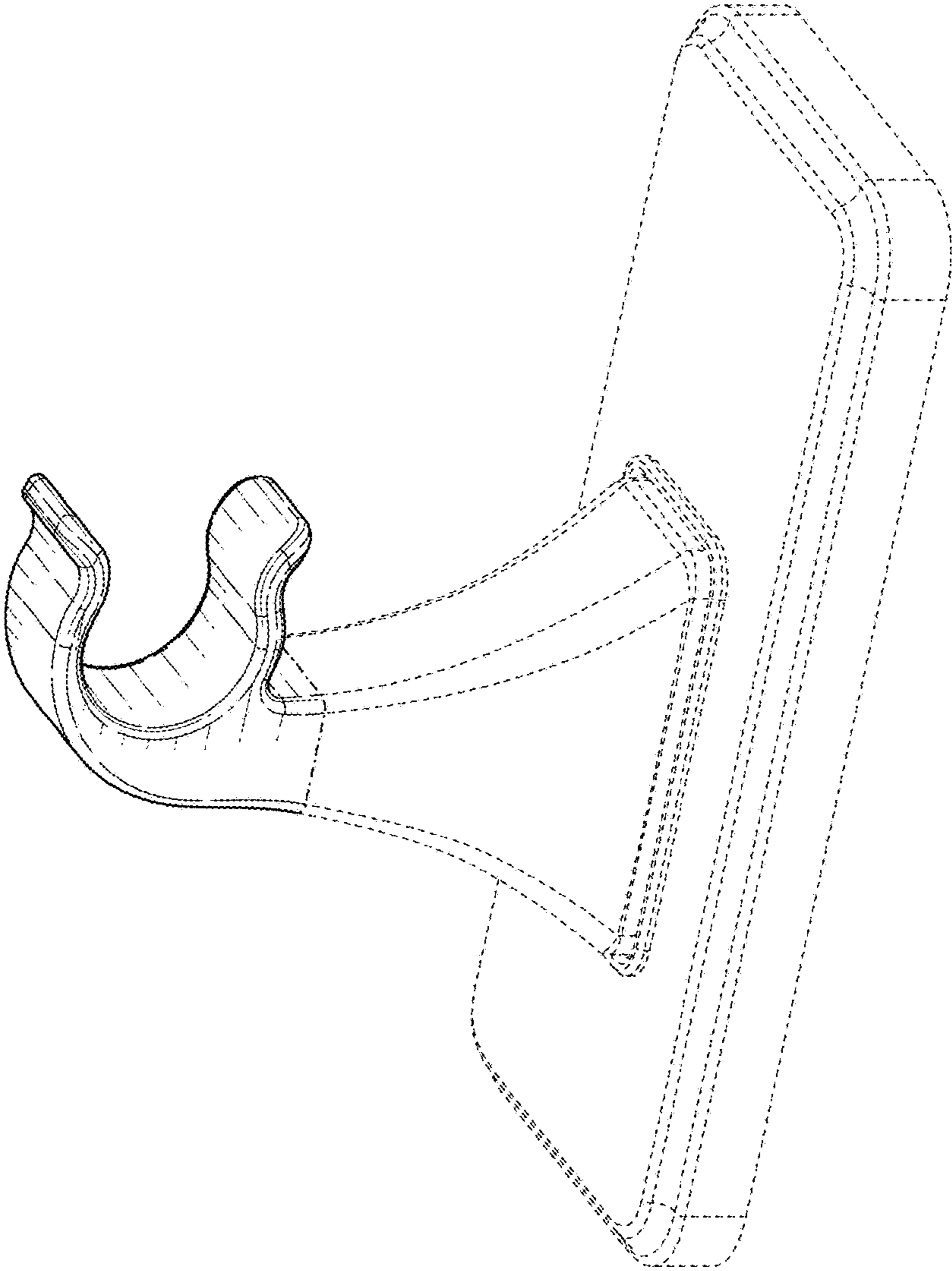


FIG. 1

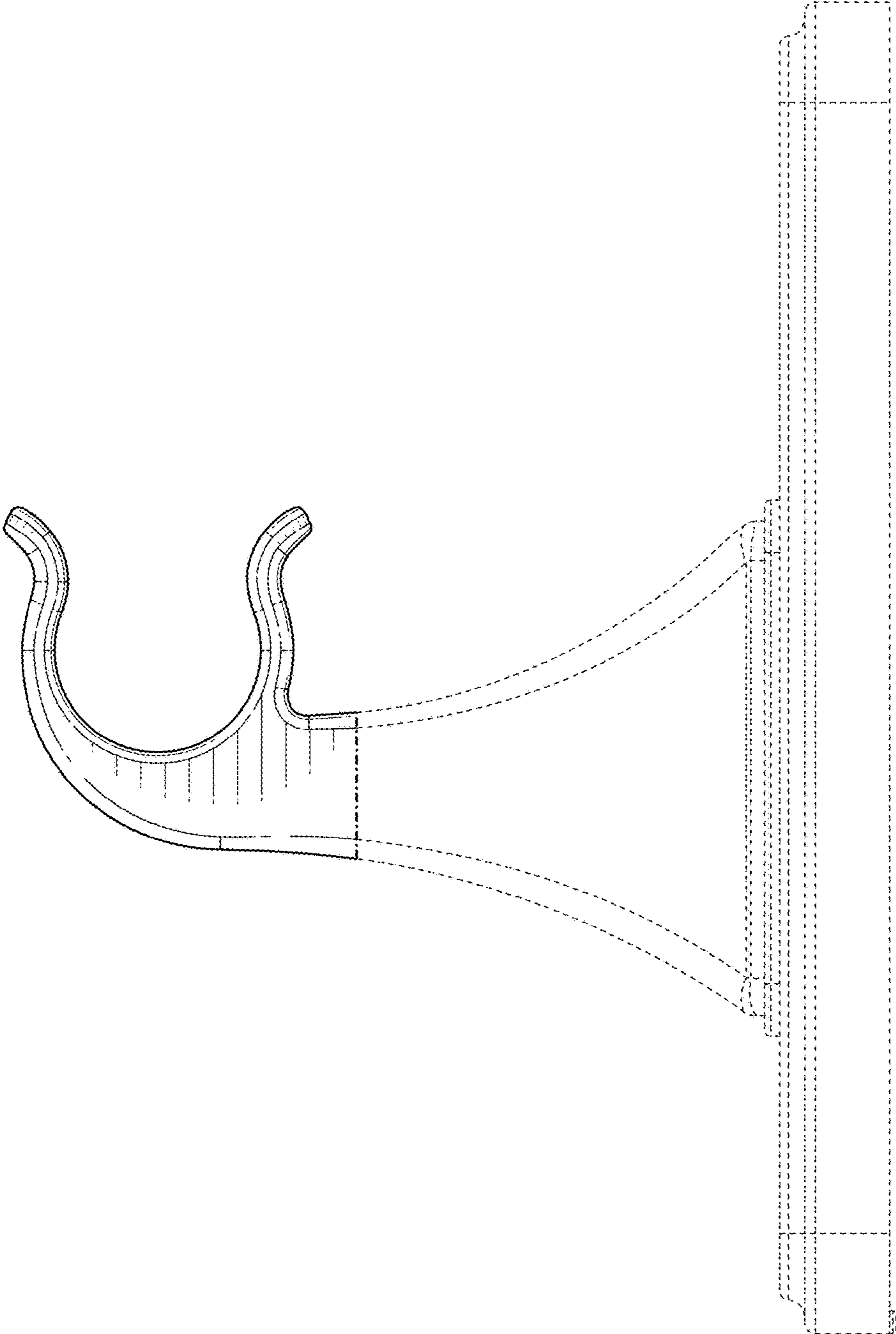


FIG. 2

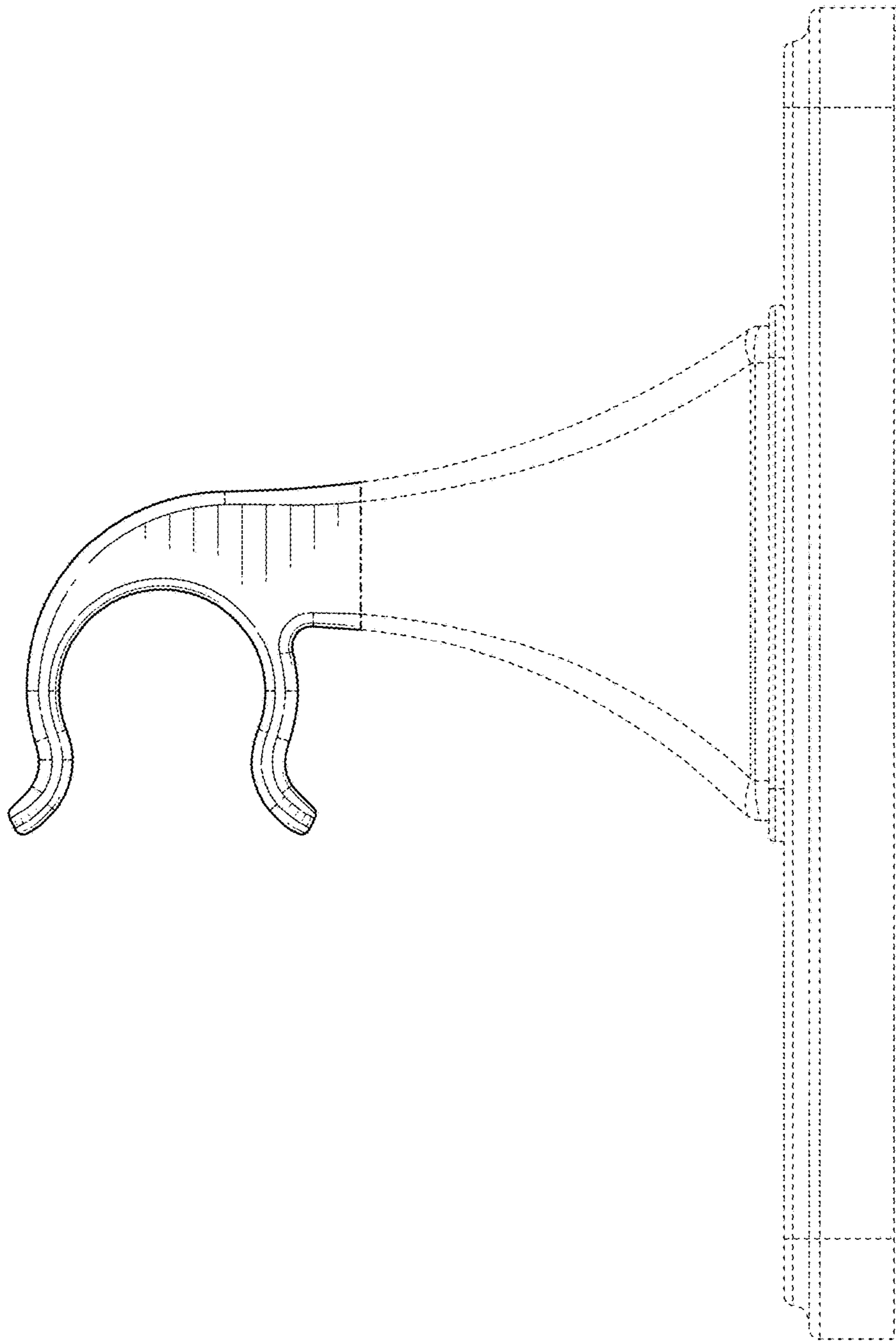


FIG. 3

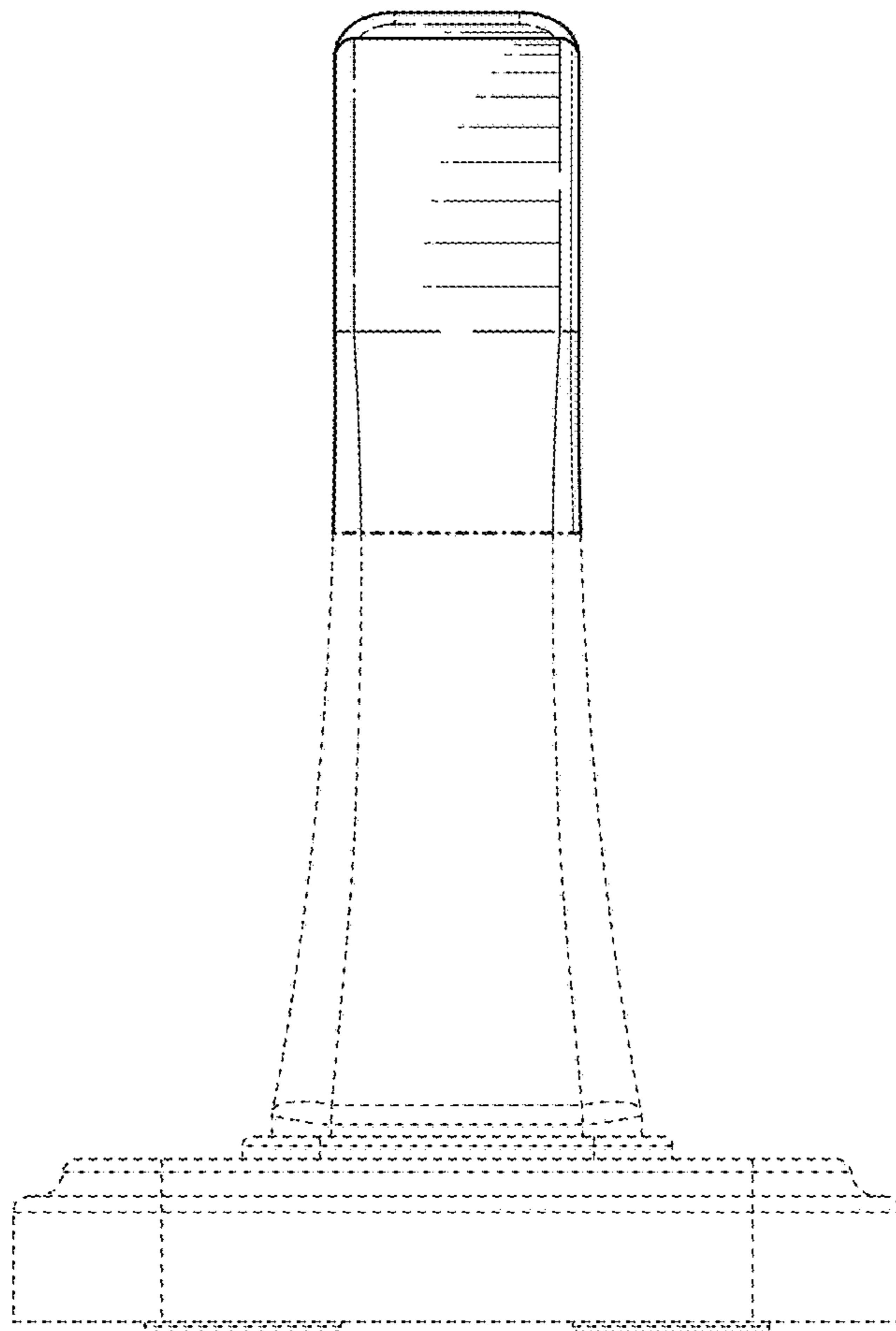


FIG. 4

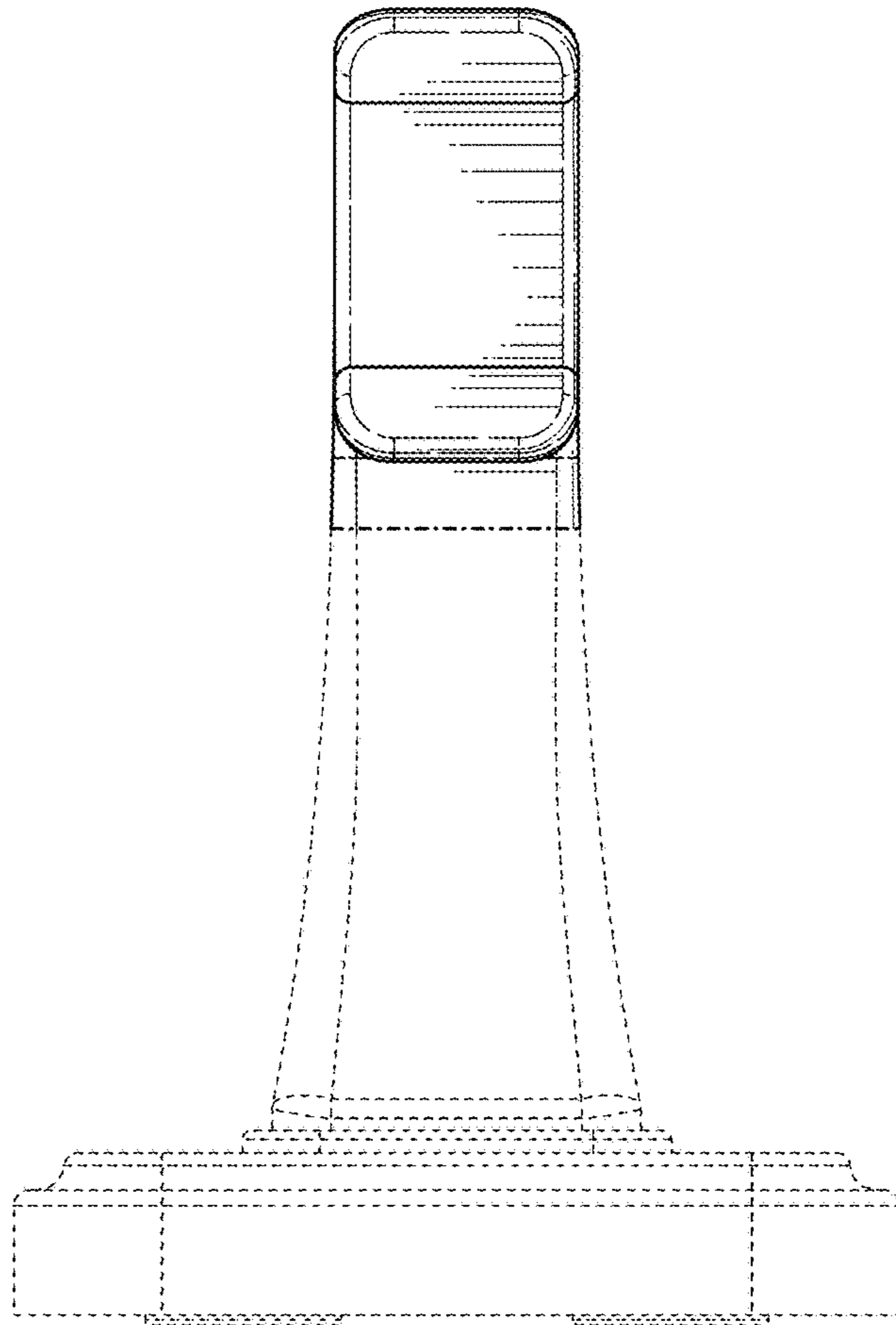


FIG. 5

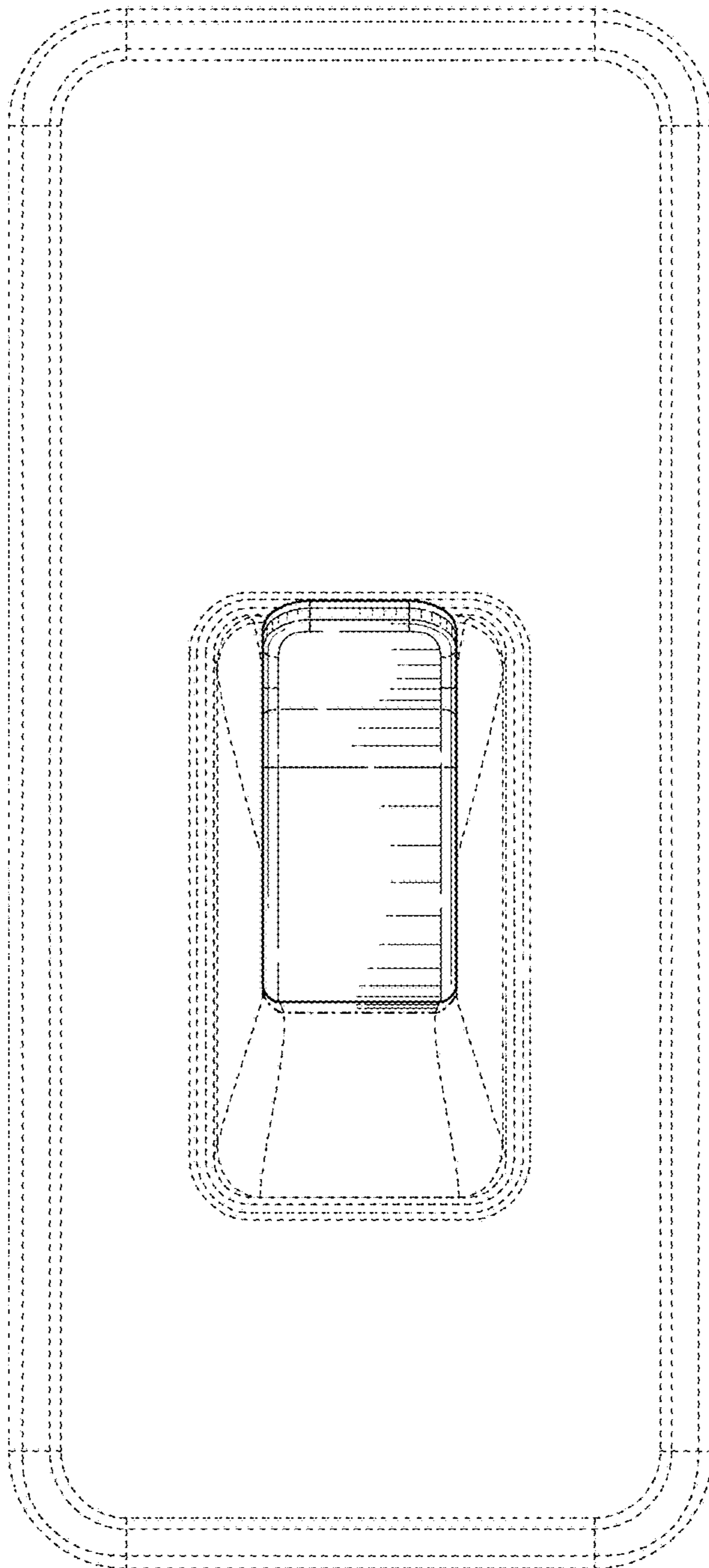


FIG. 6

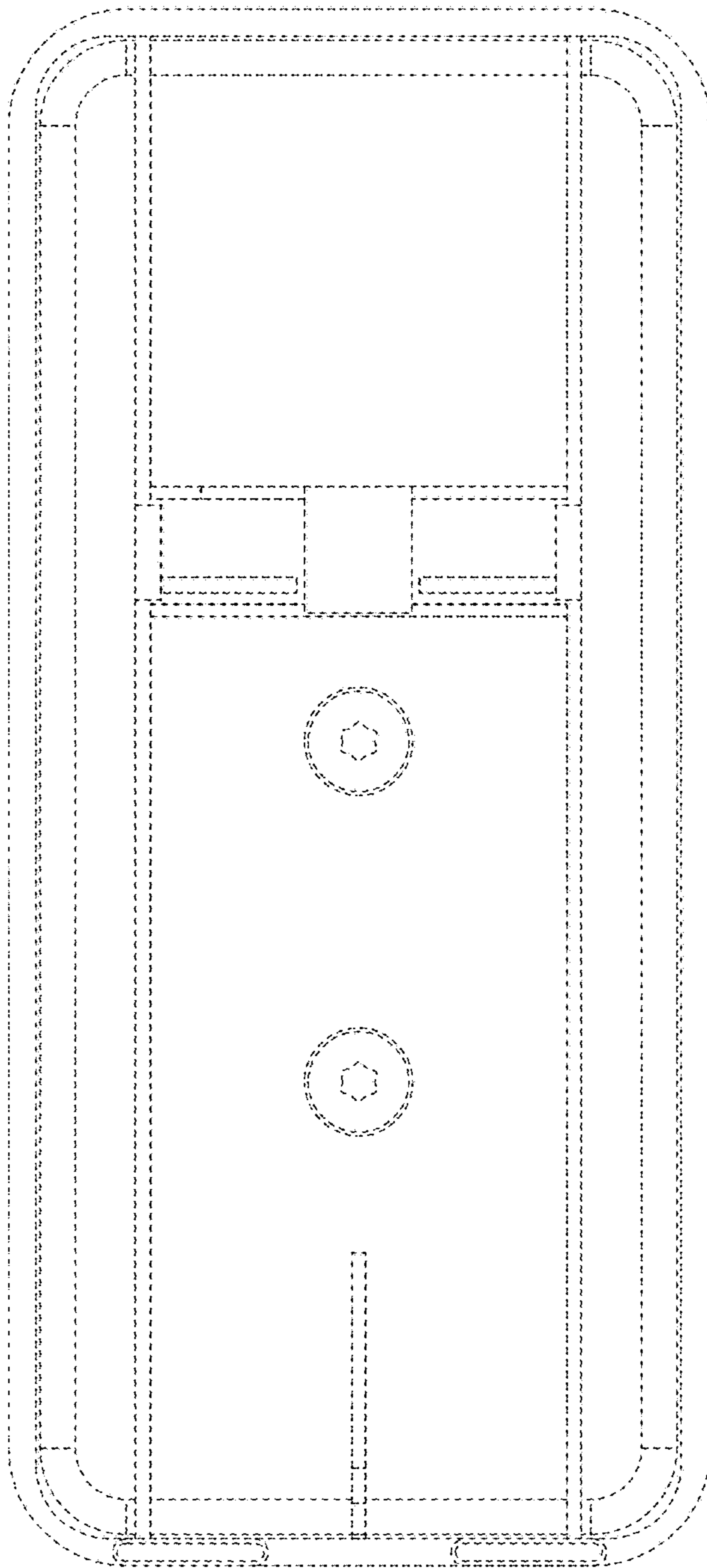


FIG. 7