

US00D859136S

(12) **United States Design Patent** (10) **Patent No.:** **US D859,136 S**  
**Tenander et al.** (45) **Date of Patent:** **\*\* \*Sep. 10, 2019**

(54) **TUBING CLAMP**  
(71) Applicant: **GE Healthcare Bio-Sciences Corp.**,  
Marlborough, MA (US)  
(72) Inventors: **Eric Tenander**, Westborough, MA  
(US); **Ethan Michael Barrieau**,  
Marlborough, MA (US); **Ralph**  
**Stankowski**, Westborough, MA (US)  
(73) Assignee: **GE Healthcare Bio-Sciences Corp.**,  
Marlborough, MA (US)  
(\* ) Notice: This patent is subject to a terminal dis-  
claimer.  
(\*\* ) Term: **15 Years**  
(21) Appl. No.: **29/612,245**  
(22) Filed: **Jul. 31, 2017**  
(51) **LOC (12) Cl.** ..... **08-08**  
(52) **U.S. Cl.**  
USPC ..... **D8/394**; D8/396  
(58) **Field of Classification Search**  
USPC ..... D8/349, 382, 394, 395, 396  
CPC . F16L 17/00; F16L 17/04; F16L 21/06; F16L  
21/08; F16L 23/08; F16L 23/00; F16L  
23/036; F16L 3/13; F16L 33/04; F16L  
33/06; F16L 33/08  
See application file for complete search history.

(56) **References Cited**  
U.S. PATENT DOCUMENTS  
4,186,947 A \* 2/1980 Nixon ..... F16L 17/04  
285/112  
D309,094 S \* 7/1990 Donis ..... D23/265  
D318,123 S \* 7/1991 Yokoyama ..... D24/129  
5,359,866 A \* 11/1994 Boddy ..... F16B 2/10  
24/270  
5,620,210 A \* 4/1997 Eyster ..... F16L 21/06  
24/625

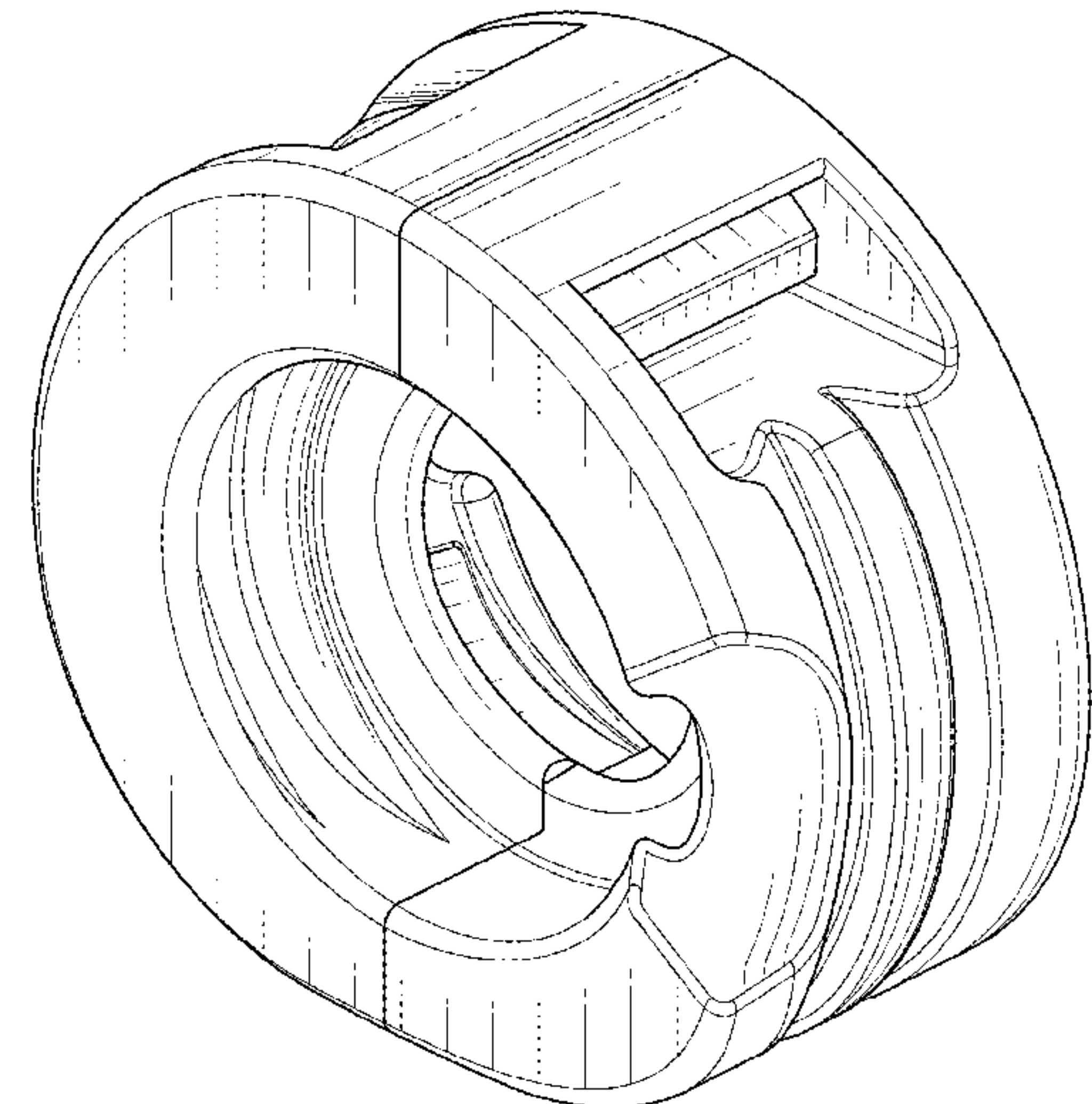
D414,405 S \* 9/1999 Tompkins ..... D8/396  
6,170,884 B1 \* 1/2001 McLennan ..... F16L 17/04  
285/112  
6,227,577 B1 \* 5/2001 Ikeda ..... F16L 17/04  
285/112  
D494,847 S \* 8/2004 Maniezzo ..... D8/382  
D570,458 S \* 6/2008 Gibb ..... D23/262  
D574,228 S \* 8/2008 Johansson ..... D8/396  
D577,423 S \* 9/2008 Dole ..... D23/265  
D583,444 S \* 12/2008 Nagle ..... D23/262  
(Continued)

*Primary Examiner* — John Windmuller  
*Assistant Examiner* — Steven J Czyz  
(74) *Attorney, Agent, or Firm* — Eversheds Sutherland  
(US) LLP

(57) **CLAIM**  
The ornamental design for a tubing clamp, as shown and  
described.

**DESCRIPTION**  
FIG. 1 is a front, right perspective view of a tubing clamp  
shown in a closed configuration;  
FIG. 2 is a rear, left perspective view thereof;  
FIG. 3 is a front, left perspective view thereof;  
FIG. 4 is a rear, right perspective view thereof;  
FIG. 5 is a front, right perspective view of the tubing clamp  
shown in an open configuration;  
FIG. 6 is a rear, left perspective view thereof;  
FIG. 7 is a front, left perspective view thereof; and,  
FIG. 8 is a rear, right perspective view thereof.  
The design is for a tubing clamp which comprises two 'C'  
shaped pieces each joined together at one side by a hinge,  
and closeable together in use at their opposing ends, all  
formed from an integral molding. The clamps, during clos-  
ing, are intended to compressively clamp around flexible or  
semi-flexible tubing (not shown and not part of the design),  
which in turn can has a male insert within it (not shown and  
not part of the design) to oppose the clamping force of the  
tubing clamp illustrated herein.

**1 Claim, 8 Drawing Sheets**



(56)

References Cited

U.S. PATENT DOCUMENTS

D583,916 S \* 12/2008 Madara ..... D23/265  
 D584,604 S \* 1/2009 Baldwin ..... D8/396  
 D587,349 S \* 2/2009 Madara ..... D23/265  
 D595,814 S \* 7/2009 Pierce ..... D23/262  
 D597,635 S \* 8/2009 Dole ..... D23/262  
 D598,076 S \* 8/2009 Dole ..... D23/262  
 D598,077 S \* 8/2009 Gibb ..... D23/265  
 D600,325 S \* 9/2009 Porter ..... D23/262  
 D600,326 S \* 9/2009 Gibb ..... D23/265  
 D602,127 S \* 10/2009 Shah ..... D23/262  
 D608,868 S \* 1/2010 Porter ..... D23/262  
 D608,869 S \* 1/2010 Porter ..... D23/262  
 D608,872 S \* 1/2010 Porter ..... D23/262  
 D609,312 S \* 2/2010 Porter ..... D23/262  
 D616,532 S \* 5/2010 Madara ..... D23/262  
 D618,312 S \* 6/2010 Madara ..... D23/262  
 D618,314 S \* 6/2010 Bowman ..... D23/262  
 D621,917 S \* 8/2010 Madara ..... D23/262  
 D625,785 S \* 10/2010 Madara ..... D23/262  
 D625,786 S \* 10/2010 Bowman ..... D23/262  
 D626,202 S \* 10/2010 Porter ..... D23/262  
 D629,072 S \* 12/2010 Madara ..... D23/262  
 D629,074 S \* 12/2010 Shah ..... D23/262  
 D629,076 S \* 12/2010 Madara ..... D23/262

D629,078 S \* 12/2010 Dole ..... D23/262  
 D629,080 S \* 12/2010 Dole ..... D23/262  
 D629,082 S \* 12/2010 Dole ..... D23/262  
 D629,083 S \* 12/2010 Dole ..... D23/262  
 D629,496 S \* 12/2010 Madara ..... D23/262  
 D674,059 S \* 1/2013 Cuvo ..... D23/262  
 D674,063 S \* 1/2013 Wilk, Jr. .... D23/262  
 D674,064 S \* 1/2013 Dole ..... D23/262  
 D700,835 S \* 3/2014 Langlois ..... D8/396  
 8,961,340 B2 \* 2/2015 Boatwright ..... A63B 59/0044  
 473/568  
 D735,025 S \* 7/2015 Mathien ..... D8/396  
 9,074,715 B2 \* 7/2015 Weger ..... F16L 55/02  
 9,518,667 B2 \* 12/2016 Ramos ..... F16K 7/063  
 9,580,281 B2 \* 2/2017 Foley ..... B66C 1/44  
 D813,025 S \* 3/2018 Yesavage ..... D8/395  
 D813,657 S \* 3/2018 Bowman ..... D8/395  
 D820,074 S \* 6/2018 Huettemann ..... D8/394  
 D820,076 S \* 6/2018 Ramirez ..... D8/396  
 10,074,913 B1 \* 9/2018 Bussey ..... H01R 4/2412  
 2005/0242585 A1 \* 11/2005 Dole ..... B21D 17/04  
 285/367  
 2009/0146417 A1 \* 6/2009 Lippka ..... F16L 17/025  
 285/112  
 2010/0102549 A1 \* 4/2010 Radzik ..... F16L 17/04  
 285/112

\* cited by examiner

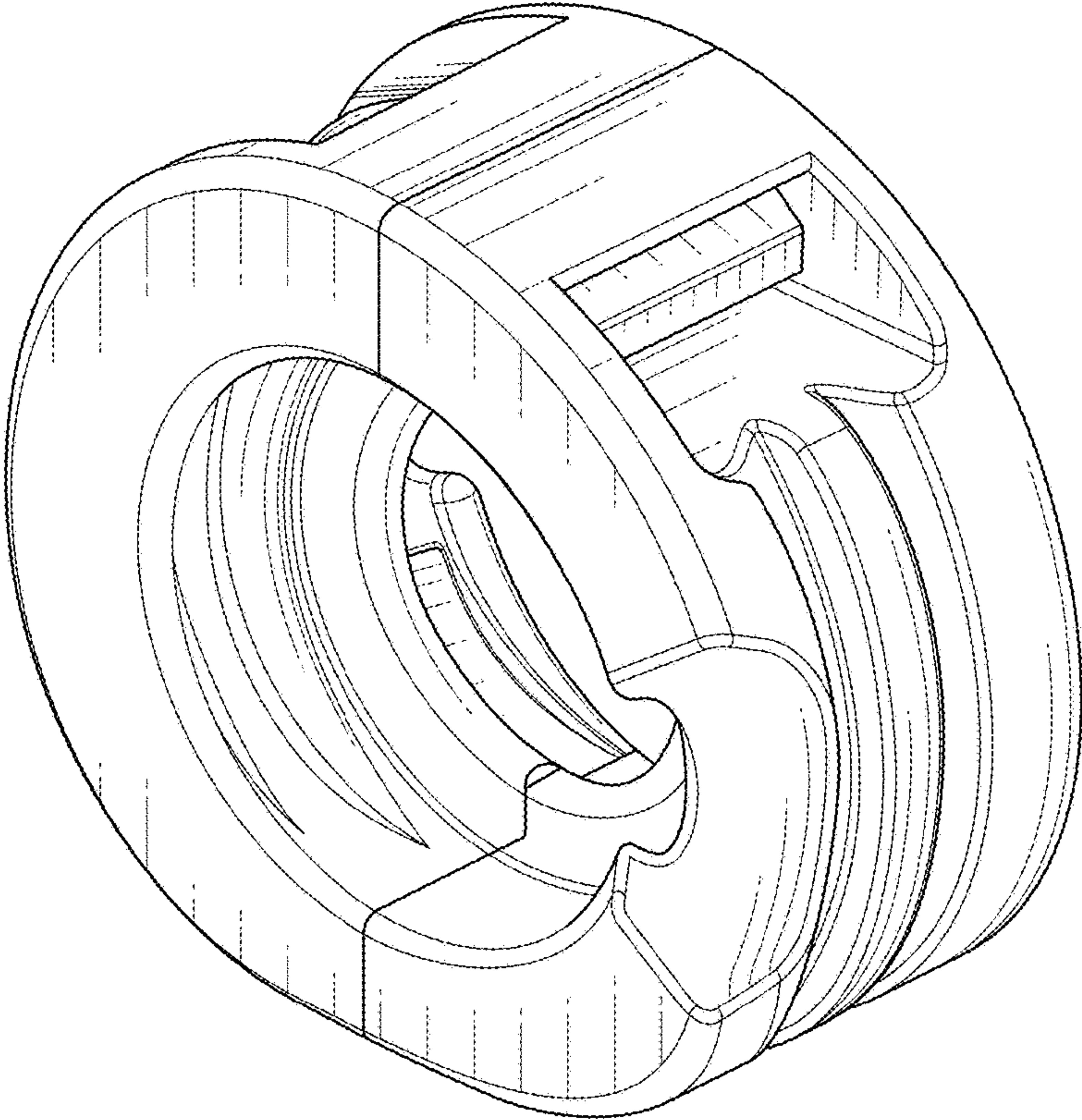


FIG. 1



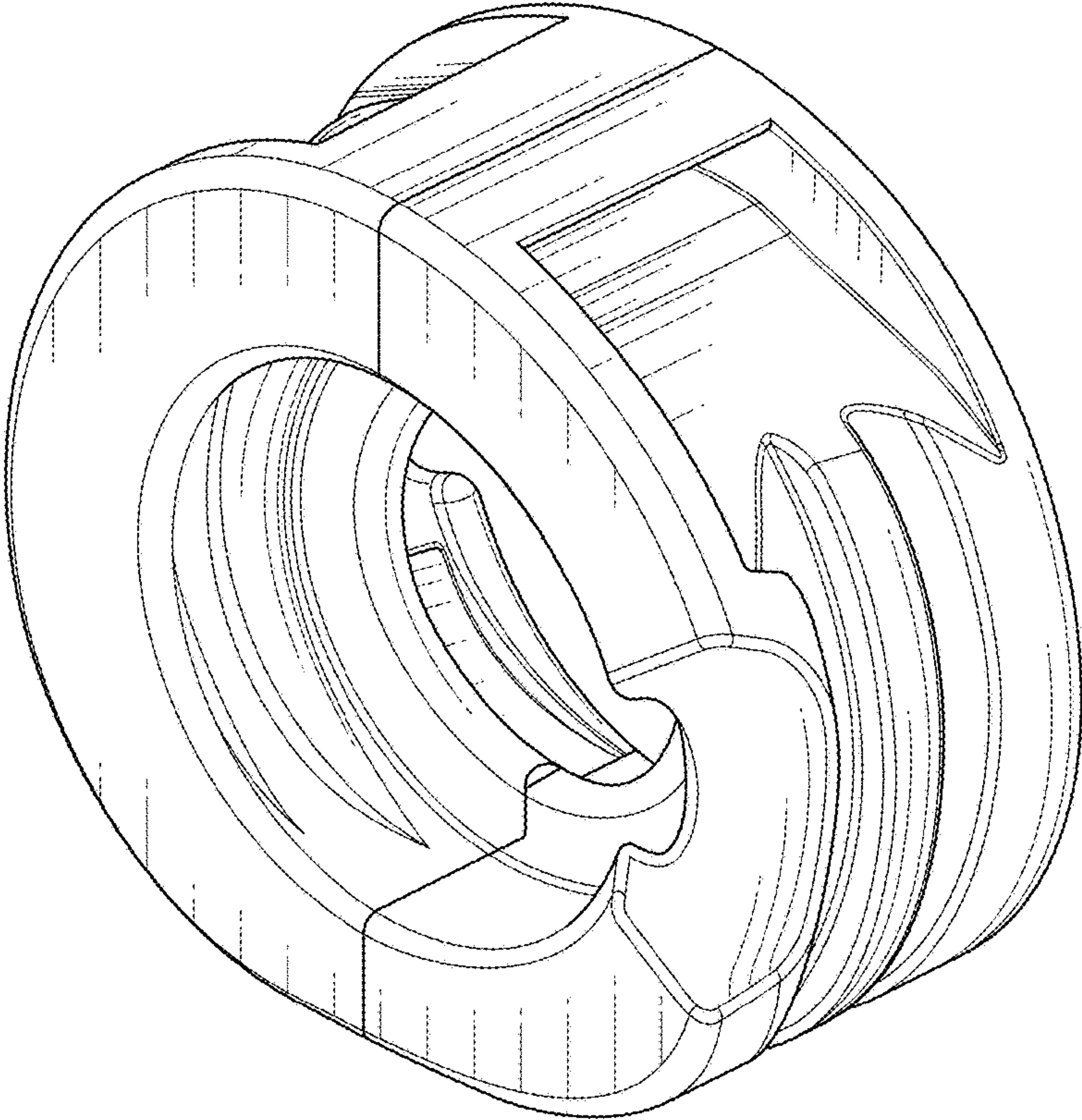


FIG. 2

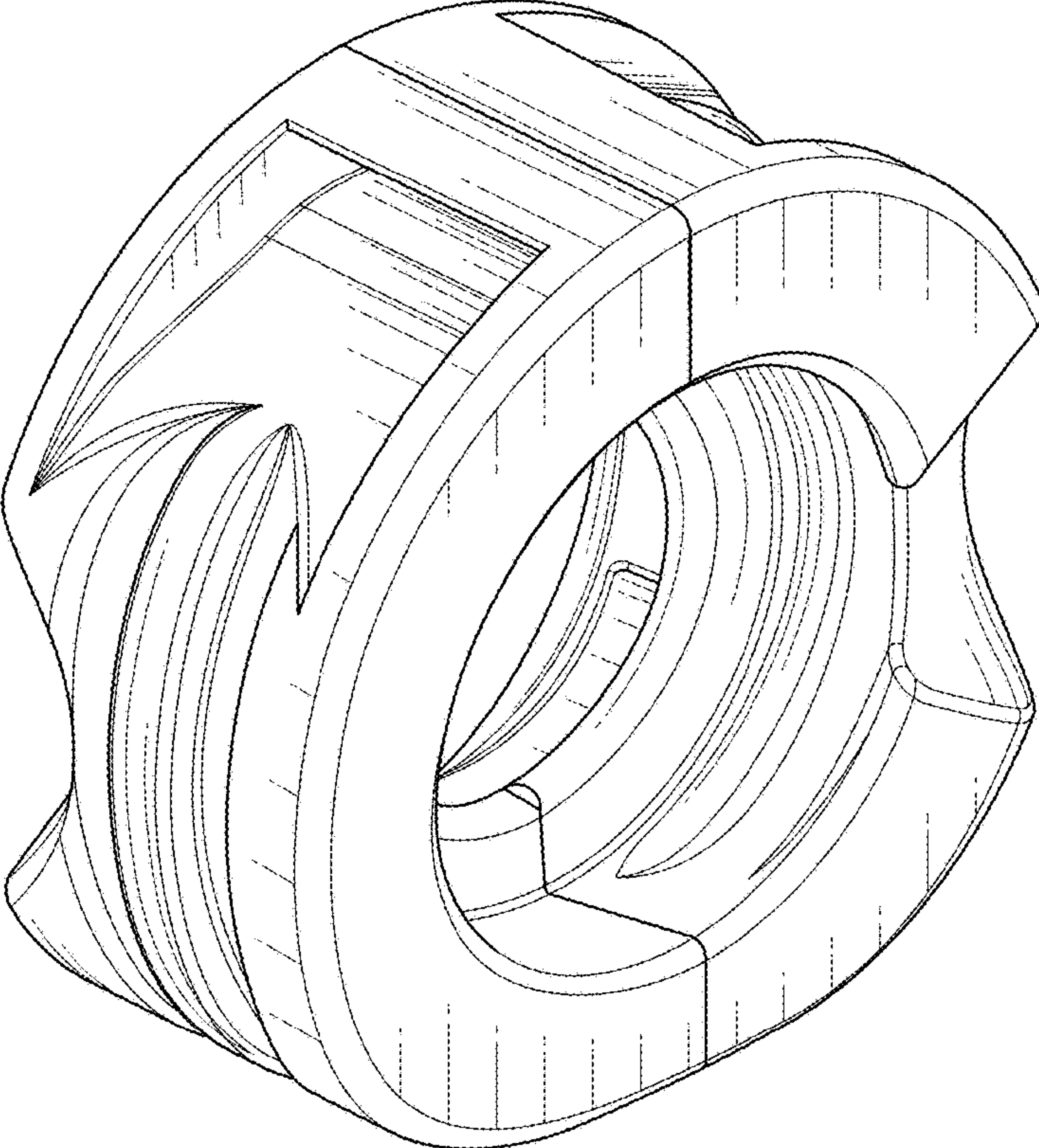


FIG. 3

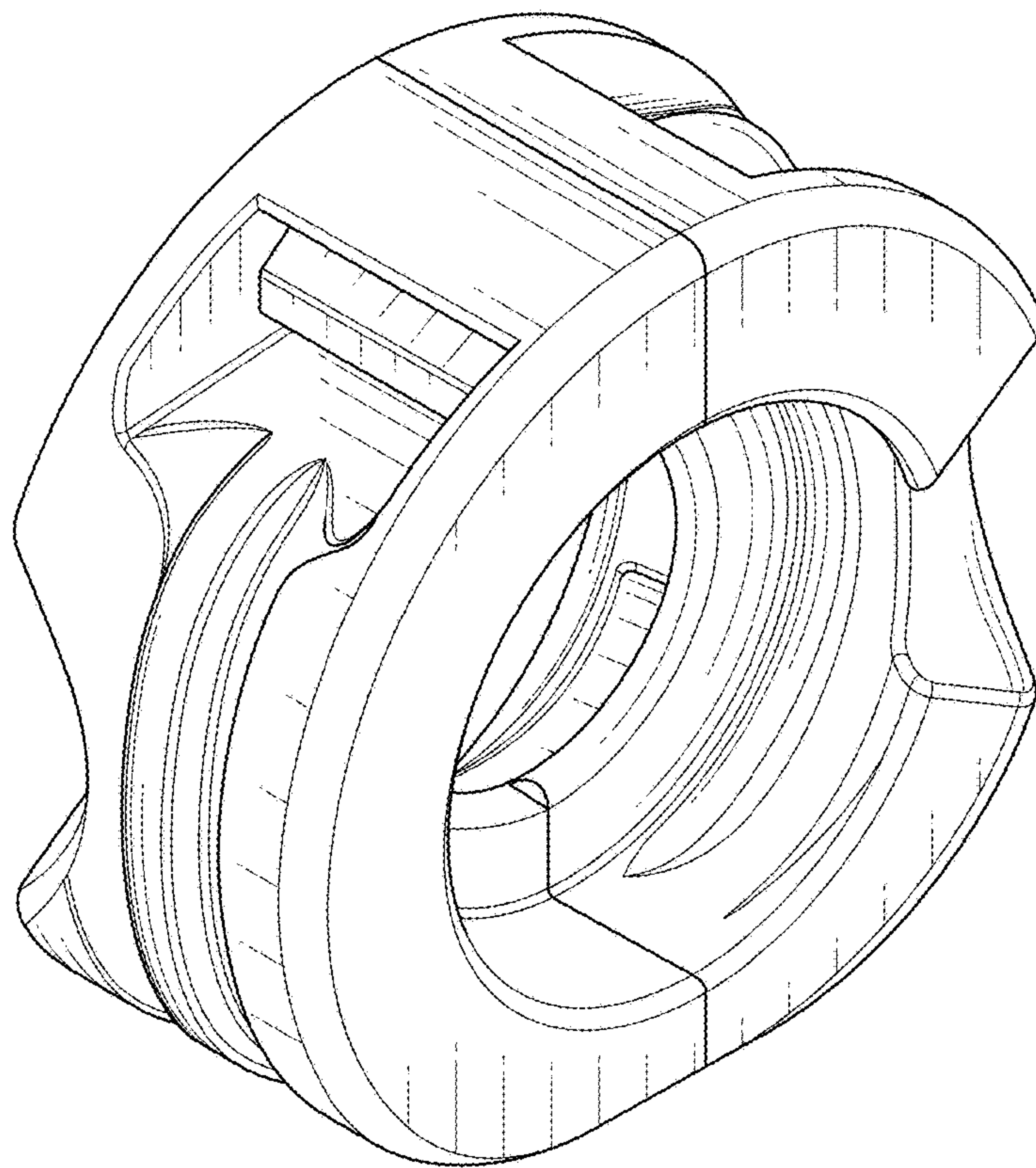


FIG. 4

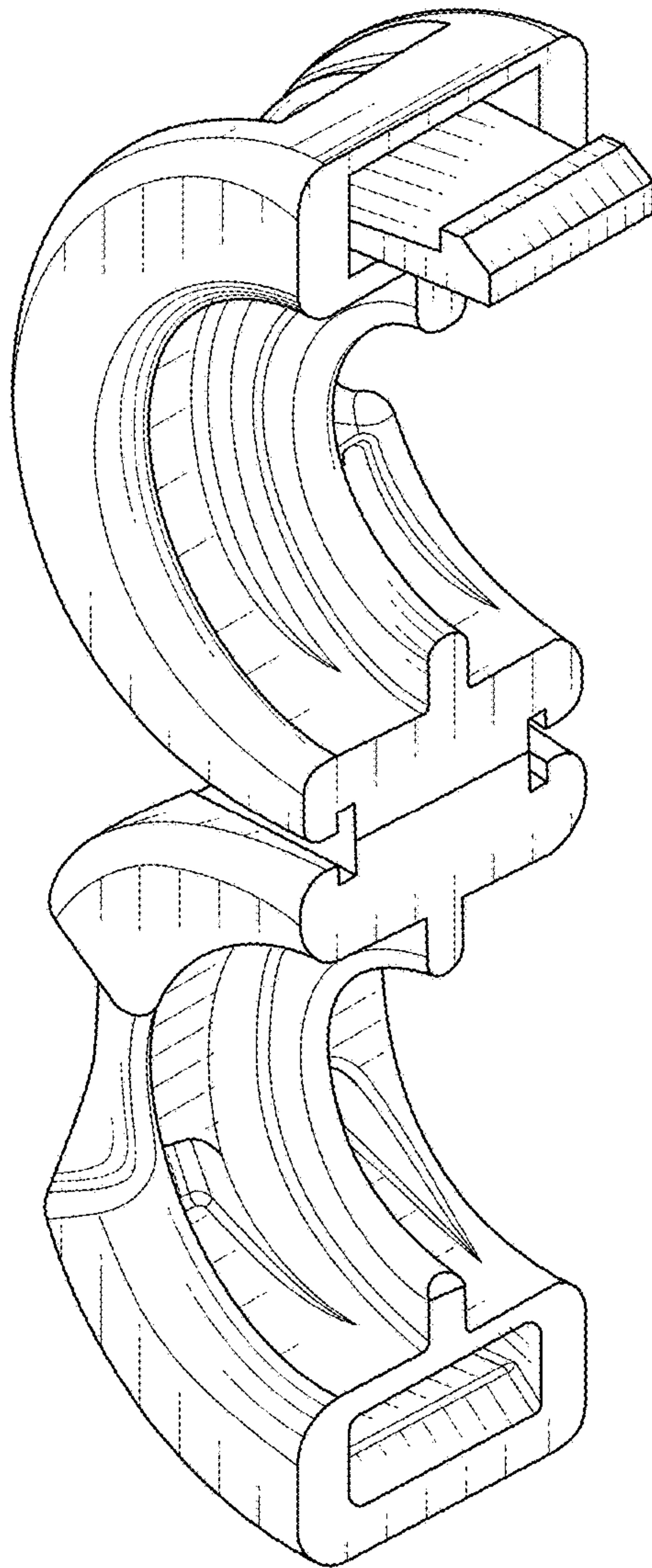


FIG. 5

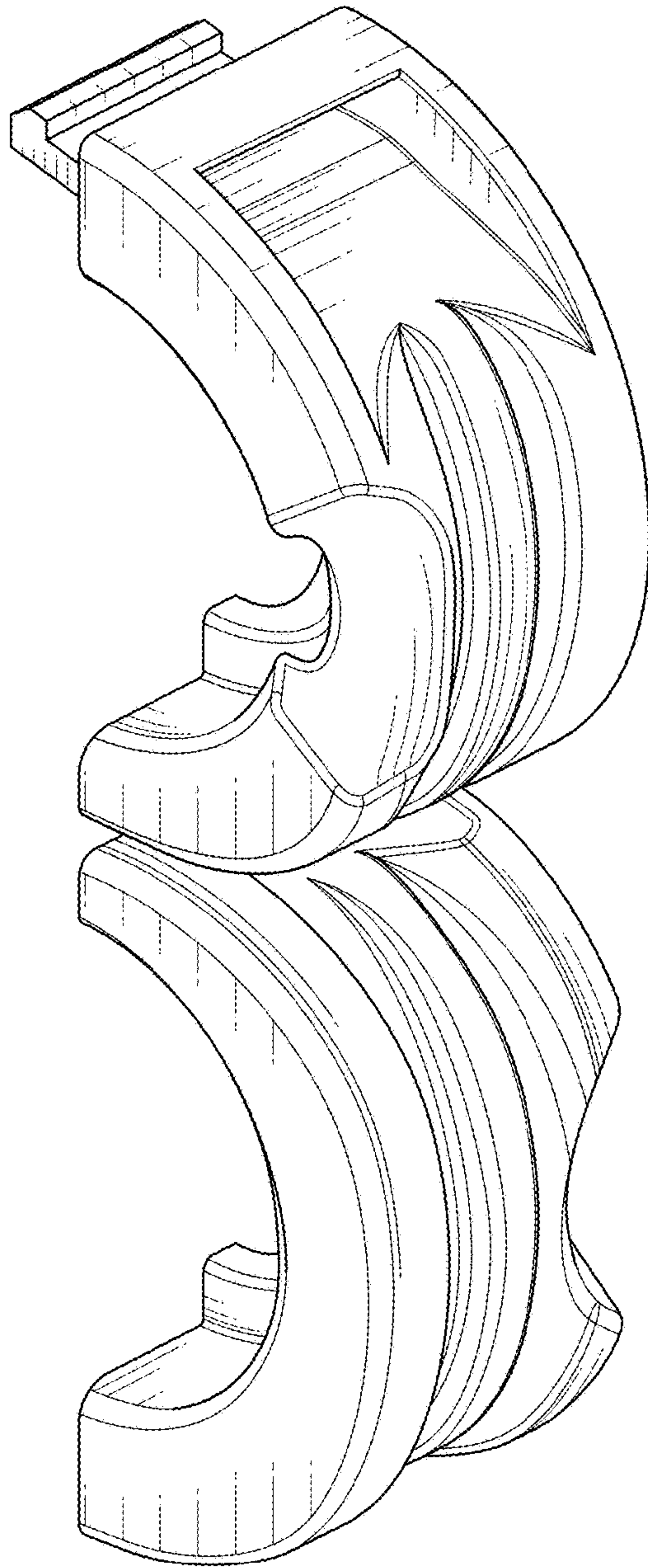


FIG. 6



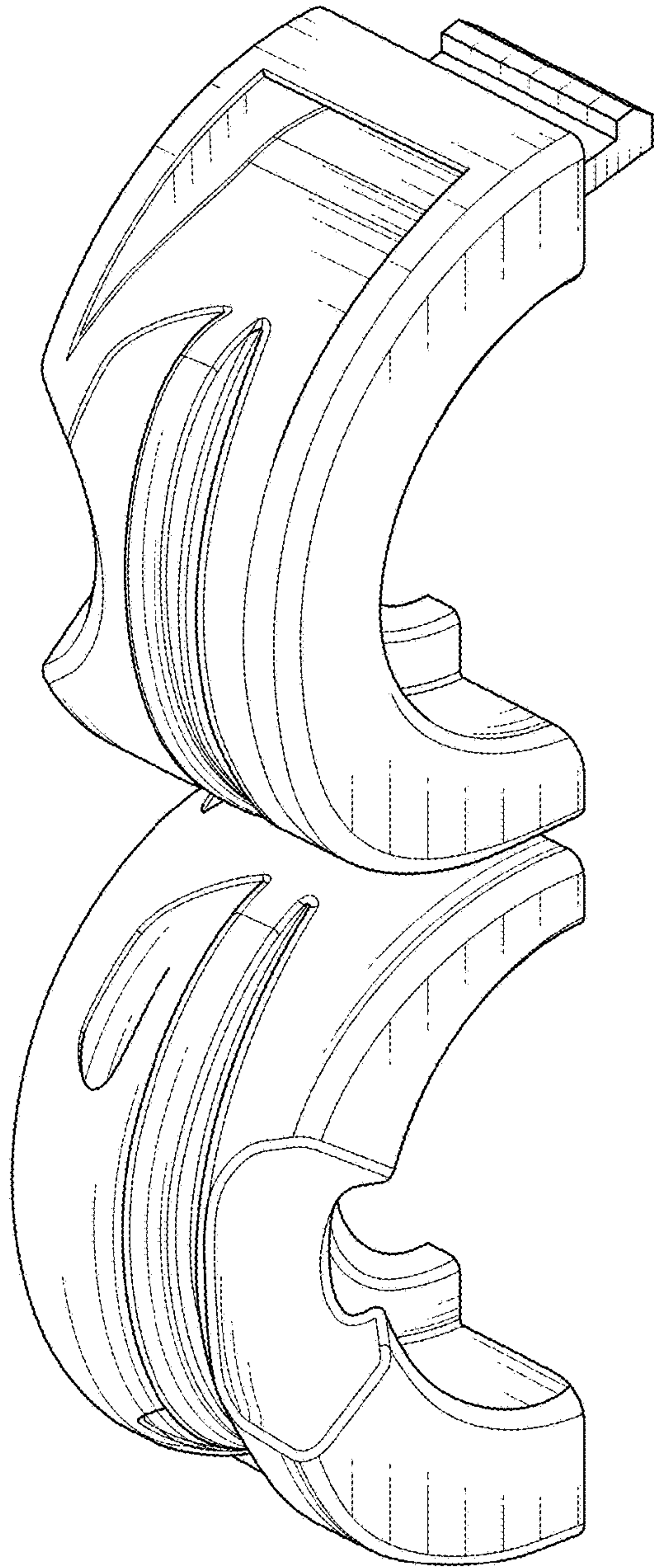


FIG. 7

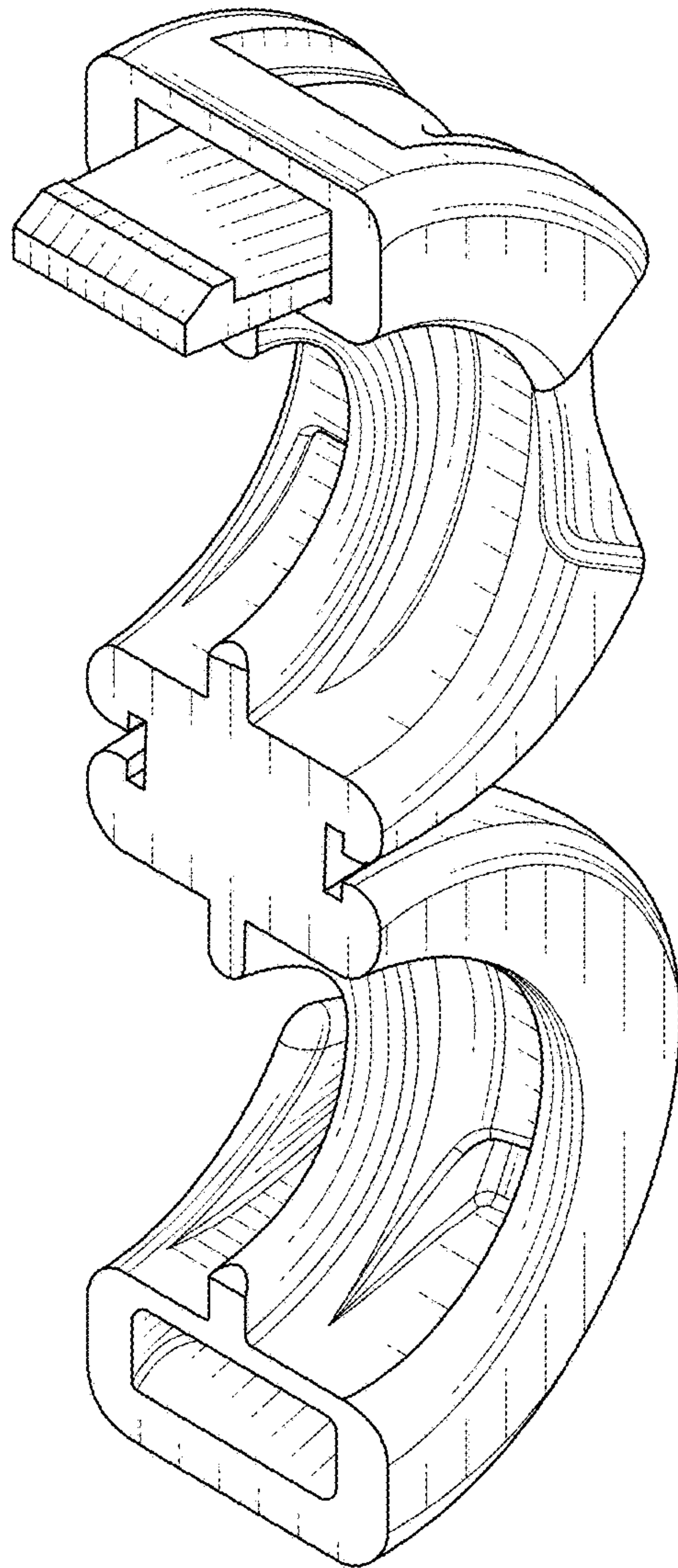


FIG. 8