



US00D859134S

(12) **United States Design Patent**
Iacono

(10) **Patent No.:** **US D859,134 S**

(45) **Date of Patent:** **** Sep. 10, 2019**

- (54) **DOWEL PIN**
- (71) Applicant: **EVOLVE PRODUCTS GROUP, LLC**, Oak Brook, IL (US)
- (72) Inventor: **John R. Iacono**, Elmhurst, IL (US)
- (73) Assignee: **EVOLVE PRODUCTS GROUP, LLC**, Oakbrook Terrace, IL (US)
- (**) Term: **15 Years**
- (21) Appl. No.: **29/656,922**
- (22) Filed: **Jul. 17, 2018**
- (51) **LOC (12) Cl.** **08-08**
- (52) **U.S. Cl.**
USPC **D8/382**; D23/262
- (58) **Field of Classification Search**
USPC D8/349, 382, 385, 387, 388, 391, 393;
D23/258, 262
CPC F16B 15/00; F16B 19/00; F16B 19/02;
F16B 23/00; F16B 23/0061; F16B 23/0007; F16B 23/0015; F16B 23/0069;
F16B 23/0084; F16B 25/0036; F16B 35/04; F16B 35/06; F16B 35/041; F16B 2012/103; F16B 12/24; F16B 12/30;
F16B 12/36; F16B 2012/403; F16B 21/082; A61B 17/68; A61B 17/686; A61B 17/7083; A61B 2017/0648; A61B 17/7082; A61B 17/8605; A61B 17/861; A61B 17/8877; A61B 17/862; A61B 17/8883; A61B 17/8635; E05Y 2600/61; E05Y 2600/622; B29C 65/564
See application file for complete search history.

928,237 A	7/1909	Baird	
1,996,855 A *	4/1935	Cheswright	F16L 33/30 285/239
3,405,592 A *	10/1968	Blodee	F16B 12/24 403/267
3,736,834 A	6/1973	McDonald	
3,883,834 A	5/1975	Hewson	
3,943,818 A	3/1976	Pryor et al.	
3,966,339 A	6/1976	Nemecek et al.	
4,454,699 A	6/1984	Strobel	
4,597,594 A	7/1986	Kacalief et al.	
4,681,477 A	7/1987	Fischer	
D318,102 S	7/1991	Papai	
D333,178 S	2/1993	Novy	
5,685,682 A	11/1997	Glime et al.	
5,772,551 A	6/1998	Mabie	
6,176,662 B1	1/2001	Champney et al.	
6,761,008 B2 *	7/2004	Chen	B29C 65/564 52/586.1
7,766,396 B1	8/2010	Elbaz	
D654,150 S	2/2012	Bonhag et al.	
8,511,962 B2	8/2013	Schuech et al.	
D774,628 S	12/2016	Provenzano et al.	
D807,158 S *	1/2018	Wu	D8/382

(Continued)

Primary Examiner — Sheryl Lane
Assistant Examiner — Ieisha N Price
(74) *Attorney, Agent, or Firm* — Baker & McKenzie LLP

(57) **CLAIM**

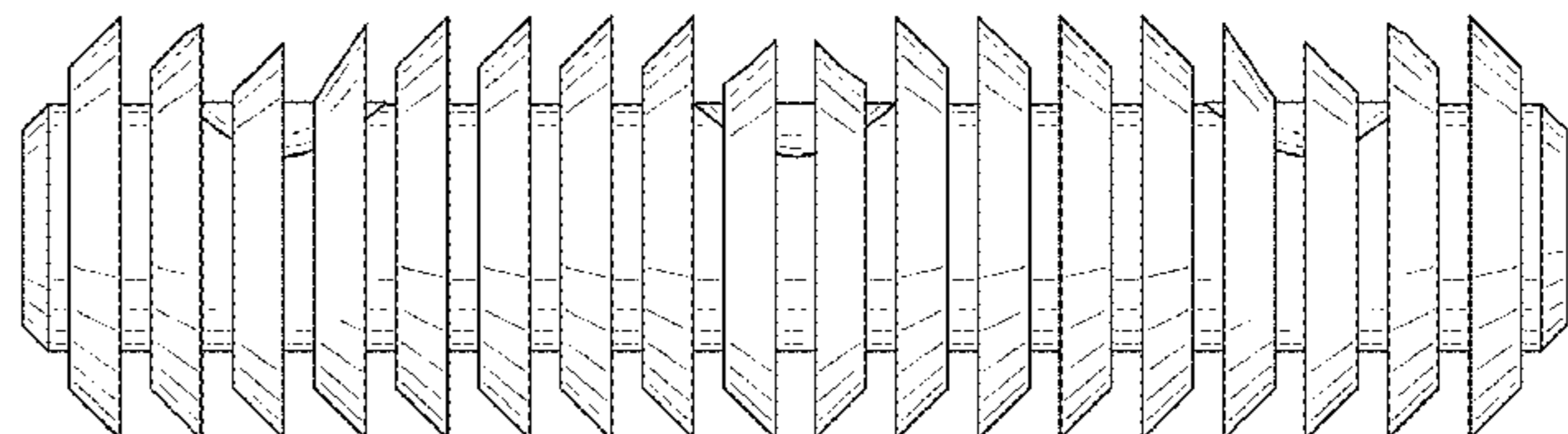
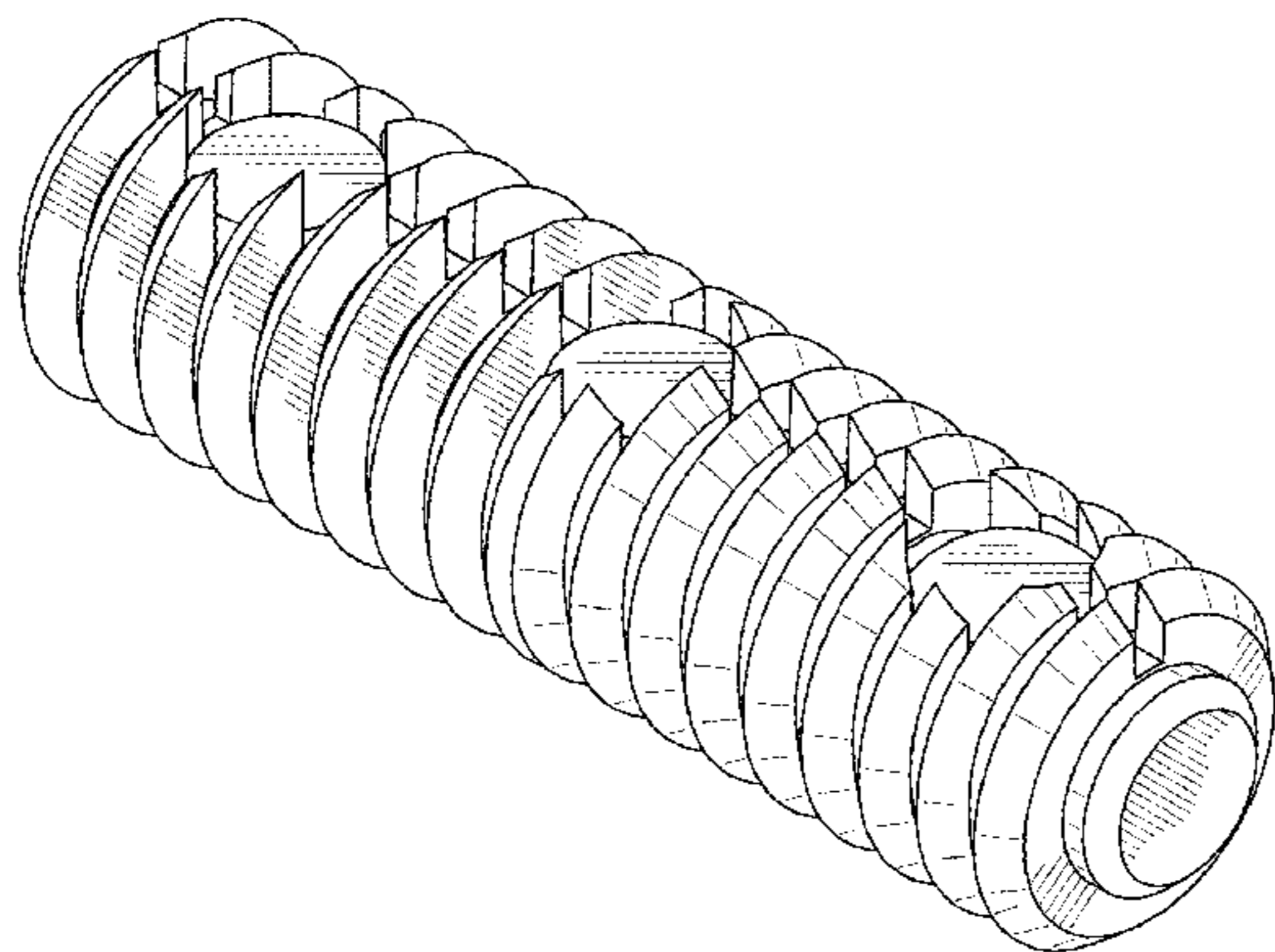
The ornamental design for a dowel pin, as shown and described.

DESCRIPTION

FIG. 1 is a perspective view showing my new design;
FIG. 2 is a right elevational view thereof;
FIG. 3 is a left elevational view thereof;
FIG. 4 is an end elevational view thereof;
FIG. 5 is an opposite end elevational view thereof;
FIG. 6 is a top plan view thereof; and,
FIG. 7 is a bottom plan view thereof.

1 Claim, 4 Drawing Sheets

- (56) **References Cited**
U.S. PATENT DOCUMENTS
509,458 A 11/1893 Still
D31,685 S * 10/1899 Spear D8/387



(56)

References Cited

U.S. PATENT DOCUMENTS

D816,469 S *	5/2018	Toomey	D8/387
D818,806 S *	5/2018	Copeland	D8/387
D820,073 S	6/2018	Iacono	
2005/0067019 A1	3/2005	Trueb et al.	
2014/0081340 A1	3/2014	McDaniel et al.	
2014/0169912 A1	6/2014	Sutterluetti	

* cited by examiner

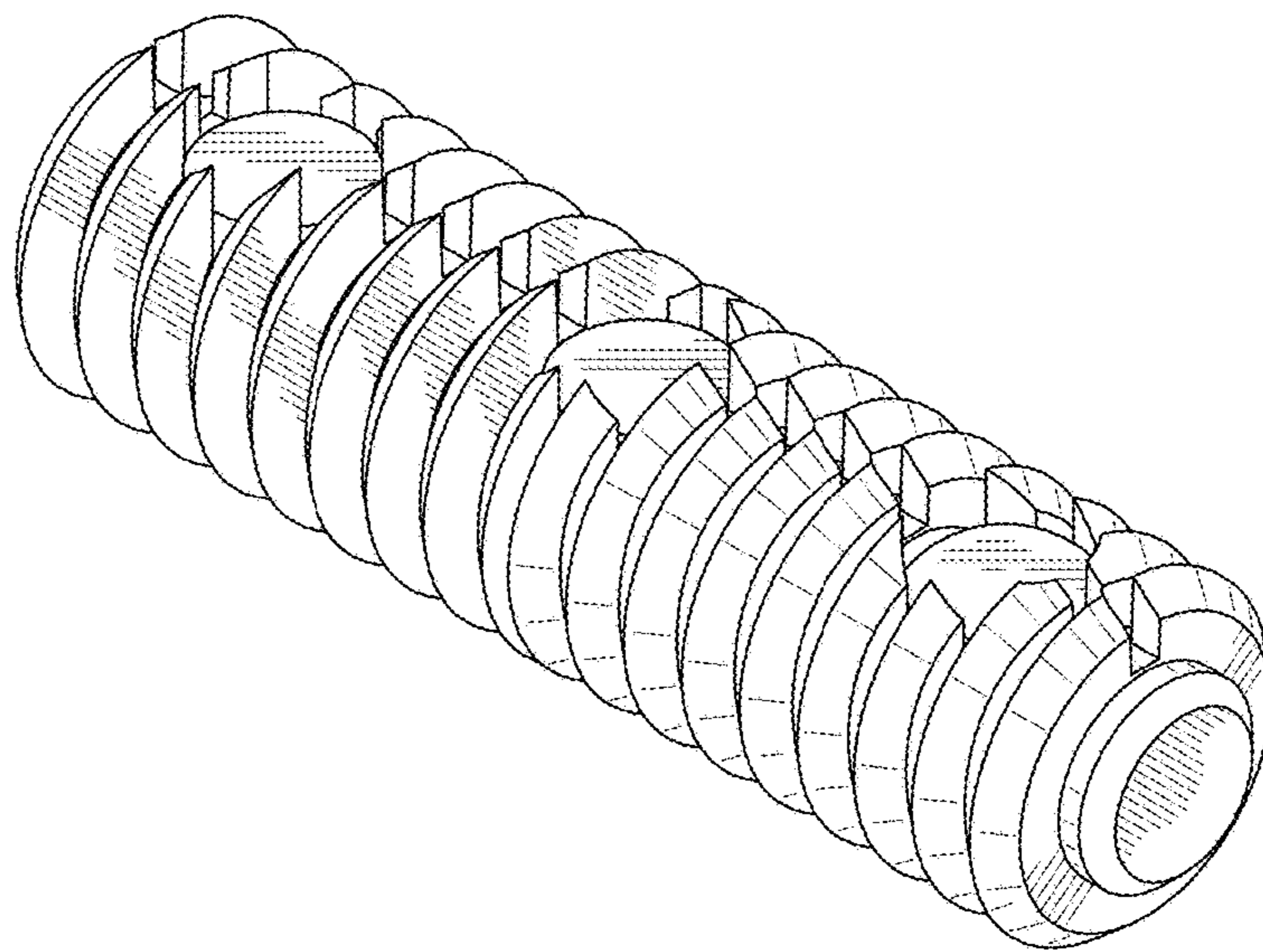


FIG. 1

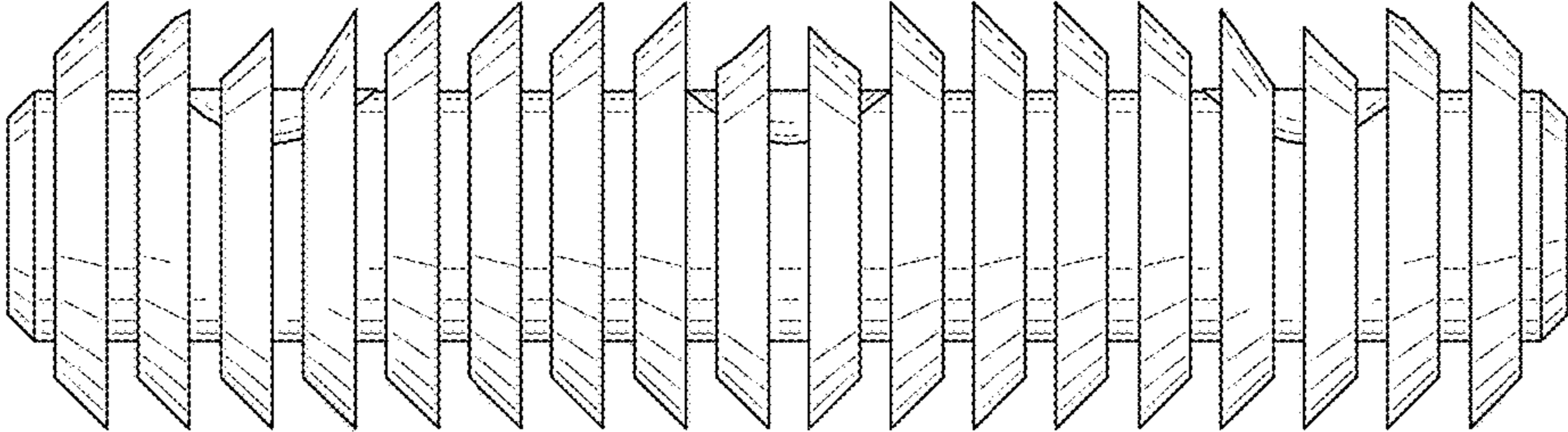


FIG. 2

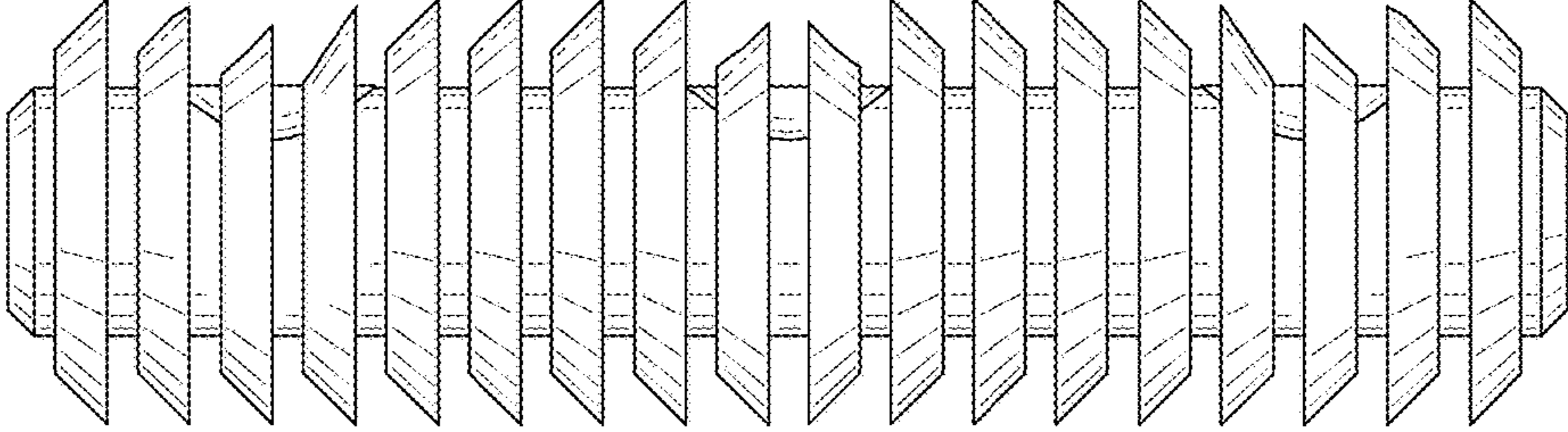


FIG. 3

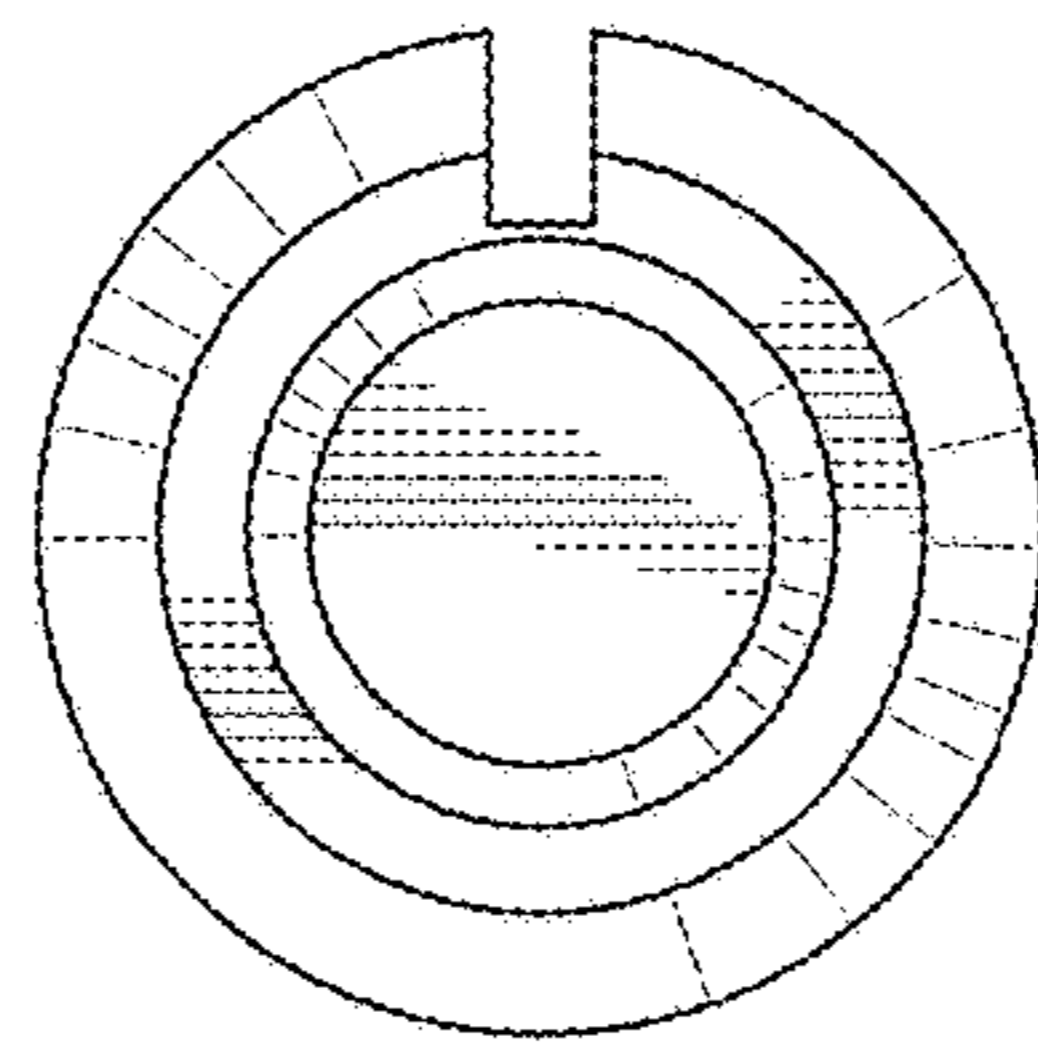


FIG. 4

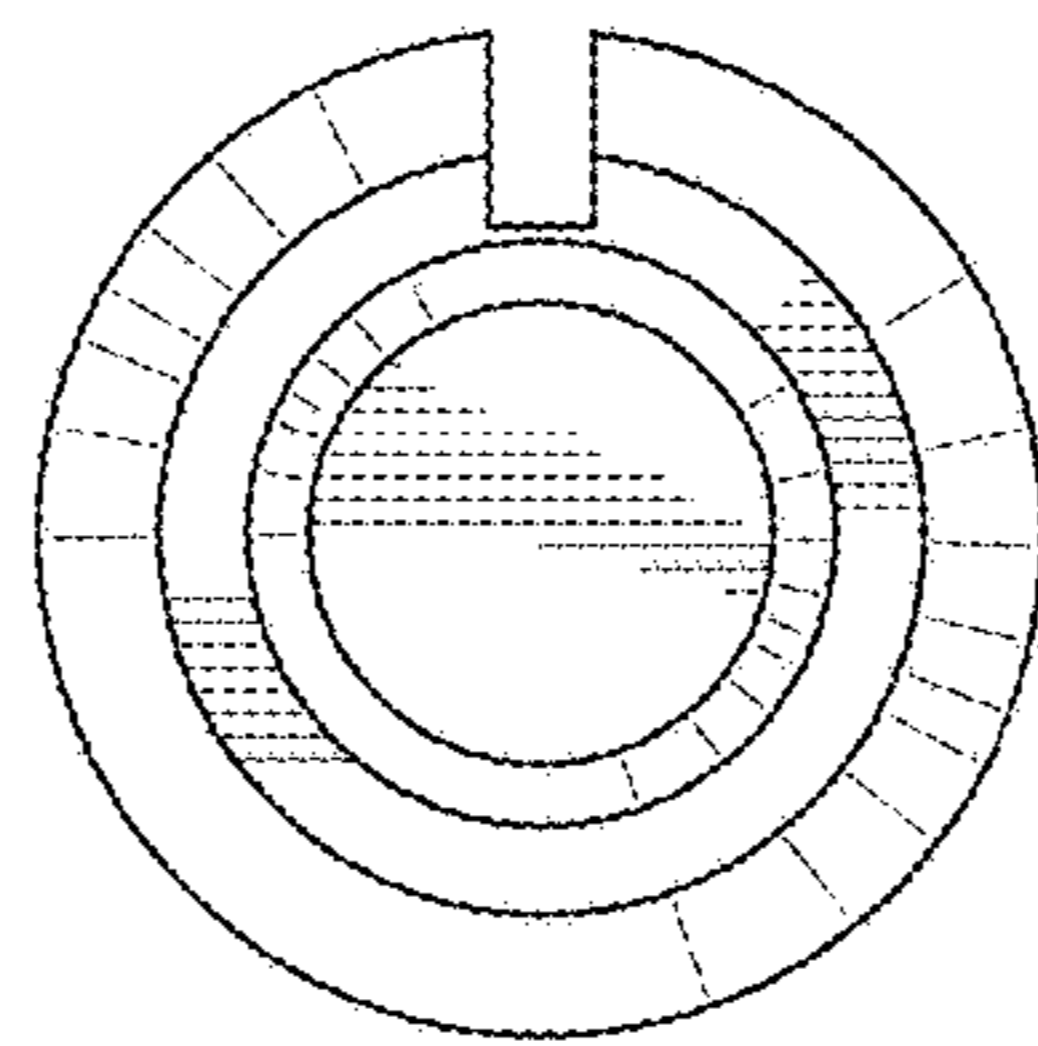


FIG. 5

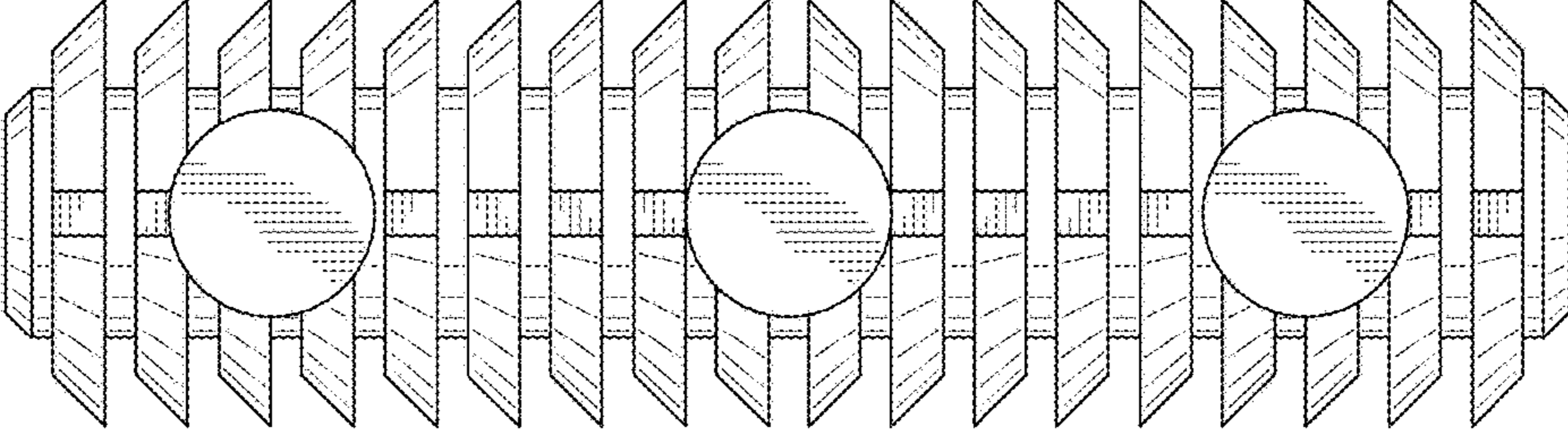


FIG. 6

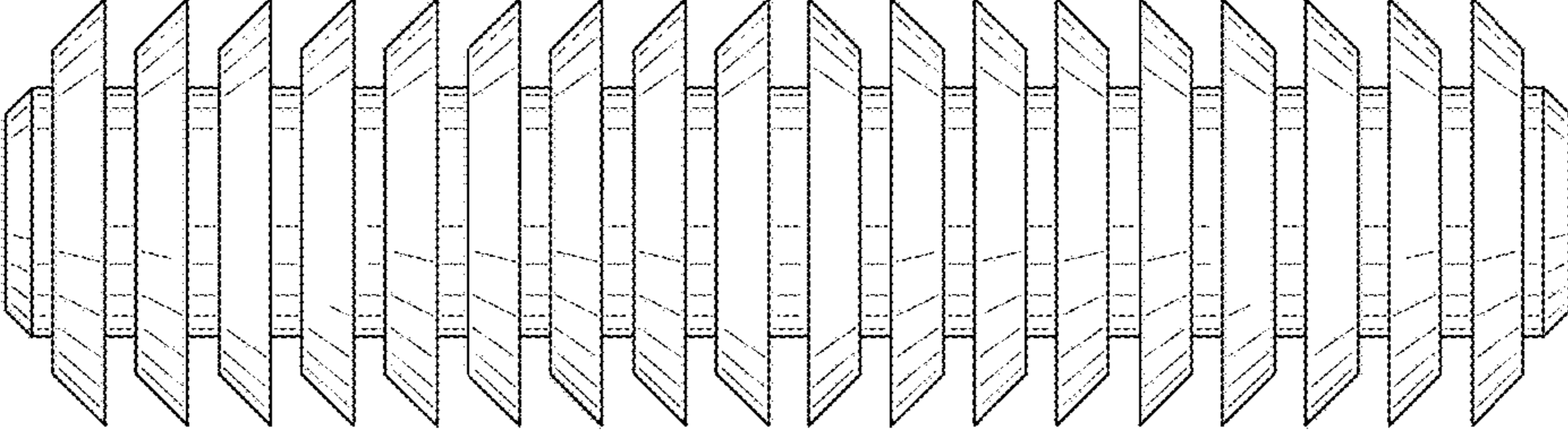


FIG. 7