



US00D859130S

(12) **United States Design Patent**
Spater

(10) **Patent No.:** **US D859,130 S**

(45) **Date of Patent:** **** Sep. 10, 2019**

- (54) **WEBBING BUNGEE KEEPER**
- (71) Applicant: **RADIO SYSTEMS CORPORATION**,
Knoxville, TN (US)
- (72) Inventor: **Christopher Spater**, Burlington, VT
(US)
- (73) Assignee: **Radio Systems Corporation**,
Knoxville, TN (US)
- (**) Term: **15 Years**
- (21) Appl. No.: **29/649,029**
- (22) Filed: **May 25, 2018**
- (51) **LOC (12) Cl.** **09-06**
- (52) **U.S. Cl.**
USPC **D8/356**
- (58) **Field of Classification Search**
USPC D8/356, 354, 349; D30/139; D11/218
See application file for complete search history.

5,435,045 A	7/1995	Anscher	
5,706,560 A	1/1998	Anscher	
5,901,889 A	5/1999	Ho	
6,286,777 B1 *	9/2001	Black B65H 75/06 242/388.6
D483,294 S *	12/2003	Uehara D11/218
6,695,269 B1	2/2004	Anscher	
D507,509 S *	7/2005	Hou D11/218
D508,218 S *	8/2005	Yoshiguchi D11/218
D510,297 S *	10/2005	Funo D11/218
D511,595 S *	11/2005	Bates 54/42.1
D564,409 S *	3/2008	Pontaoe D11/218
D576,077 S *	9/2008	Yoshiguchi D11/218
7,552,515 B2 *	6/2009	Funo A44B 11/04 24/200
D619,497 S *	7/2010	Paik D11/218
D619,498 S *	7/2010	Paik D11/218
D649,907 S *	12/2011	Kataguchi D11/218
D661,573 S *	6/2012	Paik D8/367
D668,580 S *	10/2012	Kax D11/218
D686,059 S *	7/2013	Paik D8/356
D731,921 S *	6/2015	Kung D11/218

(Continued)

Primary Examiner — Cynthia R Underwood
(74) *Attorney, Agent, or Firm* — Baker Donelson

(56) **References Cited**

U.S. PATENT DOCUMENTS

1,226,316 A	5/1917	Depollier	
2,212,862 A	8/1940	Hirsh	
2,315,237 A	3/1943	Wratschko	
3,748,700 A	7/1973	Willey	
3,845,522 A	11/1974	Soukeras	
4,123,012 A *	10/1978	Hough B65H 75/06 242/405.2
5,123,153 A *	6/1992	Krauss A44B 11/10 24/171
5,177,837 A	1/1993	Rekuc	
5,205,021 A *	4/1993	Durand A44B 11/12 24/163 R
5,232,137 A	8/1993	Devine	
5,285,555 A *	2/1994	Bell A44B 11/10 24/171

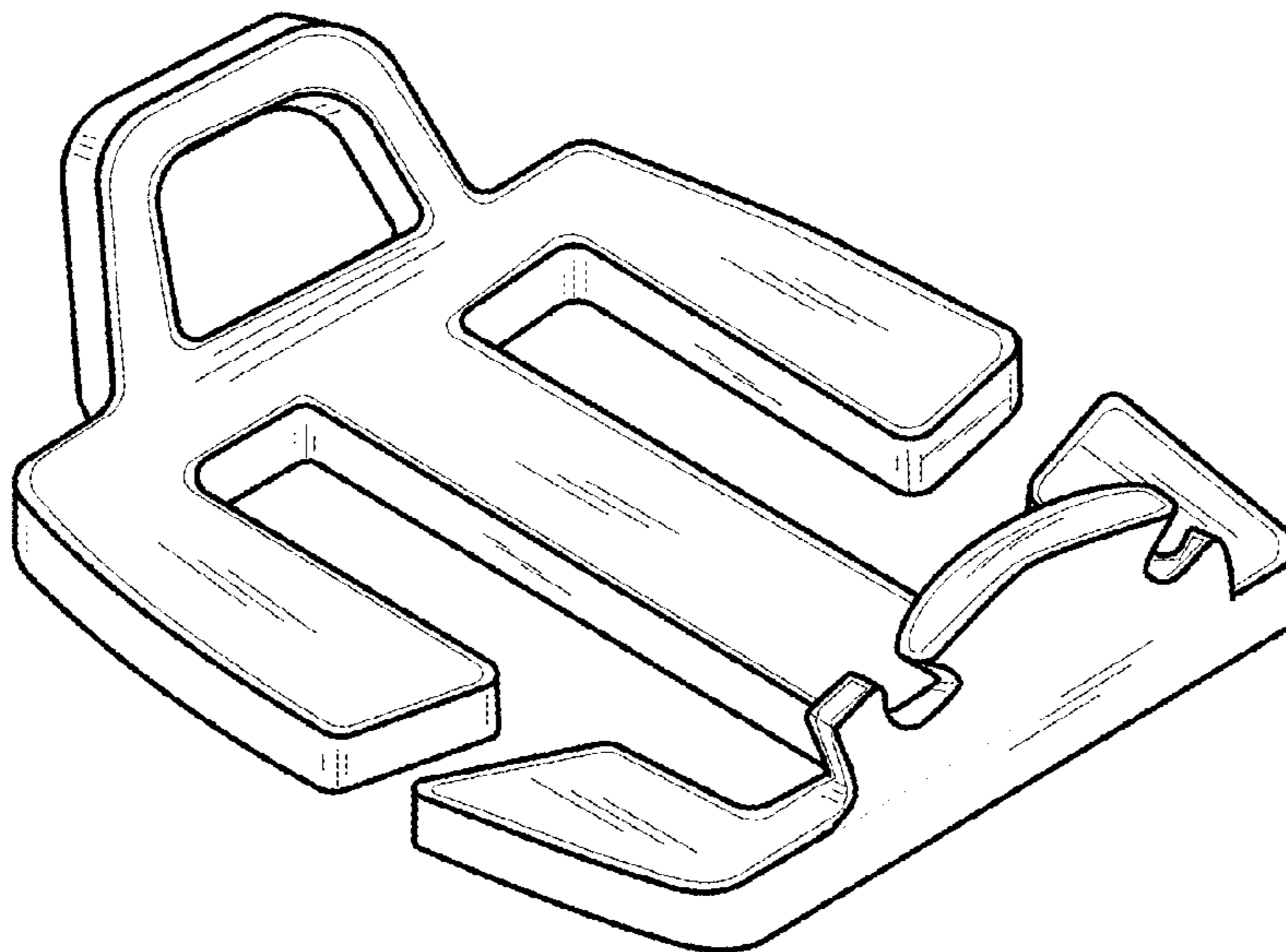
(57) **CLAIM**

The ornamental design for a webbing bungee keeper, as shown and described.

DESCRIPTION

FIG. 1 shows a perspective view of my design for a webbing bungee keeper;
FIG. 2 is a front view thereof;
FIG. 3 is a back view thereof;
FIG. 4 is a top view thereof;
FIG. 5 is a bottom view thereof;
FIG. 6 is a side view thereof; and,
FIG. 7 is another side view thereof.

1 Claim, 2 Drawing Sheets



(56)

References Cited

U.S. PATENT DOCUMENTS

D741,148 S *	10/2015	Liu	D11/218
D742,722 S *	11/2015	Paik	D8/356
D808,251 S *	1/2018	Hetrick	D8/356
D823,717 S *	7/2018	Ho	D11/218
D830,948 S *	10/2018	Fenchak	D12/414
D839,084 S *	1/2019	Mikoska	D8/356
D839,719 S *	2/2019	Burrell	D8/356
D840,869 S *	2/2019	Koreishi	D11/218
D840,870 S *	2/2019	Koreishi	D11/218
D843,887 S *	3/2019	Frost	D11/218
2013/0333119 A1 *	12/2013	Maynard	B25F 1/00 7/163

* cited by examiner

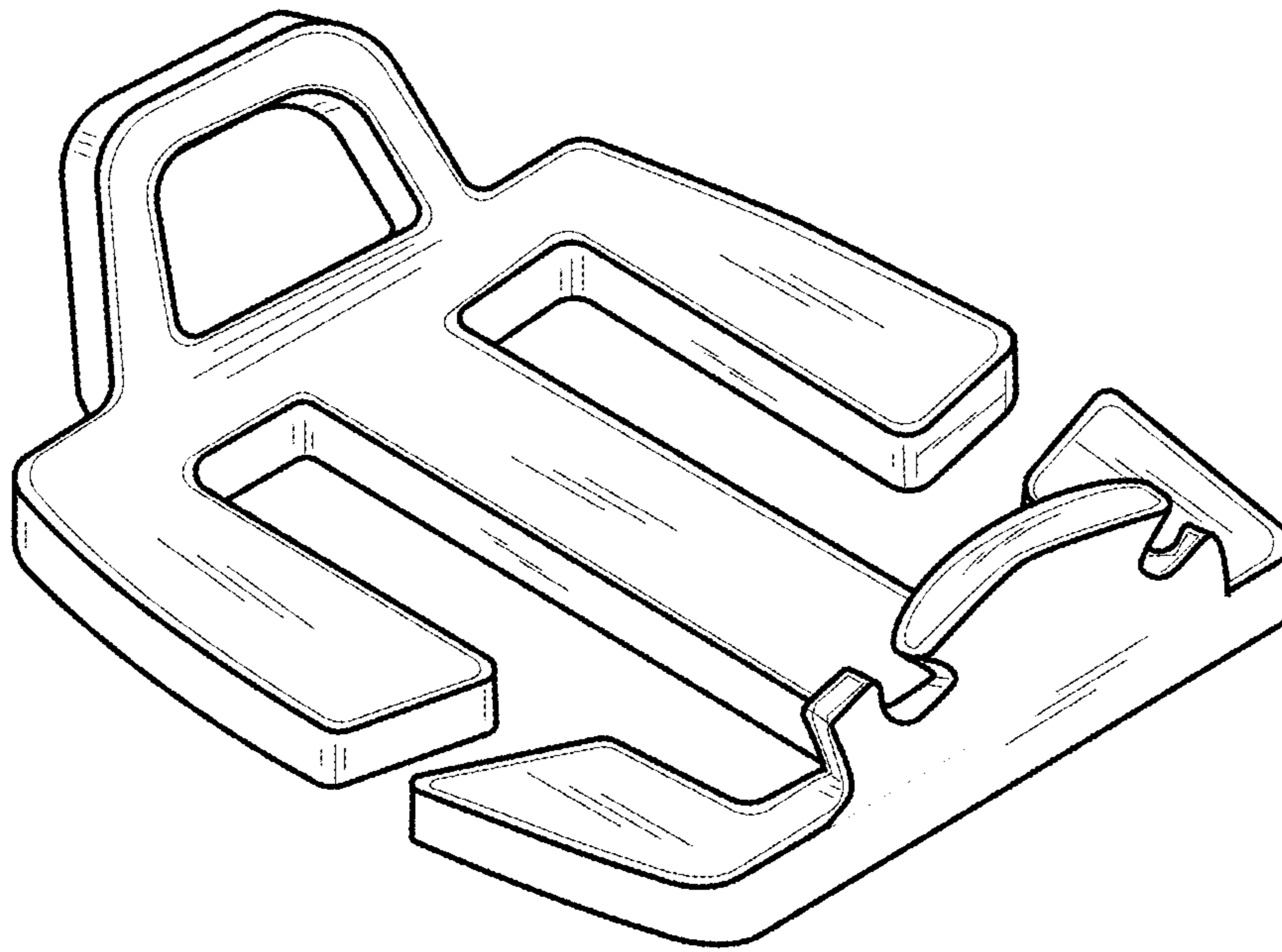


Fig. 1

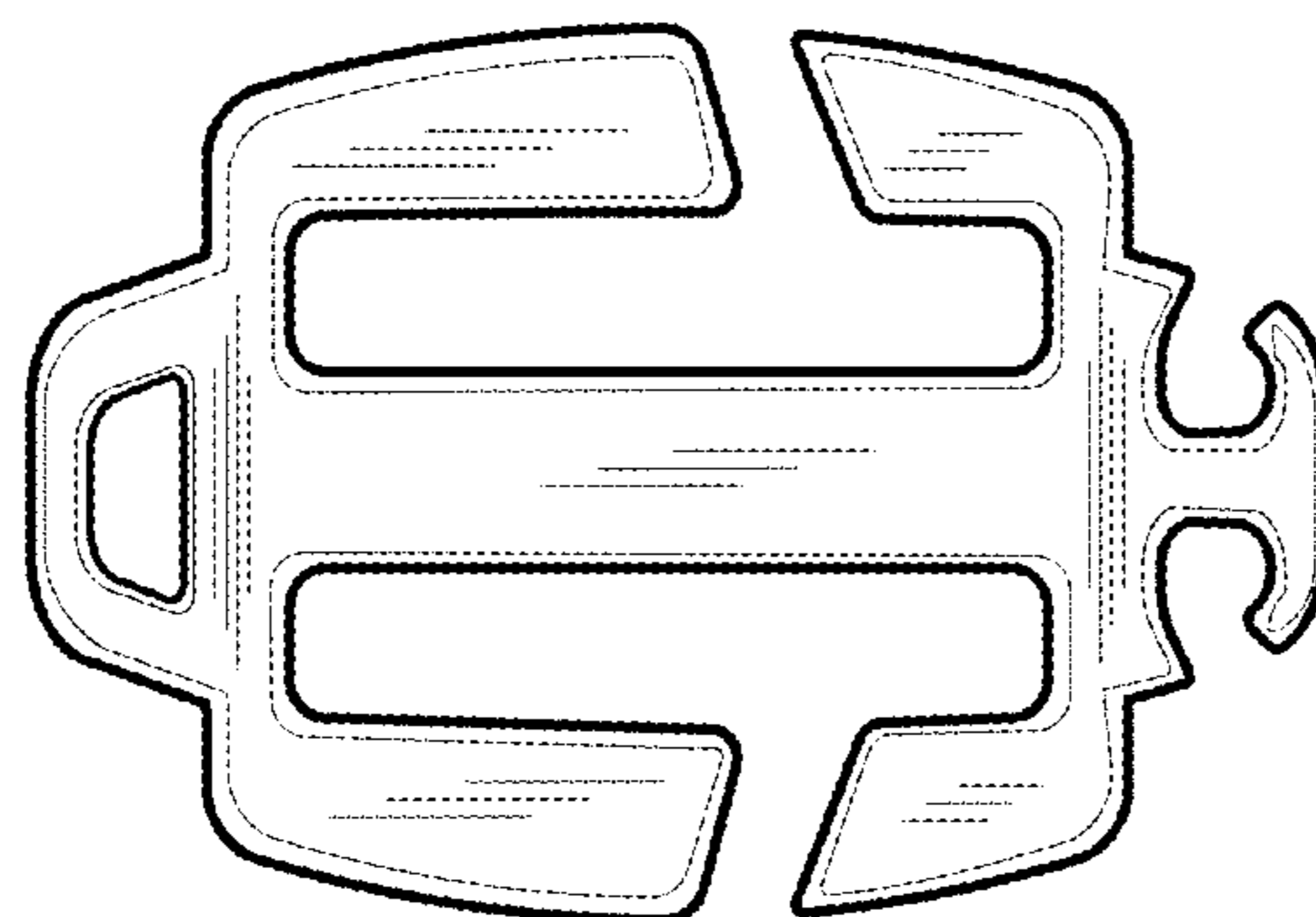


Fig. 2

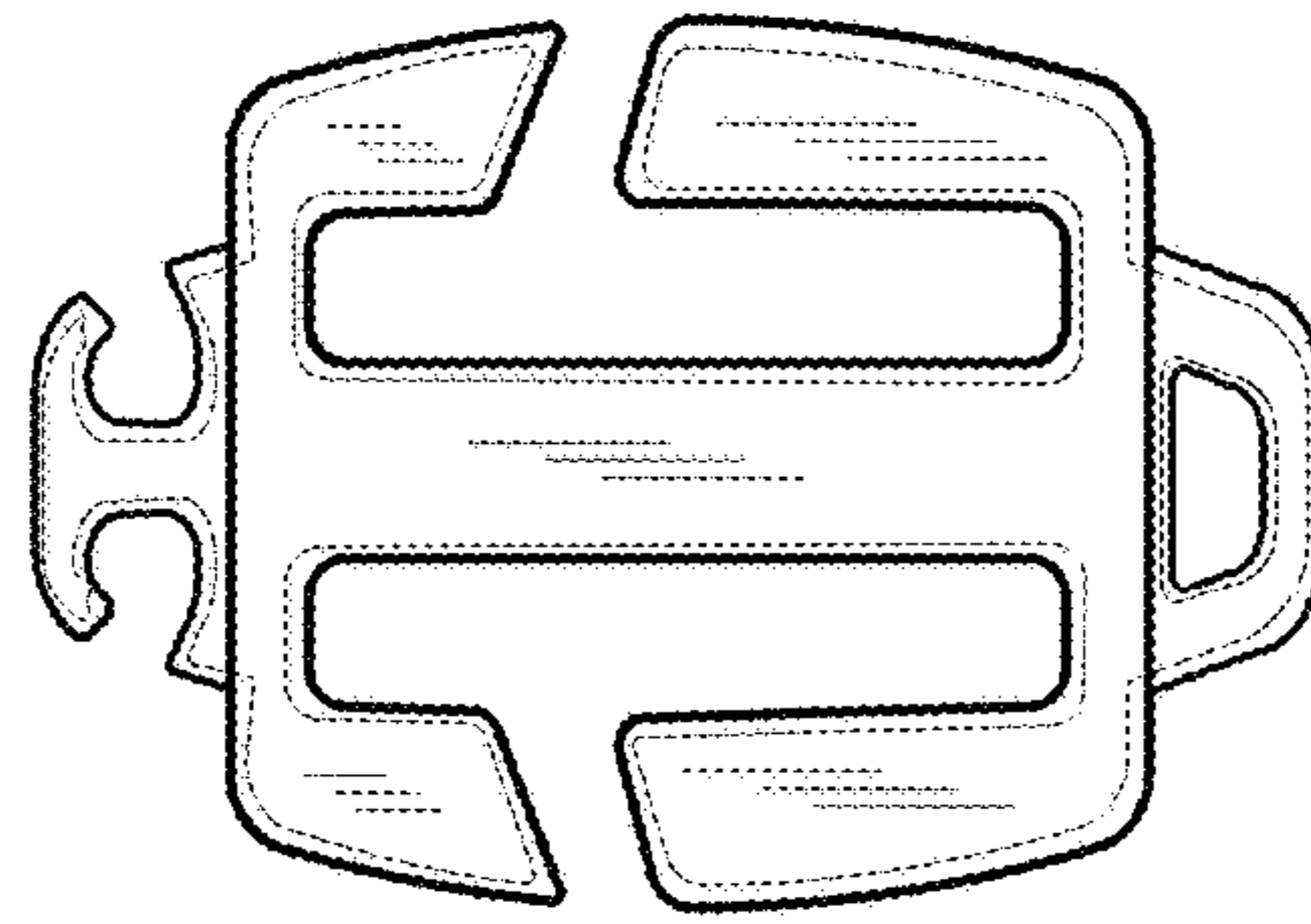


Fig. 3

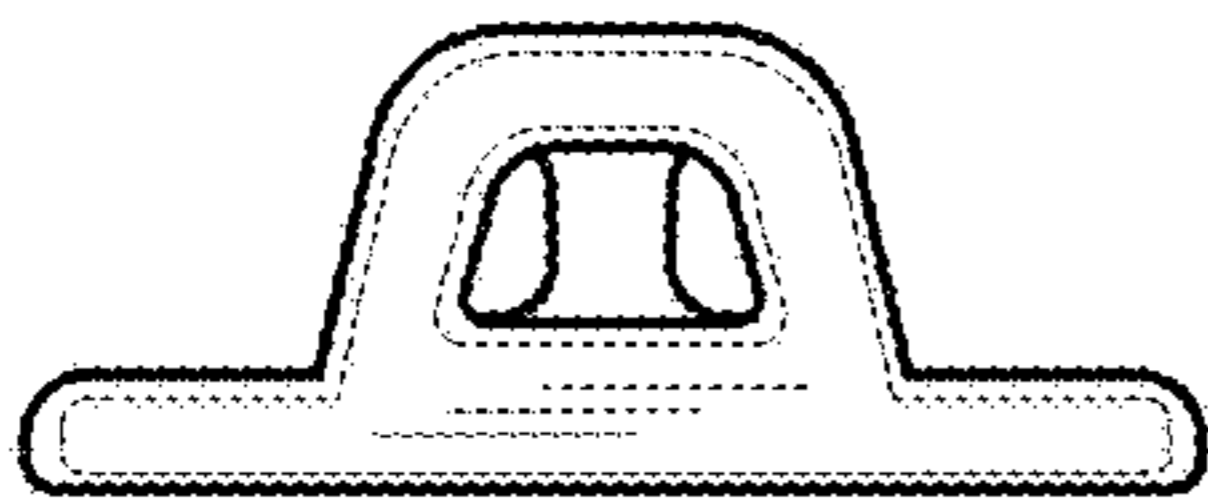


Fig. 4

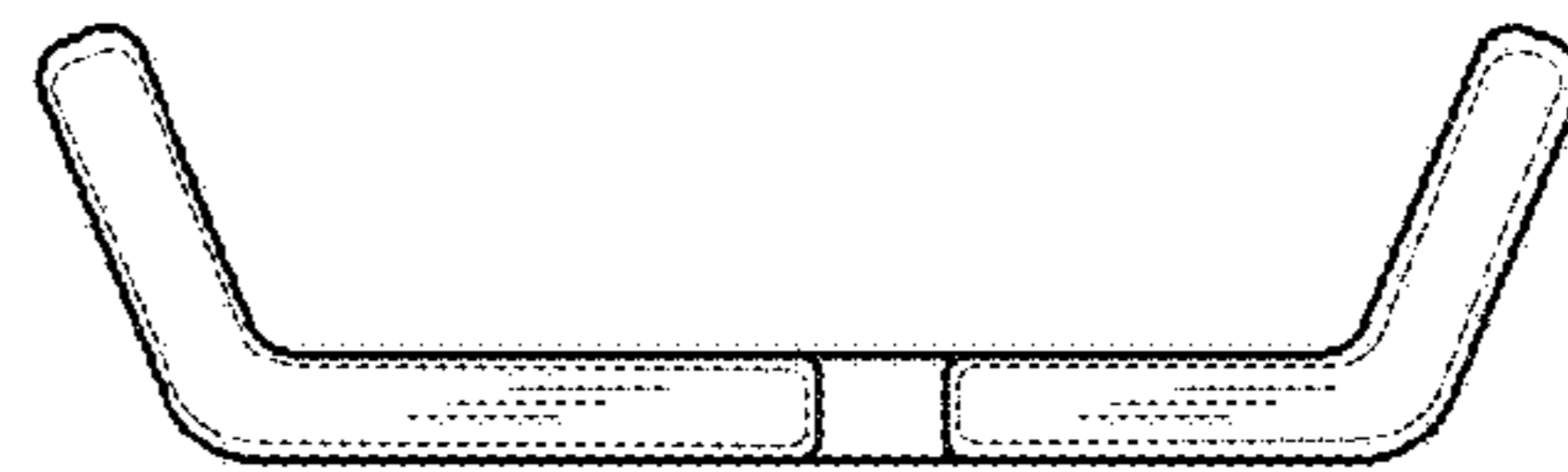


Fig. 6

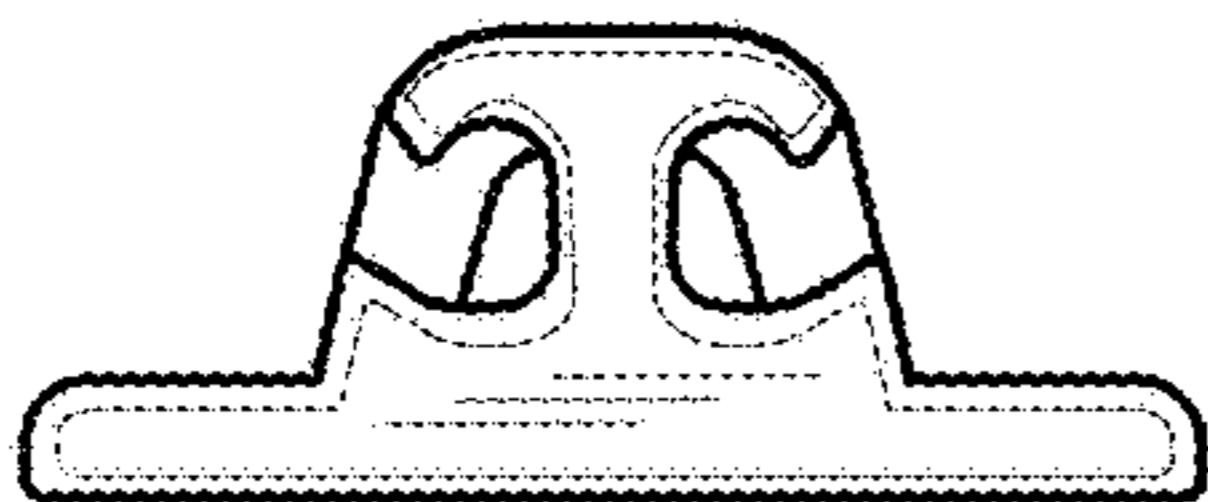


Fig. 5

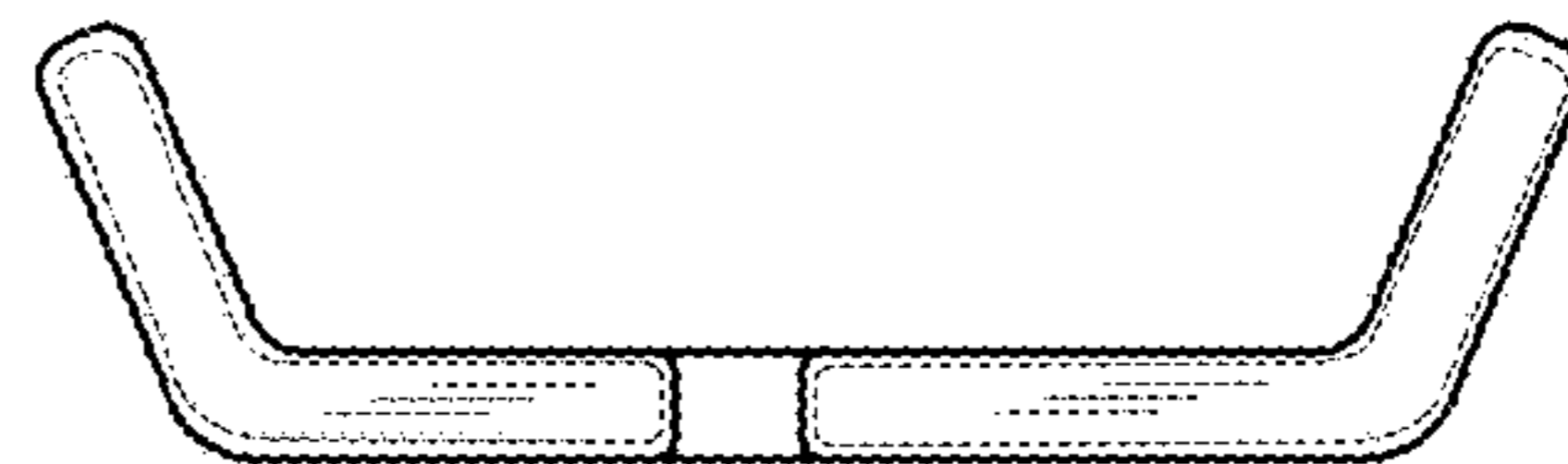


Fig. 7