



US00D859129S

(12) **United States Design Patent** (10) **Patent No.:** **US D859,129 S**
Park et al. (45) **Date of Patent:** **** Sep. 10, 2019**

(54) **LOOP FOR TRANSFORMER**

2224/48227; H01L 2224/48247; H01L 2224/48472; H01L 2224/73257; H01L

(71) Applicant: **KOREA ELECTRIC POWER CORPORATION**, Jeollanam-Do (KR)

(Continued)

(72) Inventors: **Sang-Man Park**, Seoul (KR); **Woon-Yong Choi**, Wonju-si (KR); **Kyu Young Lee**, Seoul (KR); **Min-Ha Lee**, Seoul (KR)

(56) **References Cited**

U.S. PATENT DOCUMENTS

D242,597 S * 12/1976 Gamus D8/343
D246,572 S * 12/1977 Walter D15/140

(Continued)

(73) Assignee: **Korea Electric Power Corporation**, Naju-si, Jeollanam-do (KR)

Primary Examiner — Barbara Fox
Assistant Examiner — Nathaniel D. Buckner

(**) Term: **15 Years**

(74) *Attorney, Agent, or Firm* — Kwang Jun Kim; JD Harriman; Foundation Law Group

(21) Appl. No.: **35/505,267**

(22) Filed: **May 15, 2018**

(57) **CLAIM**

The ornamental design for a loop for transformer, as shown and described.

(80) **Hague Agreement Data**

Int. Filing Date: **May 15, 2018**
Int. Reg. No.: **DM/101851**
Int. Reg. Date: **May 15, 2018**
Int. Reg. Pub. Date: **Jul. 13, 2018**

DESCRIPTION

(30) **Foreign Application Priority Data**

Nov. 17, 2017 (KR) 20171117

(51) **LOC (12) Cl.** **08-05**

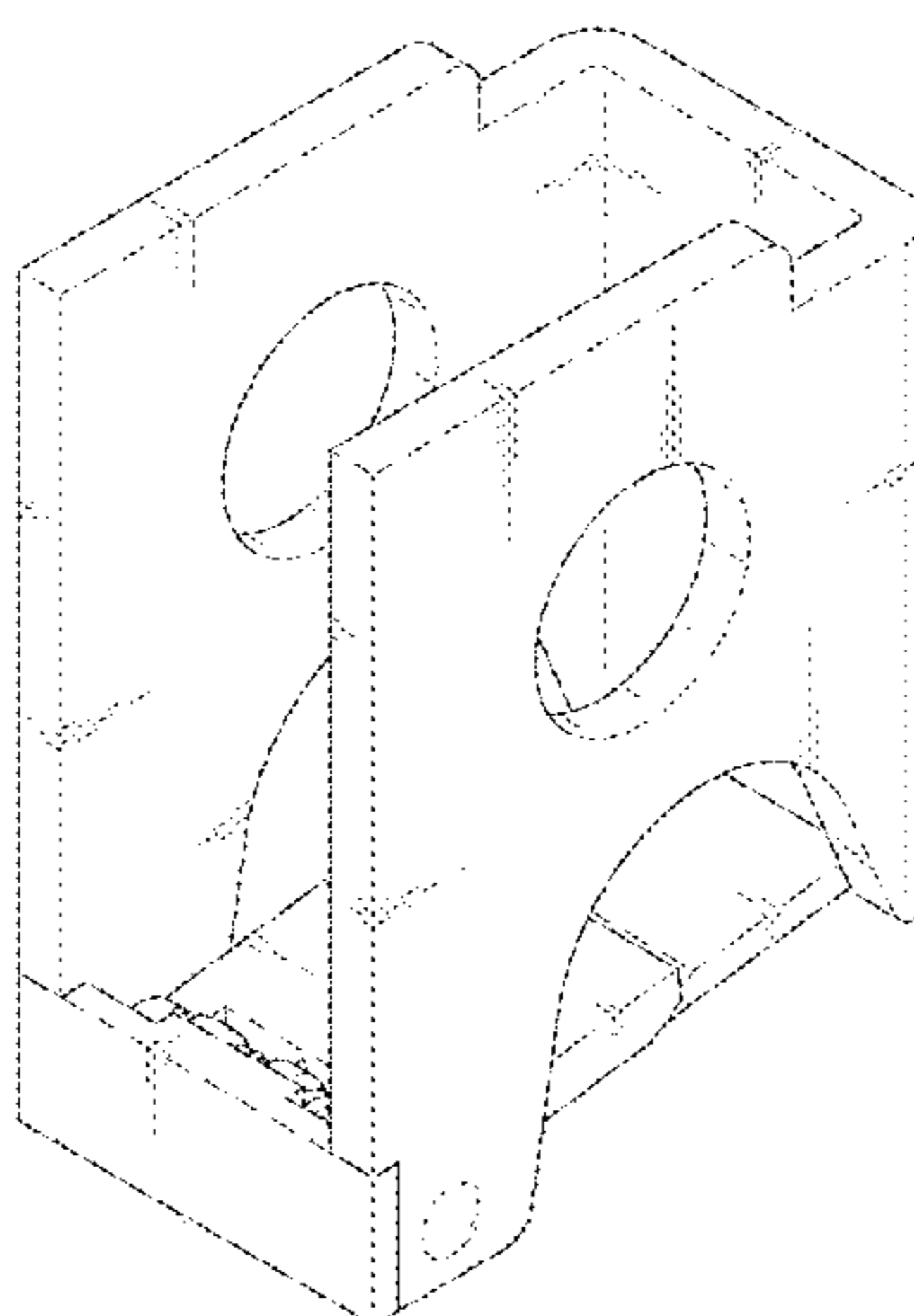
(52) **U.S. Cl.**
USPC **D8/354**

(58) **Field of Classification Search**
USPC D8/331, 333, 336, 342, 343, 344, 345, D8/354, 367, 368, 371, 373, 14, 394, 395, D8/499, 52; D13/161, 178, 160, 173, D13/177, 100, 102, 119, 123, 146, 149, D13/151, 154; D12/97

CPC . H01L 2224/45015; H01L 2224/73265; H01L 2224/32225; H01L 2224/451; H01L 2224/45124; H01L 2224/49111; H01L 2224/49109; H01L 2224/48091; H01L 2224/20757; H01L 2224/20758; H01L 2224/45144; H01L 2224/45147; H01L

1. Loop for transformer
1.1 : Perspective
1.2 : Front
1.3 : Back
1.4 : Left
1.5 : Right
1.6 : Top
1.7 : Bottom
1.8 : Rear perspective view
1.9 : Perspective view in environment of use
1.1 is a front perspective view of a loop for transformer showing the new design; 1.2 is a front view thereof; 1.3 is a rear view thereof; 1.4 is a left view thereof; 1.5 is a right view thereof; 1.6 is a top view thereof; 1.7 is a bottom view thereof; 1.8 is a rear perspective view thereof; and 1.9 is another perspective view thereof, shown in an environment of use; the broken lines in the figures depicting portions of the loop for transformer form no part of the claimed design;

(Continued)



the broken lines showing a transformer in 1.9 are for showing environment and form no part of the claimed design.

1 Claim, 9 Drawing Sheets

(58) Field of Classification Search

CPC 2224/83385; H01L 2924/00012; H01L 2924/181; H01L 2924/01004; H01L 2924/01047; H01L 2924/0105; H01L 2924/01322; H01L 2924/01327; H01L 2924/12044; H01L 2924/13091; H01L 2924/19105; H01L 2924/01005; H01L 2924/01006; H01L 2924/01013; H01L 2924/01029; H01L 2924/01033; H01L 2924/01079; H01L 2924/01082; H01L 2924/014; H01L 2924/3512; H01L 2924/2075; H01L 2924/20751; H01L 2924/20752; H01L 2924/20753; H01L 2924/20754; H01L 2924/20755; H01L 2924/20756; H01L 2924/2076; H01L 2924/0002; H01L 2924/12041; H01L 2924/1301; H01L 2924/13033; H01L 2924/13034; H01L 2924/1305; H01L 2924/13055; H01L 2924/14; H01L 2924/30107; H01L 2924/3025; H01L 2924/00014; H01L 2924/00; H01L 23/36;

H01L 23/3121; H01L 23/10; H01L 23/142; H01L 23/3107; H01L 23/38; H01L 23/40; H01L 23/427; H01L 23/4275; H01L 23/4334; H01L 23/49537; H01L 23/49562; H01L 23/49568; H01L 23/49575; H01L 23/59586; H01L 23/49811; H01L 23/5256; H01L 24/45; H01L 24/48; H01L 24/73; H01L 24/27; H01L 24/49; H01L 21/563; H01L 25/167; H01L 25/18; H01L 25/50; H01L 29/00; H01H 2085/209; H01H 2085/2035; H01H 85/2045

See application file for complete search history.

(56)

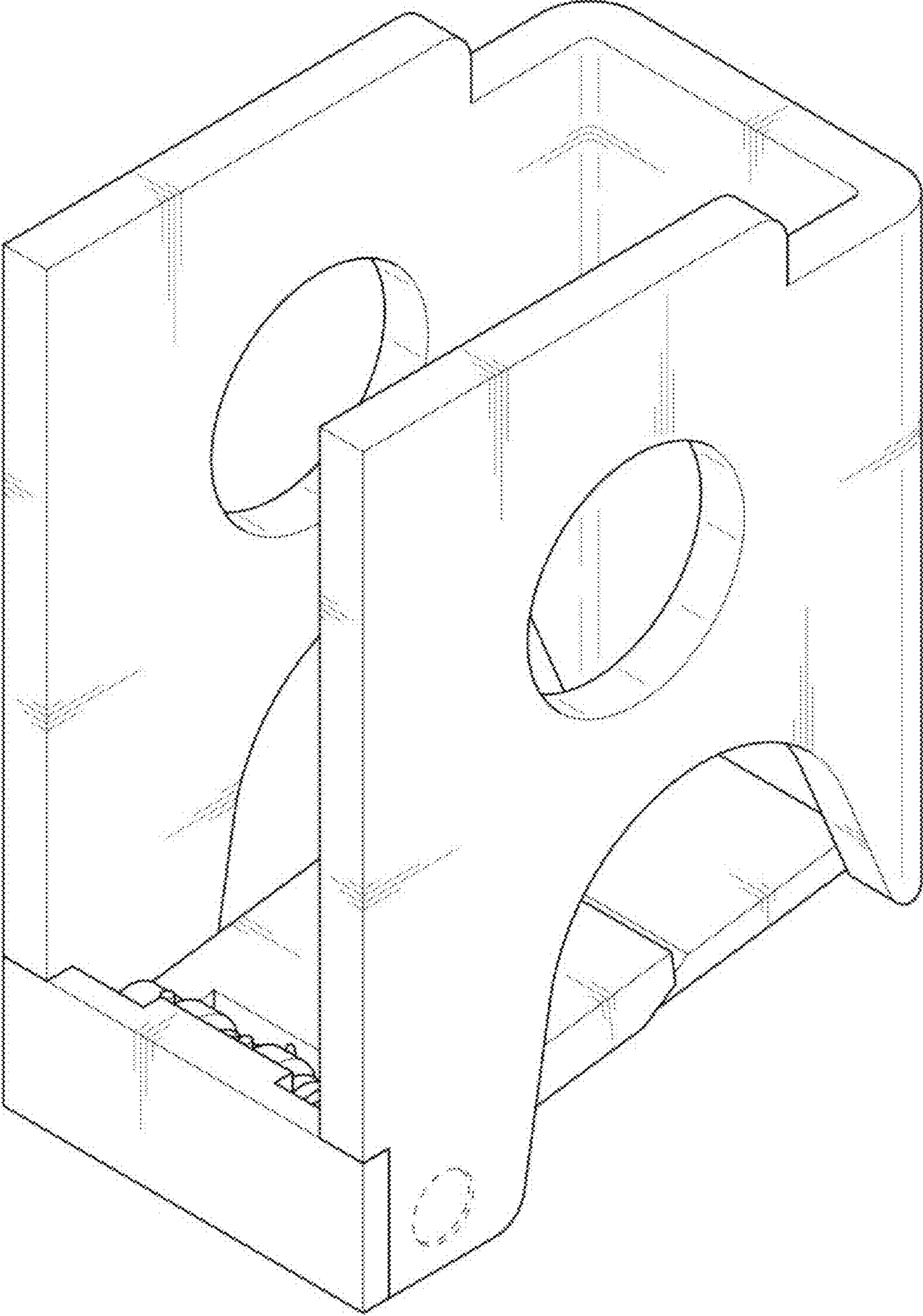
References Cited

U.S. PATENT DOCUMENTS

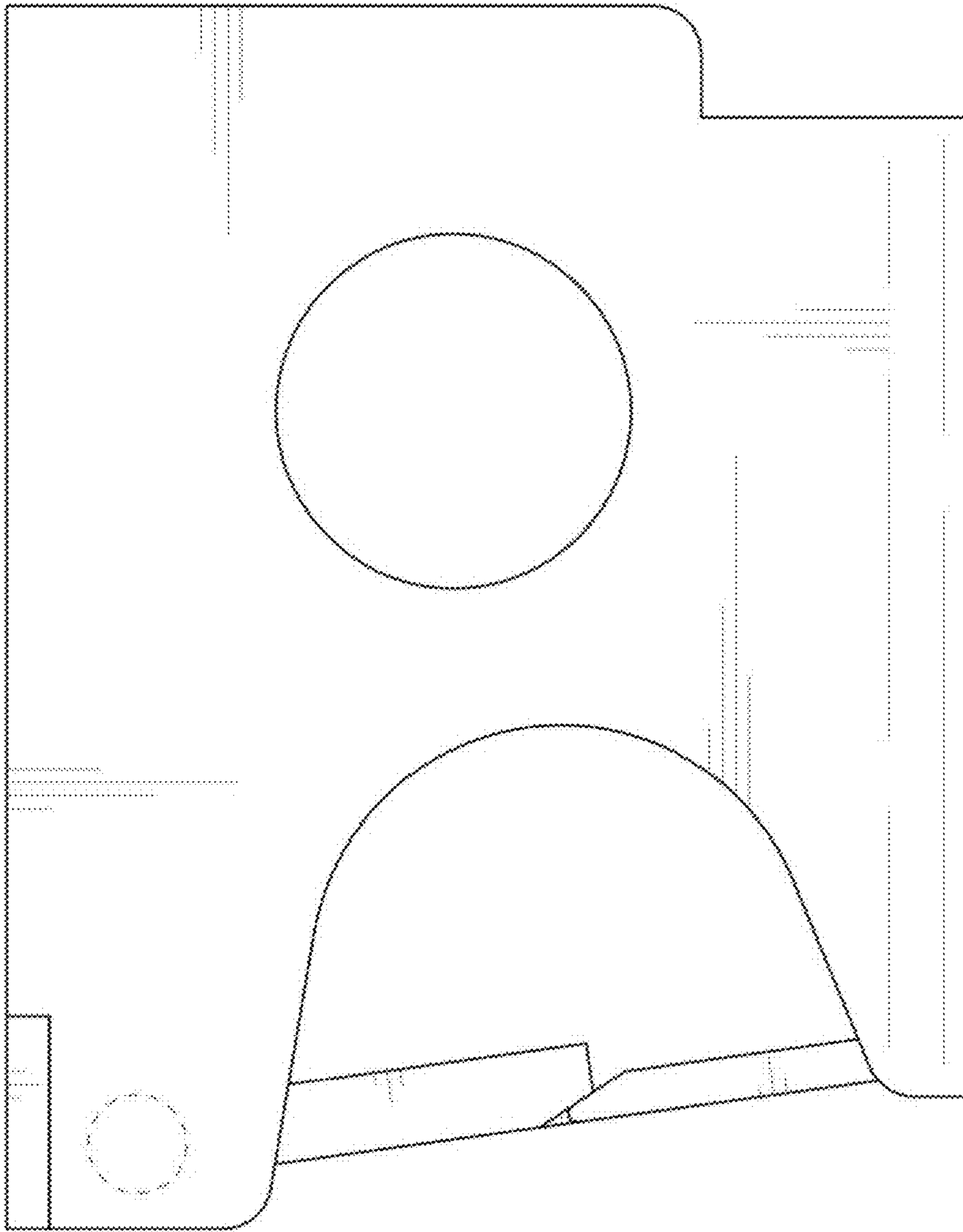
D254,615 S * 4/1980 Evans D13/178
D260,481 S * 9/1981 Norcross D8/354
D373,947 S * 9/1996 Parduhn D8/373
D377,141 S * 1/1997 Ford D8/331
D399,724 S * 10/1998 Barringer D8/354
6,147,581 A * 11/2000 Rancourt H01F 27/02
336/65
D661,976 S * 6/2012 Richter D8/354
D754,228 S * 4/2016 O'Neill D16/130
D768,466 S * 10/2016 Simmons D8/354
D839,212 S * 1/2019 Stolze D13/154
D842,684 S * 3/2019 House D8/354

* cited by examiner

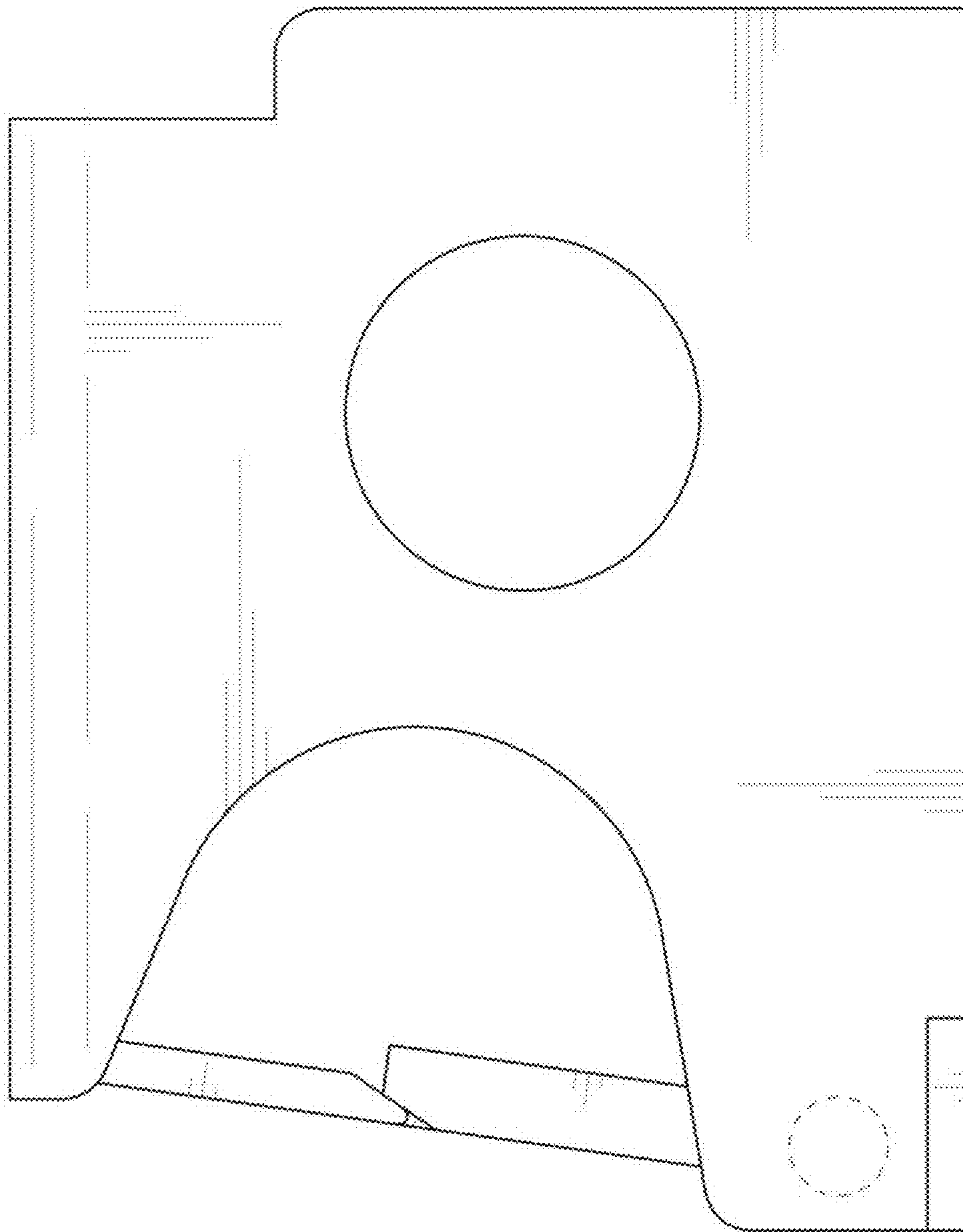
1.1



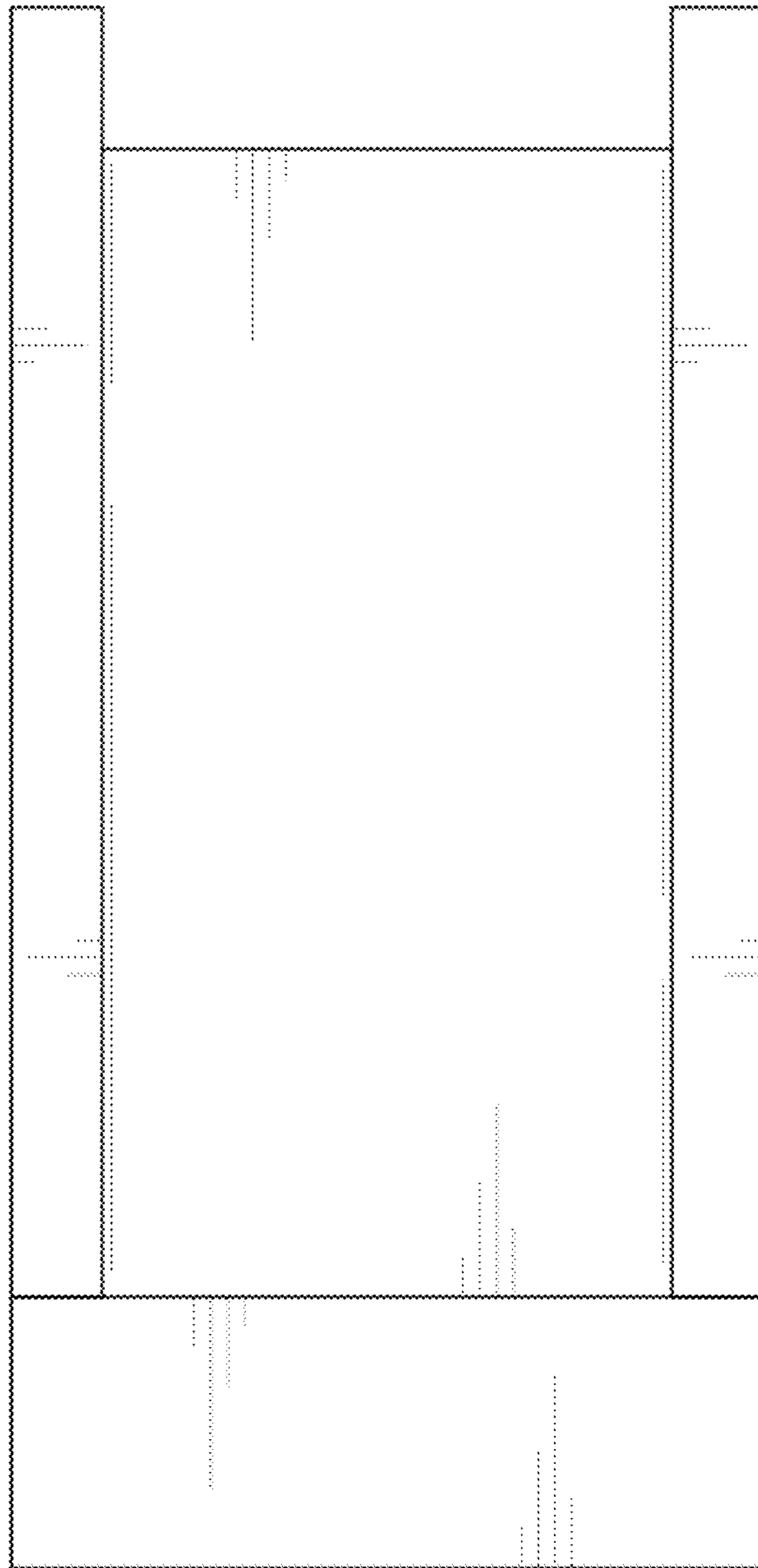
1.2



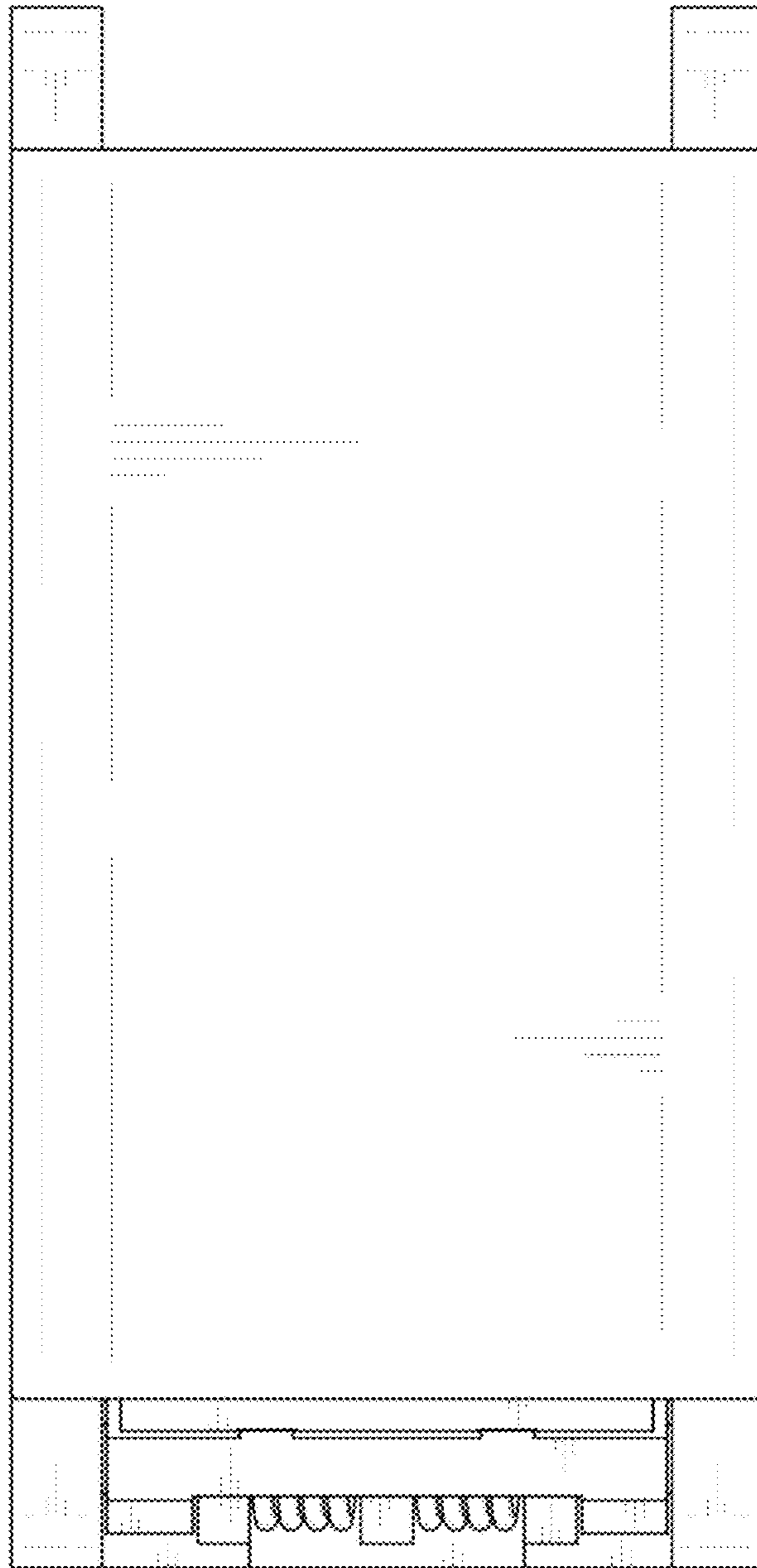
1.3



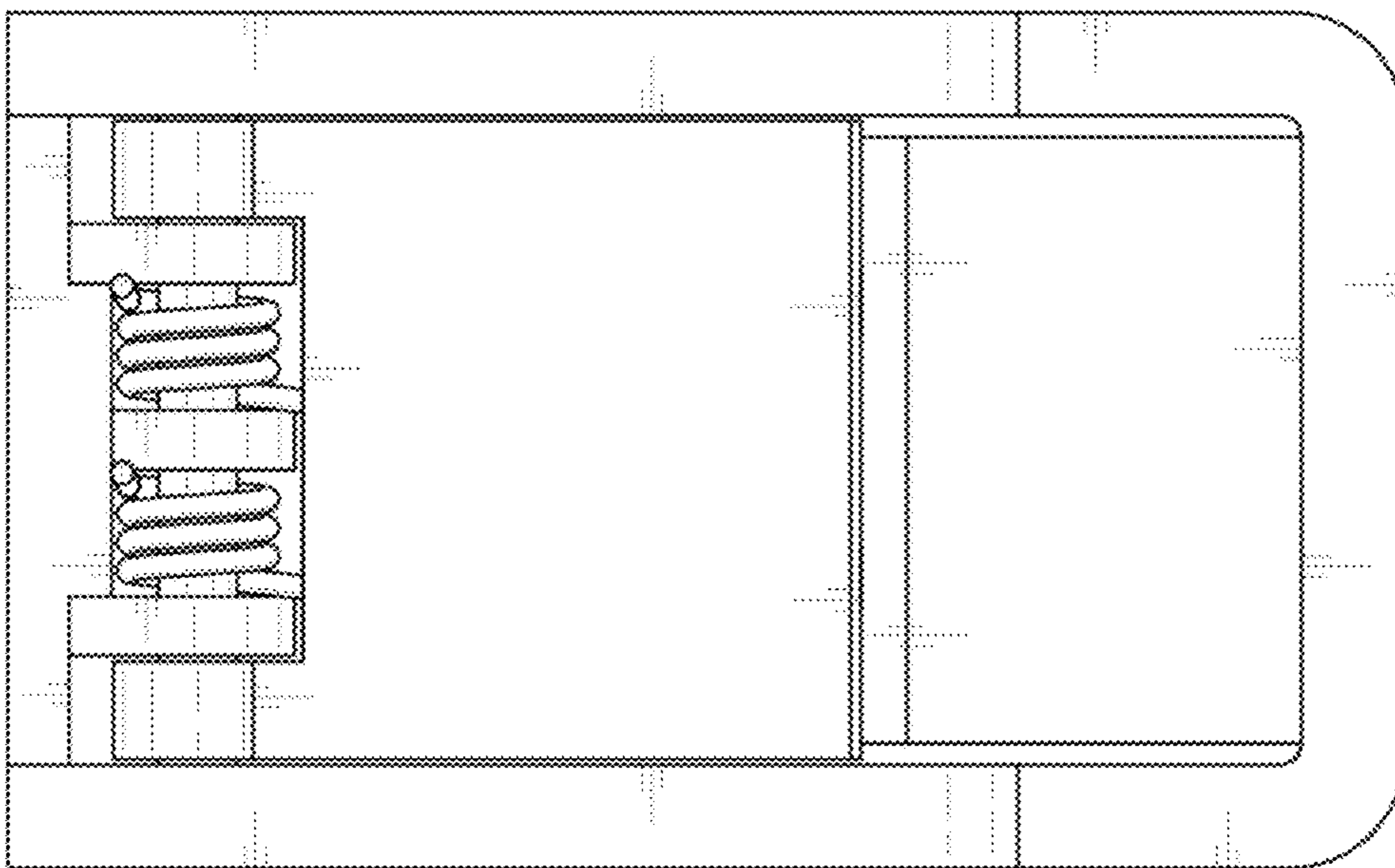
1.4



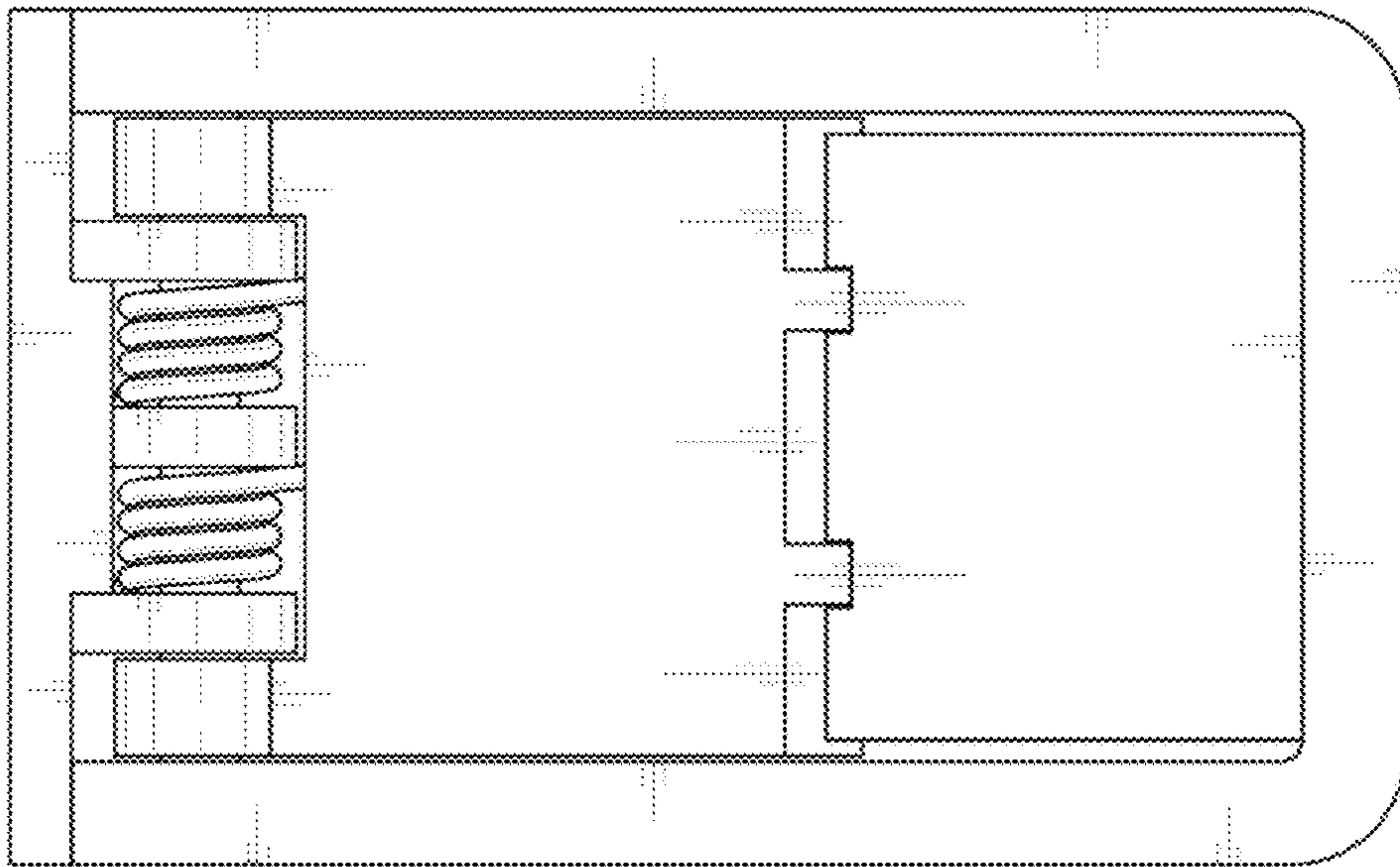
1.5



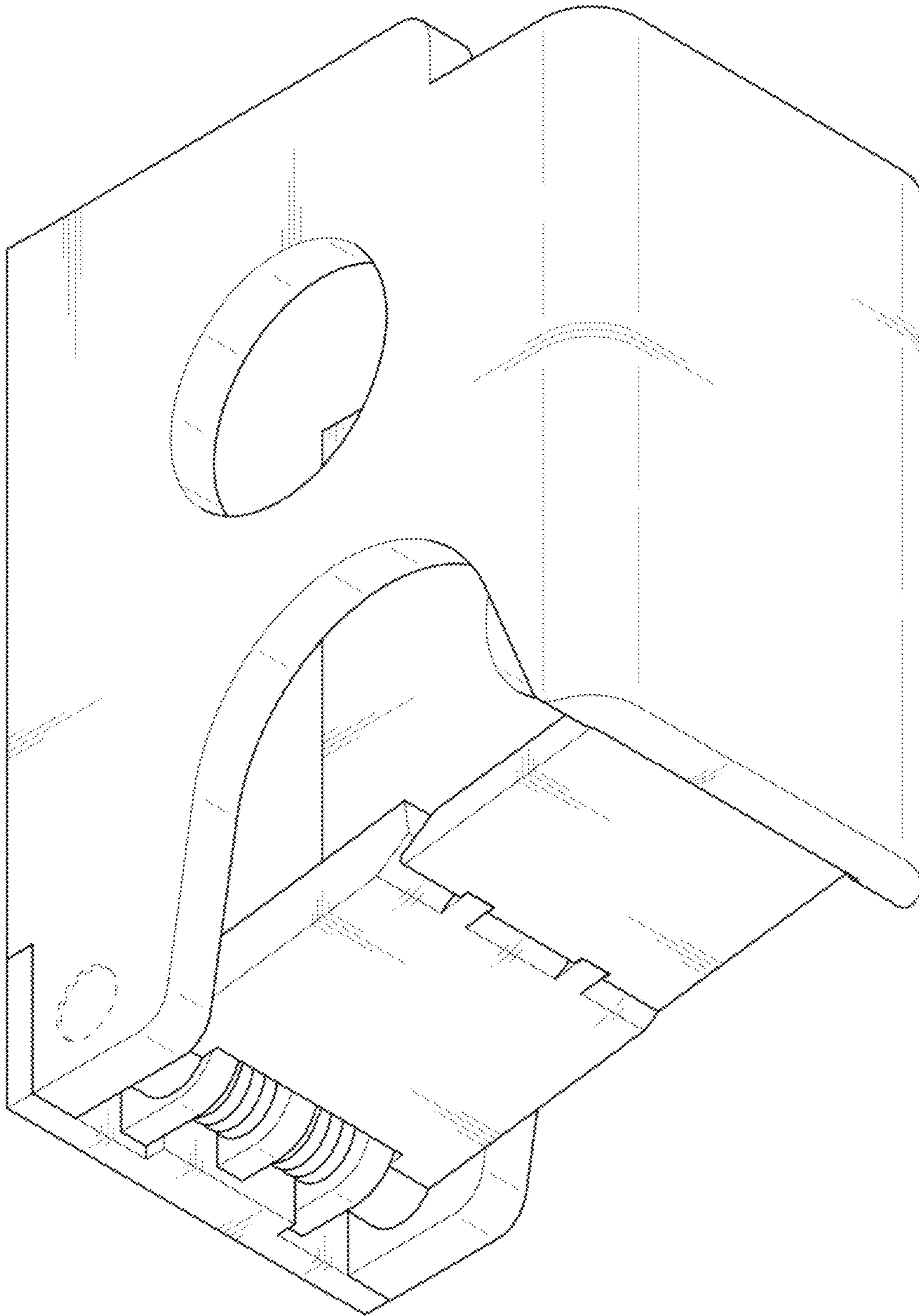
1.6



1.7



1.8



1.9

