



US00D859128S

(12) **United States Design Patent**  
**Grewe et al.**

(10) **Patent No.:** **US D859,128 S**

(45) **Date of Patent:** **\*\* Sep. 10, 2019**

- (54) **COLD ROOM DOOR CLOSER**
- (71) Applicant: **Kason Industries, Inc.**, Newnan, GA (US)
- (72) Inventors: **Brian Grewe**, Mableton, GA (US);  
**Brett A. Mitchell**, Newnan, GA (US)
- (73) Assignee: **KASON INDUSTRIES, INC.**,  
Newnan, GA (US)
- (\*\*) Term: **15 Years**
- (21) Appl. No.: **29/626,028**
- (22) Filed: **Nov. 14, 2017**
- (51) **LOC (12) Cl.** ..... **08-07**
- (52) **U.S. Cl.**  
USPC ..... **D8/330**
- (58) **Field of Classification Search**  
USPC ..... D8/327, 328, 329, 330, 336, 353;  
D23/303; 16/225, 250, 682, 309, 235,  
16/275, 244, 379, 390, 430, 241, 238,  
16/245, 236, 243, 242, 385; 4/236, 240  
CPC ..... Y10T 16/304; Y10T 16/2771; Y10T  
16/5386; Y10T 16/53862; Y10T  
16/538627; Y10T 16/538633; Y10T  
16/53888; Y10T 16/5389; E05D 7/0009;  
E05D 7/081; E05D 7/00; E05F 3/20;  
E05F 1/1025  
See application file for complete search history.

- (56) **References Cited**  
U.S. PATENT DOCUMENTS  
1,712,914 A \* 5/1929 Burnham ..... E05F 3/02  
16/70  
2,520,616 A \* 8/1950 Wasson ..... E05F 1/1215  
16/300  
3,188,683 A \* 6/1965 Check ..... E05F 3/06  
16/59  
4,073,038 A \* 2/1978 Curry ..... E05F 1/1215  
16/301

- 4,314,722 A \* 2/1982 Logan, Jr. .... E05B 65/1046  
292/263
- D429,992 S \* 8/2000 Ginzel ..... D8/330
- 6,421,876 B1 \* 7/2002 Ginzel ..... E05F 3/00  
16/59
- 6,718,806 B2 \* 4/2004 Davis ..... E05B 15/0053  
70/223
- 7,210,199 B2 \* 5/2007 Clark ..... E05D 5/06  
16/299
- 7,841,047 B2 \* 11/2010 Juntunen ..... E05F 3/12  
16/51
- D649,008 S \* 11/2011 Caffin ..... D8/323
- D673,024 S \* 12/2012 Caffin ..... D8/323
- 8,683,654 B2 \* 4/2014 Chen ..... E05D 11/087  
16/301

(Continued)

**OTHER PUBLICATIONS**

Kason 1097 Door closer mounting instructions Nov. 7, 2016.

*Primary Examiner* — Ian Simmons

*Assistant Examiner* — Yolanda Robinson

(74) *Attorney, Agent, or Firm* — Baker Donelson; Dorian B. Kennedy

(57) **CLAIM**

The ornamental design for a cold room door closer, as shown and described.

**DESCRIPTION**

FIG. 1 is a perspective view of a cold room door closer showing our new design.

FIG. 2 is a bottom view thereof.

FIG. 3 is a top view thereof.

FIG. 4 is a right side view thereof.

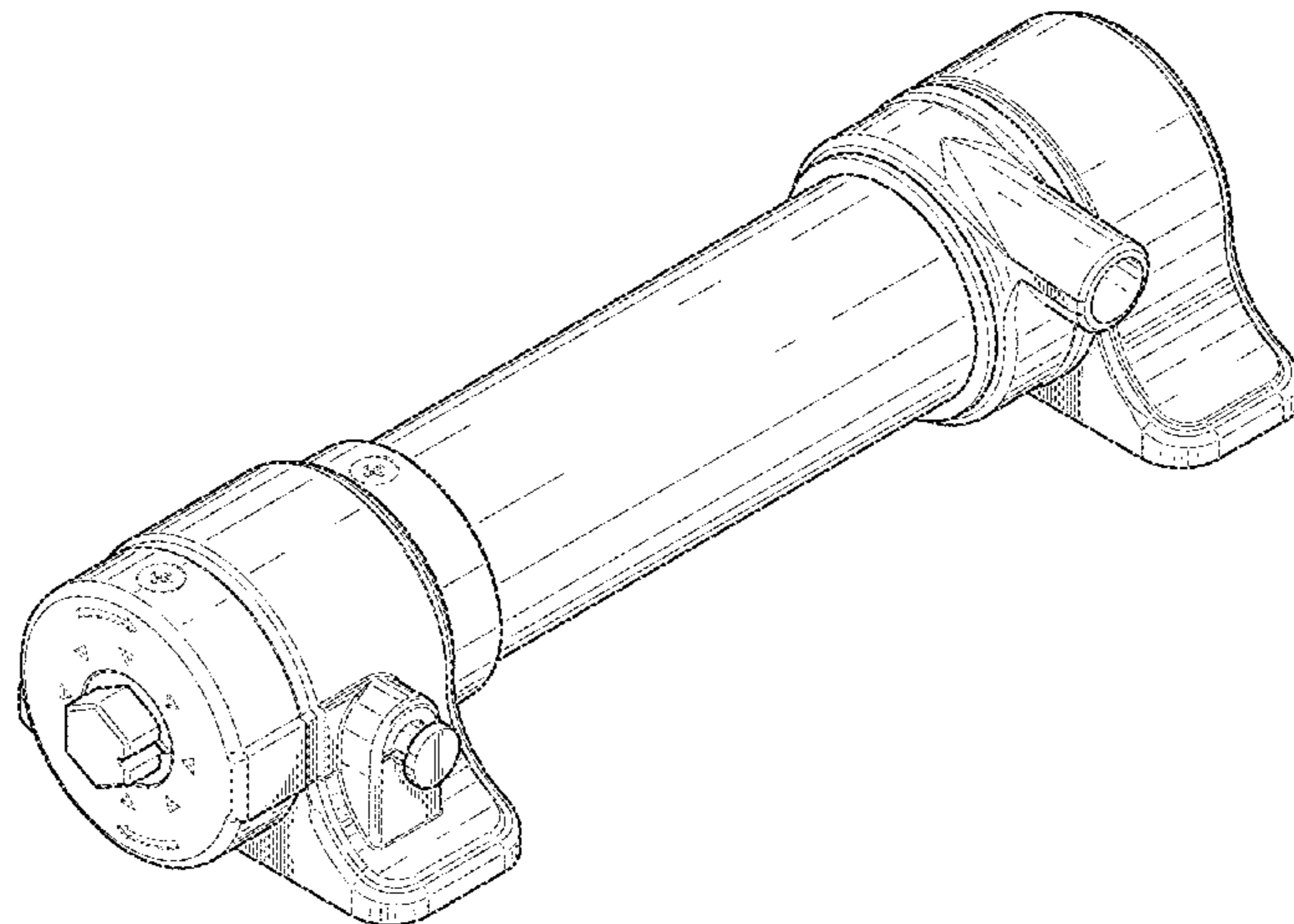
FIG. 5 is a left side view thereof.

FIG. 6 is a front view thereof; and,

FIG. 7 is a rear view thereof.

The broken lines depict portions of the cold room door closer that form no part of the claimed design.

**1 Claim, 5 Drawing Sheets**



(56)

**References Cited**

U.S. PATENT DOCUMENTS

D715,129 S \* 10/2014 Quinn ..... D8/330  
 8,943,652 B2 \* 2/2015 Bacchetti ..... E05D 11/1014  
 16/378  
 8,991,009 B1 \* 3/2015 Russo ..... E05F 1/10  
 16/285  
 9,009,916 B2 \* 4/2015 Nagl ..... E05F 3/20  
 16/256  
 D740,643 S \* 10/2015 Watson ..... D8/330  
 D744,096 S \* 11/2015 Van Dullemen ..... D24/133  
 D760,060 S \* 6/2016 Groleski ..... D8/330  
 D776,513 S \* 1/2017 Mateko ..... D8/331  
 D784,111 S \* 4/2017 Gordon ..... D8/330  
 9,803,408 B2 \* 10/2017 Timothy ..... E05F 1/1207  
 D811,951 S \* 3/2018 Mateko ..... D12/162  
 D811,952 S \* 3/2018 Mateko ..... D12/162  
 D833,004 S \* 11/2018 Leonard ..... D24/127  
 2009/0255093 A1 \* 10/2009 Hsu ..... B25G 1/01  
 16/421  
 2011/0239406 A1 \* 10/2011 Macernis ..... E05F 1/1215  
 16/354  
 2012/0005861 A1 \* 1/2012 Homner ..... E05F 1/1215  
 16/308  
 2012/0233812 A1 \* 9/2012 Bienek ..... E05F 3/104  
 16/60  
 2014/0215760 A1 \* 8/2014 Mitchell ..... E05D 7/0423  
 16/254

\* cited by examiner

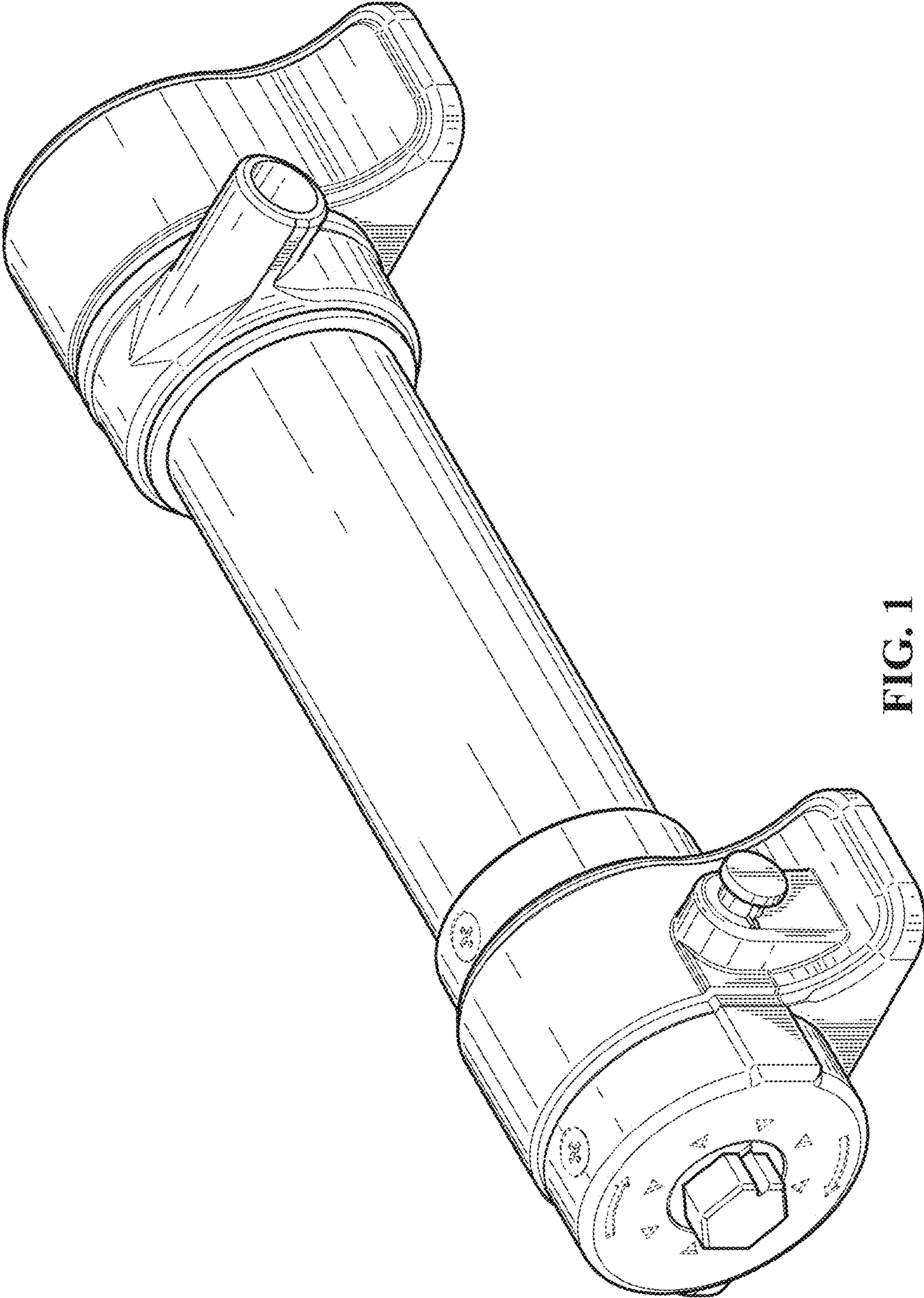


FIG. 1

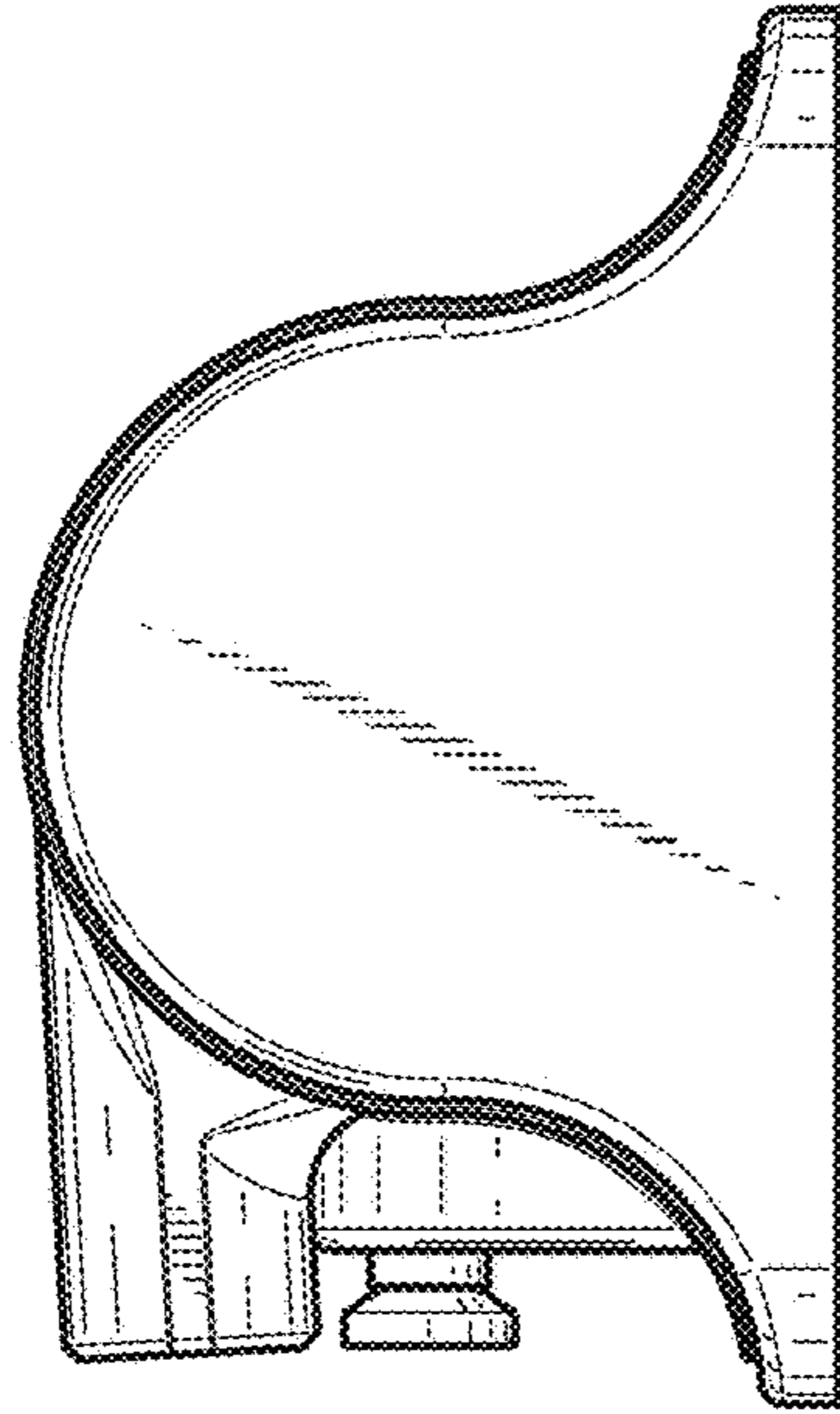


FIG. 3

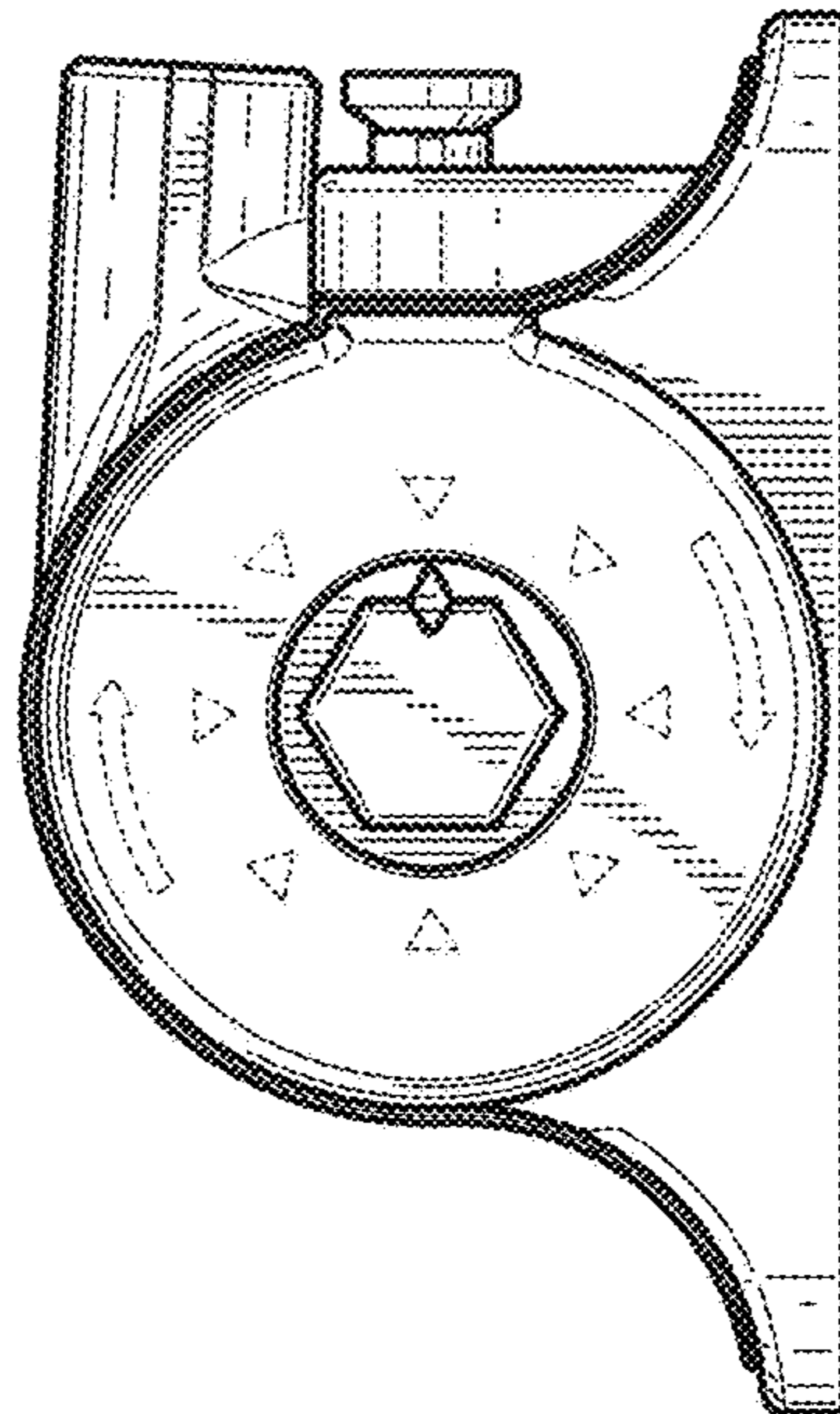


FIG. 2

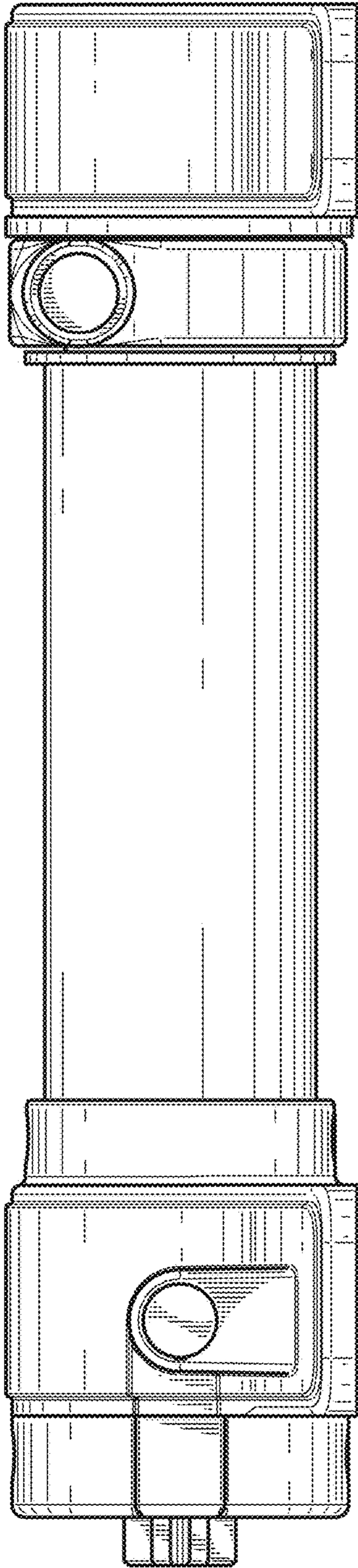


FIG. 4

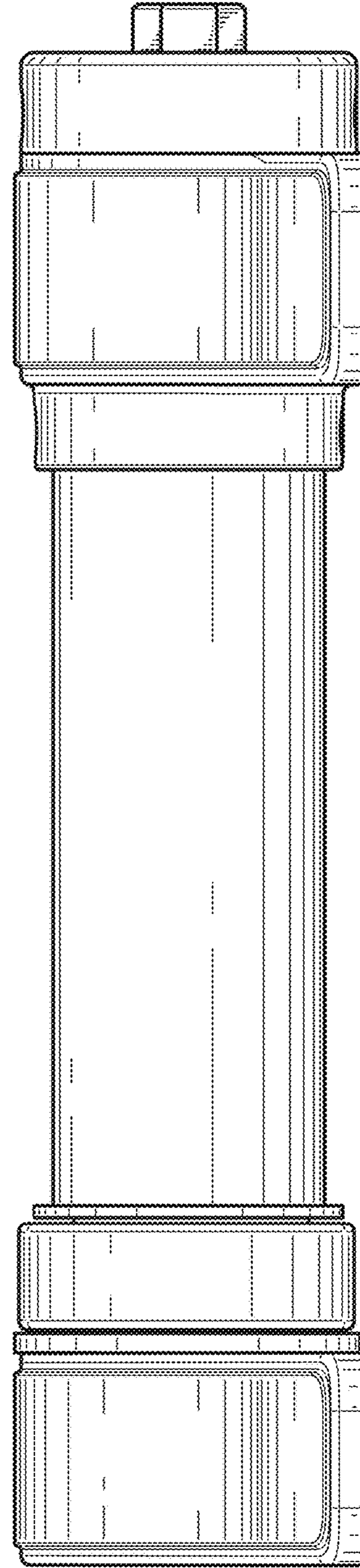


FIG. 5

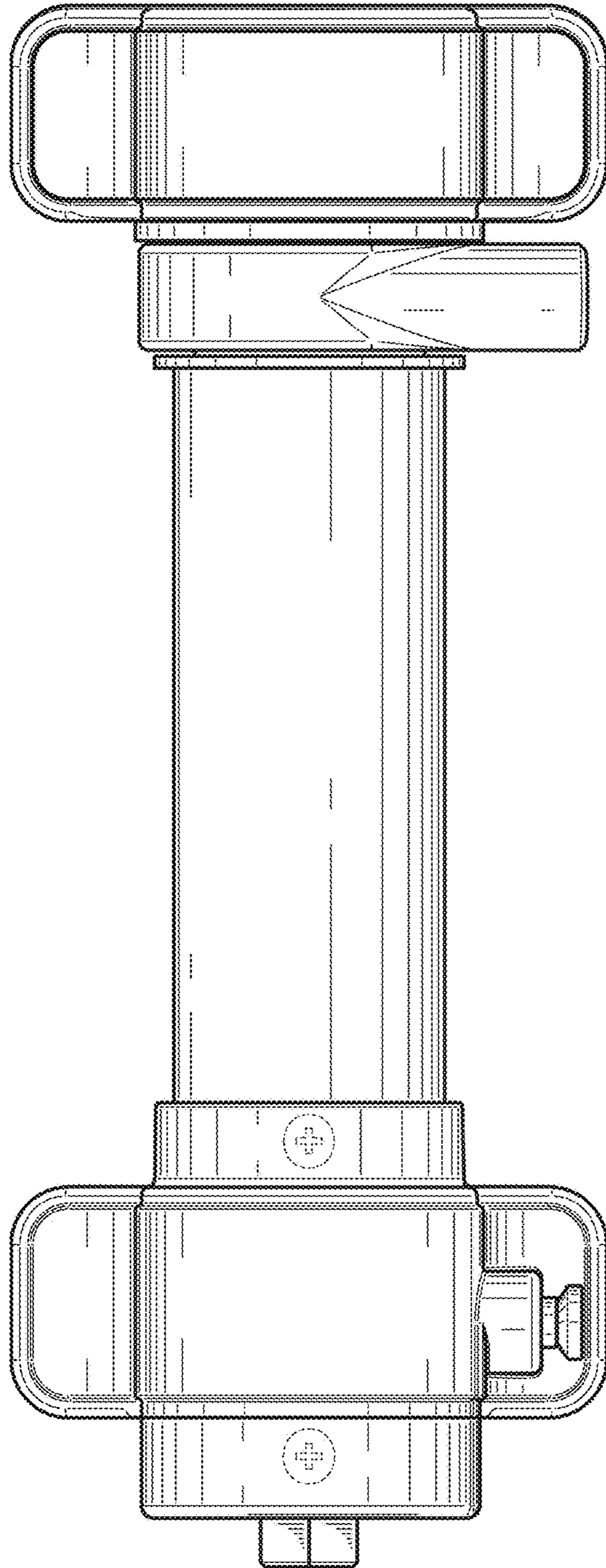


FIG. 6

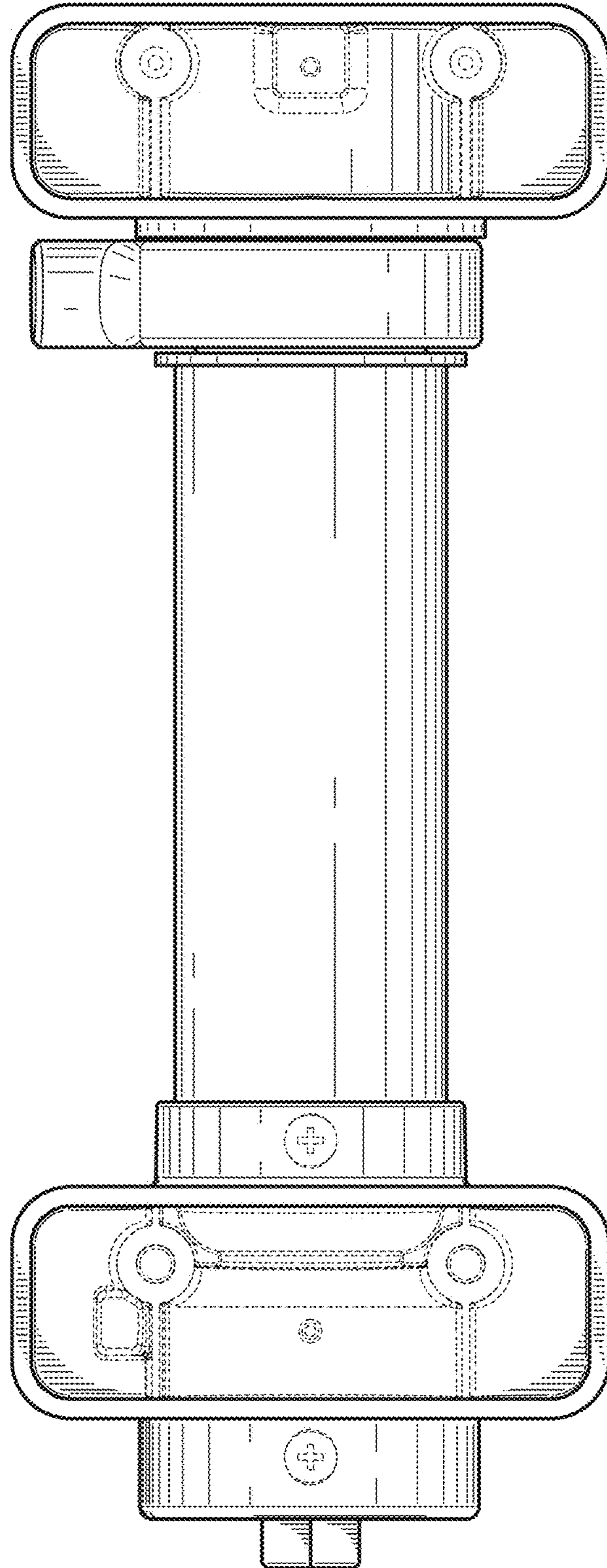


FIG. 7