



US00D859124S

(12) **United States Design Patent** (10) **Patent No.:** **US D859,124 S**
Brooks (45) **Date of Patent:** **** Sep. 10, 2019**

(54) **TOILET LID ACCESSORY HANDLE**
(71) Applicant: **Jimmy Wayne Brooks**, Milton, FL (US)
(72) Inventor: **Jimmy Wayne Brooks**, Milton, FL (US)
(**) Term: **15 Years**
(21) Appl. No.: **29/657,340**
(22) Filed: **Jul. 20, 2018**
(51) **LOC (12) Cl.** **08-06**
(52) **U.S. Cl.**
USPC **D8/308**
(58) **Field of Classification Search**
USPC D8/107, 300, 301, 307, 308, 321, 331, D8/338; D23/270, 303, 309, 310, 311
CPC Y10T 16/19; Y10T 16/643; Y10T 16/191; Y10T 16/95; Y10T 24/4088; Y10T 292/1049; A47K 13/10; A47K 13/105; A47K 13/24; E03D 5/04; E03D 5/092
See application file for complete search history.

(56) **References Cited**

U.S. PATENT DOCUMENTS

3,191,193 A * 6/1965 Bogenberger A47K 13/105
16/422
D314,322 S 2/1991 Burghoff
5,217,035 A 6/1993 Van Marcke
5,220,693 A 6/1993 Paglia
D374,711 S * 10/1996 Regas D8/307
5,703,567 A 12/1997 Cleveland
5,870,015 A 2/1999 Hinkel
D406,884 S 3/1999 Goss
5,926,099 A 6/1999 Unum
D417,723 S 12/1999 Ricigliano
6,009,569 A * 1/2000 Ferrara A47K 13/105
4/237
D427,293 S 6/2000 Yastrop

6,203,164 B1 3/2001 Tufekci
6,634,032 B1 * 10/2003 Janik A47K 13/105
4/246.1
D490,291 S 5/2004 Bell
D507,168 S * 7/2005 Richard, Jr. D8/307
D508,392 S 8/2005 Ehle
7,289,036 B2 10/2007 Salzhauer
7,322,054 B2 1/2008 Bush
D572,997 S * 7/2008 Gulley D8/302
D575,134 S * 8/2008 Sheppard D6/300
D595,560 S * 7/2009 Miska D8/314
D618,982 S * 7/2010 Golden D8/308
D690,186 S * 9/2013 Coffin D8/314
9,115,530 B2 * 8/2015 Michael E05F 11/54
D759,457 S * 6/2016 Czeresko, Jr. D8/301
2004/0174267 A1 9/2004 Benkhart
2004/0261226 A1 * 12/2004 Moody E05B 53/001
16/413
2005/0055756 A1 3/2005 Curtis
2005/0071912 A1 4/2005 Lightning
2007/0017014 A1 1/2007 Dismuke

(Continued)

Primary Examiner — Lauren R Calve
(74) *Attorney, Agent, or Firm* — Gary L. Eastman, Esq.;
Eastman McCartney Dallmann LLP

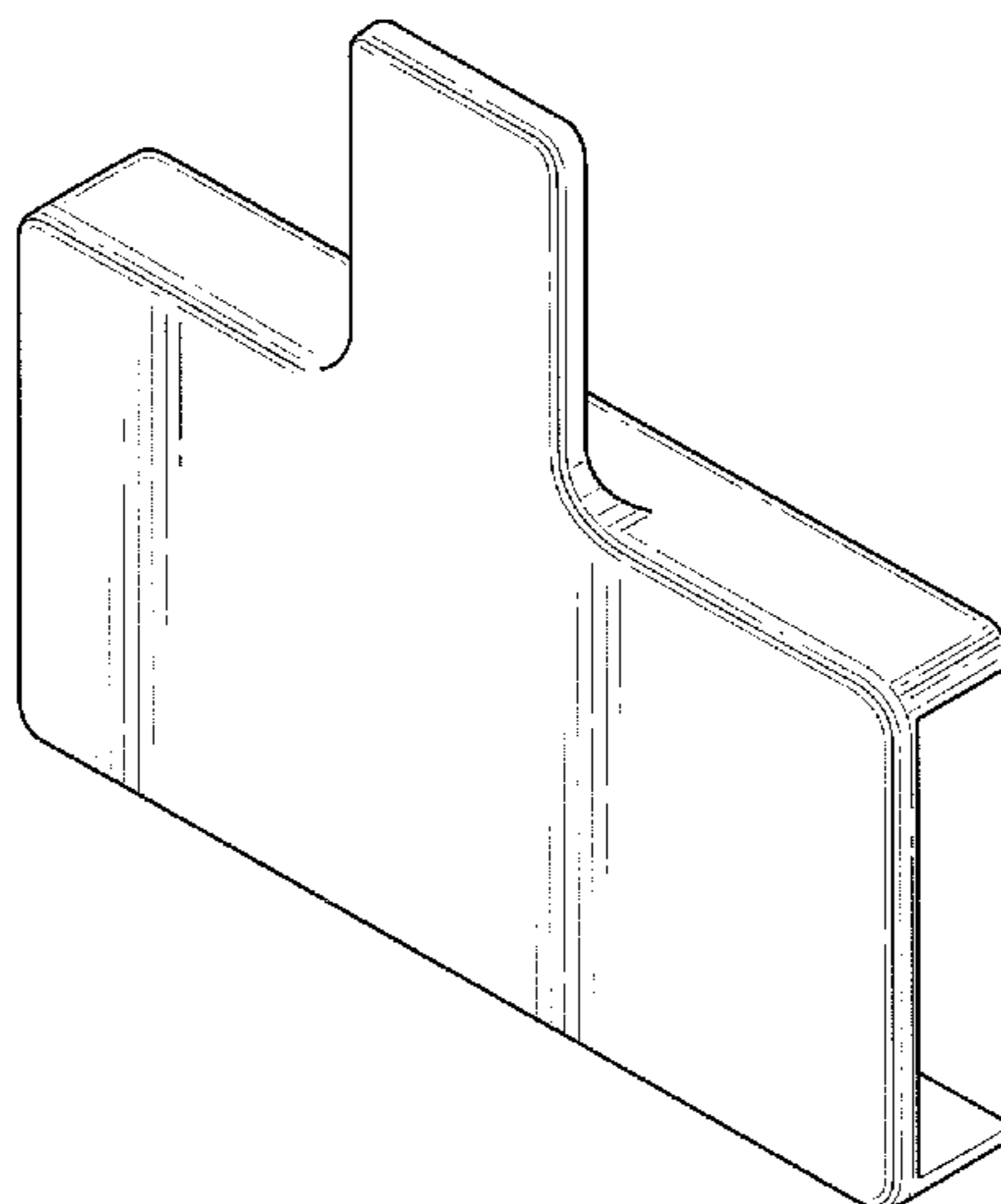
(57) **CLAIM**

The ornamental design for a toilet lid accessory handle, as shown and described.

DESCRIPTION

FIG. 1 is a top-right perspective view of a toilet lid accessory handle;
FIG. 2 is a bottom-left perspective view thereof;
FIG. 3 is a back plan view thereof;
FIG. 4 is a front plan view thereof;
FIG. 5 is a left side view thereof;
FIG. 6 is a right side view thereof;
FIG. 7 is a top view thereof; and,
FIG. 8 is a bottom view thereof.

1 Claim, 4 Drawing Sheets



(56)

References Cited

U.S. PATENT DOCUMENTS

2009/0049590	A1 *	2/2009	Foster	A47K 13/105
				4/246.1
2009/0313749	A1	12/2009	Armstrong	
2010/0064426	A1	3/2010	Chikara Imamura	
2015/0101114	A1 *	4/2015	Pagett	A47K 13/105
				4/246.3

* cited by examiner

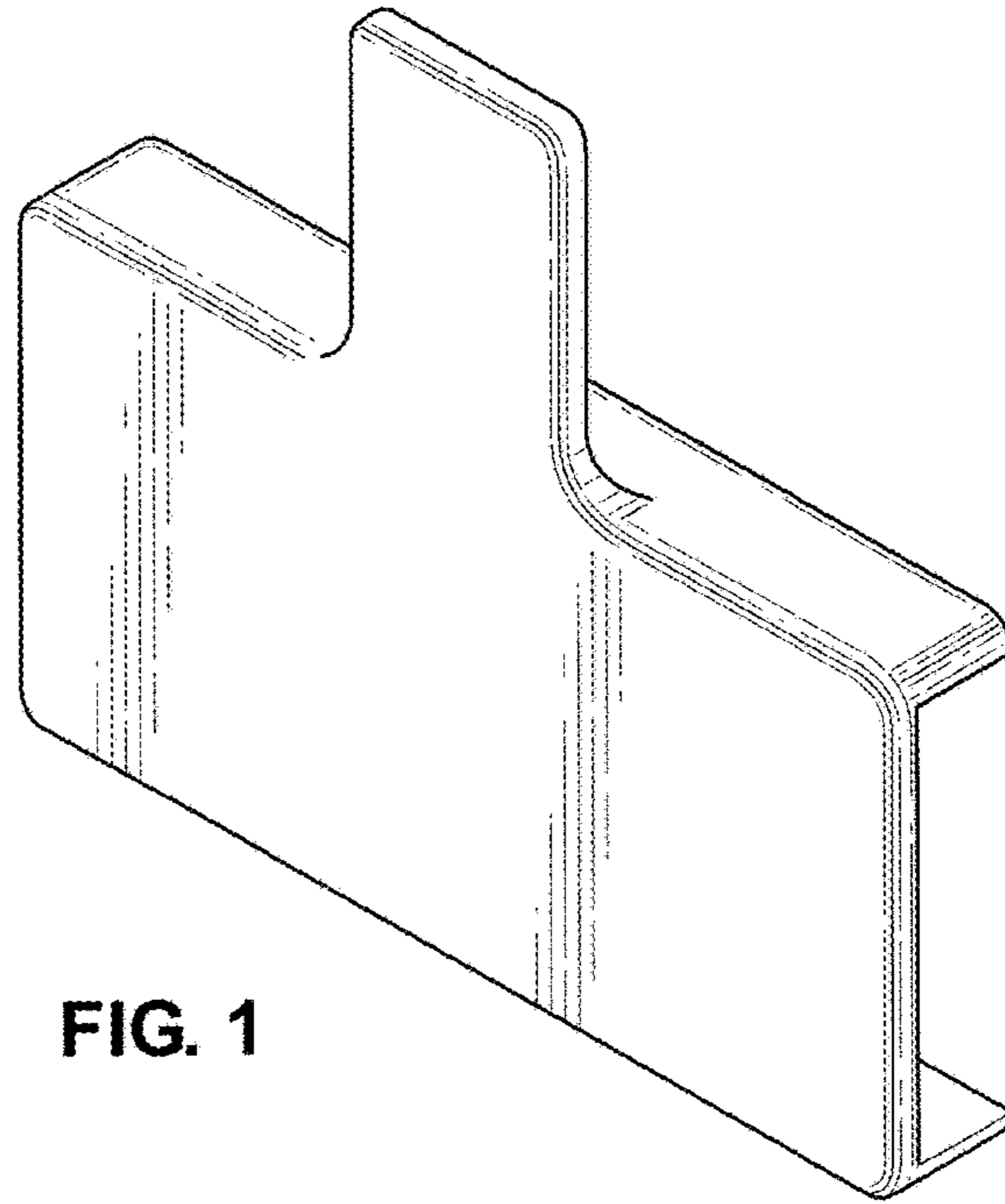


FIG. 1

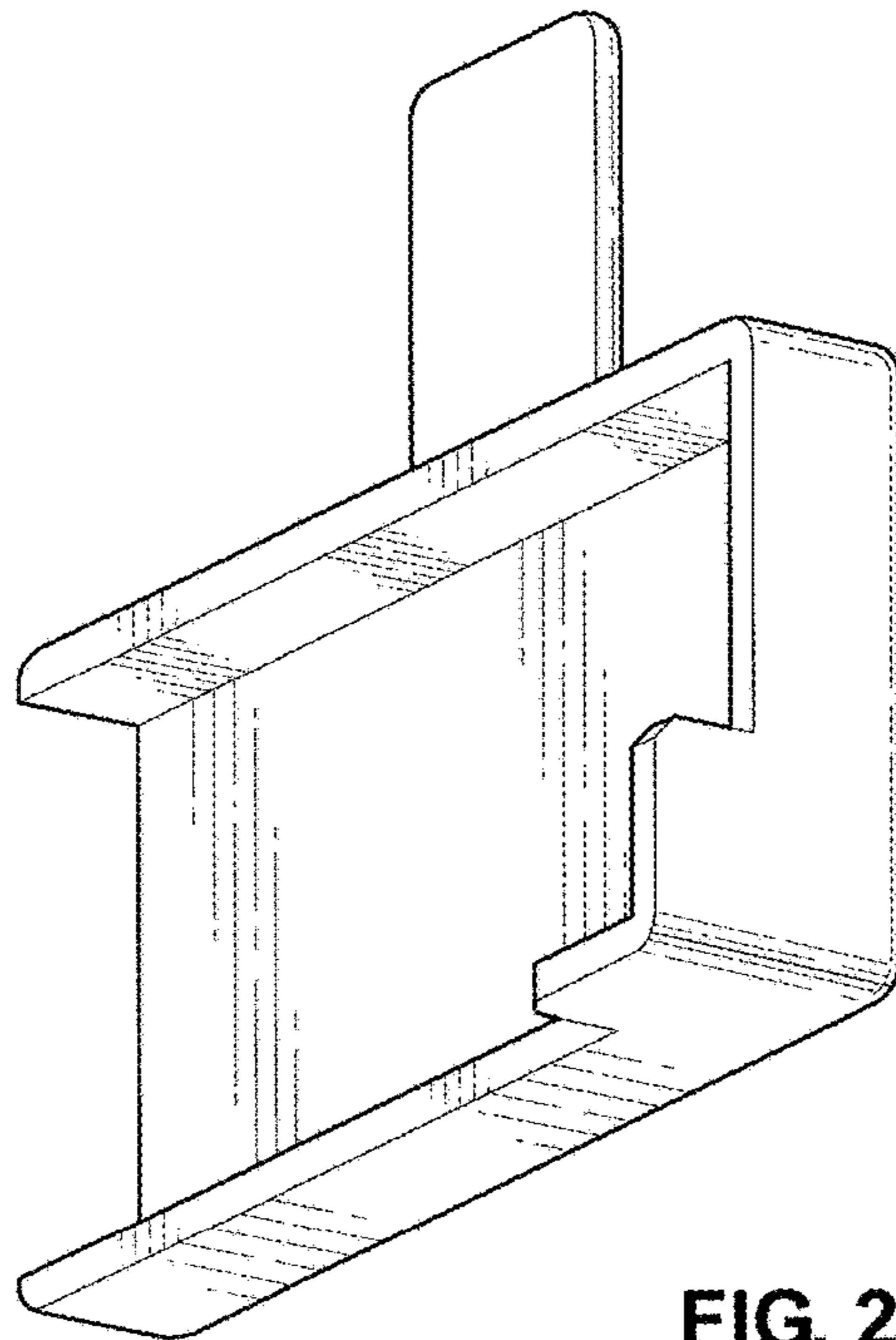


FIG. 2

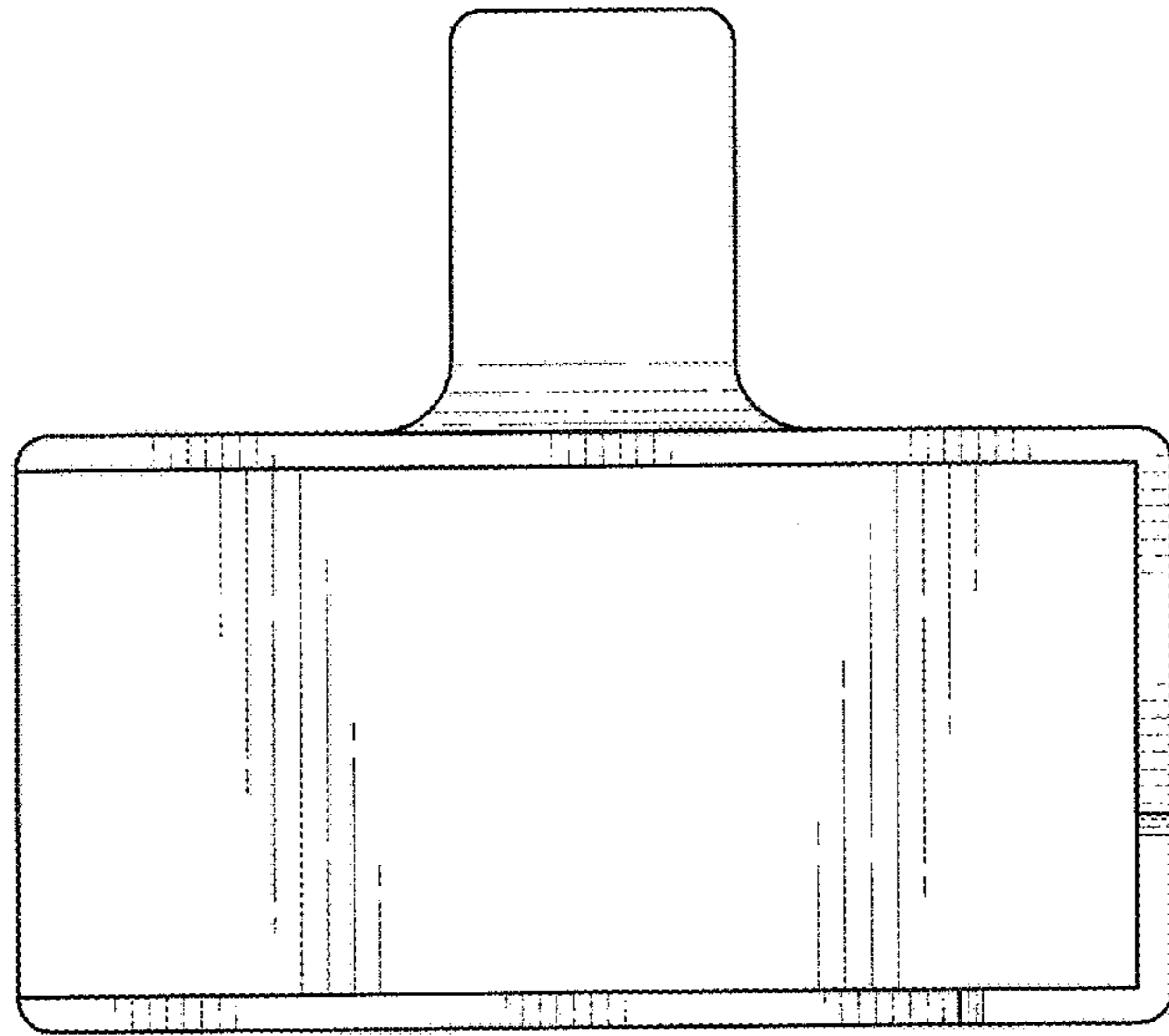


FIG. 3

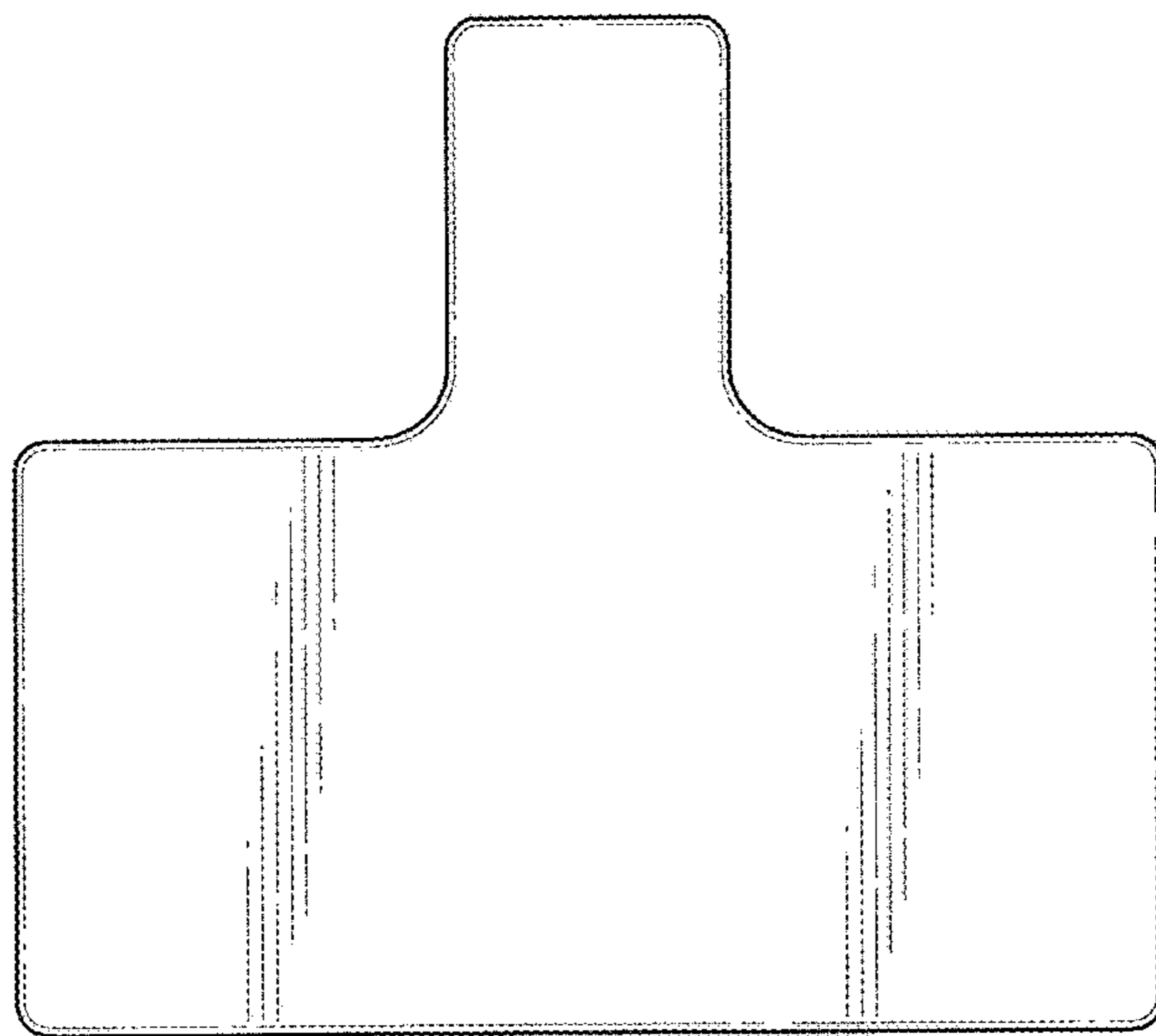


FIG. 4

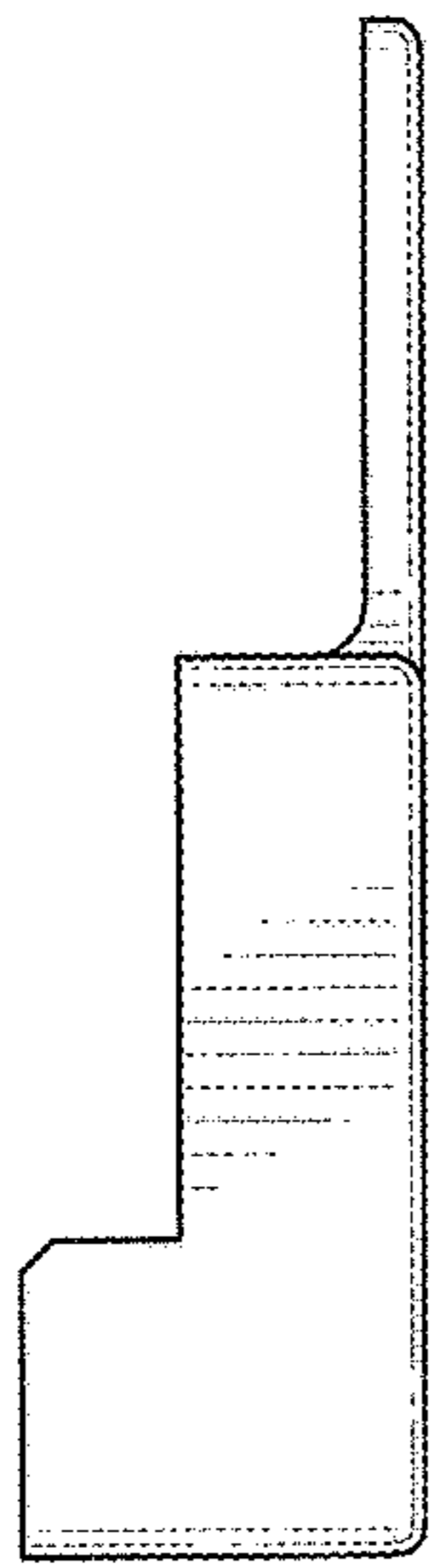


FIG. 5

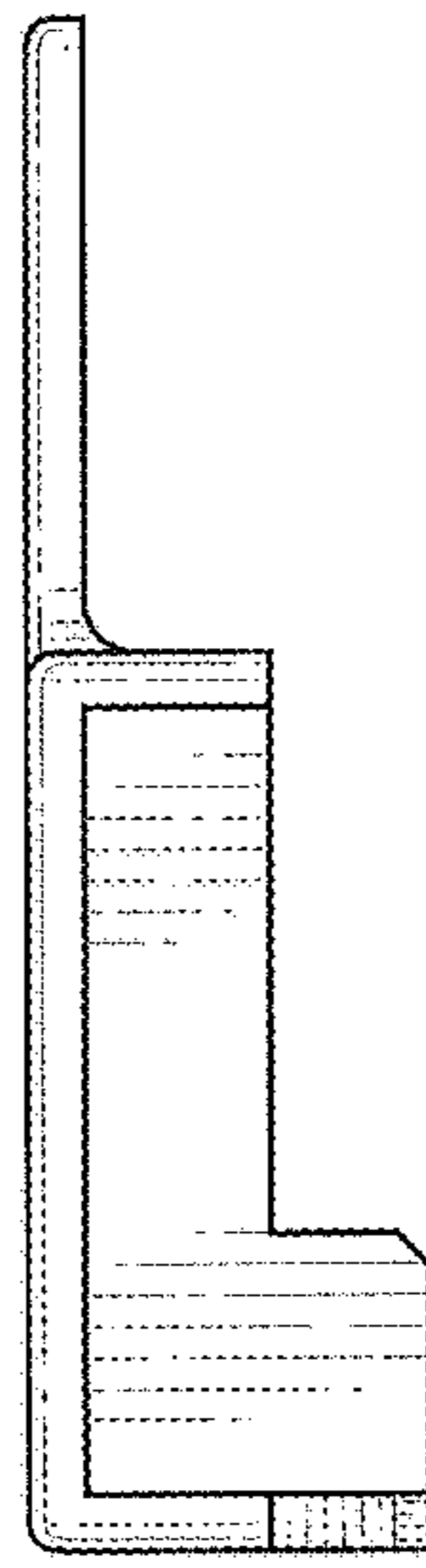


FIG. 6

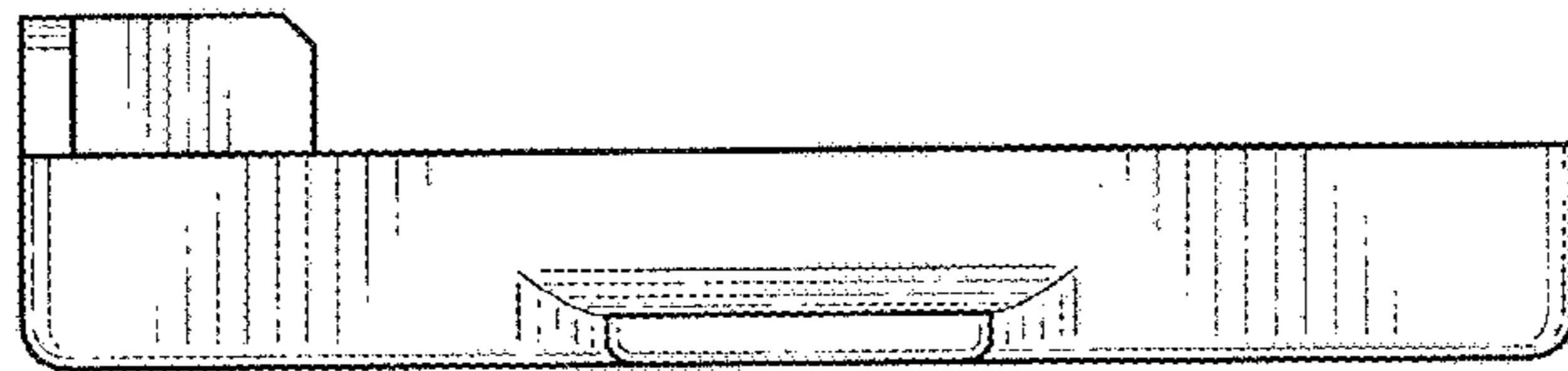


FIG. 7

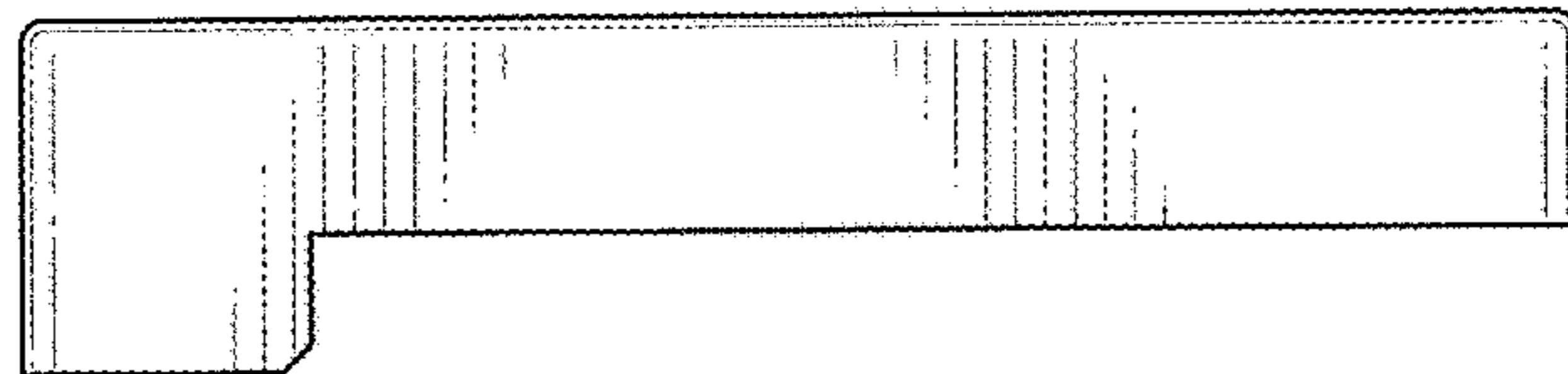


FIG. 8