

US00D859123S

(12) **United States Design Patent**  
**Zhang**

(10) **Patent No.:** **US D859,123 S**

(45) **Date of Patent:** **\*\* Sep. 10, 2019**

(54) **DOOR HANDLE**

(71) Applicant: **JCB ACCESS LIMITED**, Uttoxeter (GB)

(72) Inventor: **Richard Zhang**, Uttoxeter (GB)

(73) Assignee: **JCB ACCESS LIMITED**, Uttoxeter (GB)

(\*\*) Term: **15 Years**

(21) Appl. No.: **29/610,571**

(22) Filed: **Jul. 13, 2017**

(51) **LOC (12) Cl.** ..... **08-06**

(52) **U.S. Cl.**  
USPC ..... **D8/302**

(58) **Field of Classification Search**  
USPC ..... D8/107, 300, 301, 302, 313, 315, 316,  
D8/318, 319, 320, 331; D34/28  
CPC .... E05B 65/0007; E05B 65/06; E05B 1/0038;  
Y10T 292/702; Y10T 292/1072; Y10T  
292/1092; Y10T 292/68; Y10T 292/1022  
See application file for complete search history.

(56) **References Cited**

U.S. PATENT DOCUMENTS

D281,573 S *	12/1985	Miller	.....	D8/302
D331,182 S *	11/1992	Hsien	.....	D8/302
5,412,961 A *	5/1995	Cain	.....	E05B 63/0065 292/92
5,429,399 A *	7/1995	Geringer	.....	E05B 41/00 292/251.5
5,671,958 A *	9/1997	Szapucki	.....	E05C 1/10 292/175
9,382,750 B1 *	7/2016	Flannery	.....	E06B 9/00

2008/0191497 A1 *	8/2008	Mayo	.....	E05B 65/0007 292/169
2009/0306592 A1 *	12/2009	Kasai	.....	A61M 5/14228 604/131
2014/0001777 A1 *	1/2014	Choi	.....	E05B 85/12 292/336.3
2014/0225383 A1 *	8/2014	Simmonds	.....	E05C 1/08 292/238

\* cited by examiner

*Primary Examiner* — Lauren R Calve

(74) *Attorney, Agent, or Firm* — Marshall, Gerstein & Borun LLP

(57) **CLAIM**

The ornamental design for a door handle, as shown and described.

**DESCRIPTION**

FIG. 1 is a left-side, front, and top isometric view of a door handle, showing the new design.

FIG. 2 is a left-side, back, and top isometric view of the door handle.

FIG. 3 is a front elevation of the door handle.

FIG. 4 is a back elevation of the door handle.

FIG. 5 is a left-side elevation of the door handle.

FIG. 6 is a right-side elevation of the door handle.

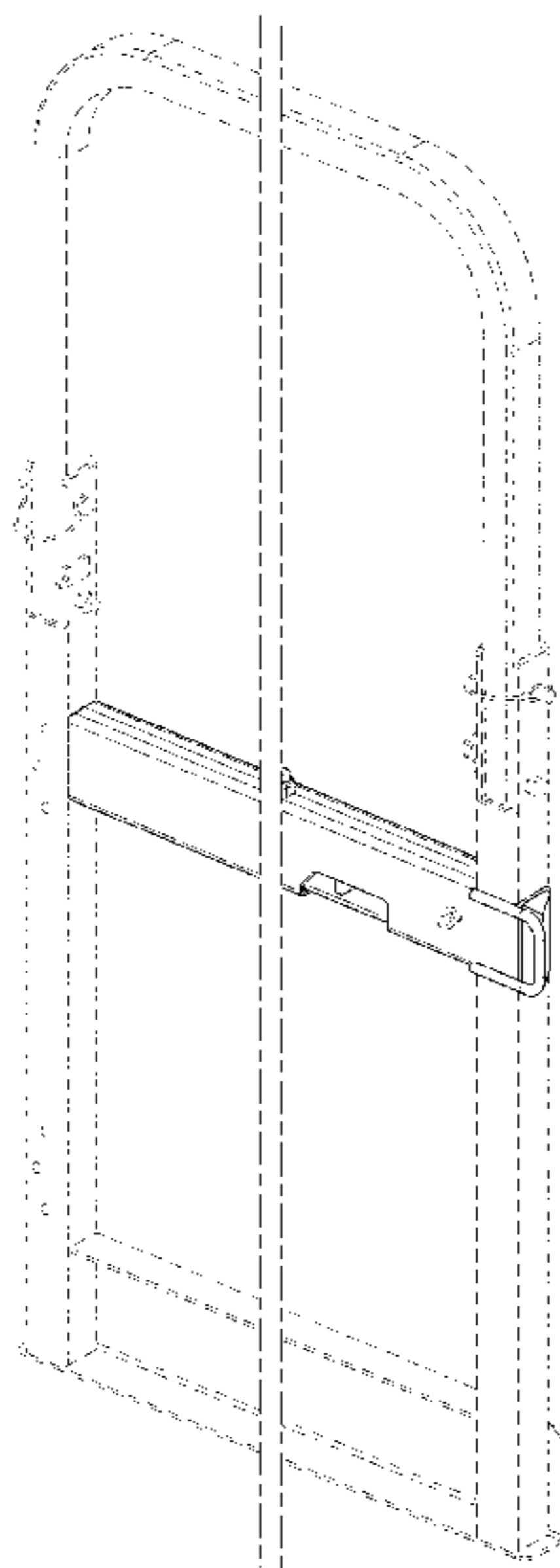
FIG. 7 is top plan view of the door handle; and,

FIG. 8 is an underside plan view.

The broken lines represent unclaimed portions of the door handle, and form no part of the claimed design.

The short dash-long dash lines represent boundary lines and form no part of the claimed design.

**1 Claim, 8 Drawing Sheets**



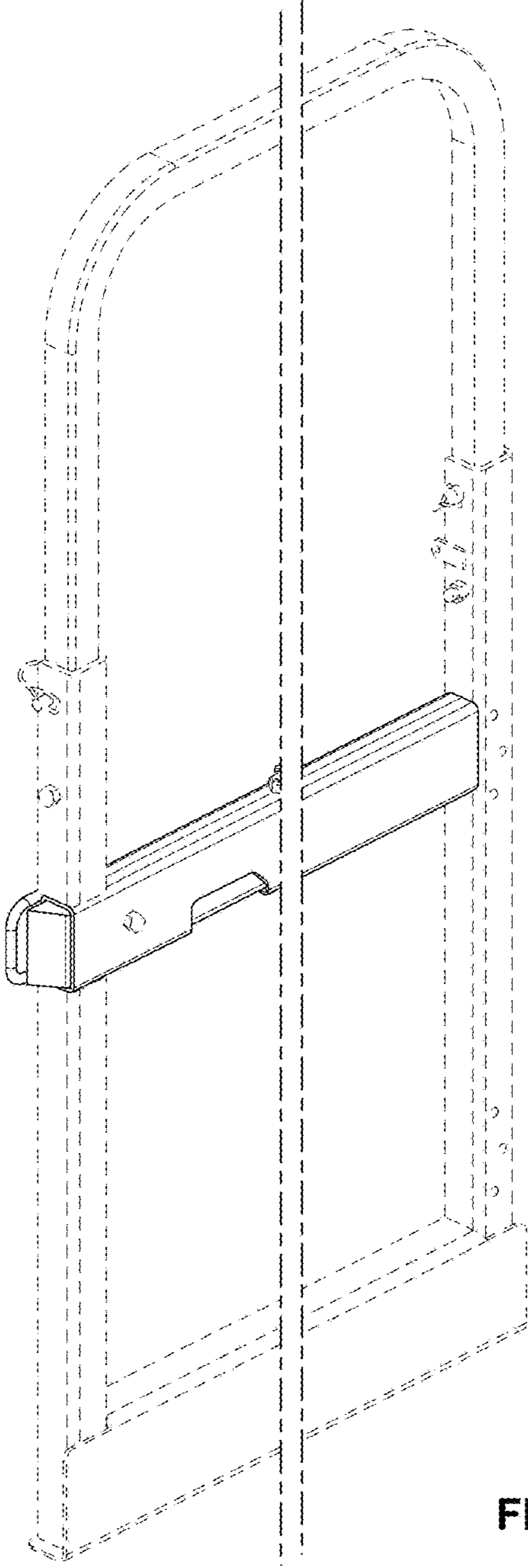


FIG. 1

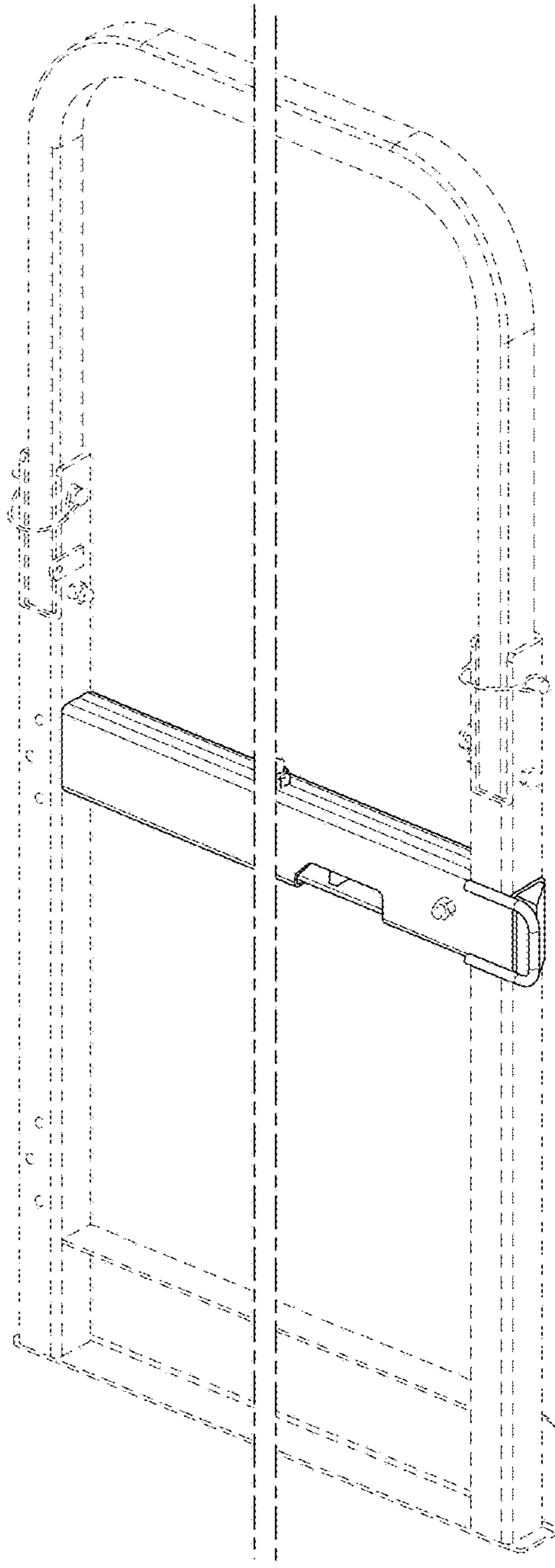


FIG. 2

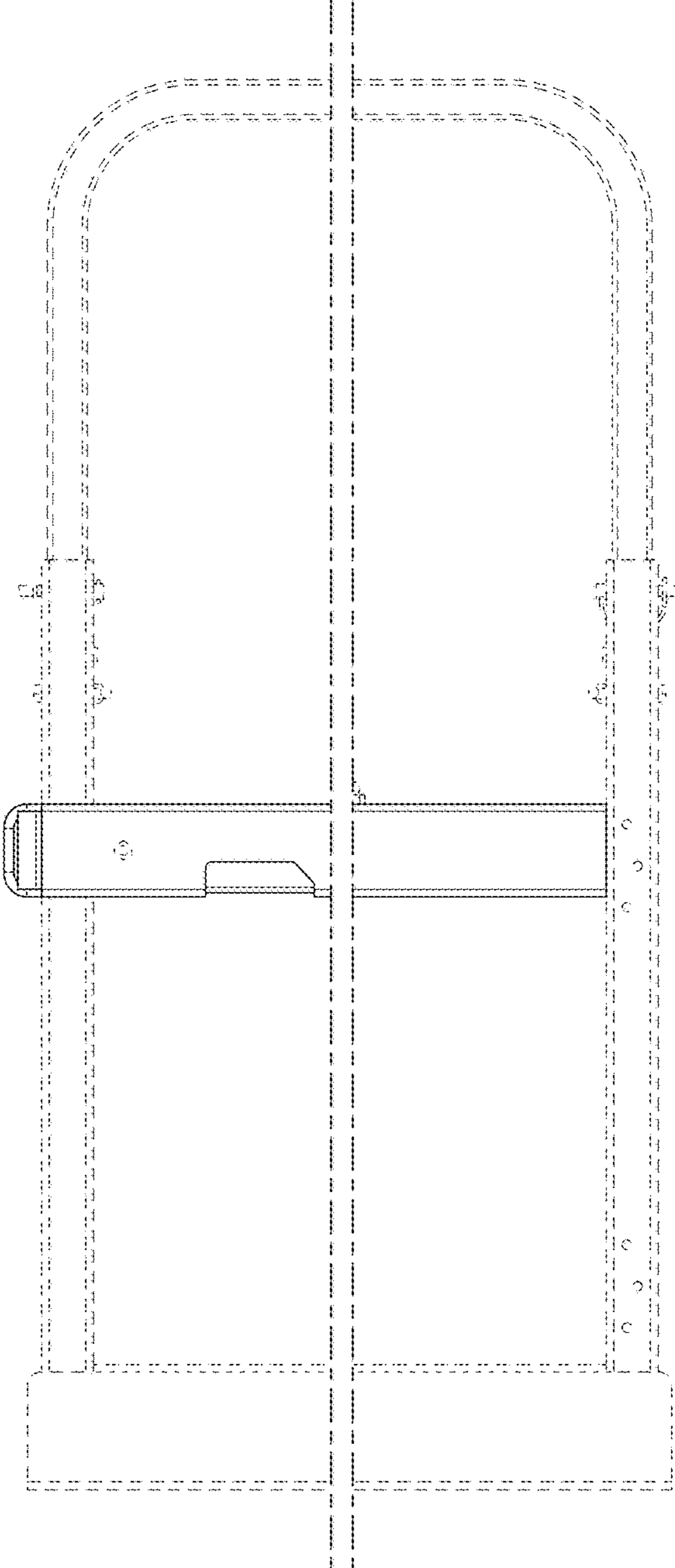


FIG. 3

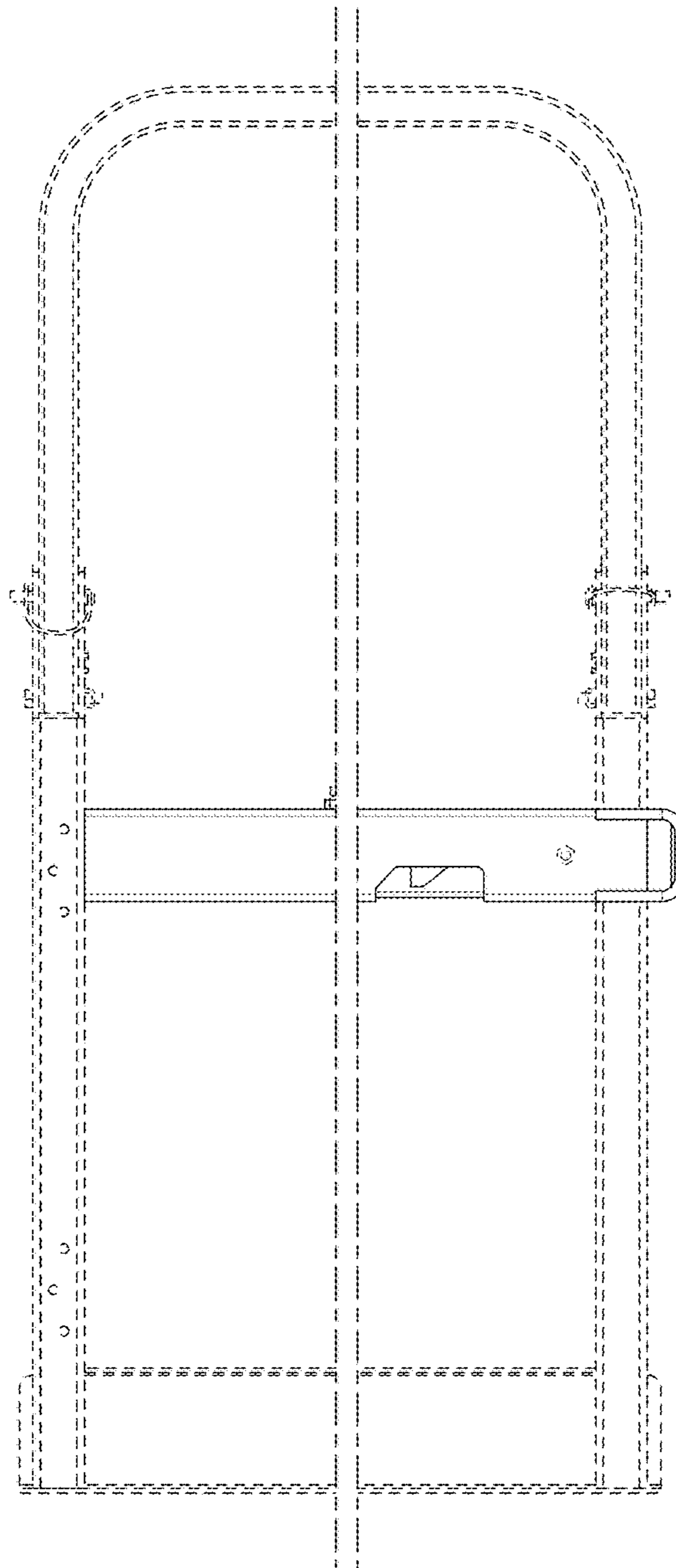


FIG. 4

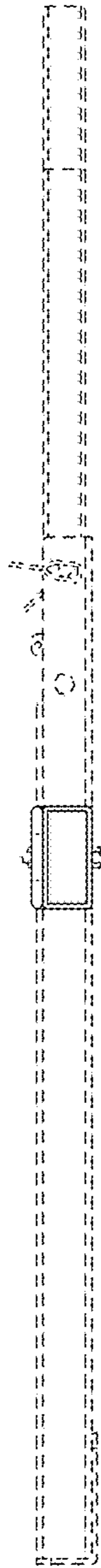


FIG. 5

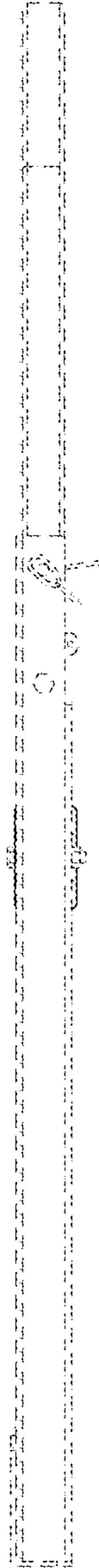


FIG. 6

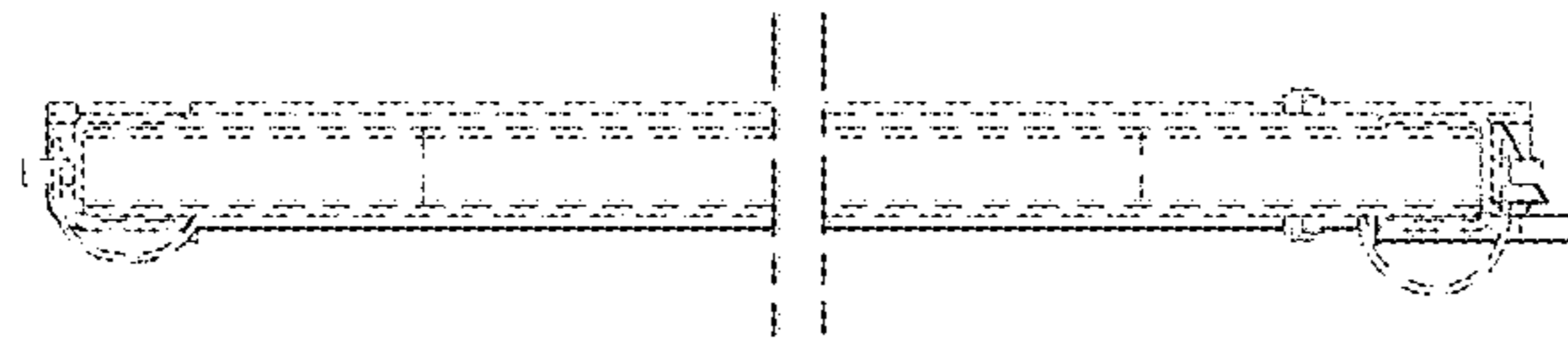


FIG. 7



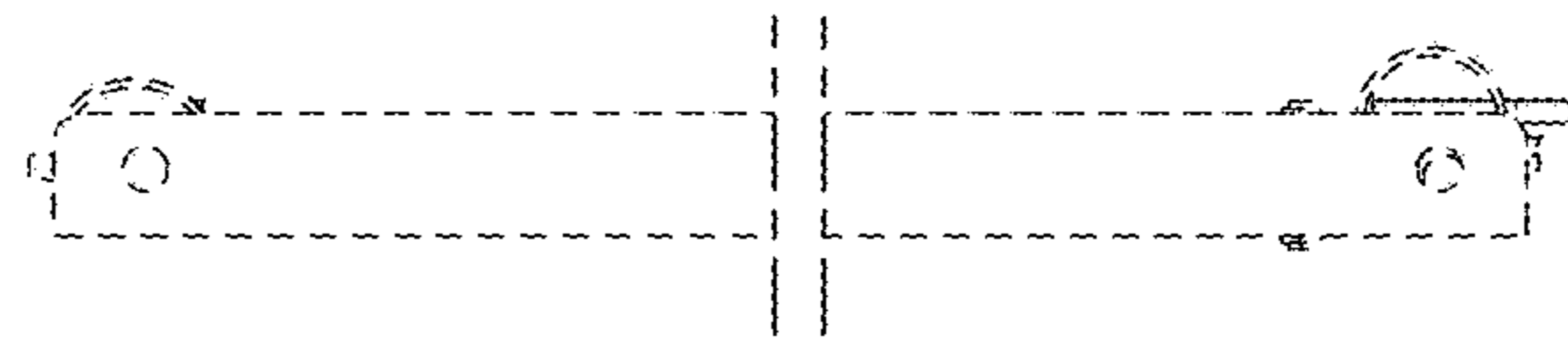


FIG. 8