



US00D859122S

(12) **United States Design Patent** (10) **Patent No.:** **US D859,122 S**
Masalin et al. (45) **Date of Patent:** **** Sep. 10, 2019**

(54) **HANDLE**
(71) Applicant: **Fiskars Finland Oy Ab**, Helsinki (FI)
(72) Inventors: **Petteri Masalin**, Helsinki (FI); **Aaro Huttunen**, Helsinki (FI); **Mikko Kemppe**, Helsinki (FI); **Juha Huhtala**, Helsinki (FI)
(73) Assignee: **Fiskars Finland Oy Ab**, Helsinki (FI)
(**) Term: **15 Years**
(21) Appl. No.: **29/603,857**
(22) Filed: **May 12, 2017**

(30) **Foreign Application Priority Data**
Nov. 15, 2016 (EM) 003464353
(51) **LOC (12) Cl.** **08-01**
(52) **U.S. Cl.**
USPC **D8/107; D8/10**
(58) **Field of Classification Search**
USPC D8/1, 10, 11, 12, 107, 300; D32/52
CPC B25G 1/01; B25G 1/04; B25G 1/06; E01H
5/02; Y10T 16/444
See application file for complete search history.

(56) **References Cited**
U.S. PATENT DOCUMENTS
D189,486 S * 12/1960 Walsh D8/1
D269,490 S * 6/1983 Germain D8/1
D384,873 S * 10/1997 Aquilina D8/107
D548,550 S * 8/2007 Yeh D8/10
D592,920 S * 5/2009 Boies D8/10
7,581,771 B2 * 9/2009 Rosine A01B 1/02
294/54.5

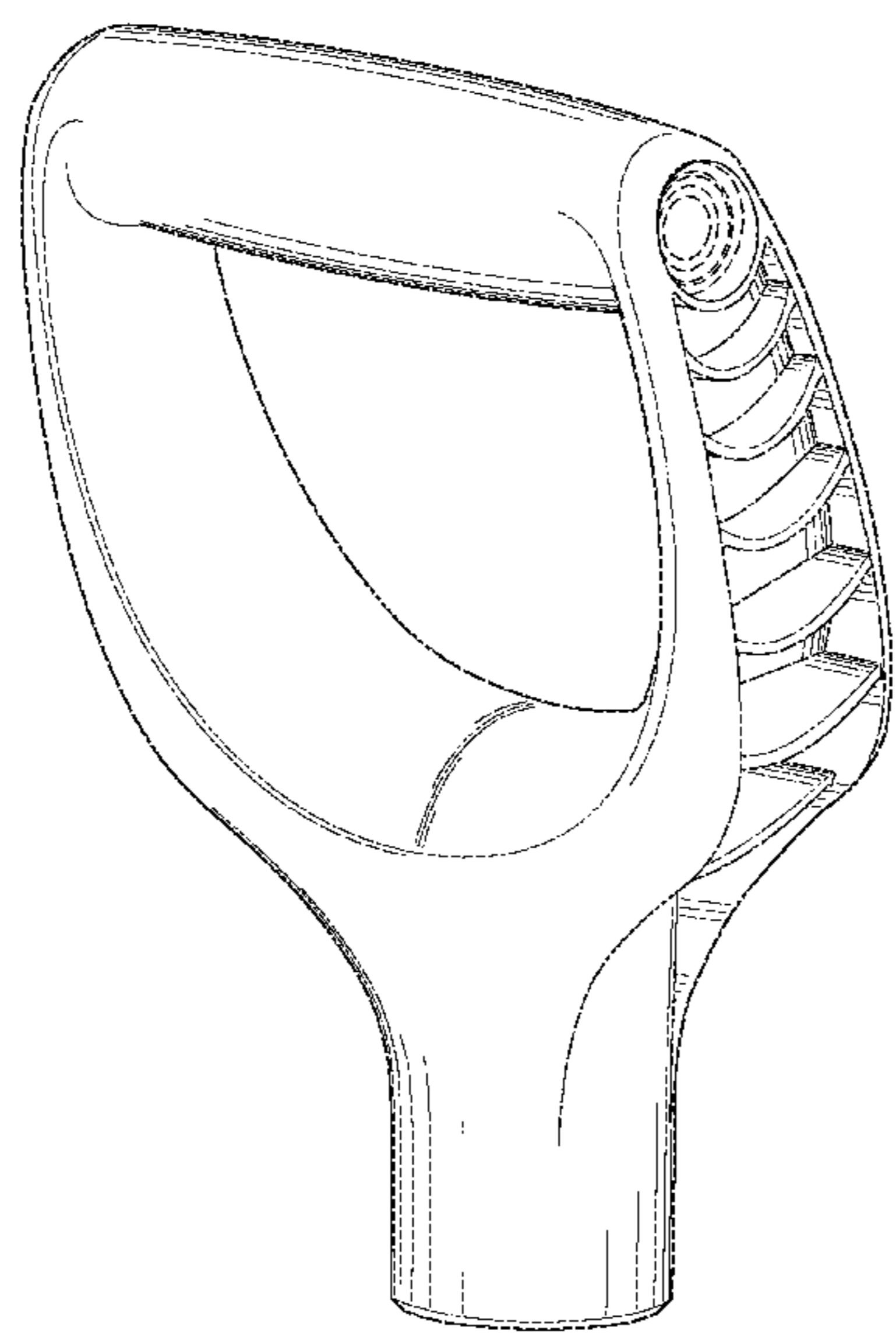
D604,573 S * 11/2009 Boies D8/10
D621,669 S * 8/2010 Donald D8/7
D673,874 S * 1/2013 Long D11/1
D678,012 S * 3/2013 Arcati D8/1
D703,500 S * 4/2014 McFadden D8/14
D712,220 S * 9/2014 Boies D8/10
D764,889 S * 8/2016 Merten D8/107
D782,894 S * 4/2017 DePietro D8/107
D811,849 S * 3/2018 Chou D8/107

* cited by examiner
Primary Examiner — Philip S Hyder
(74) *Attorney, Agent, or Firm* — Leason Ellis LLP

(57) **CLAIM**
The ornamental design for a handle, as shown and described.

DESCRIPTION
FIG. 1 is a top perspective view of the first embodiment of the claimed design;
FIG. 2 is a front view thereof;
FIG. 3 is a rear view thereof;
FIG. 4 is a left side view thereof;
FIG. 5 is a right side view thereof;
FIG. 6 is a bottom view thereof; and
FIG. 7 is a top view thereof;
FIG. 8 is a top perspective view of the second embodiment of the claimed design;
FIG. 9 is a front view thereof;
FIG. 10 is a rear view thereof;
FIG. 11 is a left side view thereof;
FIG. 12 is a right side view thereof;
FIG. 13 is a bottom view thereof; and,
FIG. 14 is a top view thereof.
Any portion of the article depicted in broken lines forms no part of the claimed design.

1 Claim, 10 Drawing Sheets



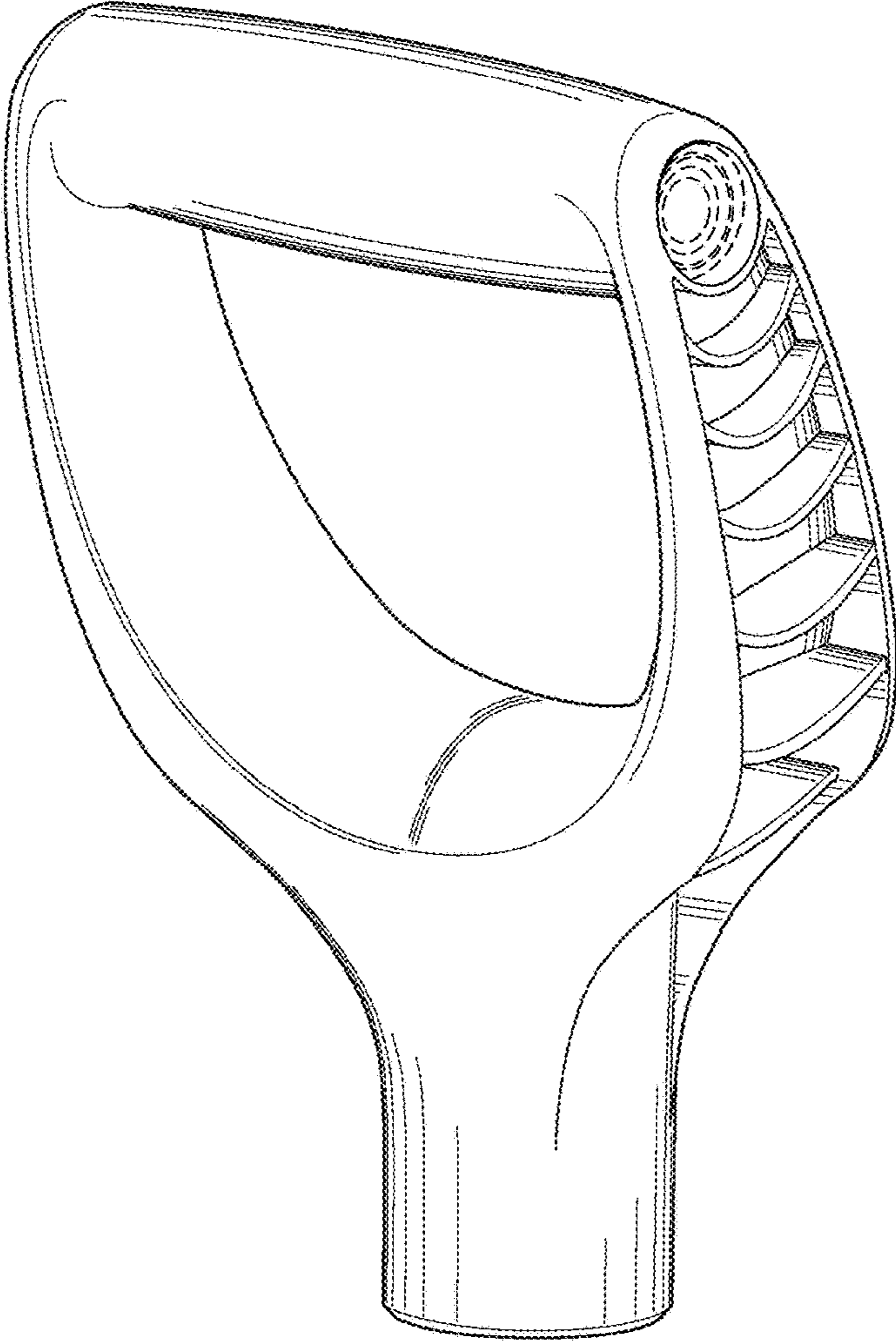


FIG. 1



FIG. 2

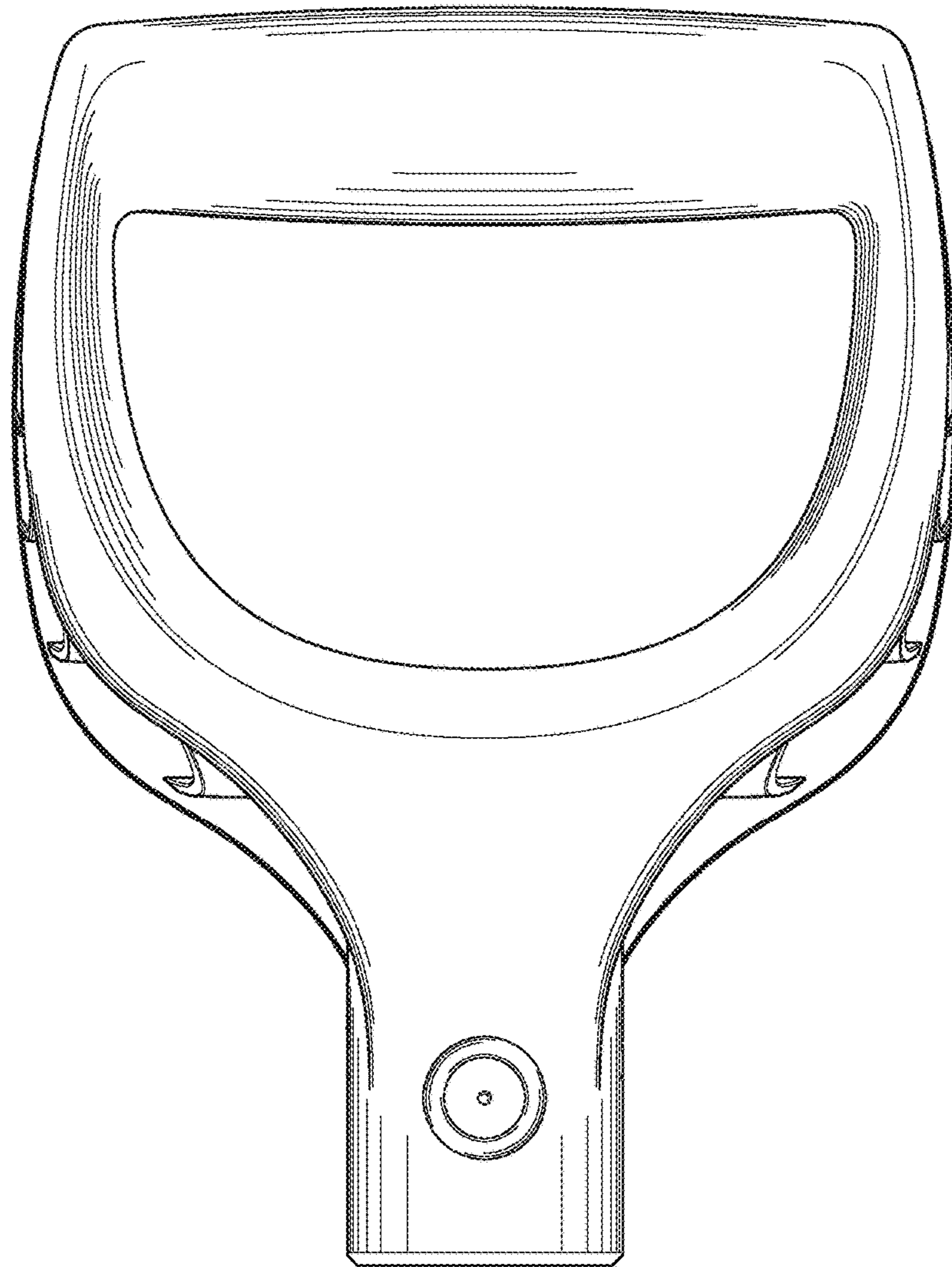


FIG. 3

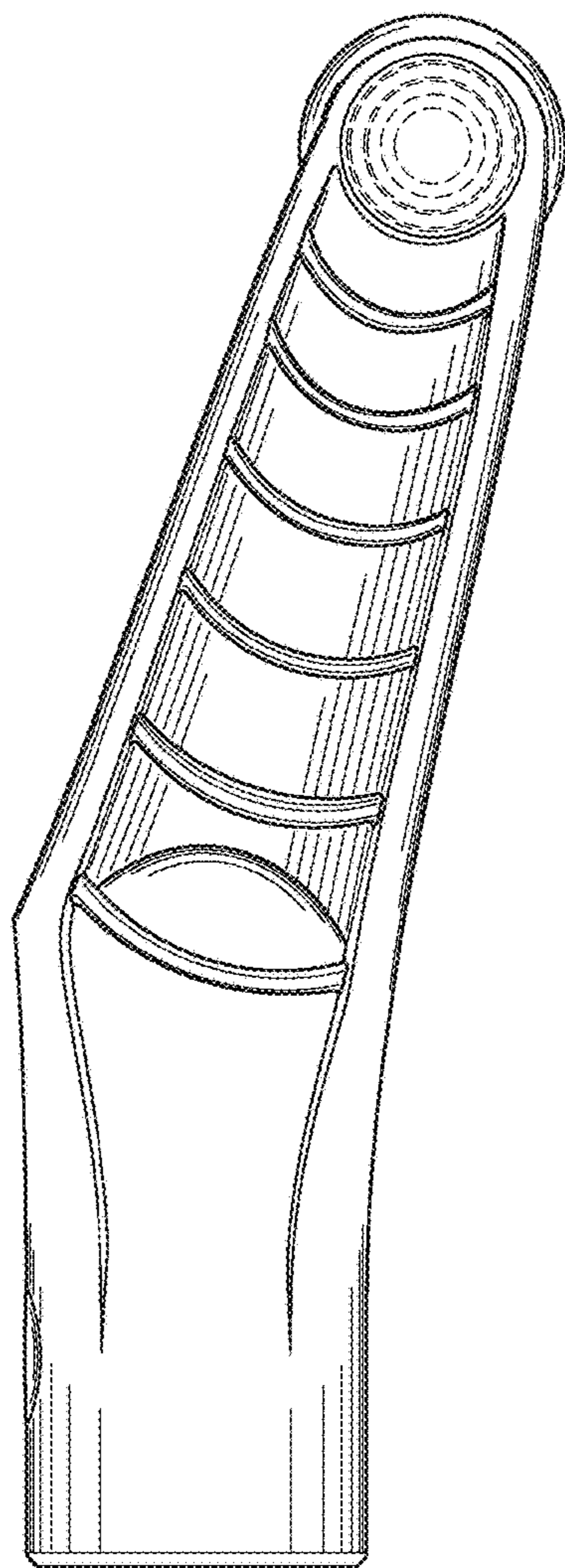


FIG. 4

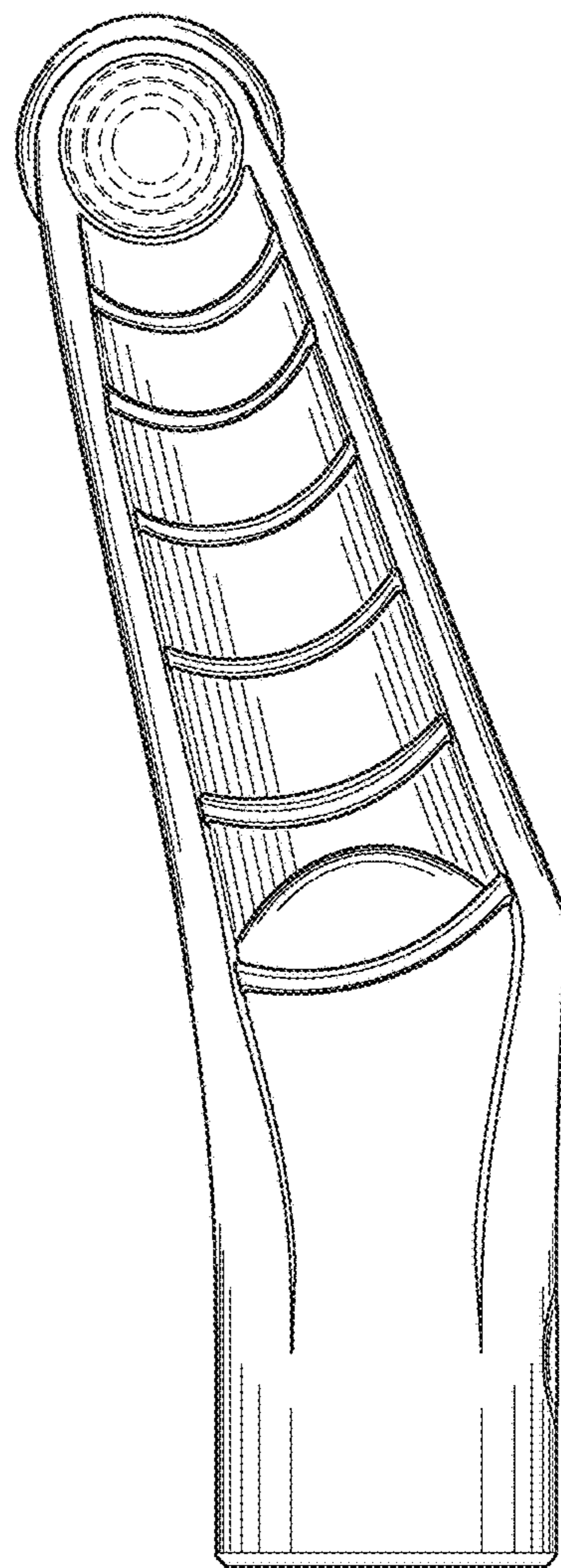


FIG. 5

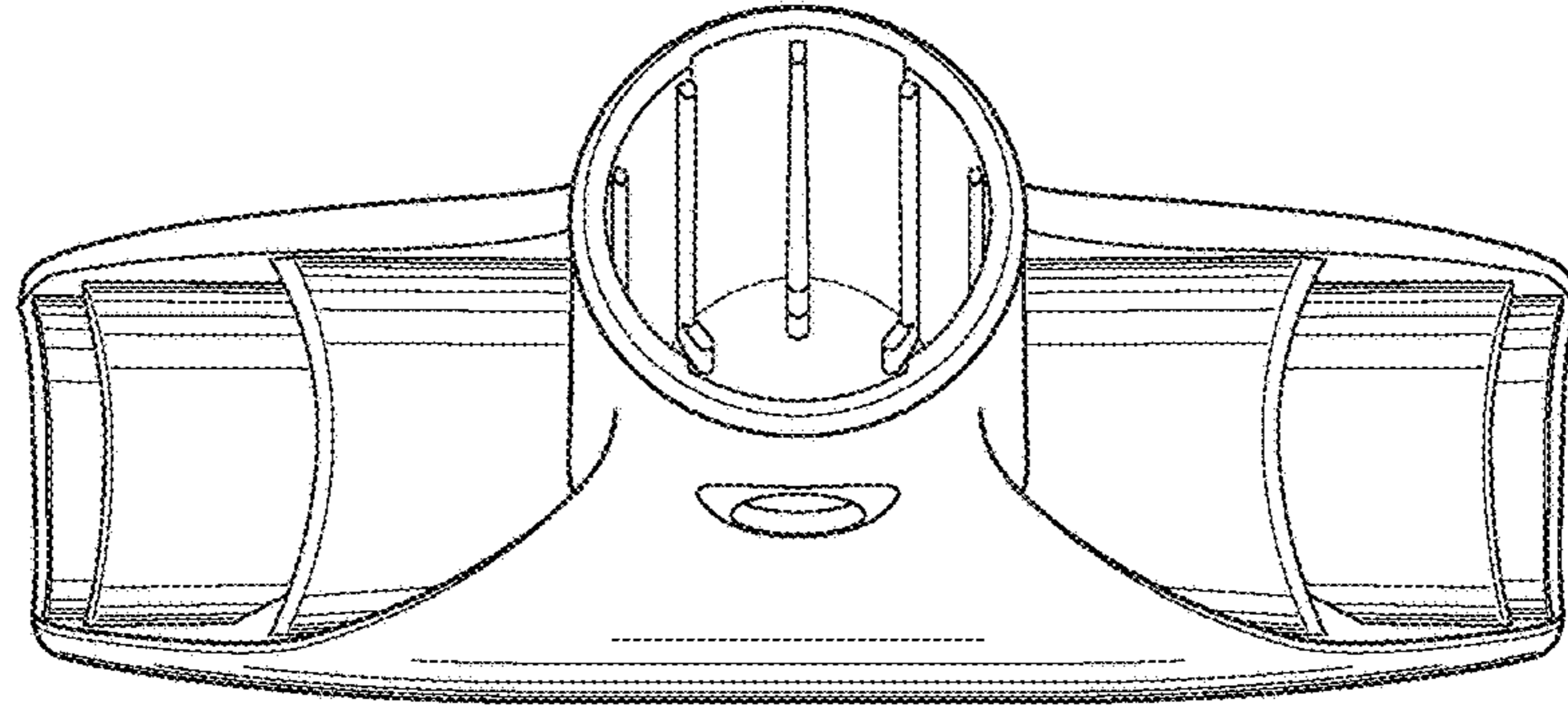


FIG. 6

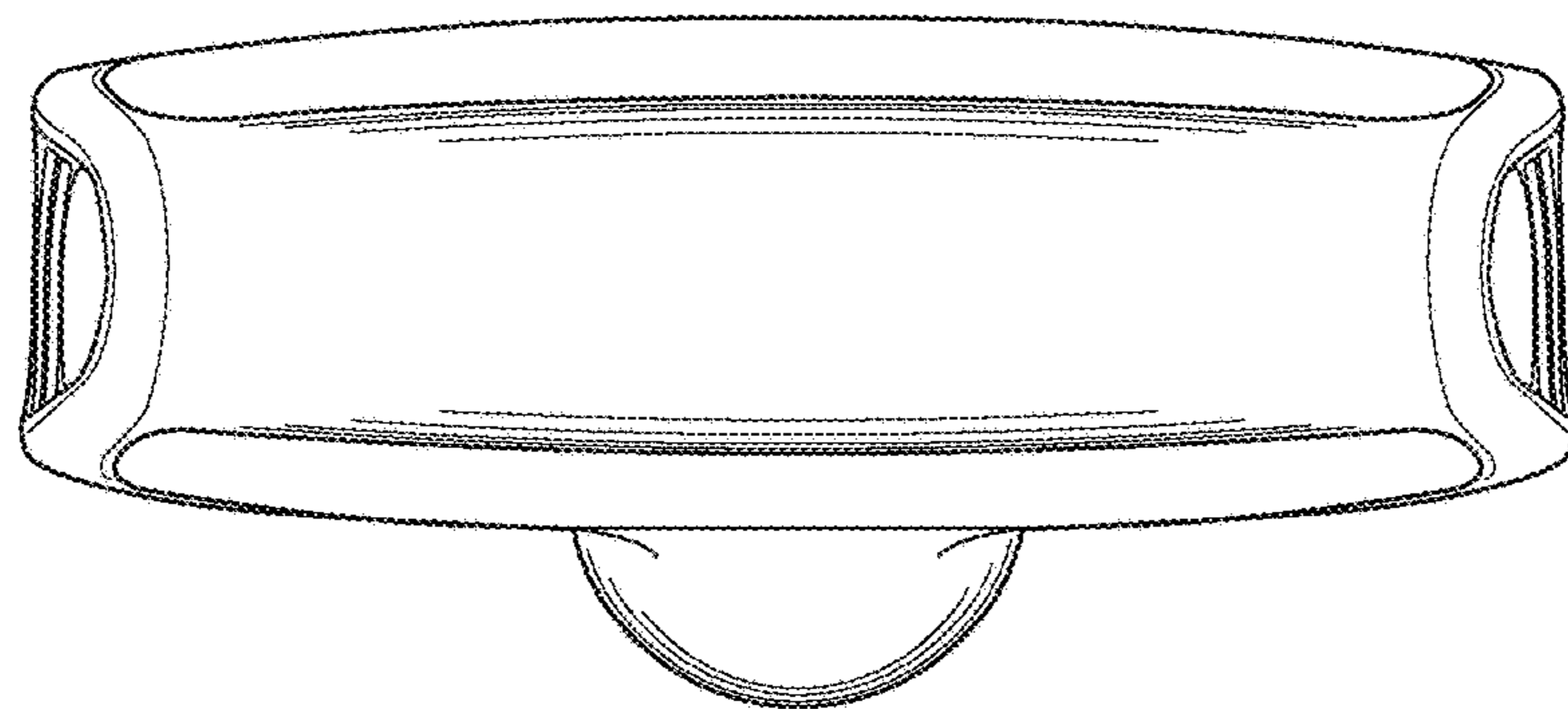


FIG. 7

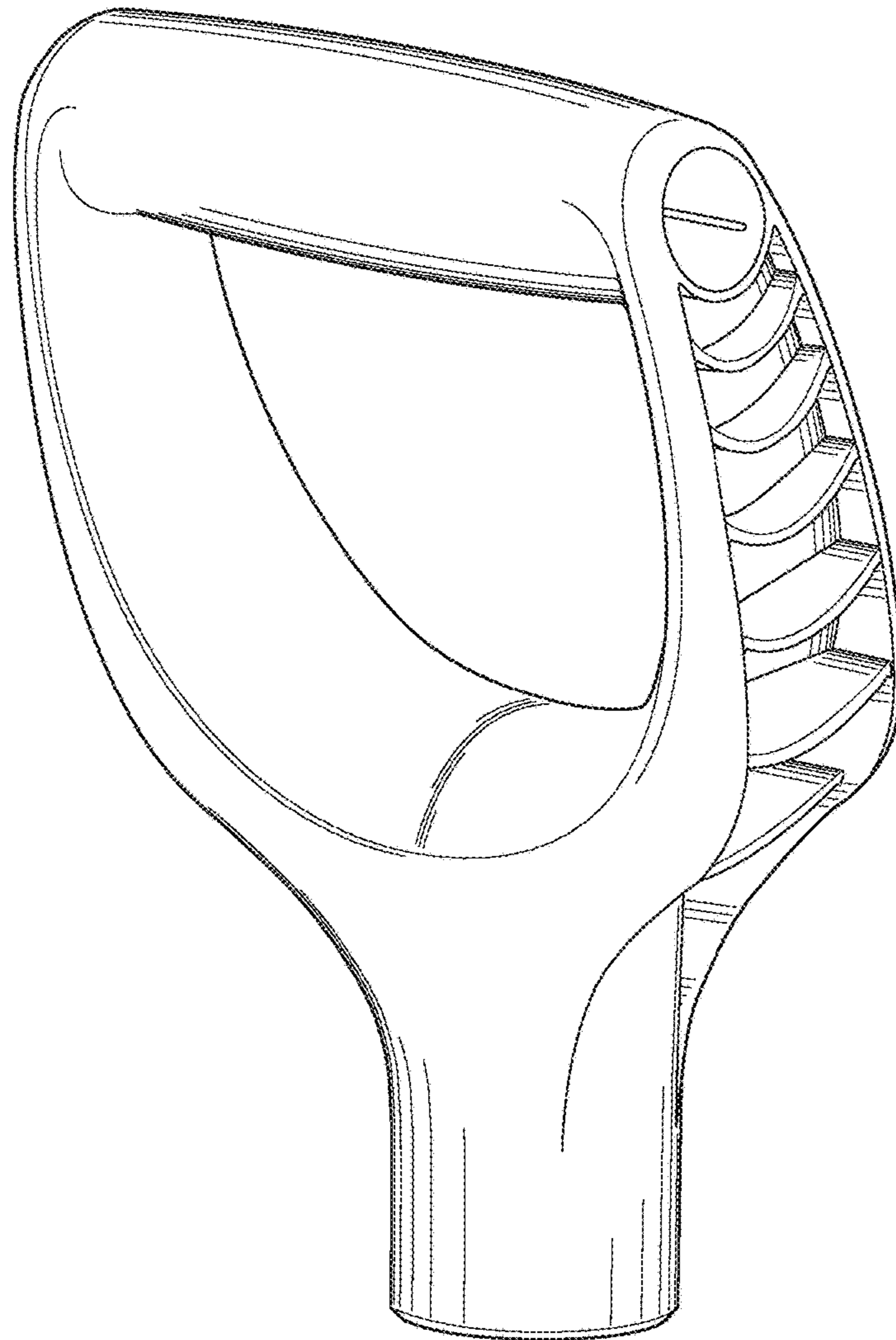


FIG. 8



FIG. 9

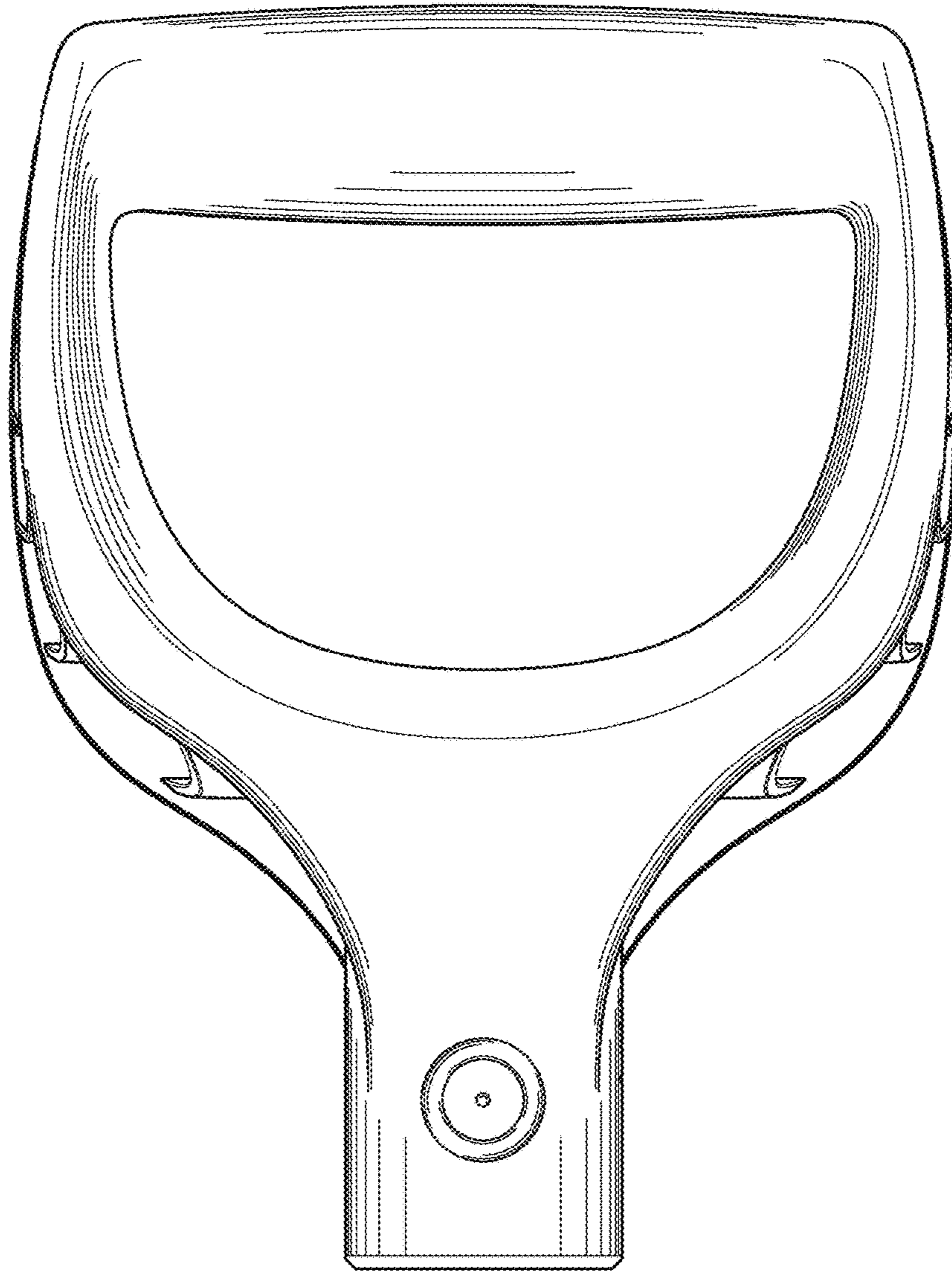


FIG. 10

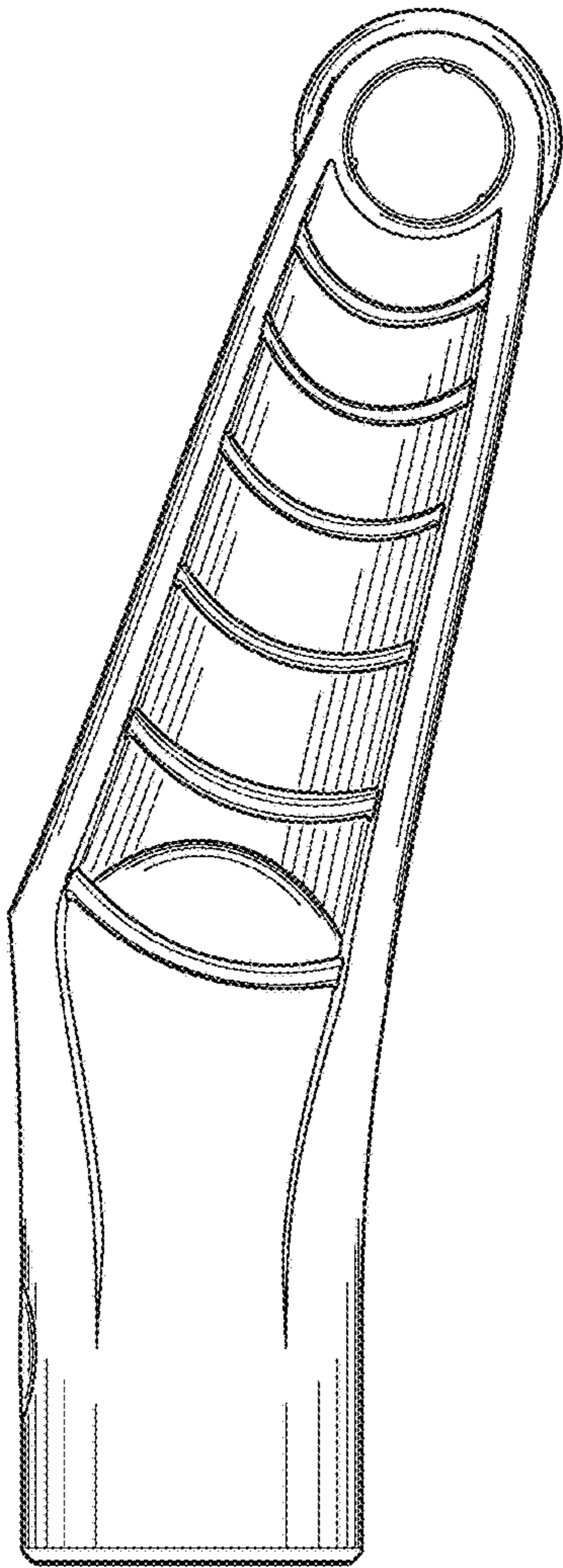


FIG. 11

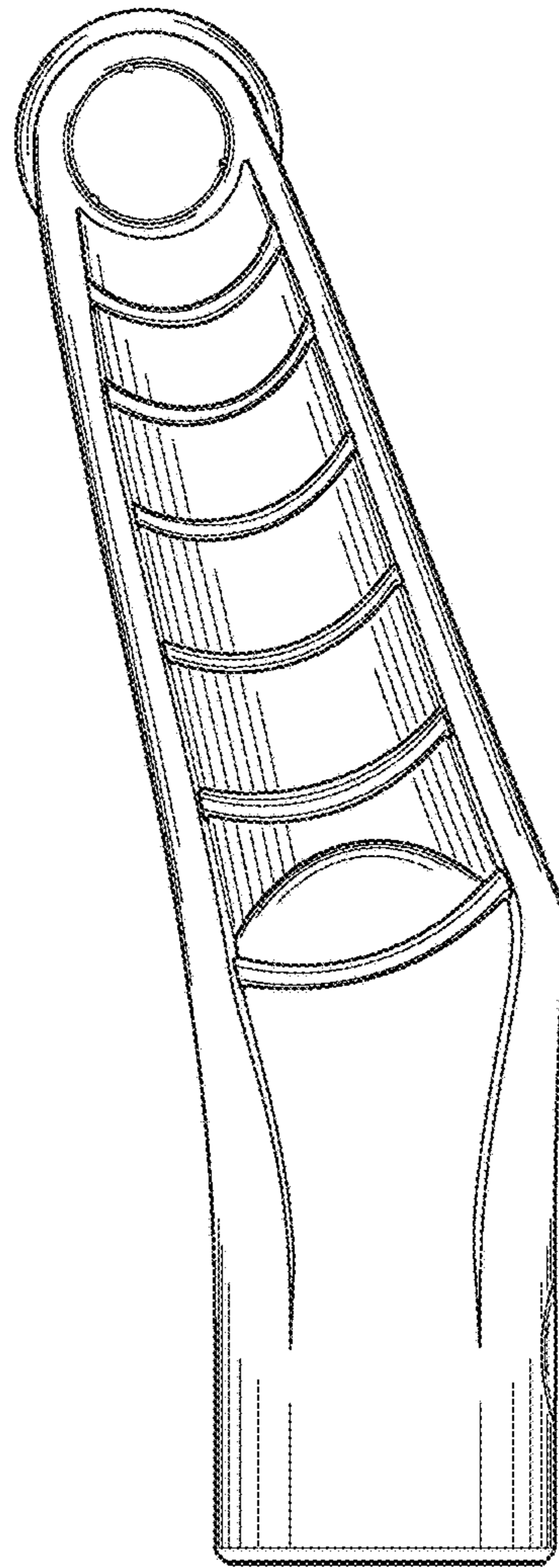


FIG. 12

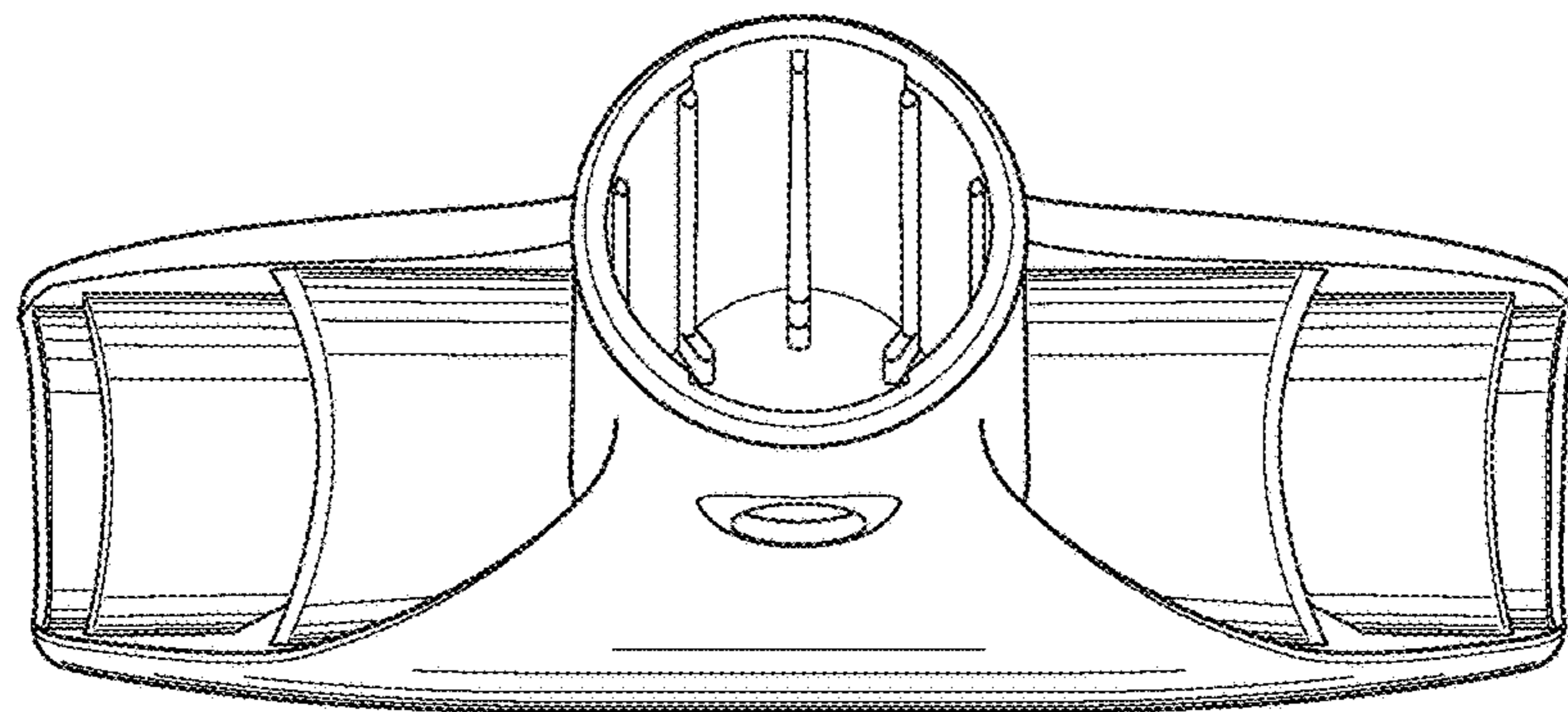


FIG. 13

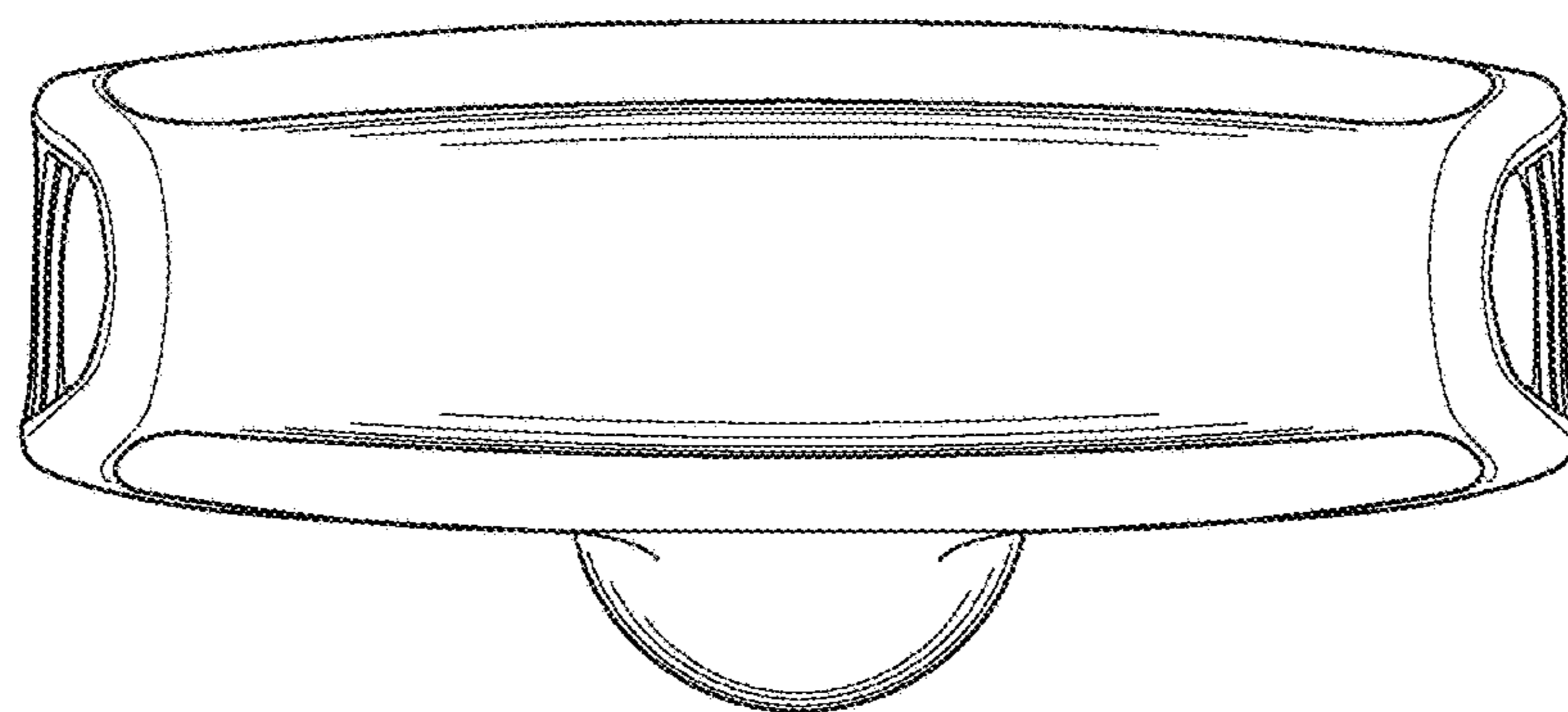


FIG. 14