



US00D859121S

(12) **United States Design Patent**
Zahorski

(10) **Patent No.:** **US D859,121 S**

(45) **Date of Patent:** **** Sep. 10, 2019**

(54) **PULL MOUNT CUTTING DEVICE**

D802,394 S * 11/2017 Yu Chen D8/98
9,969,091 B2 * 5/2018 Jacobs B26B 5/00

(71) Applicant: **Line Cutterz, LLC**, Angleton, TX (US)

* cited by examiner

(72) Inventor: **Vance P. Zahorski**, Angleton, TX (US)

Primary Examiner — Philip S Hyder

(**) Term: **15 Years**

(74) *Attorney, Agent, or Firm* — Thomas W. Galvani,
P.C.; Thomas W. Galvani

(21) Appl. No.: **29/635,377**

(57) **CLAIM**

(22) Filed: **Jan. 30, 2018**

The ornamental design for a pull mount cutting device, as shown and described.

(51) **LOC (12) Cl.** **08-03**

DESCRIPTION

(52) **U.S. Cl.**

USPC **D8/98**; D22/149

(58) **Field of Classification Search**

USPC D8/98, 99, 100, 101, 14, 102; D22/134,
D22/149

CPC B26B 5/00; B26B 9/02; B26B 3/08; B26B
27/002; B26B 27/005

See application file for complete search history.

FIG. 1 is a top perspective view of a pull mount cutting device shown in accordance with my new design;

FIG. 2 is a bottom perspective view of the pull mount cutting device shown in FIG. 1;

FIG. 3 is a front elevation view of the pull mount cutting device shown in FIG. 1;

FIG. 4 is a rear elevation view of the pull mount cutting device shown in FIG. 1;

FIG. 5 is a right side elevation view of the pull mount device shown in FIG. 1;

FIG. 6 is a left side elevation view of the pull mount device shown in FIG. 1;

FIG. 7 is a top plan view of the pull mount cutting device shown in FIG. 1; and,

FIG. 8 is a bottom plan view of the pull mount cutting device shown in FIG. 1.

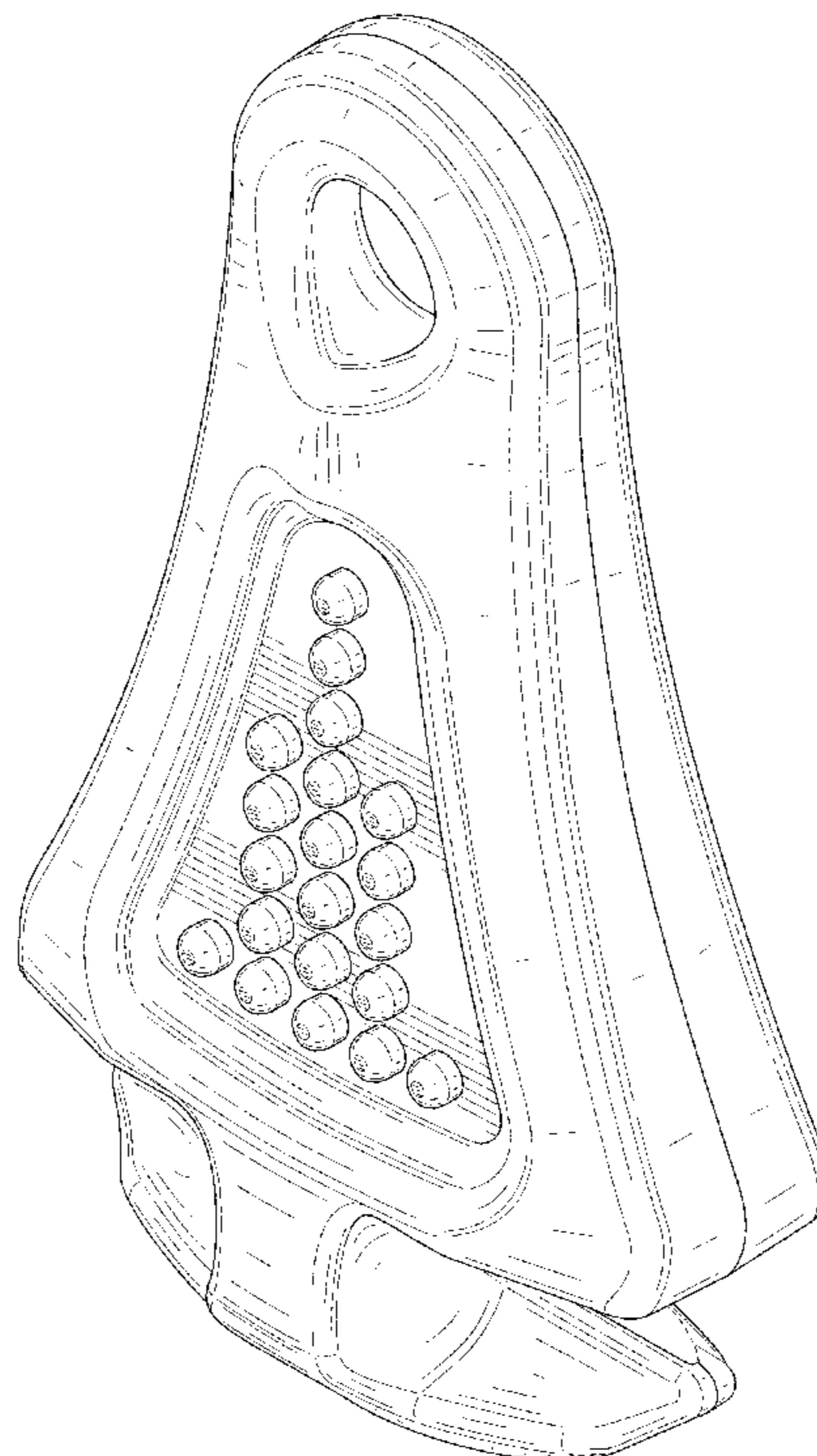
The broken lines in FIGS. 2 and 8 depict an area of the pull mount cutting device that is not considered part of the claimed design.

(56) **References Cited**

U.S. PATENT DOCUMENTS

D457,934 S *	5/2002	Le Coq	D22/149
D619,674 S *	7/2010	Marlin	D22/134
D632,248 S *	2/2011	Cacioppo	D13/107
7,958,639 B2 *	6/2011	Ireland	B26B 3/00 30/2
D649,001 S *	11/2011	Still	D8/105
D687,287 S *	8/2013	Yu Chen	D8/98
D714,611 S *	10/2014	Yu Chen	D8/98
9,346,177 B2 *	5/2016	Mayes	B26B 5/00
D767,966 S *	10/2016	Standlee	D8/98

1 Claim, 7 Drawing Sheets



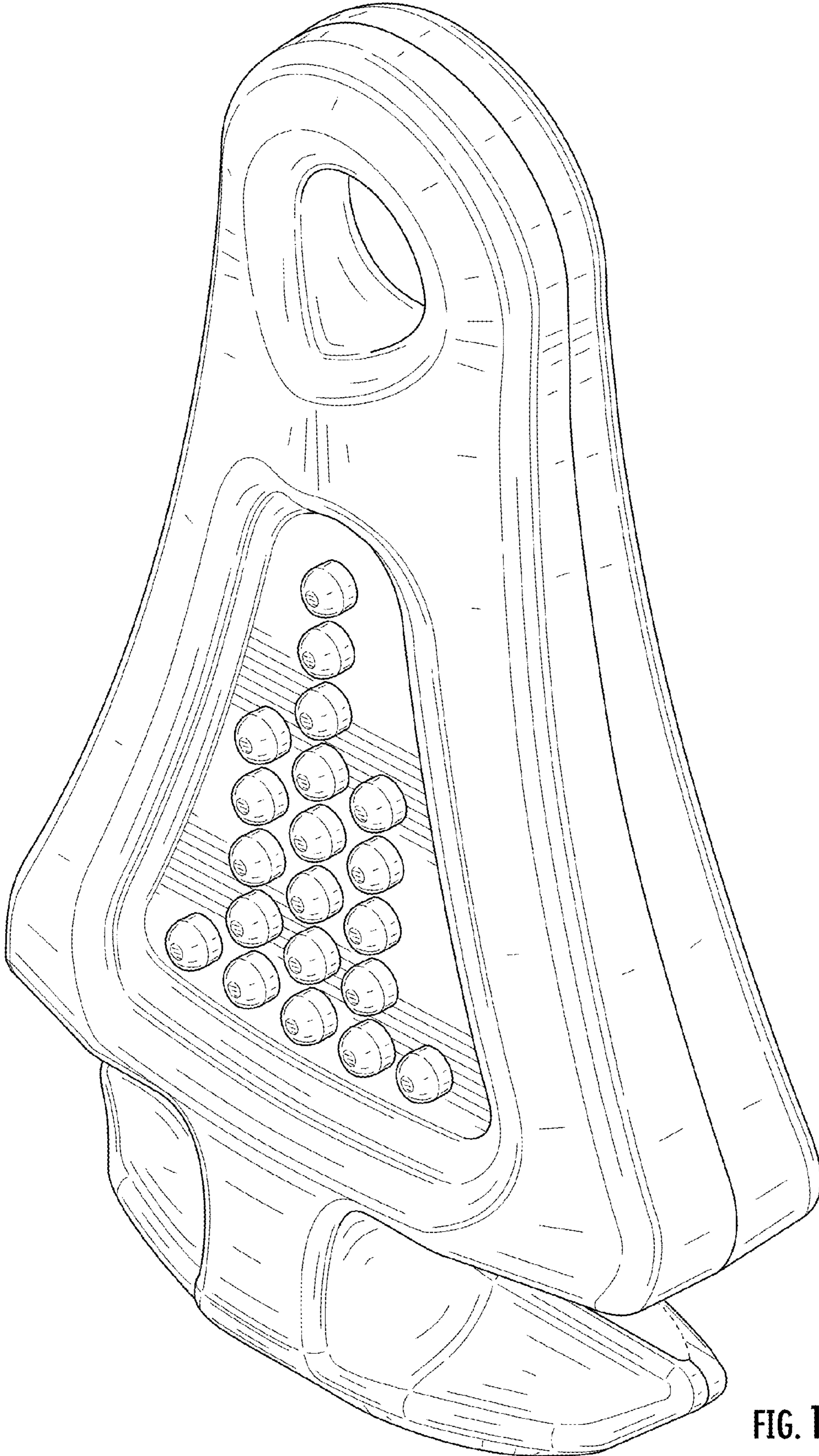


FIG. 1

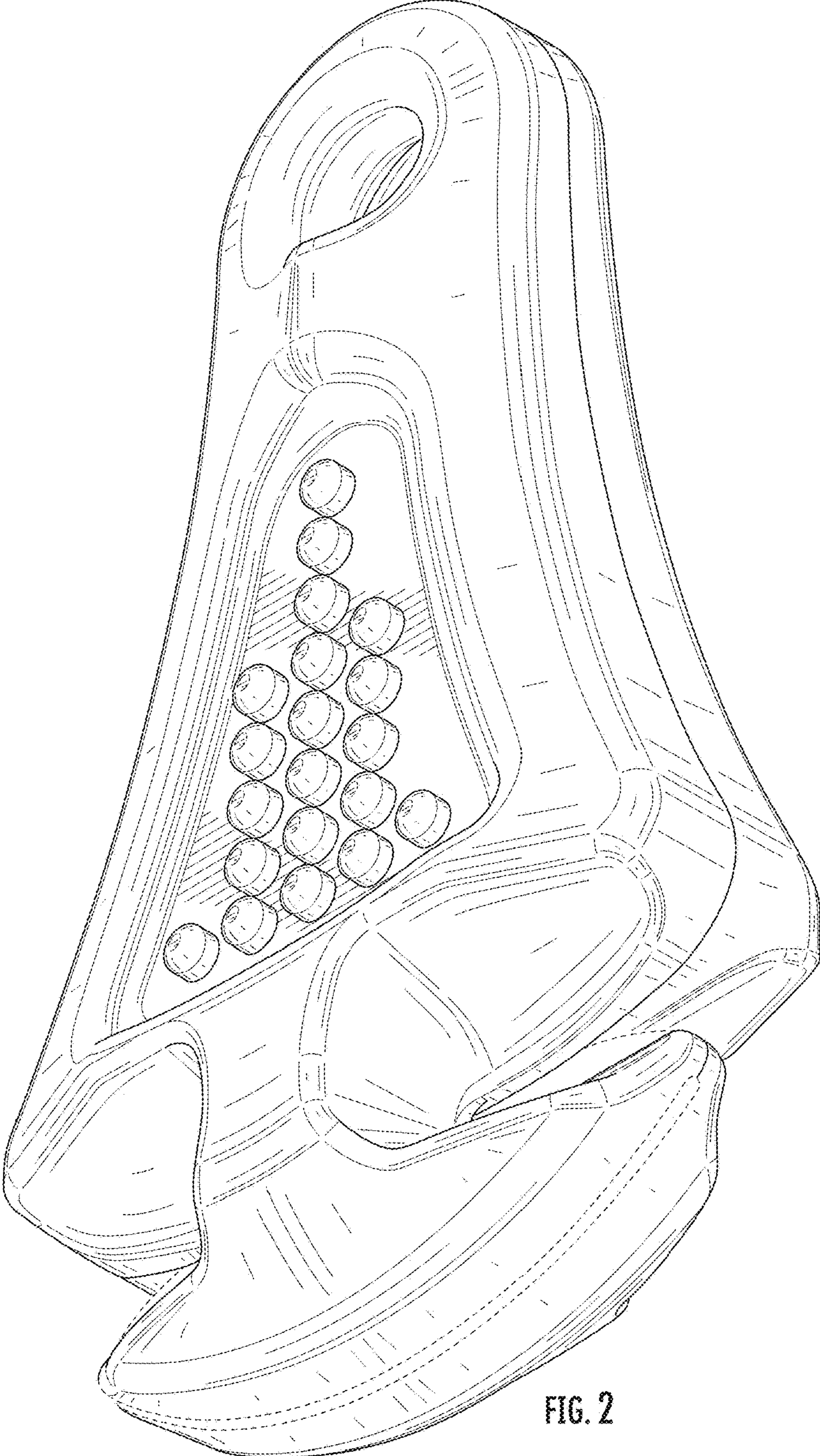


FIG. 2

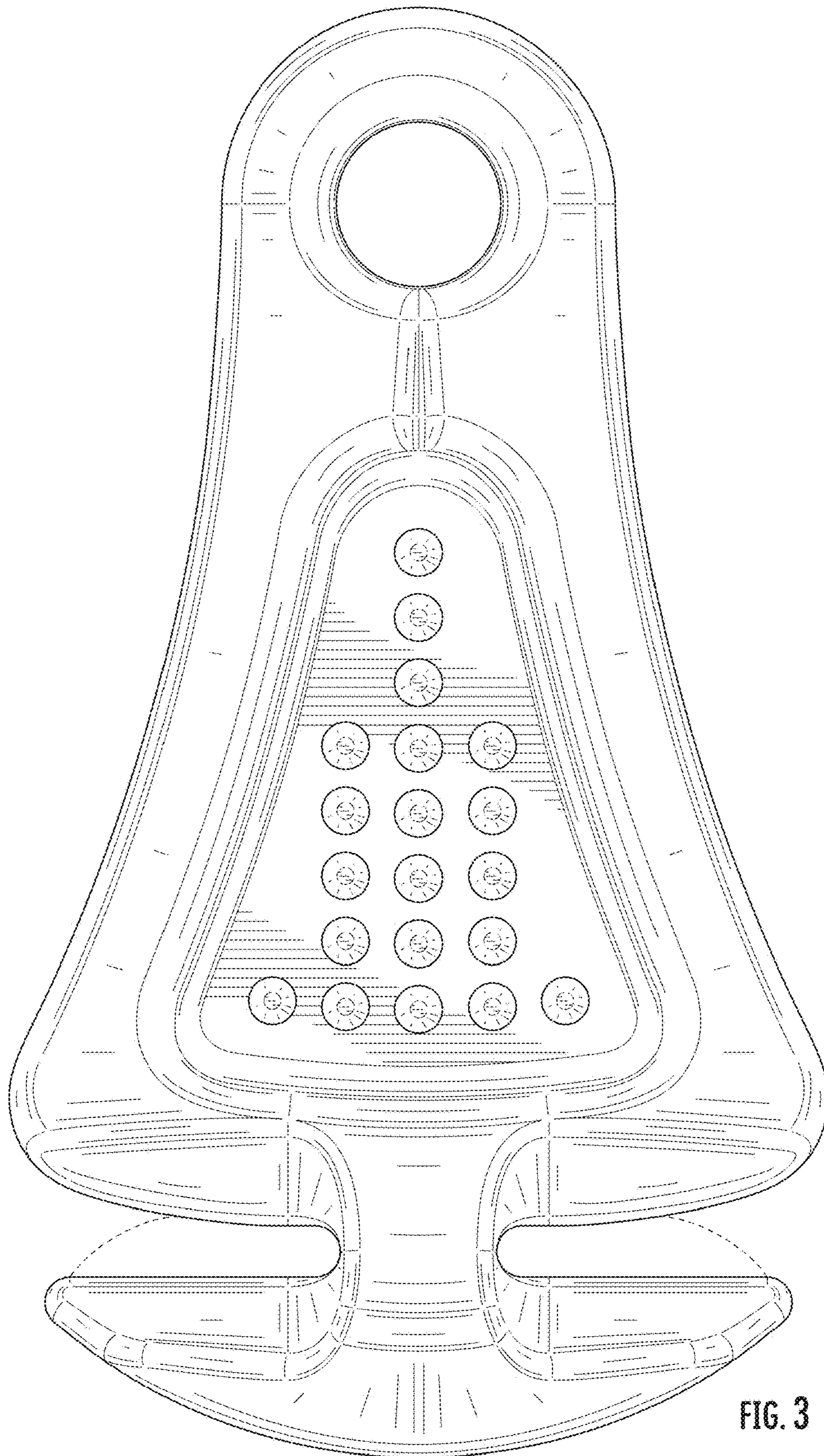


FIG. 3

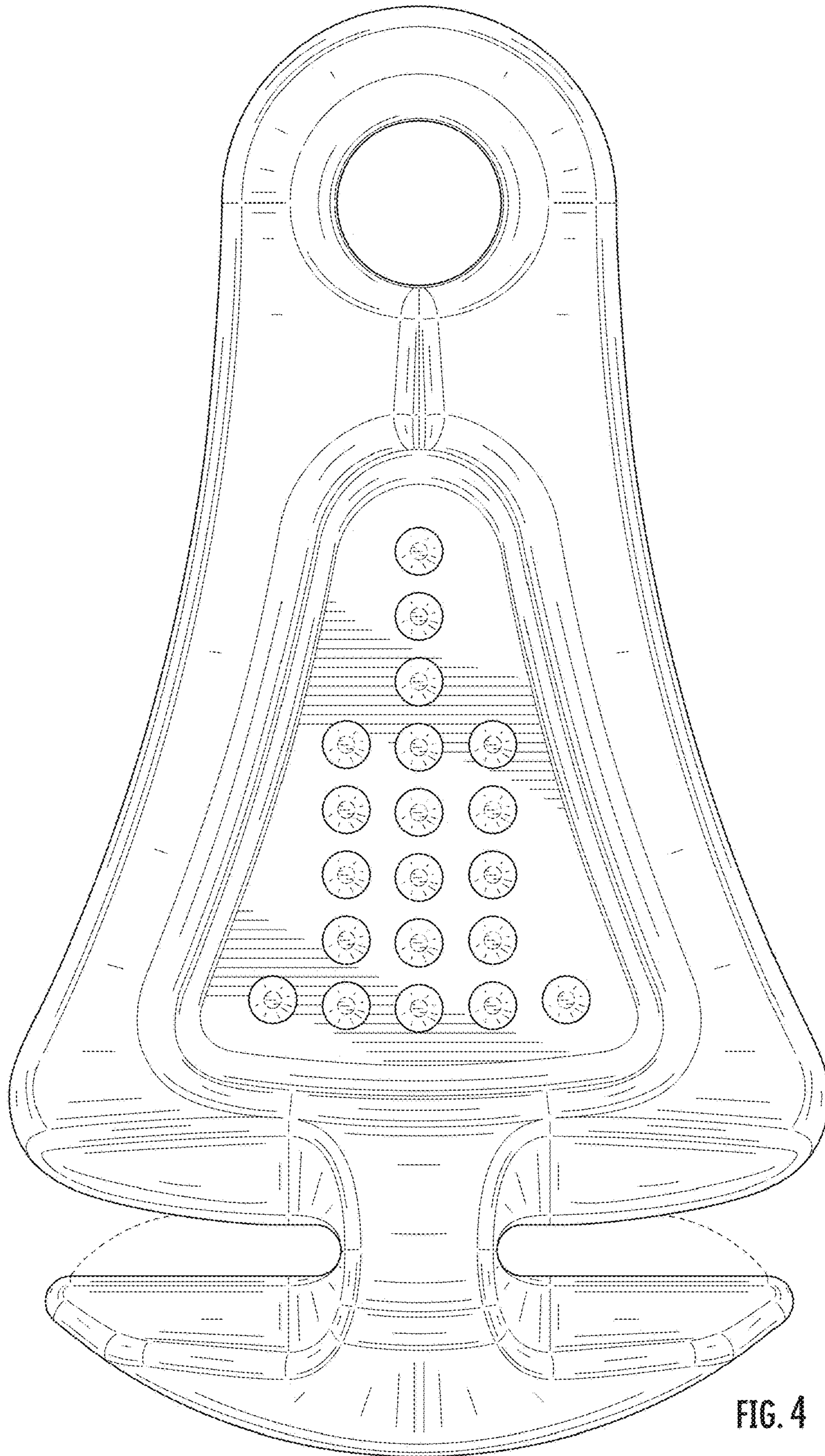


FIG. 4

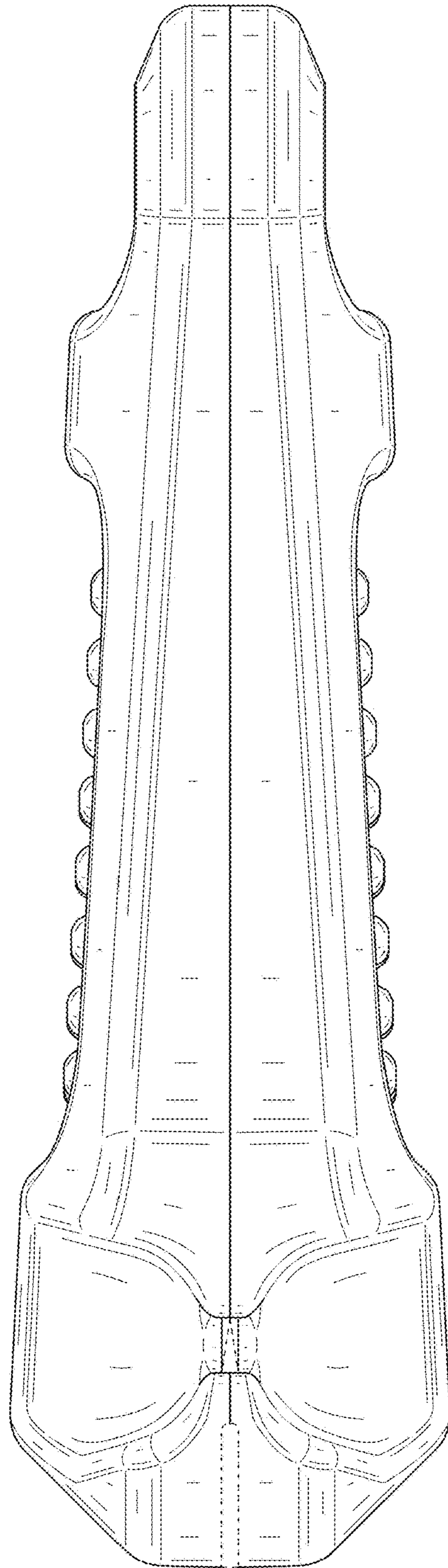


FIG. 5

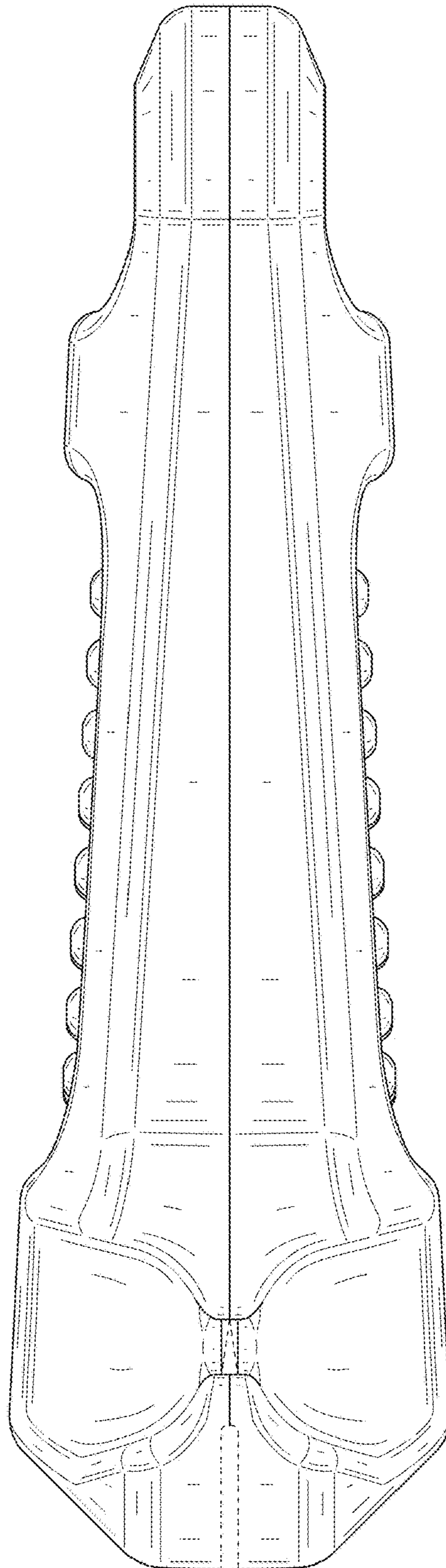


FIG. 6

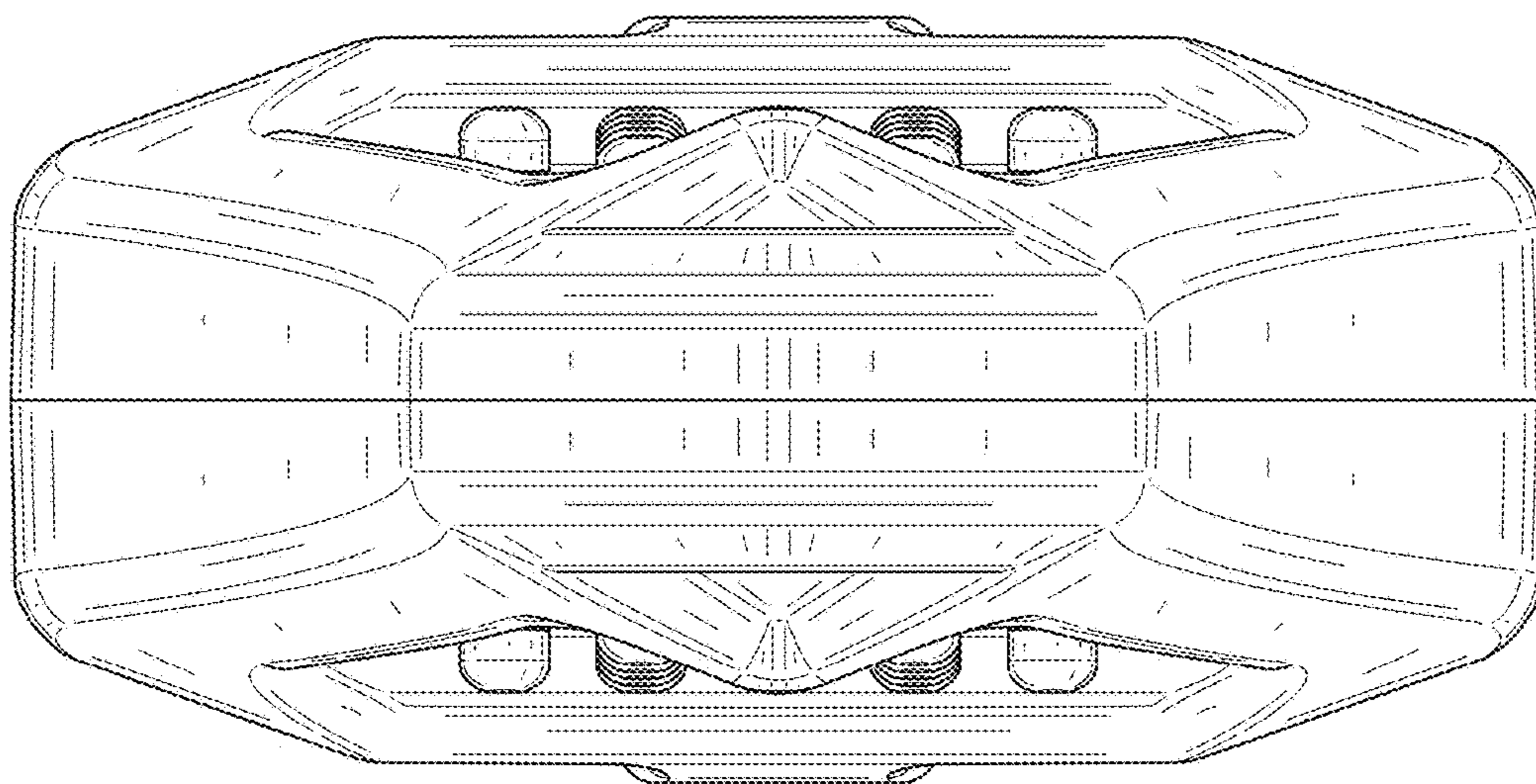


FIG. 7

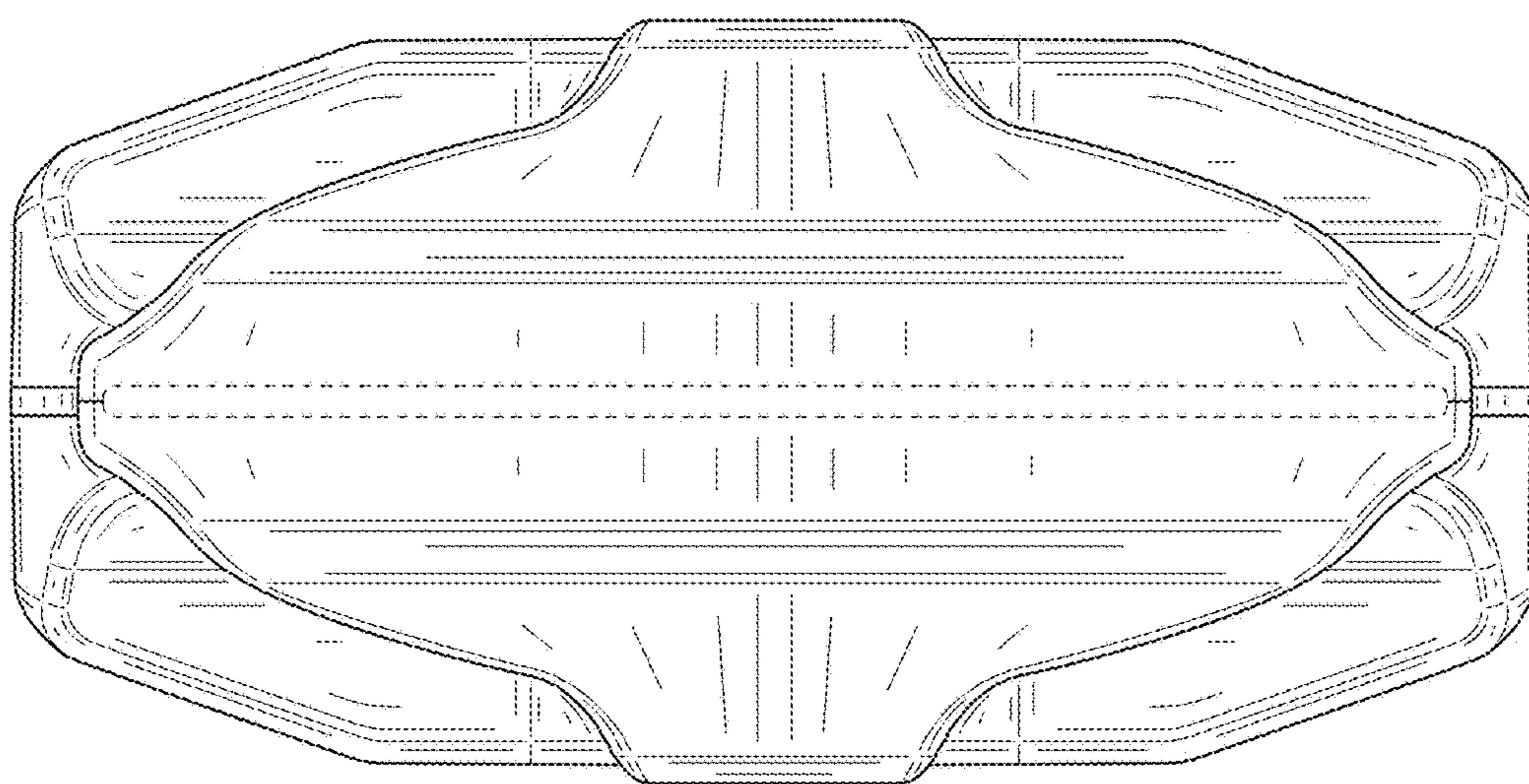


FIG. 8