



US00D859120S

(12) **United States Design Patent**
Mendez

(10) **Patent No.:** **US D859,120 S**

(45) **Date of Patent:** **** Sep. 10, 2019**

(54) **DEVICE FOR SMOOTHING WINDOW
TINTING AND GRAPHICS APPLICATION
TOOLS**

(71) Applicant: **Tri-Edge Industries, LLC**, Lake
Worth, FL (US)

(72) Inventor: **Jay Mendez**, Greenacres, FL (US)

(73) Assignee: **TRI-EDGE INDUSTRIES, LLC**, Lake
Worth, FL (US)

(**) Term: **15 Years**

(21) Appl. No.: **29/632,982**

(22) Filed: **Jan. 11, 2018**

(51) **LOC (12) Cl.** **08-05**

(52) **U.S. Cl.**
USPC **D8/90**

(58) **Field of Classification Search**
USPC D8/14, 90, 91, 92, 93
CPC B24D 15/00; B24D 15/04; B24D 15/06;
B24D 15/066
See application file for complete search history.

(56) **References Cited**

U.S. PATENT DOCUMENTS

D219,726 S * 1/1971 Van Horn D8/91
3,670,459 A * 6/1972 Welton B24D 15/00
15/105
D276,884 S * 12/1984 Carter D8/91

5,445,050 A * 8/1995 Owens B24D 15/066
451/392
5,499,556 A * 3/1996 Exner A63C 3/10
451/558
5,569,064 A * 10/1996 Gleadall B24D 15/066
451/558
D392,536 S * 3/1998 Anderson D8/91
5,749,770 A * 5/1998 Uzumcu B24B 23/04
451/28
5,954,571 A * 9/1999 Case B24D 15/04
451/354
5,993,306 A * 11/1999 McCoy B24D 15/04
451/523

* cited by examiner

Primary Examiner — Philip S Hyder

(74) *Attorney, Agent, or Firm* — Robert M. Downey, P.A.

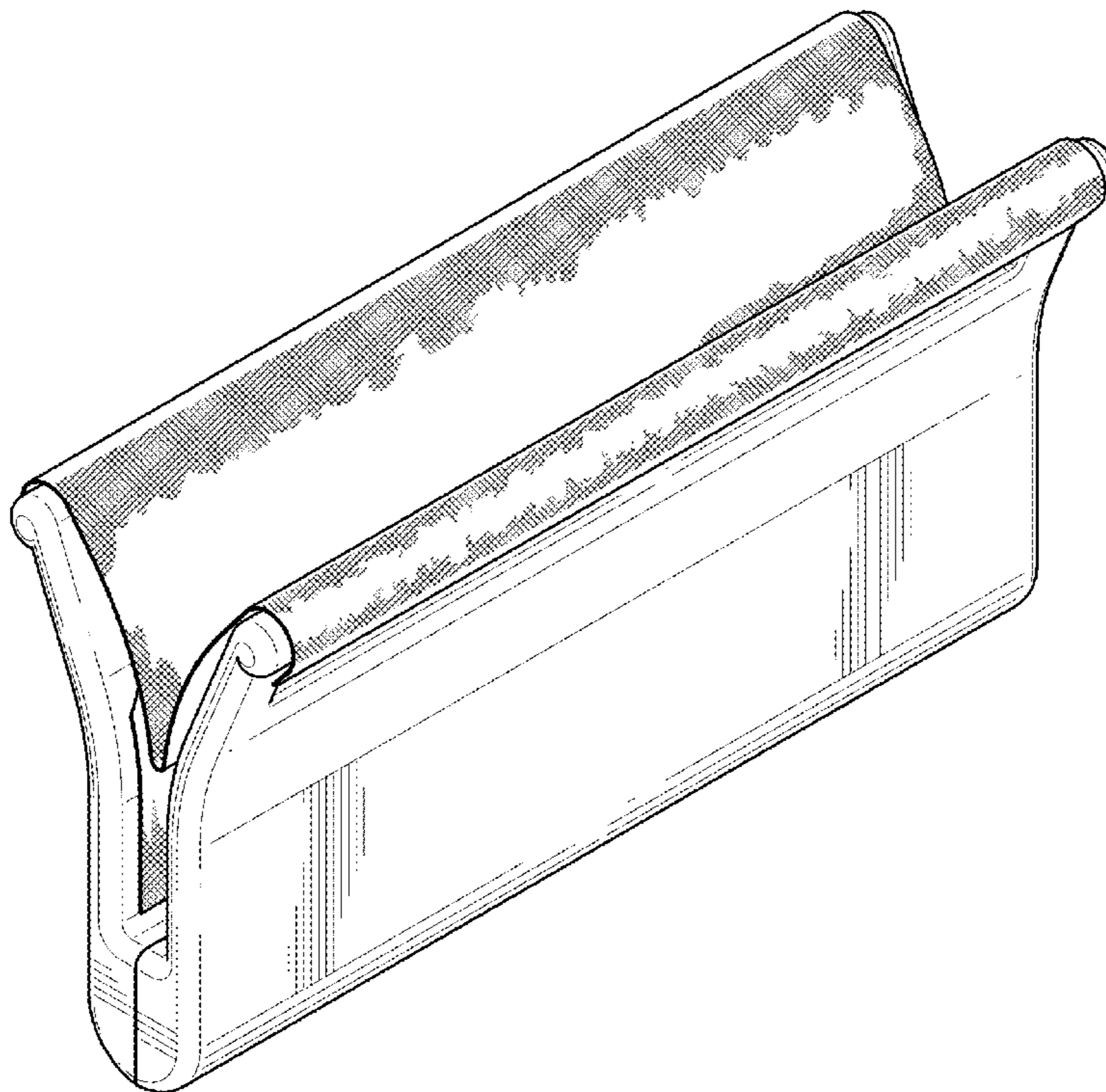
(57) **CLAIM**

The ornamental design for a device for smoothing window tinting and graphics application tools, as shown and described.

DESCRIPTION

FIG. 1 is a top, perspective view of a device for smoothing window tinting and graphics application tools;
FIG. 2 is a front elevational view thereof;
FIG. 3 is a rear elevational view thereof;
FIG. 4 is a right end elevational view thereof;
FIG. 5 is a left end elevational view thereof;
FIG. 6 is a top plan view thereof; and,
FIG. 7 is a bottom plan view thereof.

1 Claim, 4 Drawing Sheets



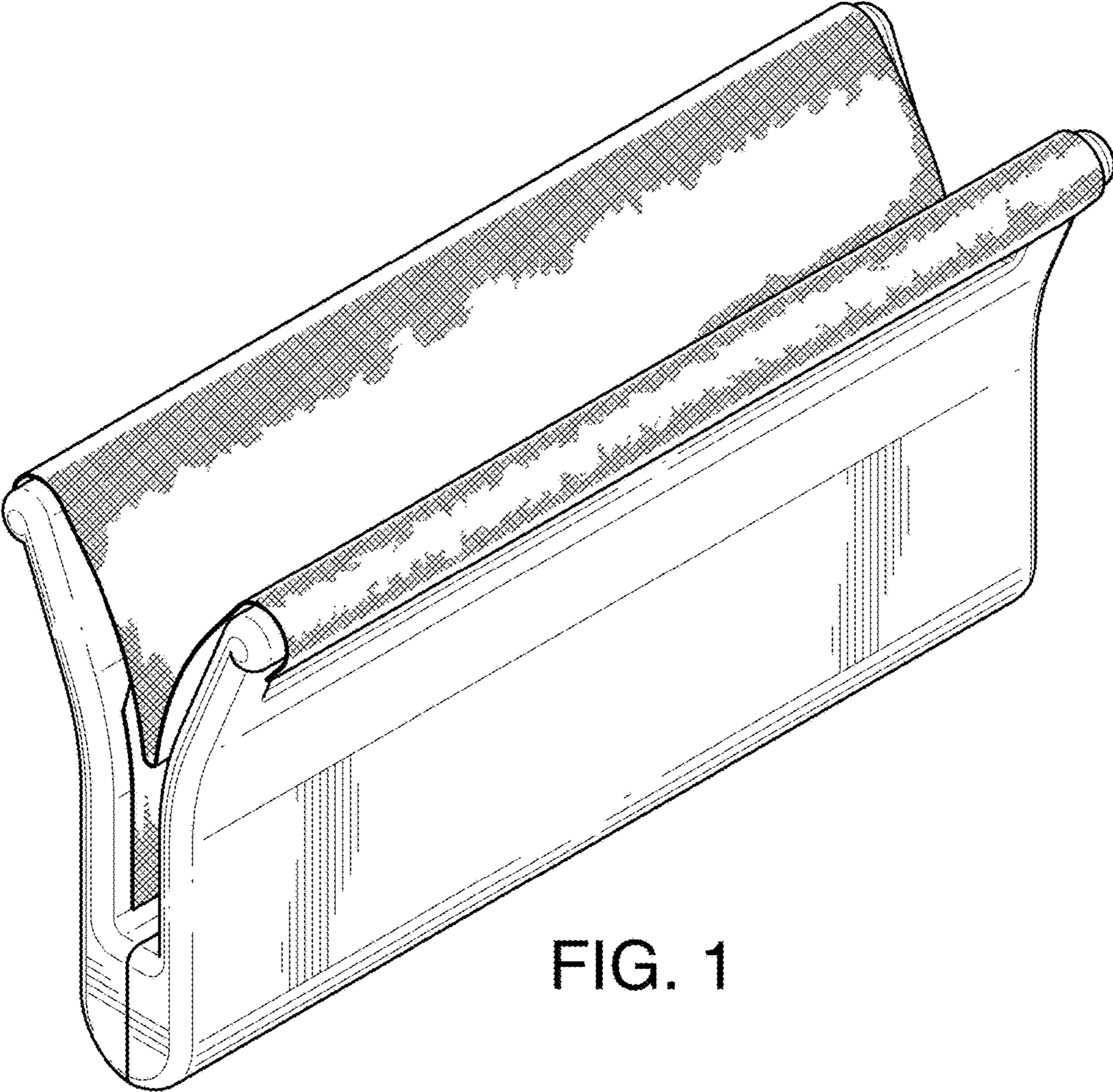


FIG. 1

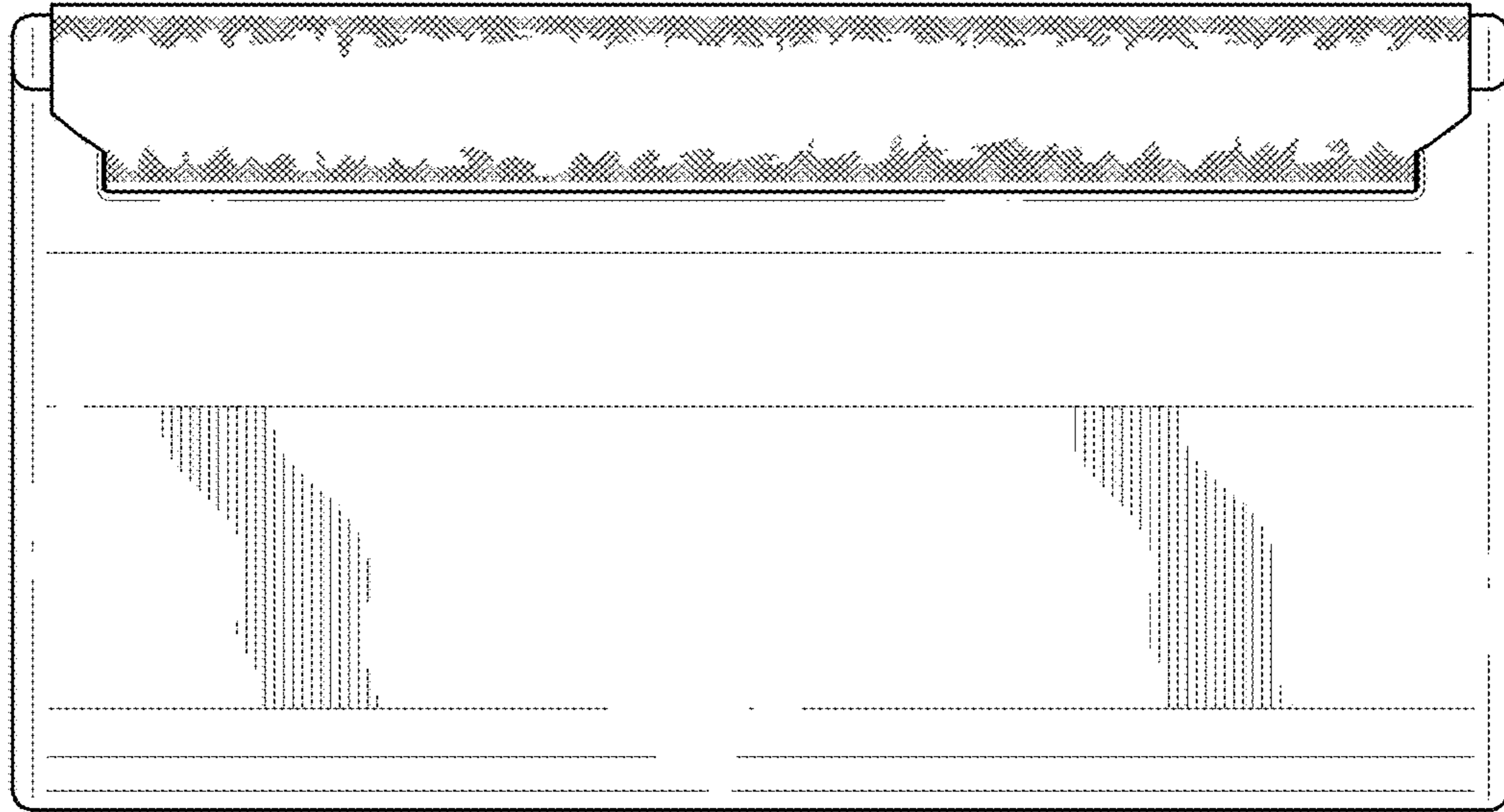


FIG. 2

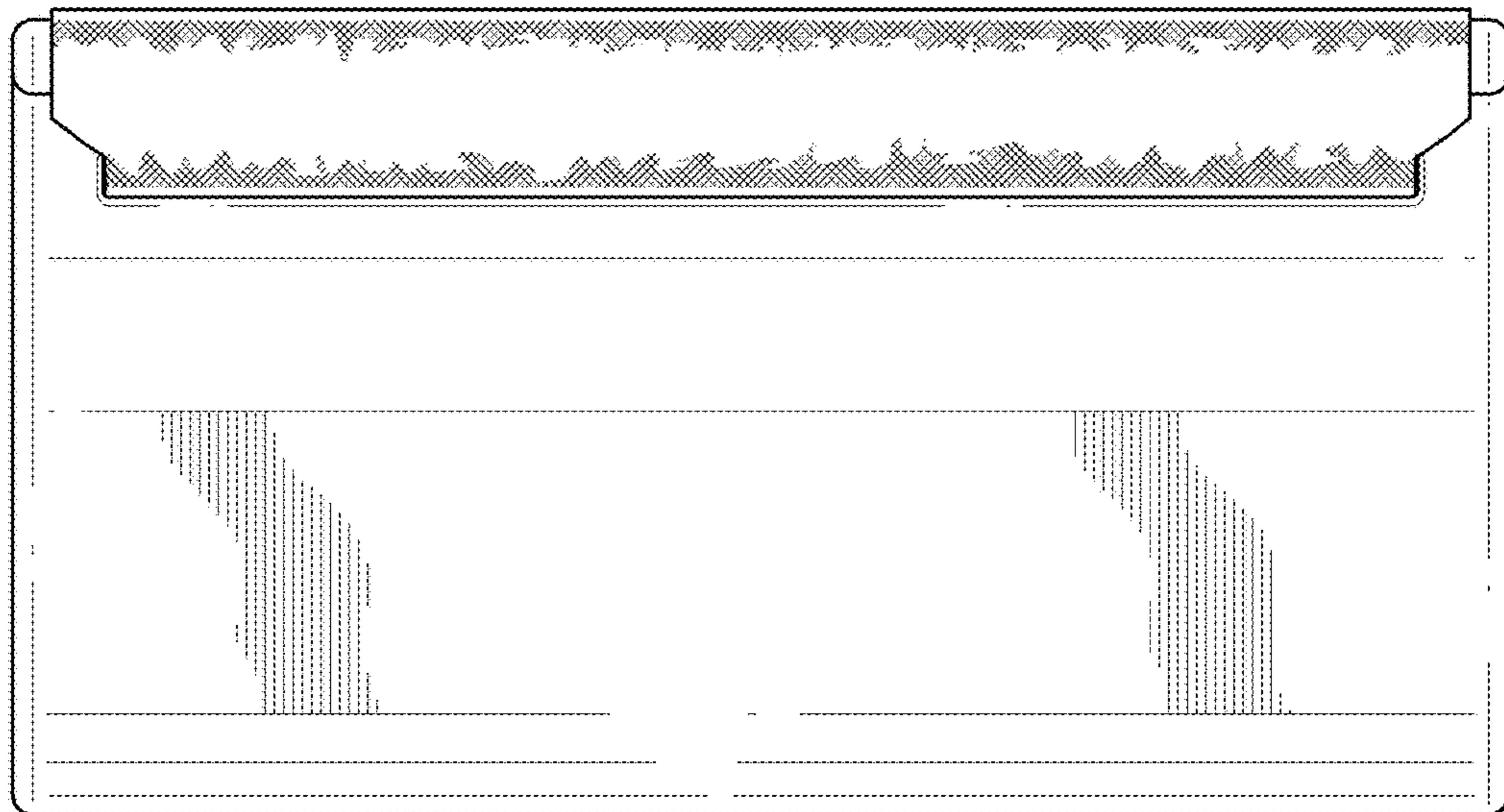


FIG. 3

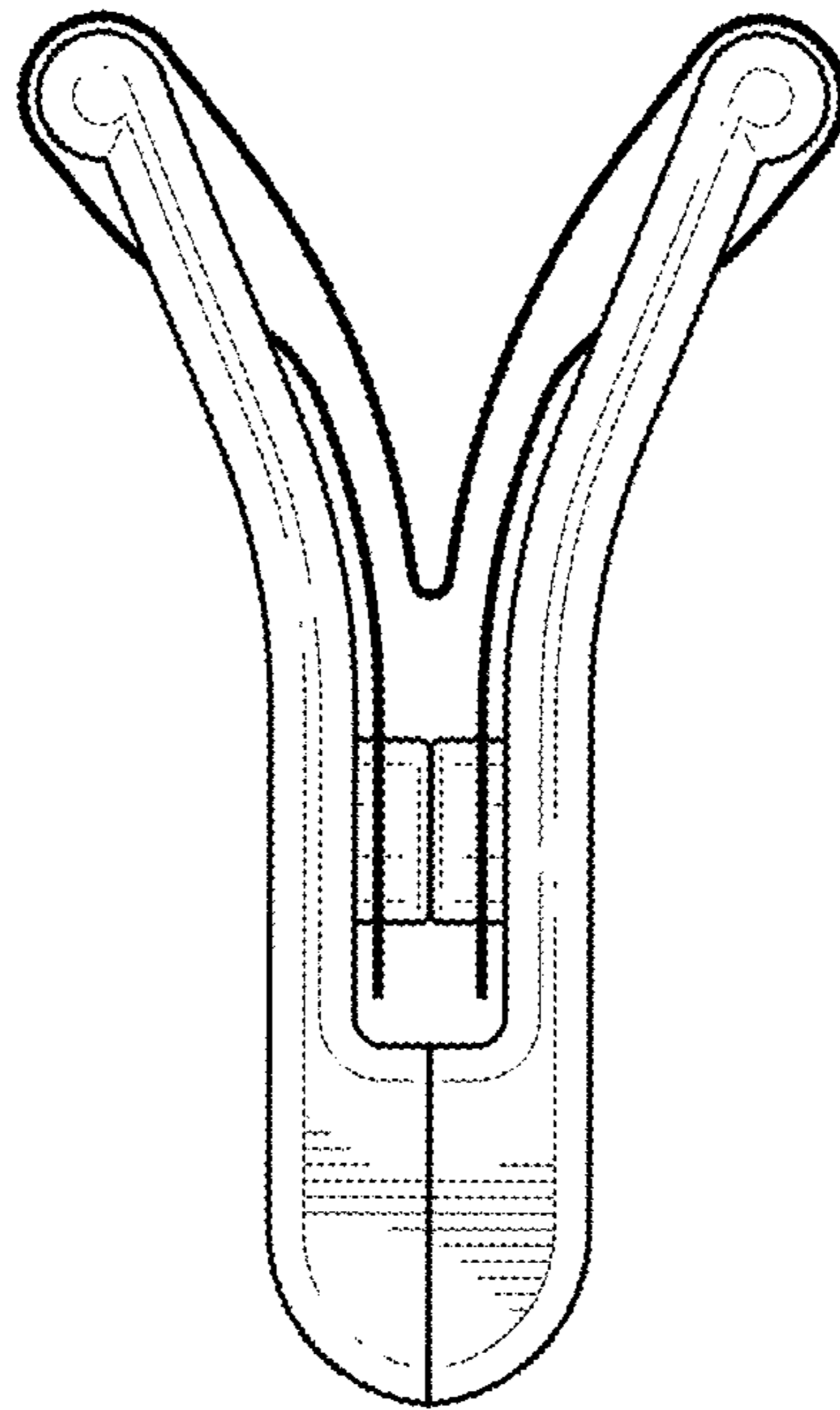


FIG. 4

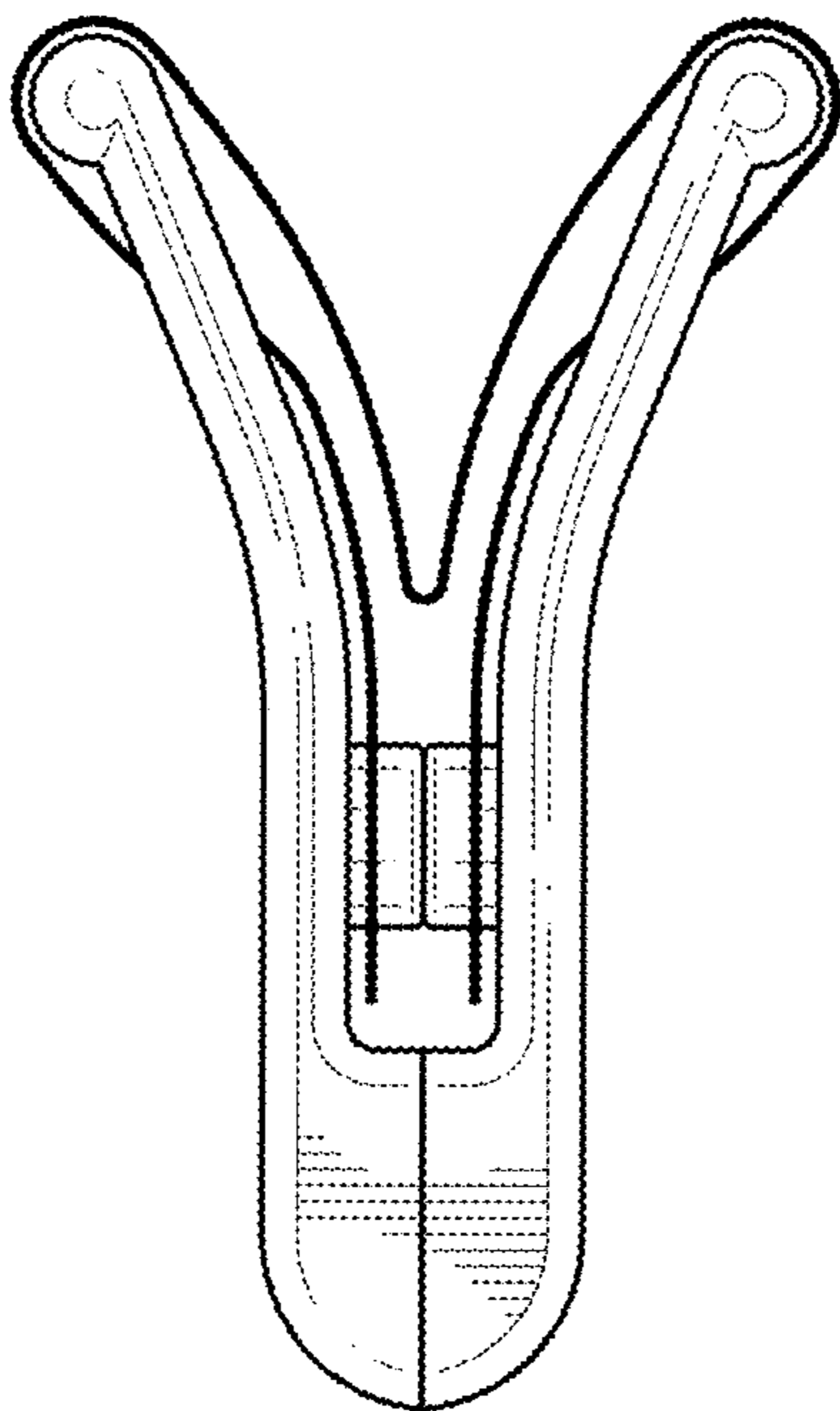


FIG. 5

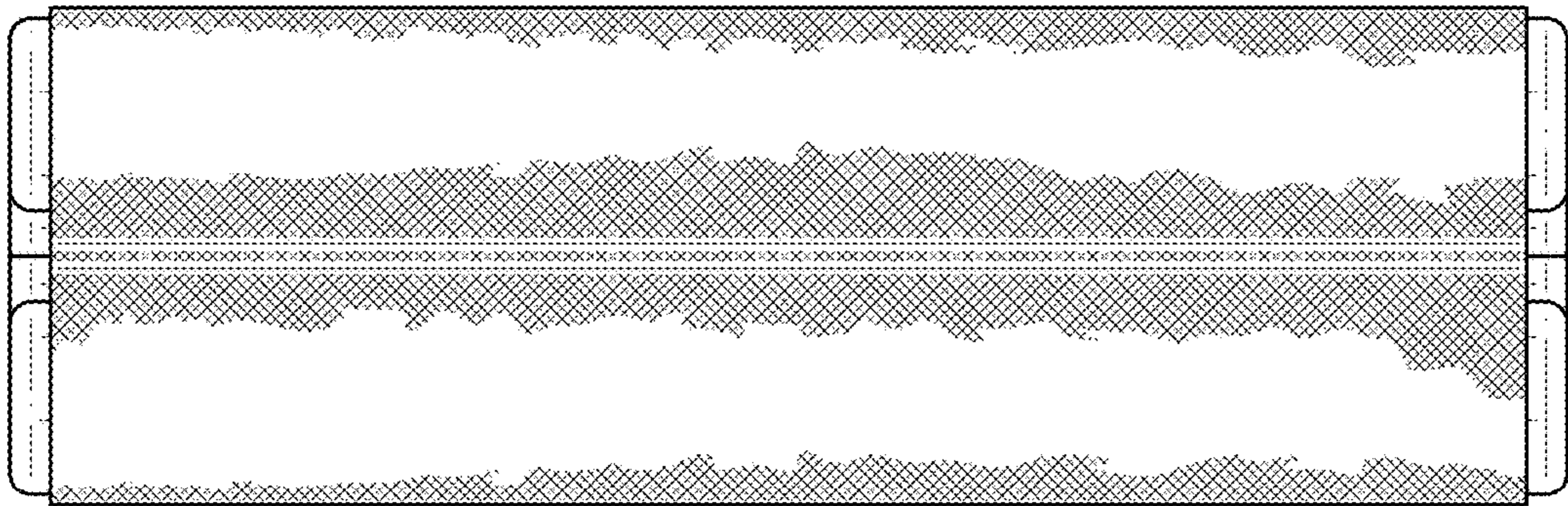


FIG. 6

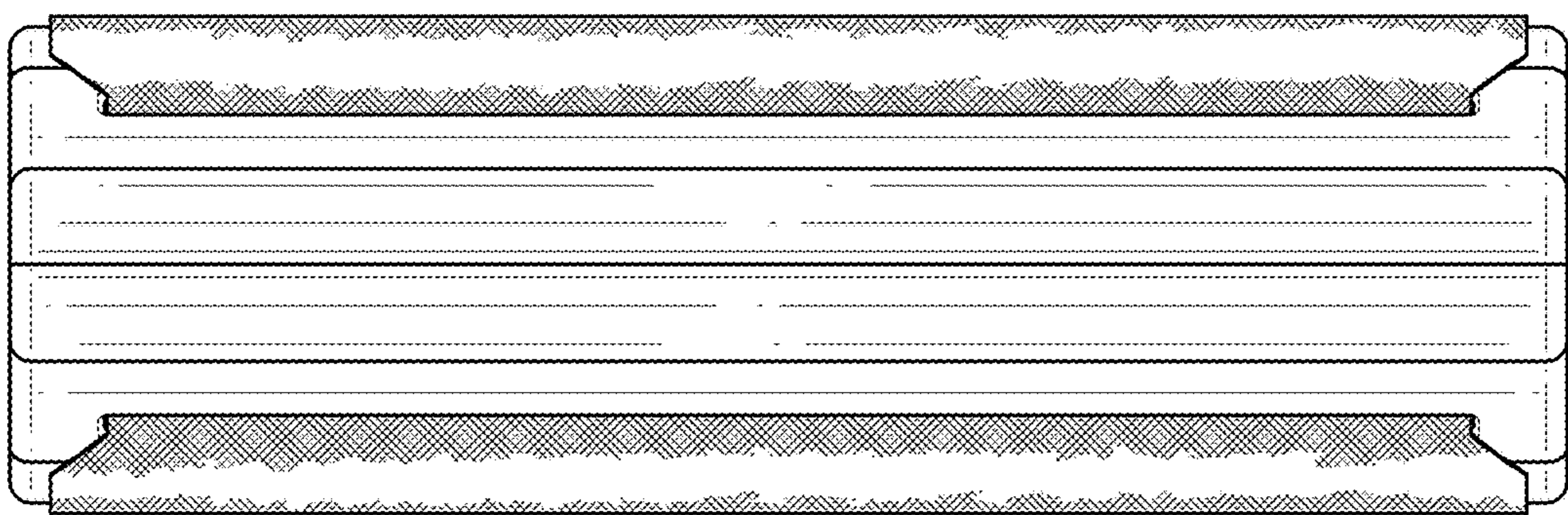


FIG. 7