



US00D859119S

(12) **United States Design Patent** (10) **Patent No.:** **US D859,119 S**
Hyma et al. (45) **Date of Patent:** **** Sep. 10, 2019**

(54) **SCREWDRIVER**

(71) Applicant: **MILWAUKEE ELECTRIC TOOL CORPORATION**, Brookfield, WI (US)

(72) Inventors: **Steven W. Hyma**, Milwaukee, WI (US); **Joseph M. DeBaker**, Greenfield, WI (US); **Kyle C. Anderson**, Milwaukee, WI (US)

(73) Assignee: **Milwaukee Electric Tool Corporation**, Brookfield, WI (US)

(**) Term: **15 Years**

(21) Appl. No.: **29/606,911**

(22) Filed: **Jun. 8, 2017**

(51) **LOC (12) Cl.** **08-04**

(52) **U.S. Cl.**
USPC **D8/83**

(58) **Field of Classification Search**
USPC ... D8/82, 83, 84, 85, 86, 87, 107, 300, 303;
D24/133; D7/395

See application file for complete search history.

(56) **References Cited**

U.S. PATENT DOCUMENTS

D197,501 S	2/1964	Huxtable	
D340,633 S	10/1993	Badiali	
D363,012 S	10/1995	Humphries	
D408,252 S	4/1999	Holland-Lentz	
D408,253 S *	4/1999	Rowlay	D8/107
D412,096 S	7/1999	Kung	
D419,846 S *	2/2000	Hasan	D8/83
D421,887 S	3/2000	Hung	
D424,904 S	5/2000	Hasan	
D441,269 S	5/2001	Tsai	
D452,423 S	12/2001	Shimansky	
D463,243 S	9/2002	Lisle	

D468,182 S *	1/2003	Thompson	D8/107
D475,268 S	6/2003	Lisle	
D482,590 S	11/2003	Lisle	
D482,591 S	11/2003	Lisle	
D494,443 S *	8/2004	Saunders	D8/107
D513,378 S	1/2006	Lin	
D516,893 S	3/2006	Kuo	
D525,850 S *	8/2006	Huang	D8/83
D531,005 S	10/2006	Chang	
D531,006 S *	10/2006	Tsai	D8/107
D542,620 S *	5/2007	Thompson	D8/107
D552,956 S	10/2007	Wen	
D572,105 S	7/2008	Brockman	
D585,261 S	1/2009	Shih	
D629,666 S	12/2010	Lai	
D637,470 S	5/2011	Vigil	
D645,717 S *	9/2011	Ou	D8/83
D686,899 S *	7/2013	Lin	D8/83

* cited by examiner

Primary Examiner — Philip S Hyder

(74) *Attorney, Agent, or Firm* — Reinhart Boerner Van Deuren s.c.

(57) **CLAIM**

We claim the ornamental design for a screwdriver, as shown.

DESCRIPTION

FIG. 1 is a perspective view of a screwdriver according to an embodiment of the invention.

FIG. 2 is a front side view of the screwdriver of FIG. 1.

FIG. 3 is a back side view of the screwdriver of FIG. 1.

FIG. 4 is a first side view of the screwdriver of FIG. 1.

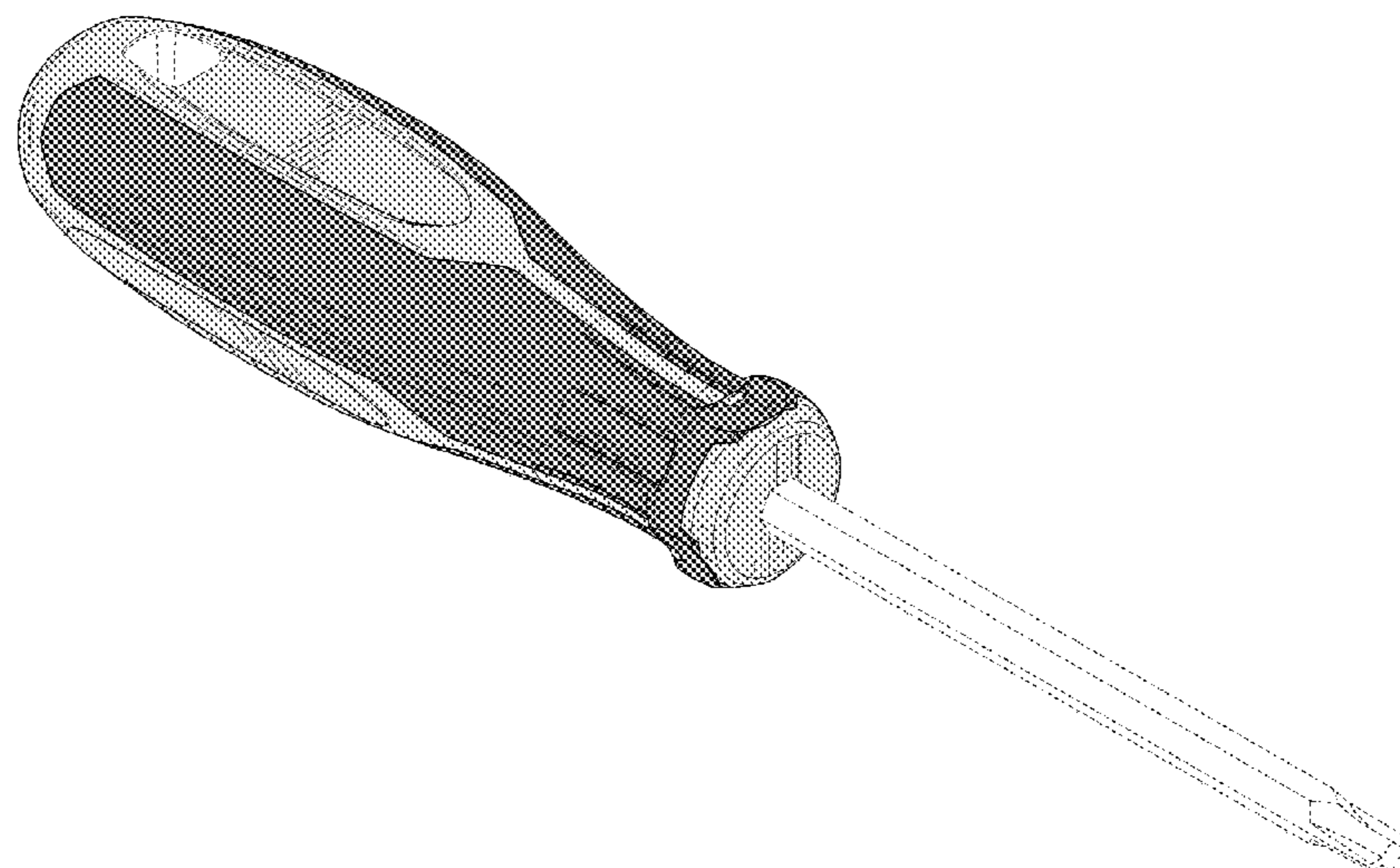
FIG. 5 is a second side view of the screwdriver of FIG. 1.

FIG. 6 is a third side view of the screwdriver of FIG. 1; and,

FIG. 7 is a fourth side view of the screwdriver of FIG. 1.

The broken lines depict portions of the screwdriver in which the design is embodied that are not considered part of the claimed design.

1 Claim, 4 Drawing Sheets



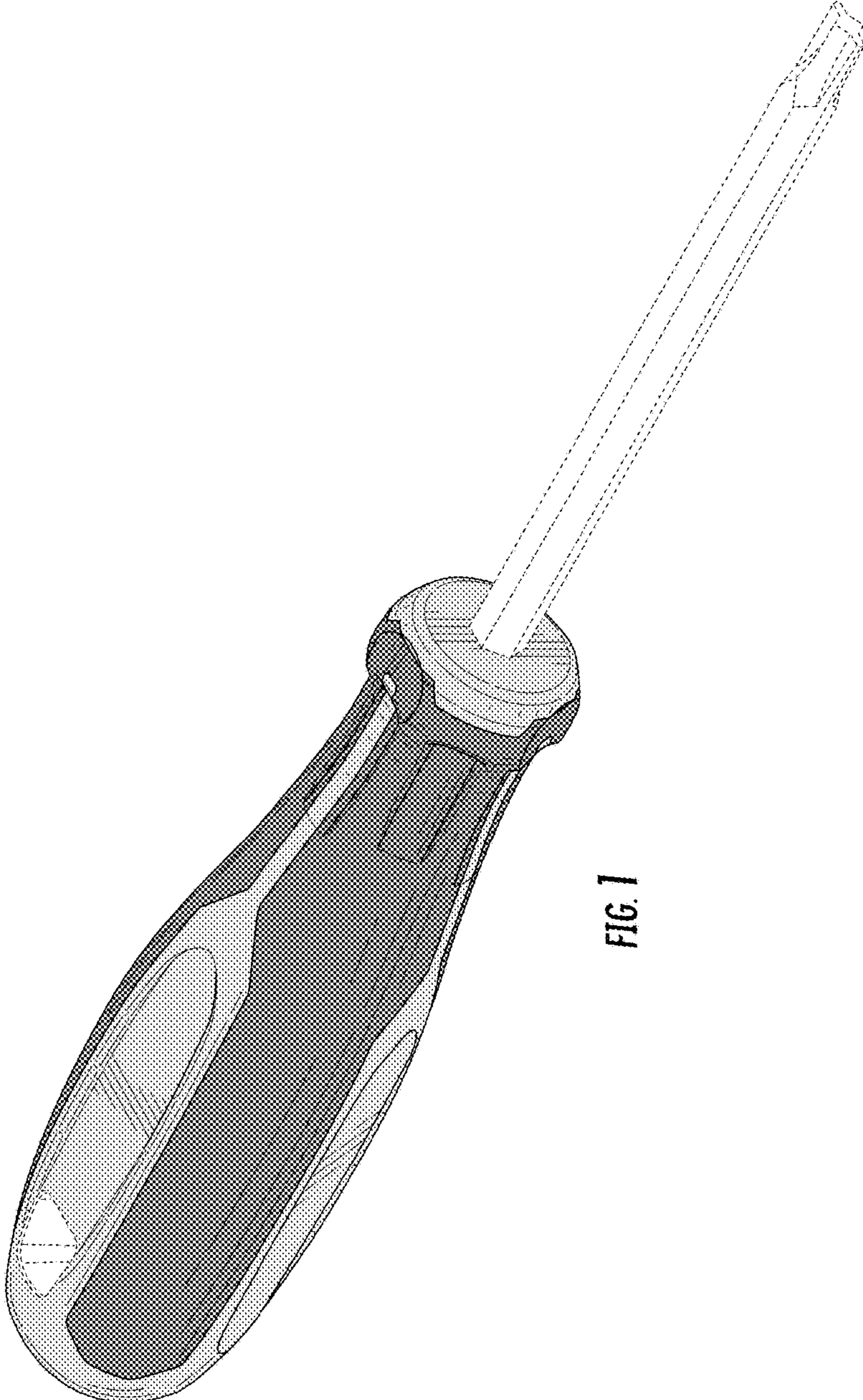


FIG. 1

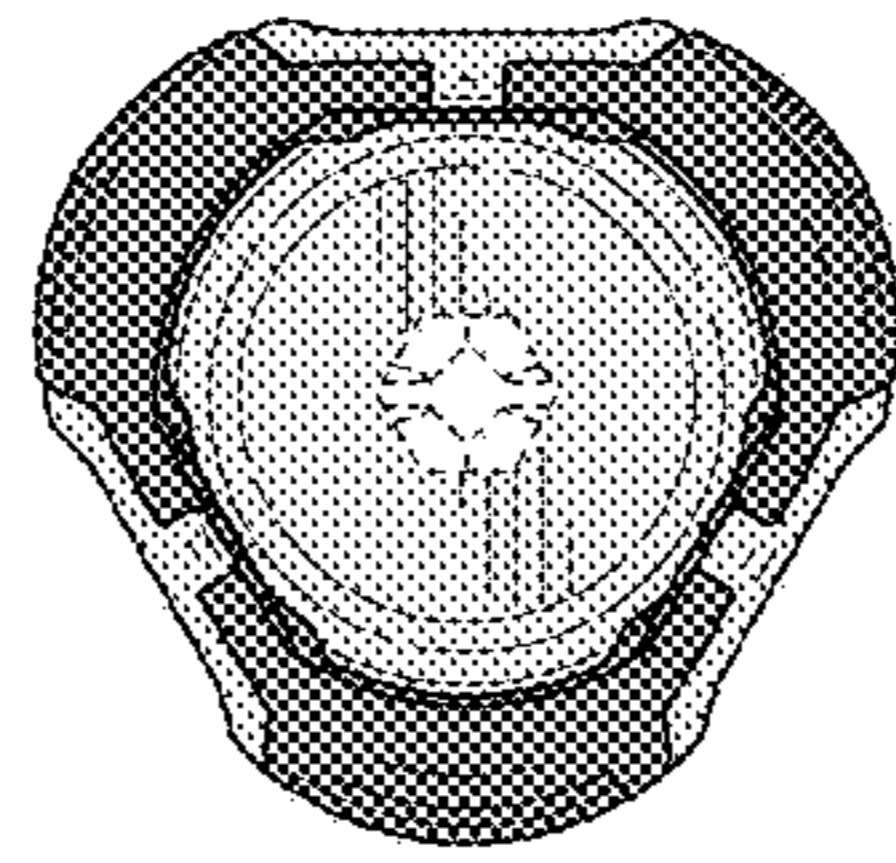


FIG. 2

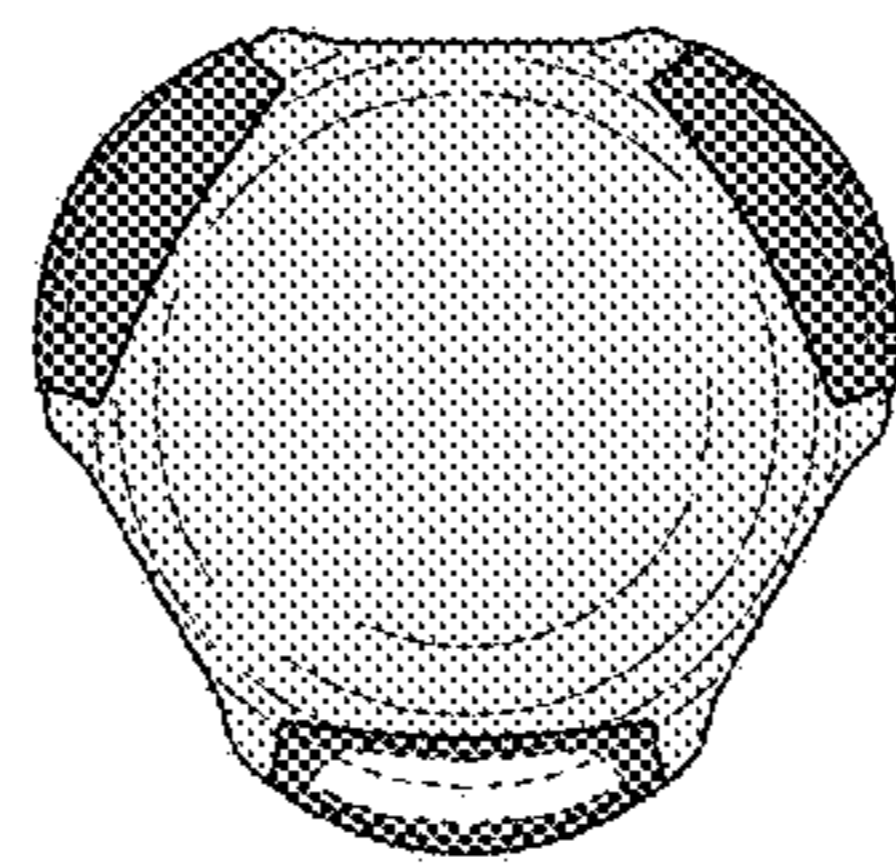


FIG. 3

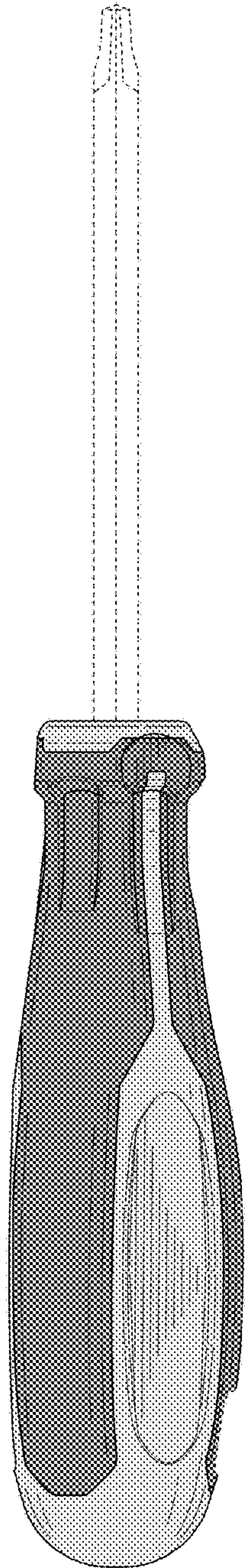


FIG. 4

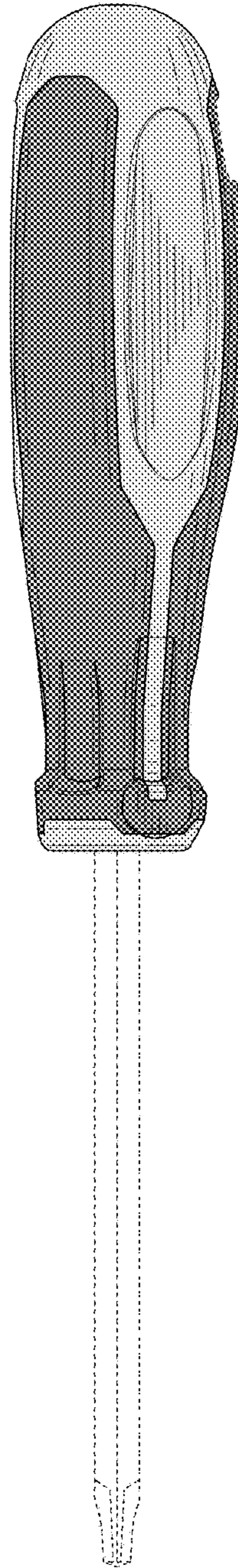


FIG. 5

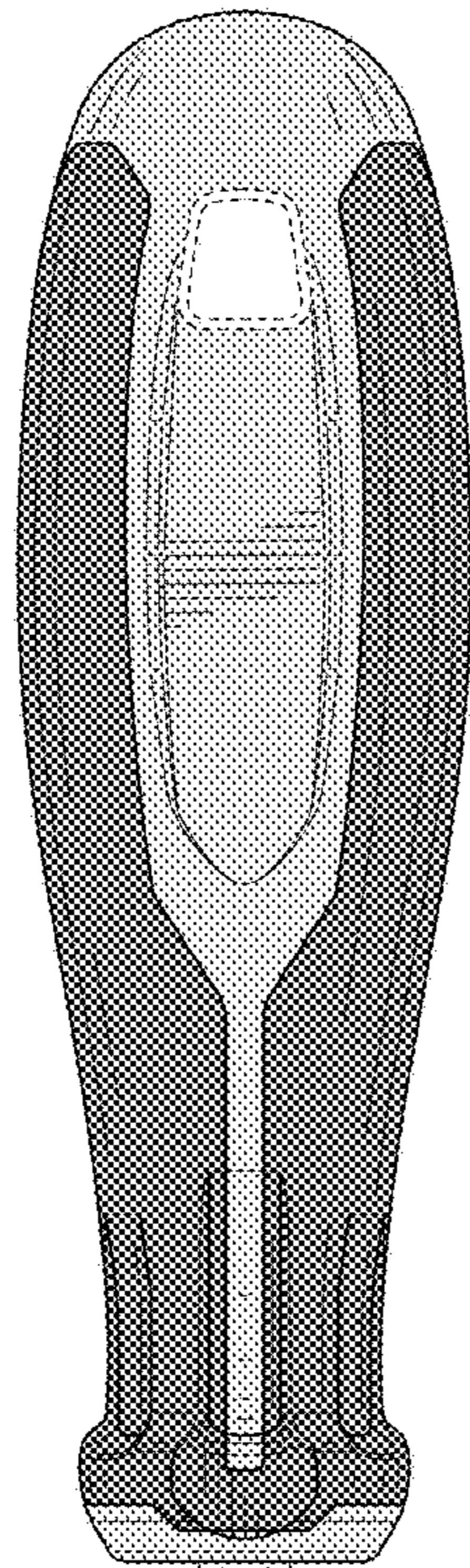


FIG. 6

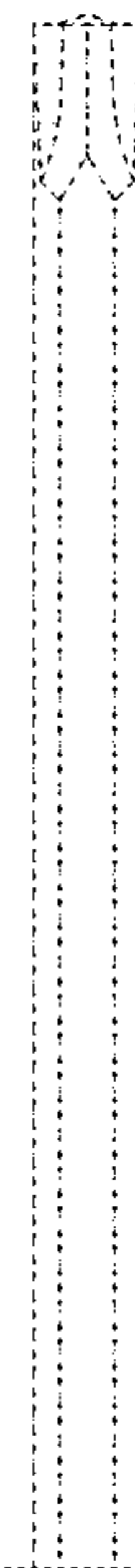


FIG. 7

