



US00D859117S

(12) **United States Design Patent** (10) **Patent No.:** **US D859,117 S**
Musser et al. (45) **Date of Patent:** **** Sep. 10, 2019**

(54) **LIGHT FOR HAND TOOLS**

(71) Applicant: **Midwest Tool and Cutlery Company,**
Sturgis, MI (US)

(72) Inventors: **Scott Musser,** Sturgis, MI (US); **Sachin Jadhav,** Maharashtra (IN); **Vinod Manne,** Maharashtra (IN)

(73) Assignee: **Midwest Tool and Cutlery Company,**
Sturgis, MI (US)

(**) Term: **15 Years**

(21) Appl. No.: **29/619,090**

(22) Filed: **Sep. 27, 2017**

(51) **LOC (12) Cl.** **08-05**

(52) **U.S. Cl.**
USPC **D8/70**

(58) **Field of Classification Search**
USPC D8/4, 5, 51-58, 70; D24/148
(Continued)

(56) **References Cited**

U.S. PATENT DOCUMENTS

- 5,313,376 A * 5/1994 McIntosh F21V 33/0084
362/119
- D457,412 S * 5/2002 Gardiner D8/105
(Continued)

Primary Examiner — Darlington Ly

(74) *Attorney, Agent, or Firm* — Frank H. Foster;
Kremblas & Foster

(57) **CLAIM**

The ornamental design for a light for hand tools, as shown and described.

DESCRIPTION

FIG. 1 is a top, front, and right side perspective view of a light for hand tool showing our new design in accordance to a first embodiment;

FIG. 2 is a top, front, and left side perspective view thereof;
FIG. 3 is a bottom, front, and left side perspective view thereof;

FIG. 4 is a bottom, front, and right side perspective view thereof;

FIG. 5 is a bottom, rear, and right side perspective view thereof;

FIG. 6 is a top and rear perspective view thereof;

FIG. 7 is an enlarged and partial top perspective view thereof;

FIG. 8 is a top plan view thereof;

FIG. 9 is a left side elevation view thereof;

FIG. 10 is a front elevation view thereof;

FIG. 11 is a right side elevation view thereof;

FIG. 12 is a bottom plan view thereof; and

FIG. 13 is a rear elevation view thereof.

FIG. 14 is a top, front, and left side perspective view of a light for hand tool showing our new design in accordance to a second embodiment;

FIG. 15 is a top, front, and right side perspective view thereof;

FIG. 16 is a bottom, front, and left side perspective view thereof;

FIG. 17 is a bottom, front, and right side perspective view thereof;

FIG. 18 is a top, rear, and right side perspective view thereof;

FIG. 19 is a bottom, rear, and left side perspective view thereof;

FIG. 20 is an enlarged and partial top perspective view thereof;

FIG. 21 is a top plan view thereof;

FIG. 22 is a left side elevation view thereof;

FIG. 23 is a front elevation view thereof;

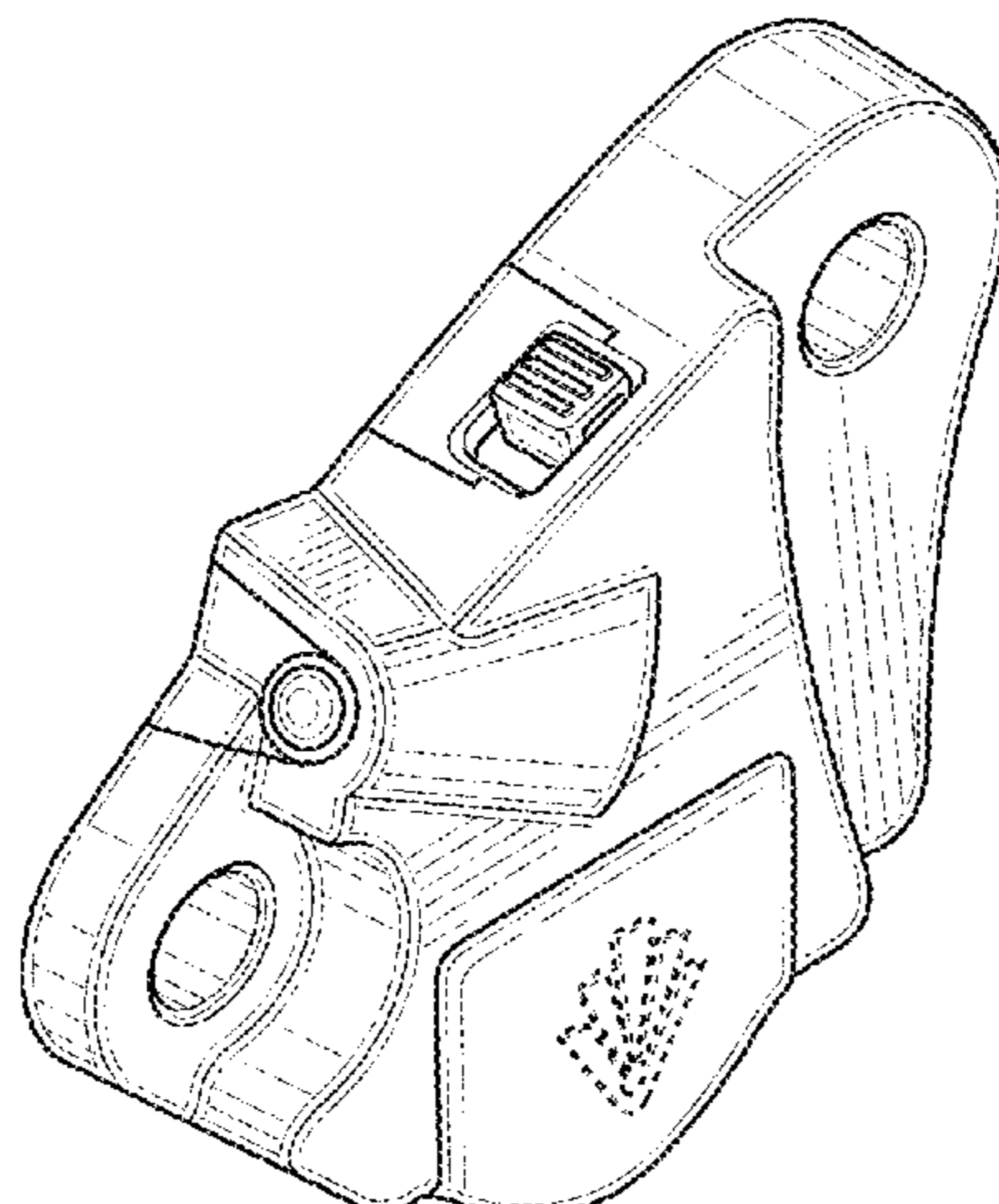
FIG. 24 is a right side elevation view thereof;

FIG. 25 is a bottom plan view thereof; and,

FIG. 26 is a rear elevation view thereof.

The broken lines in the drawings illustrate portions of the light for hand tools that form no part of the claimed design.

1 Claim, 6 Drawing Sheets



(58) **Field of Classification Search**

CPC B26B 13/10; B26B 13/20; B26B 13/12;
B26B 13/06; B26B 13/04; F21V 21/08

See application file for complete search history.

(56) **References Cited**

U.S. PATENT DOCUMENTS

D466,785 S * 12/2002 Gardiner D8/105
6,729,743 B2 * 5/2004 Gillette B25B 23/18
362/109
D695,583 S * 12/2013 Musser D8/52
D834,389 S * 11/2018 Fisher D8/57
2010/0053940 A1 * 3/2010 Yaksich B25F 5/021
362/119
2011/0131814 A1 * 6/2011 Musser A01G 3/02
30/260
2015/0023008 A1 * 1/2015 Milionis F21V 21/0832
362/183

* cited by examiner

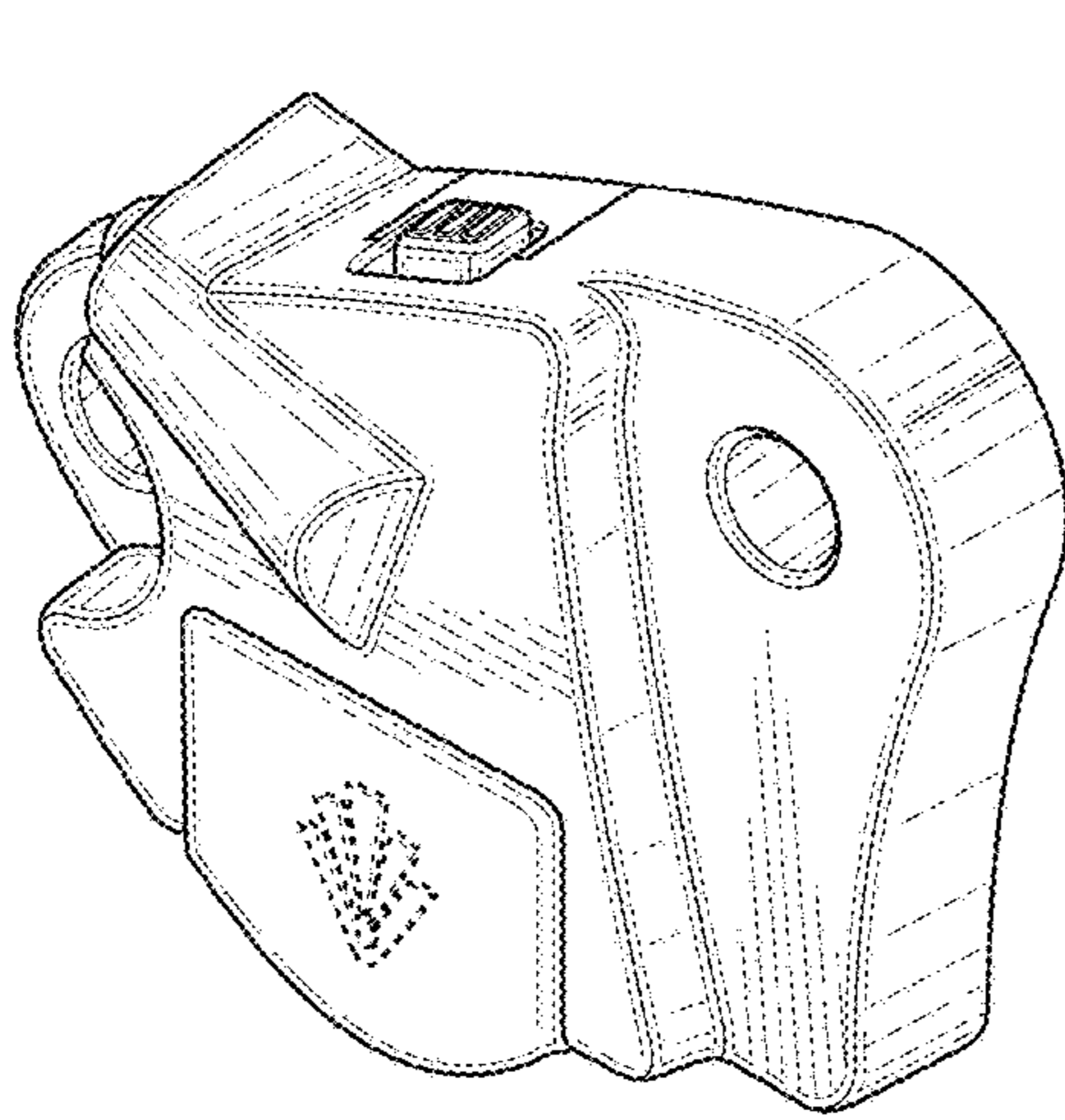


FIG. 1

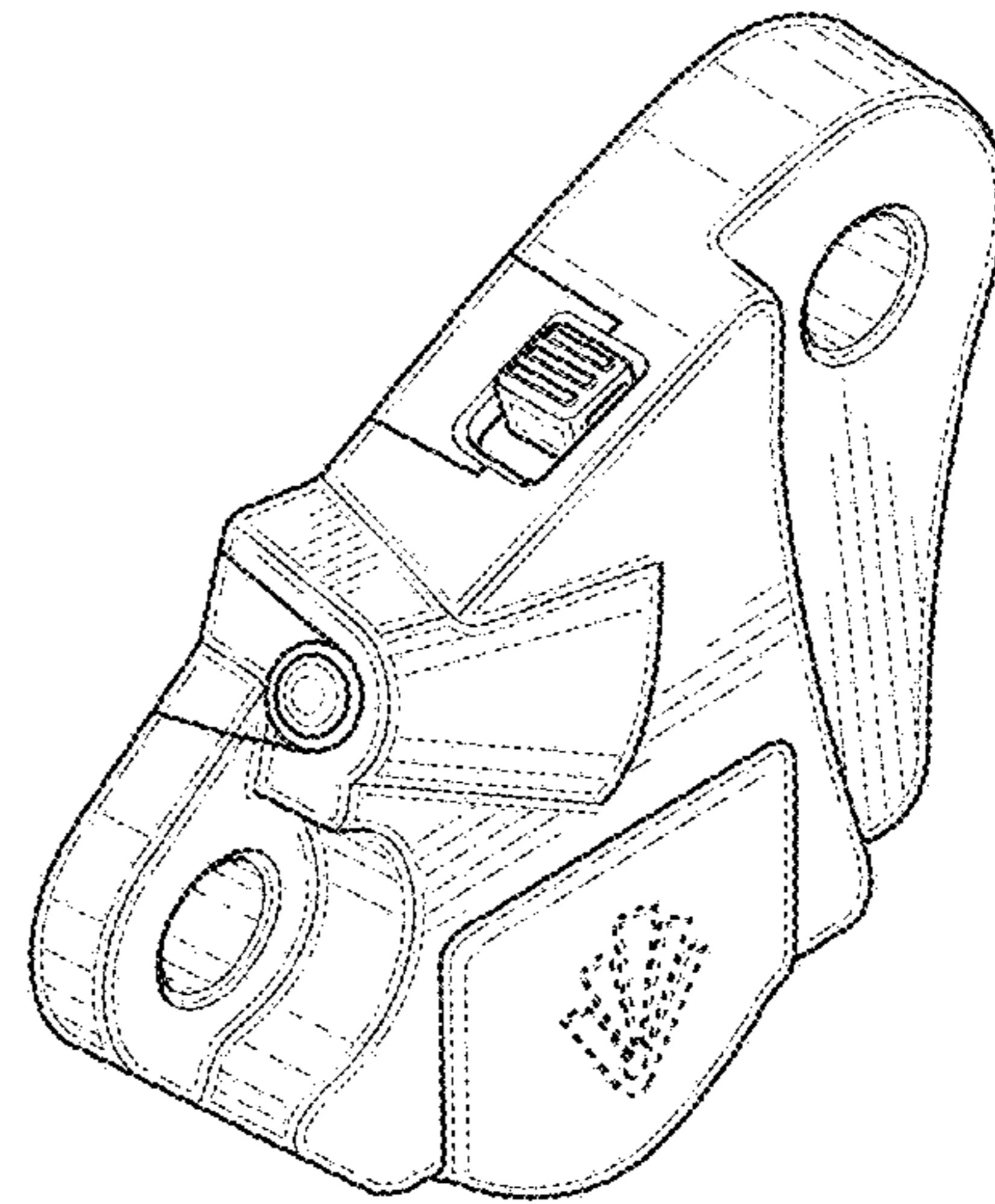


FIG. 2

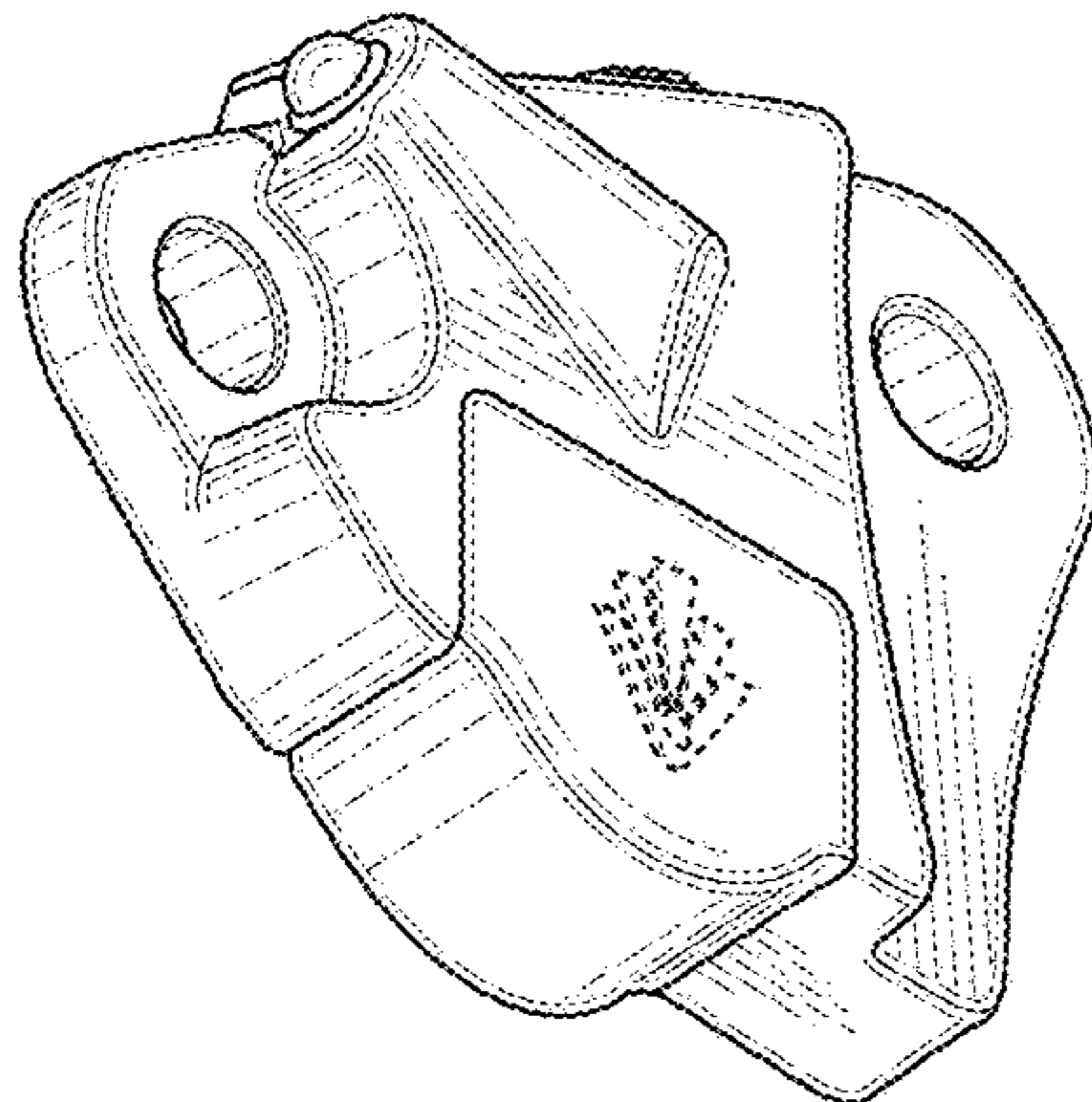


FIG. 3

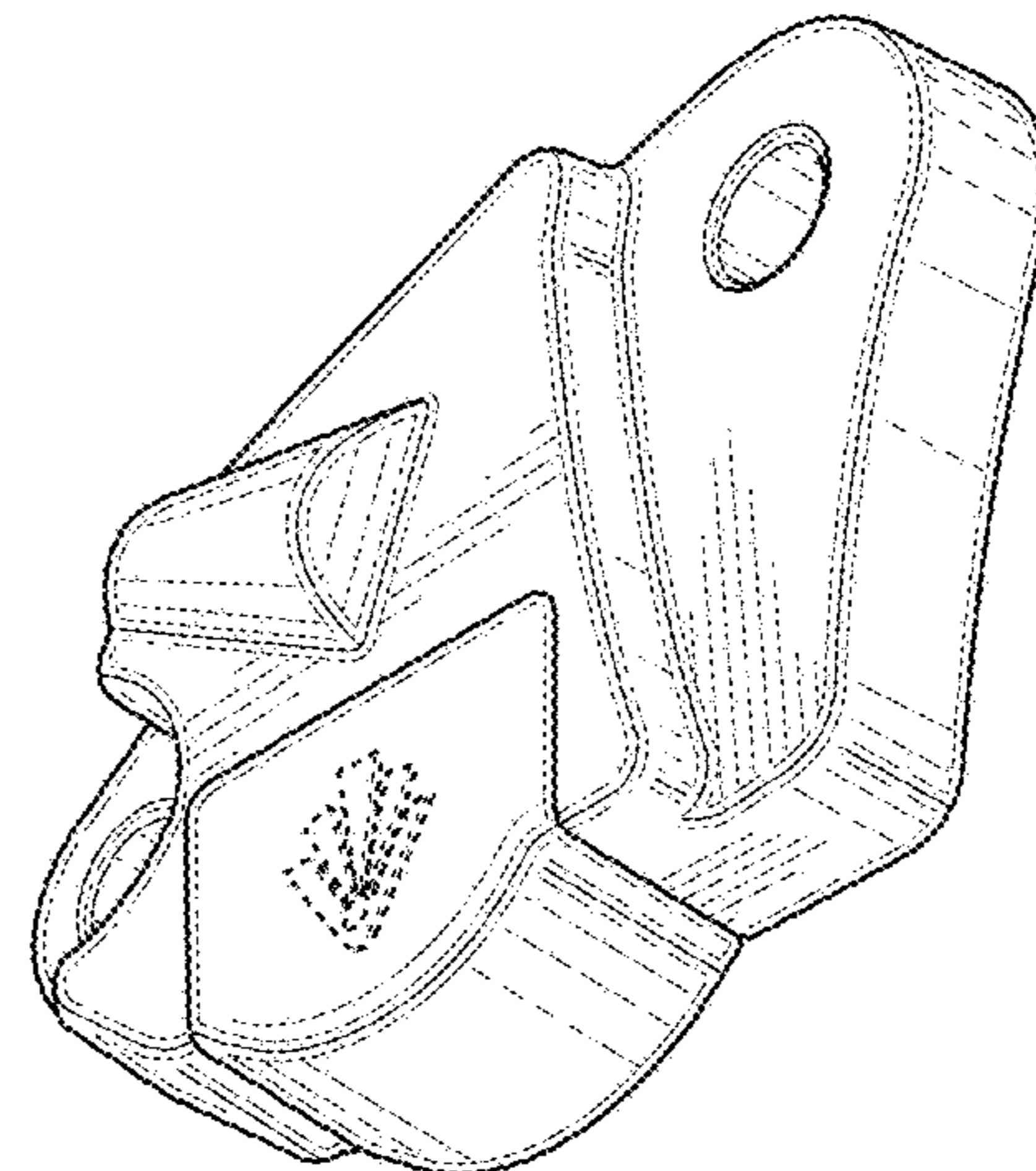


FIG. 4

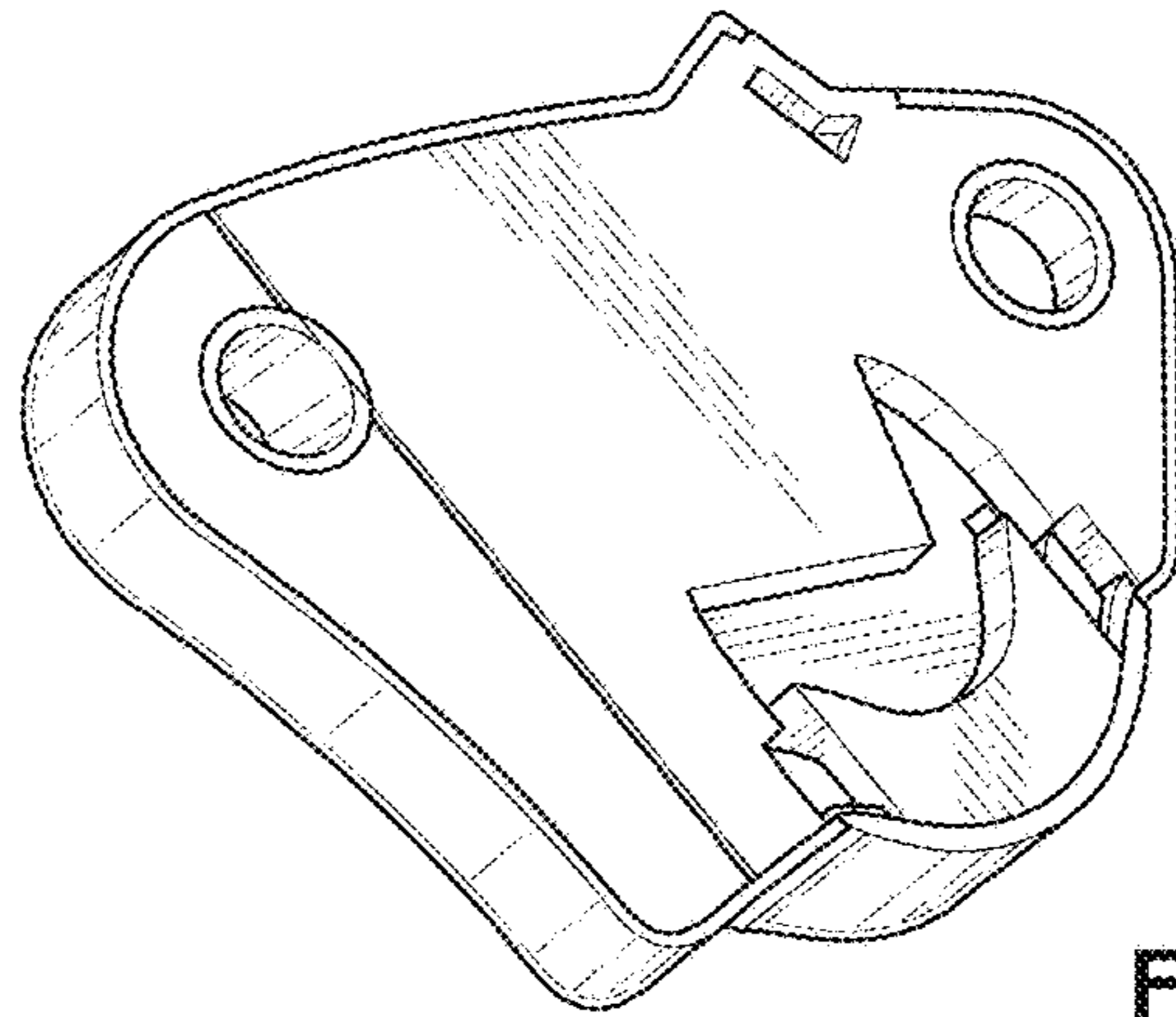


FIG. 5

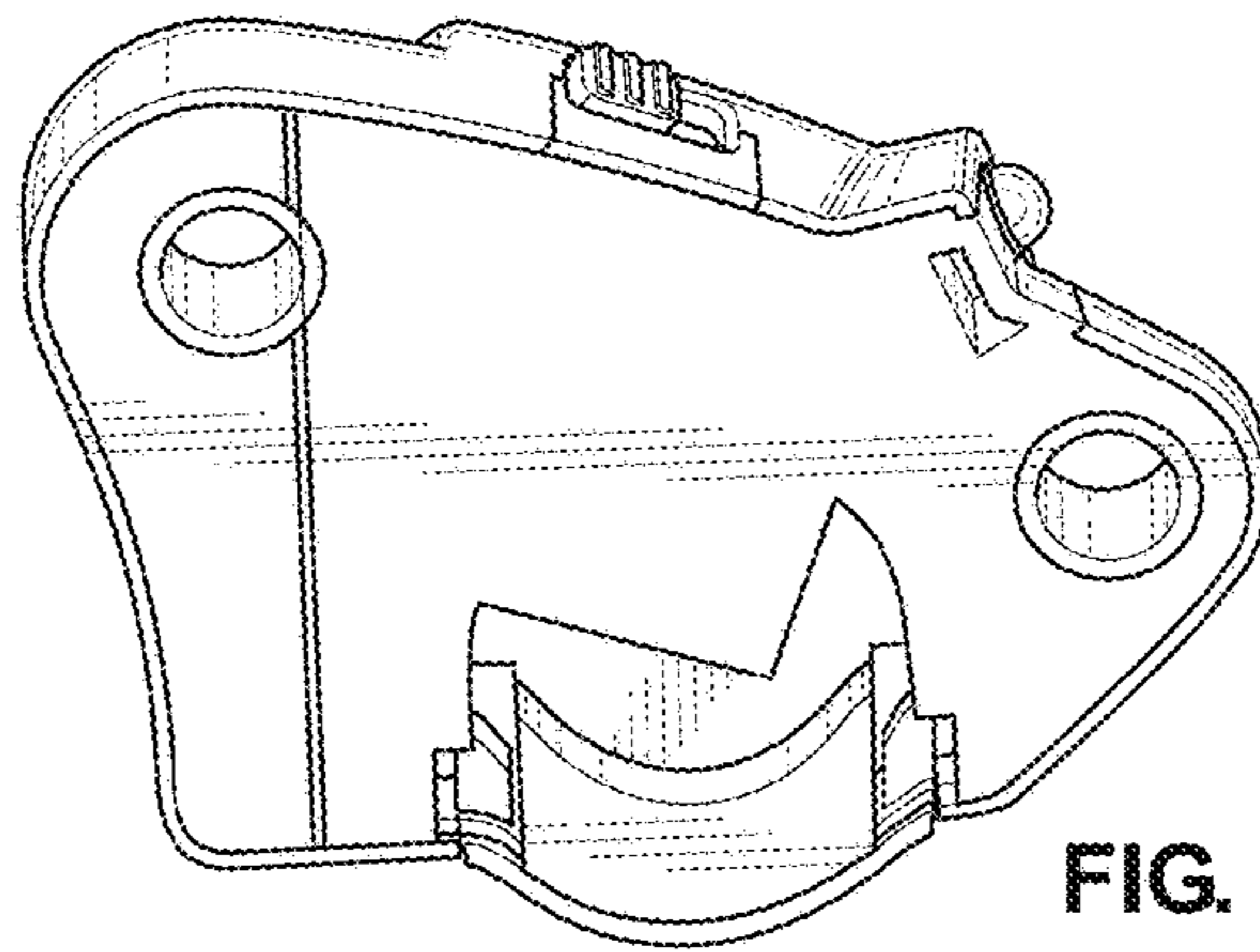


FIG. 6

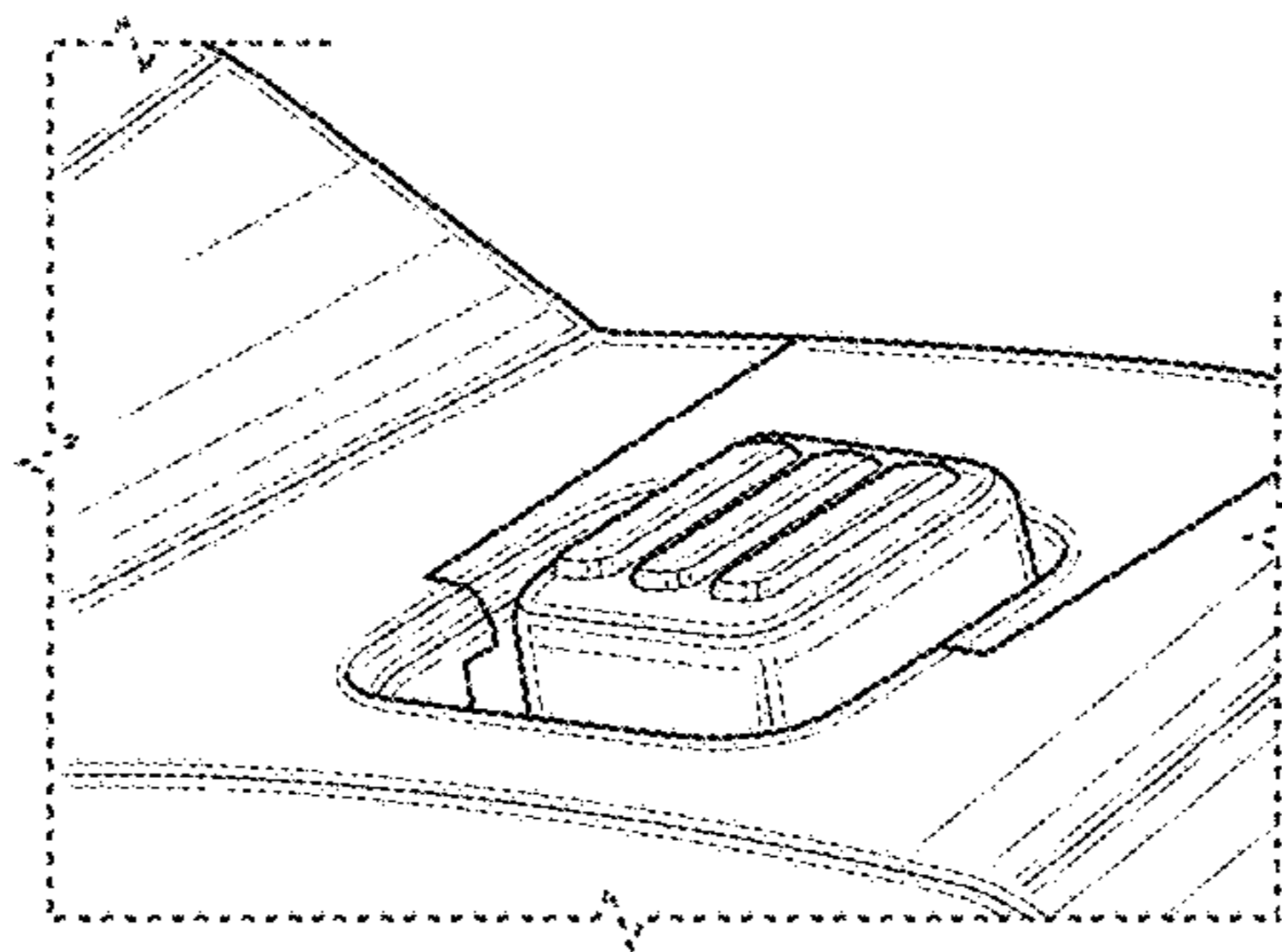


FIG. 7

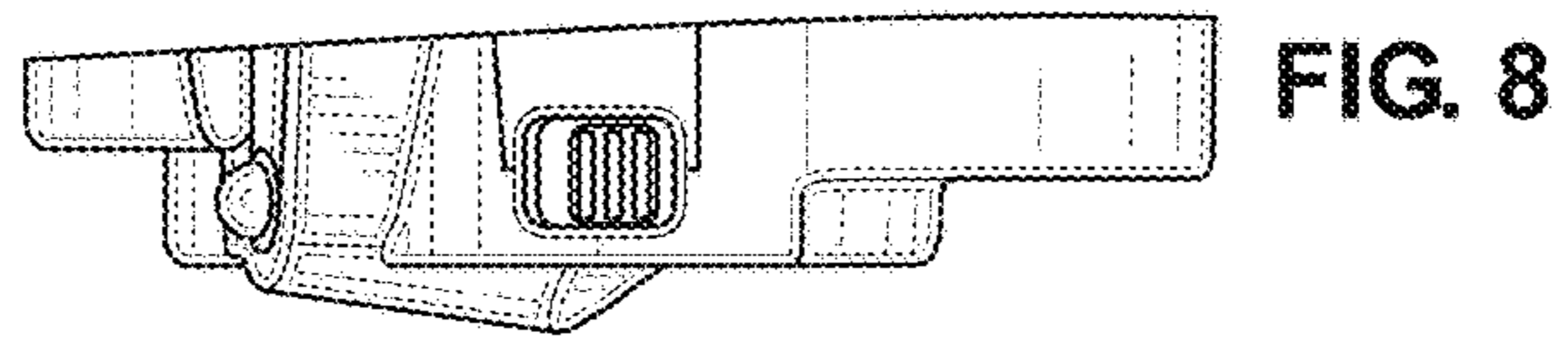


FIG. 8

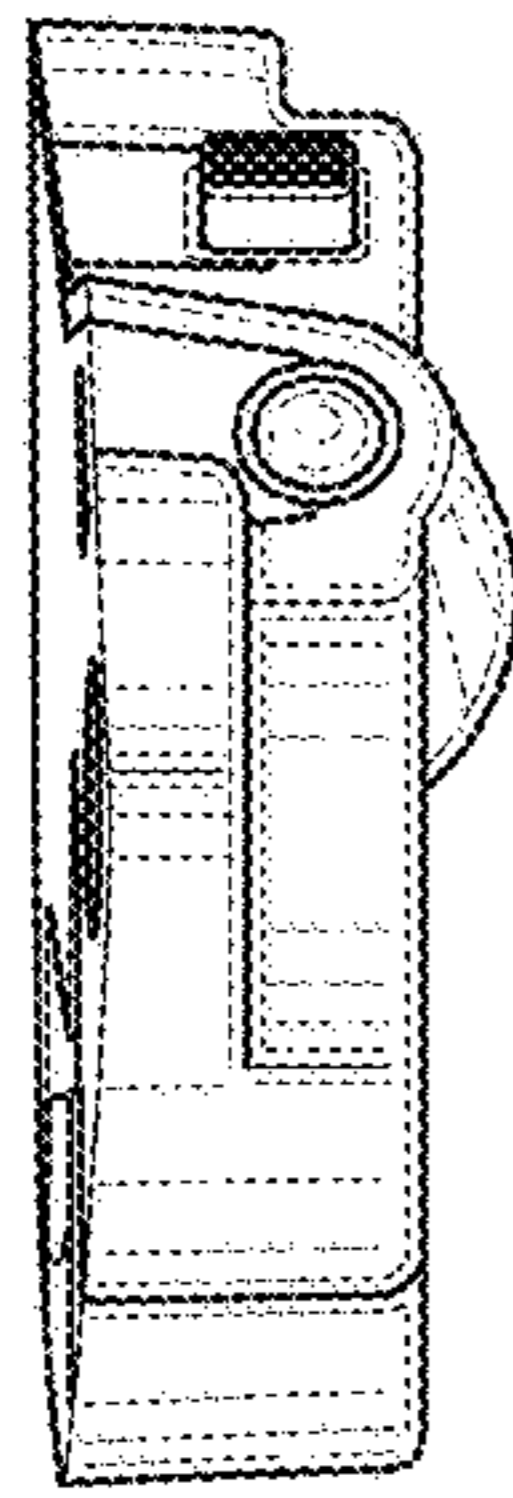


FIG. 9

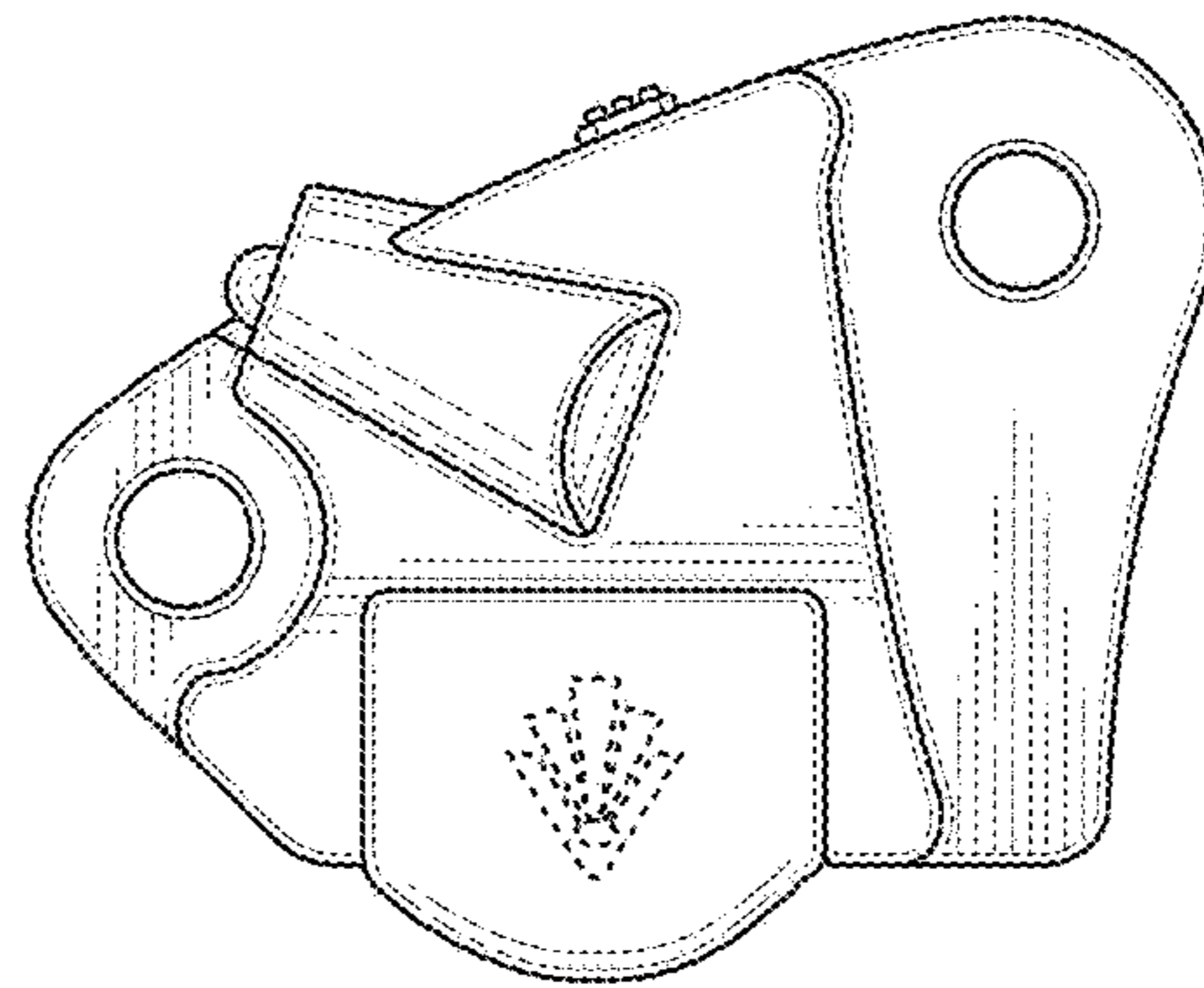


FIG. 10

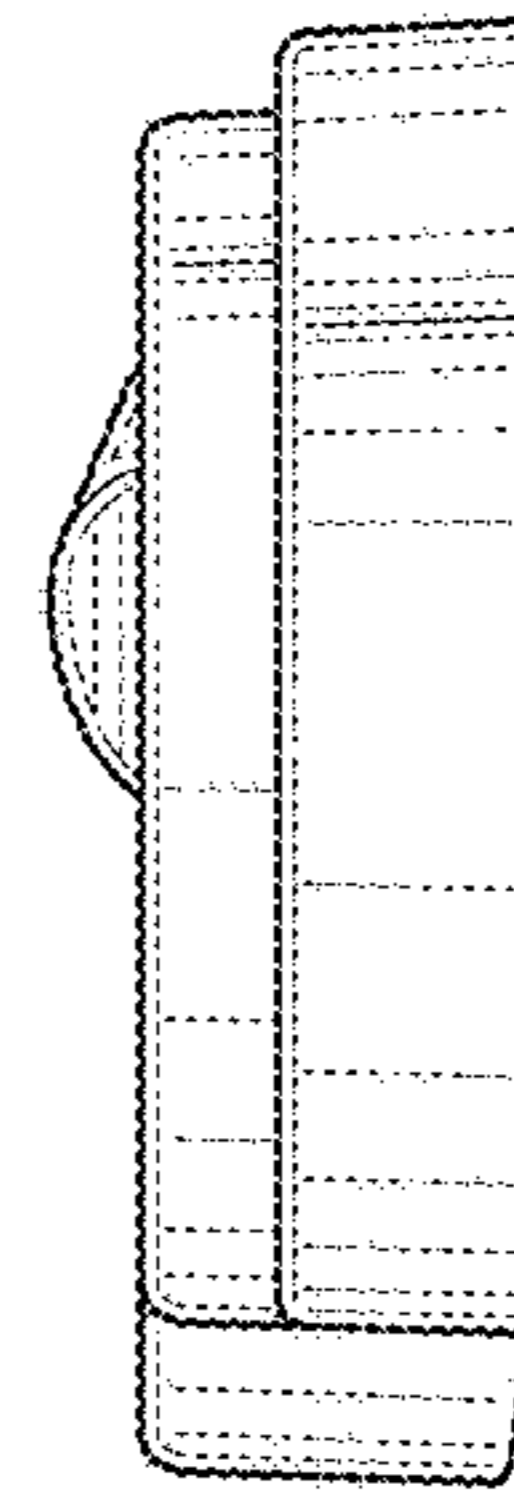


FIG. 11

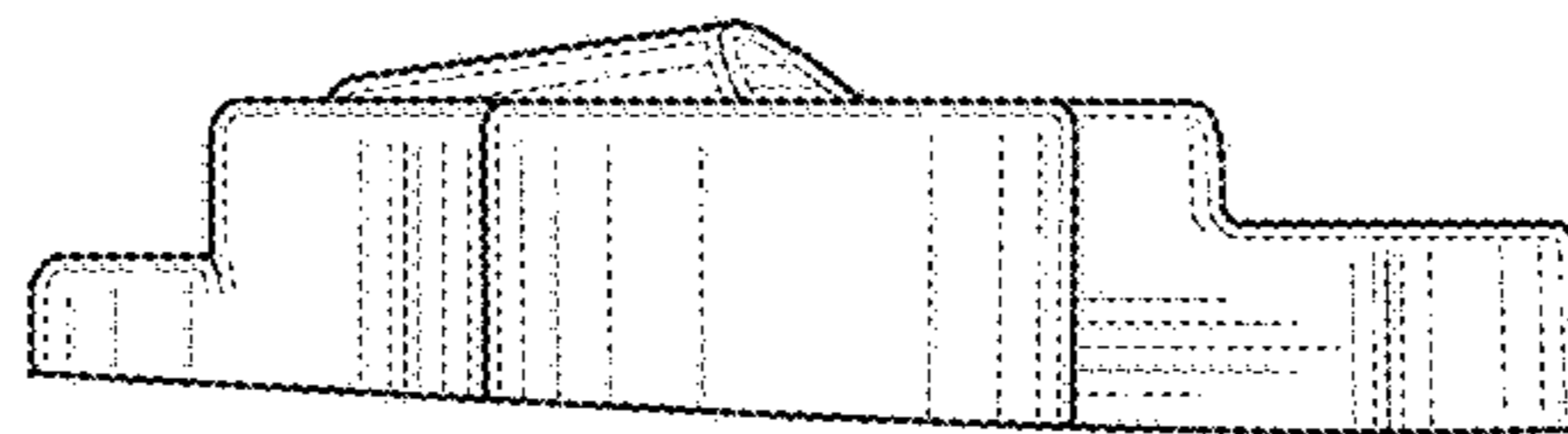


FIG. 12

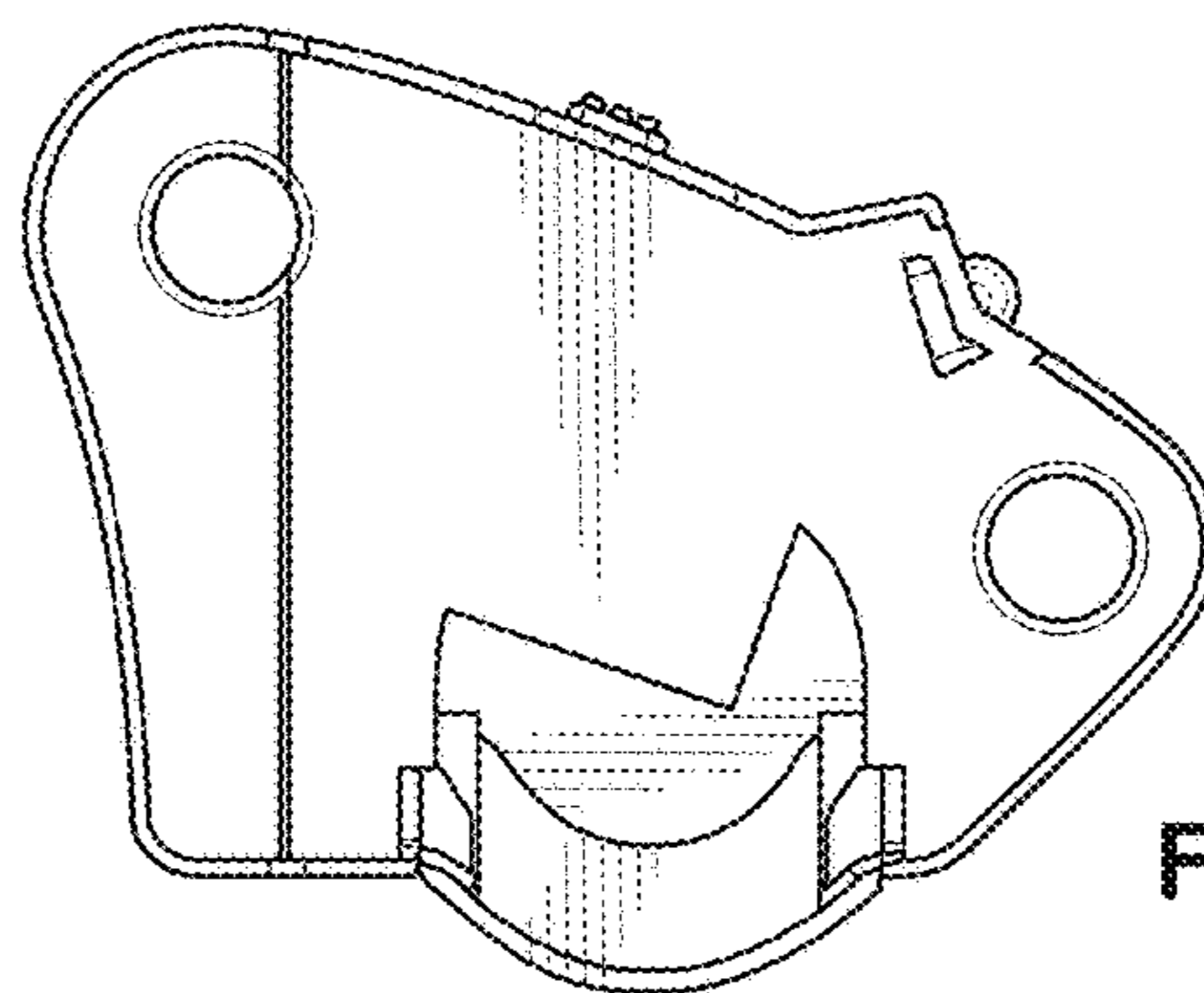


FIG. 13

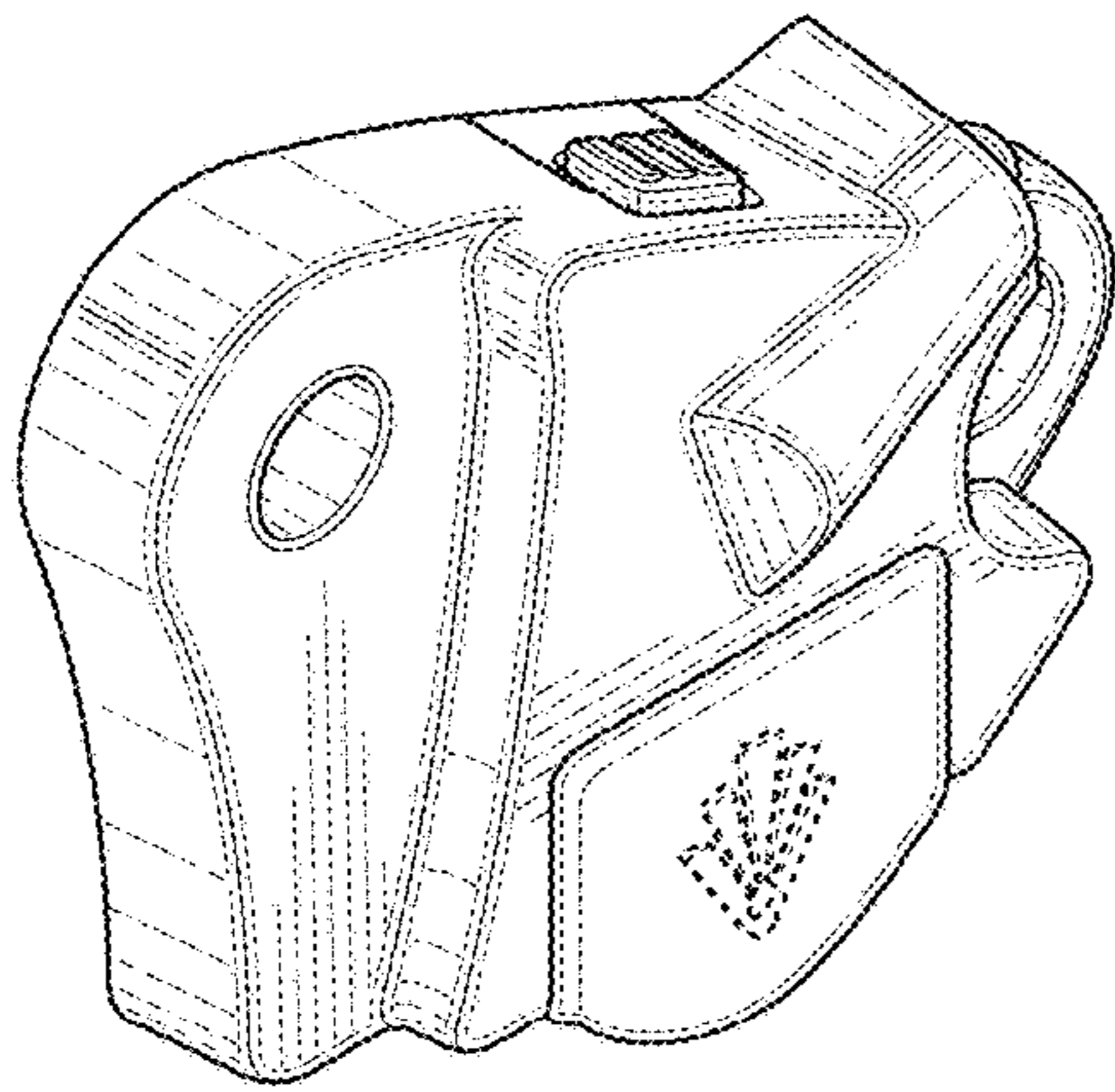


FIG. 14

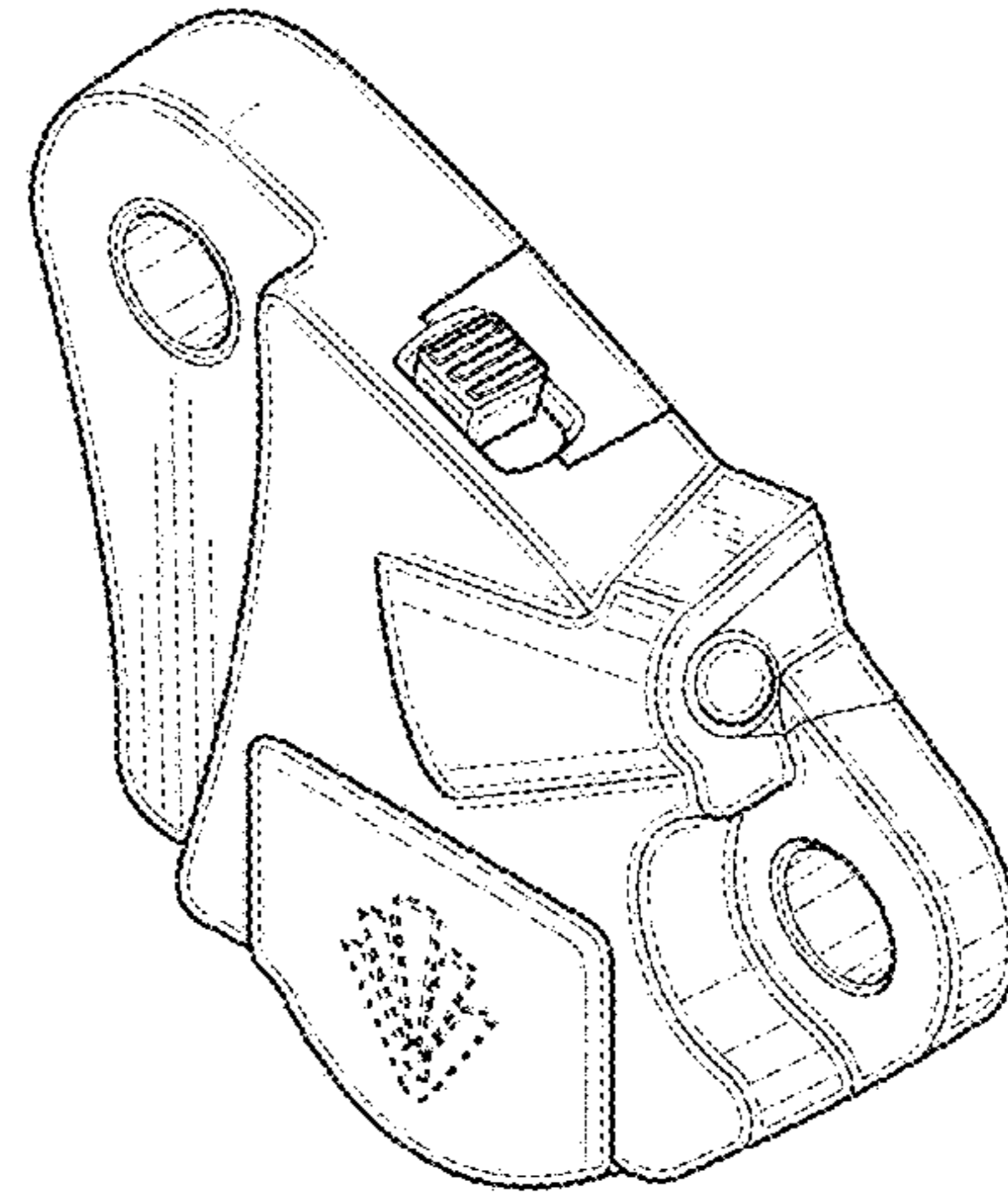


FIG. 15

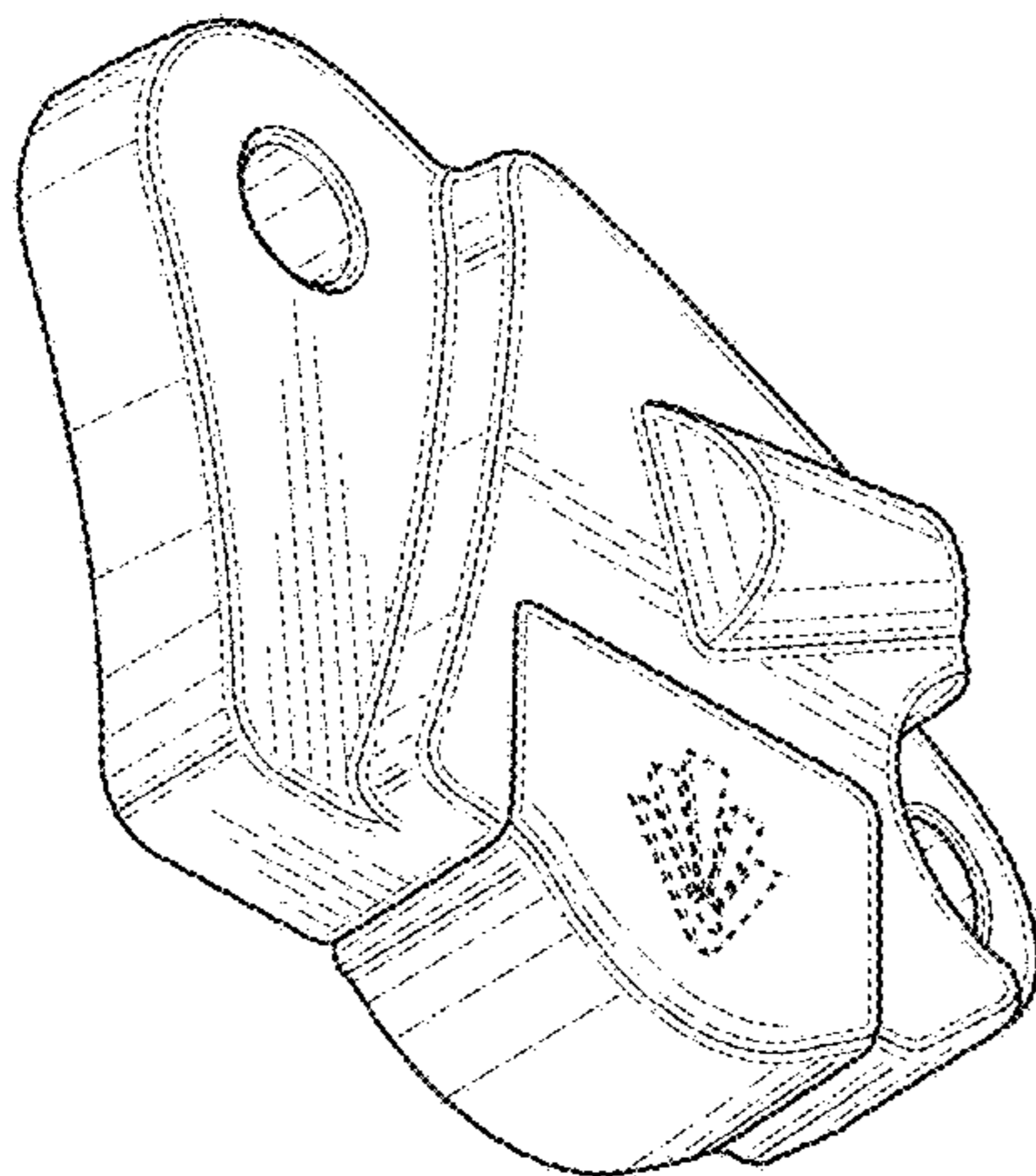


FIG. 16

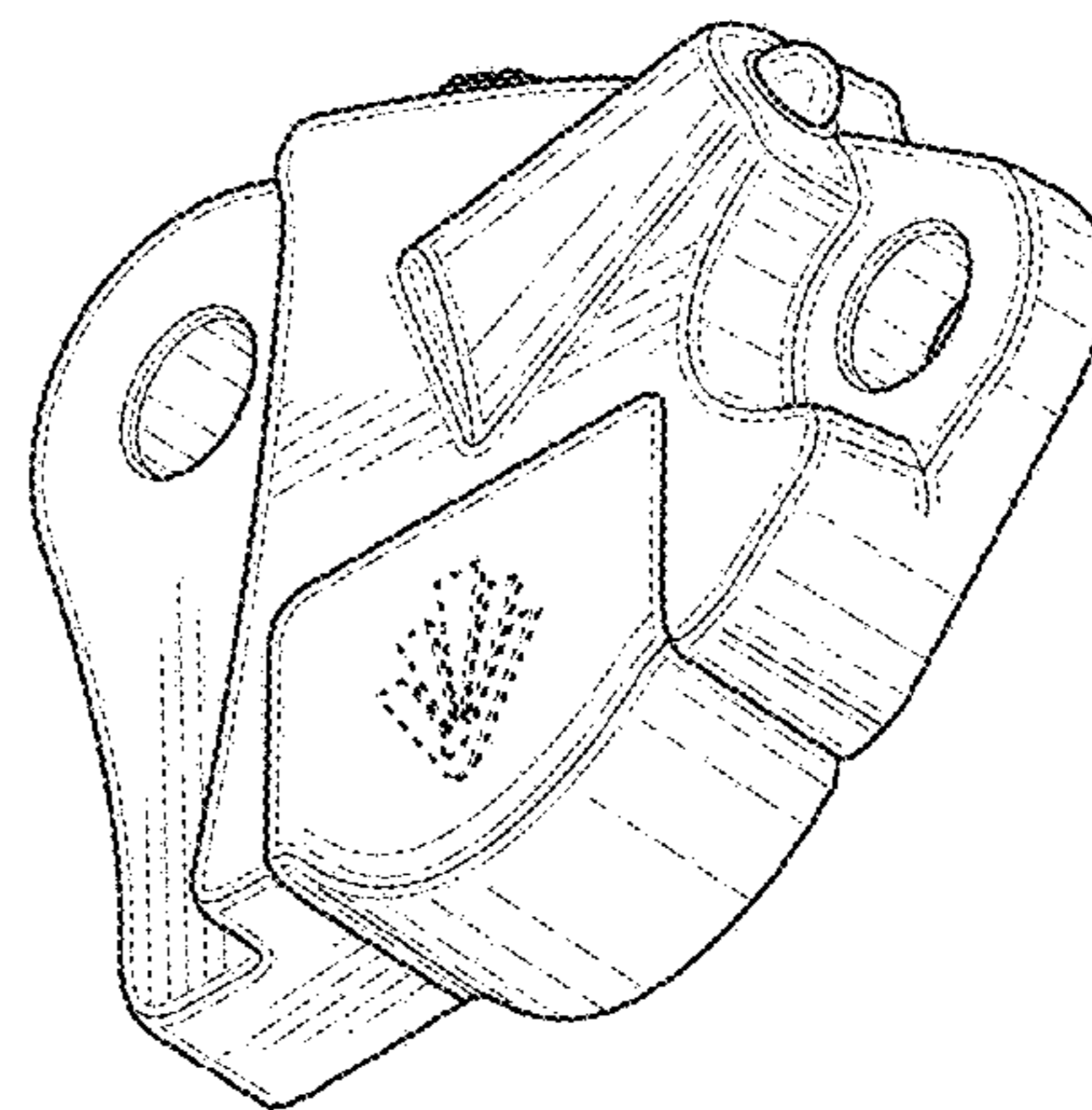


FIG. 17

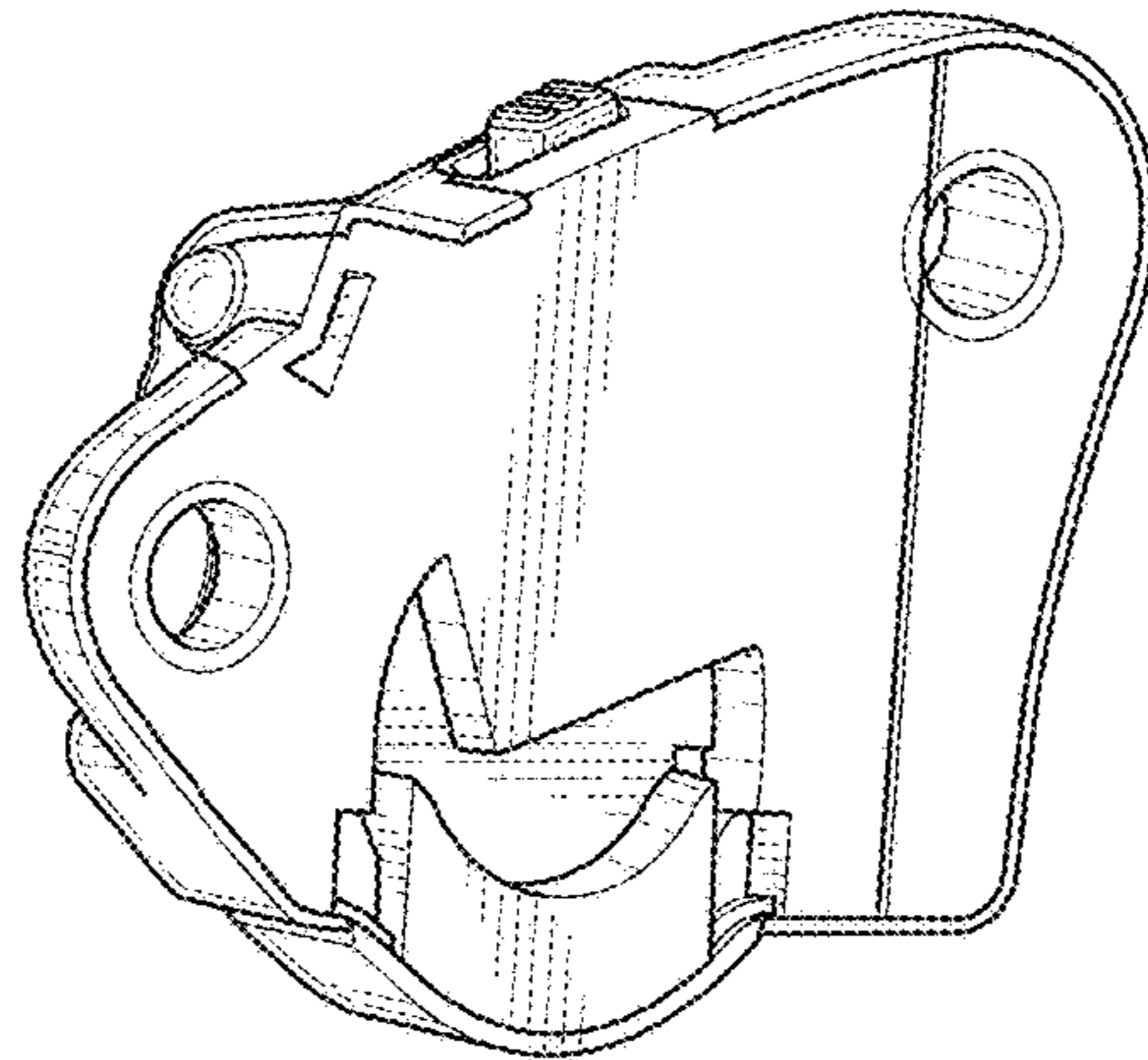


FIG. 18

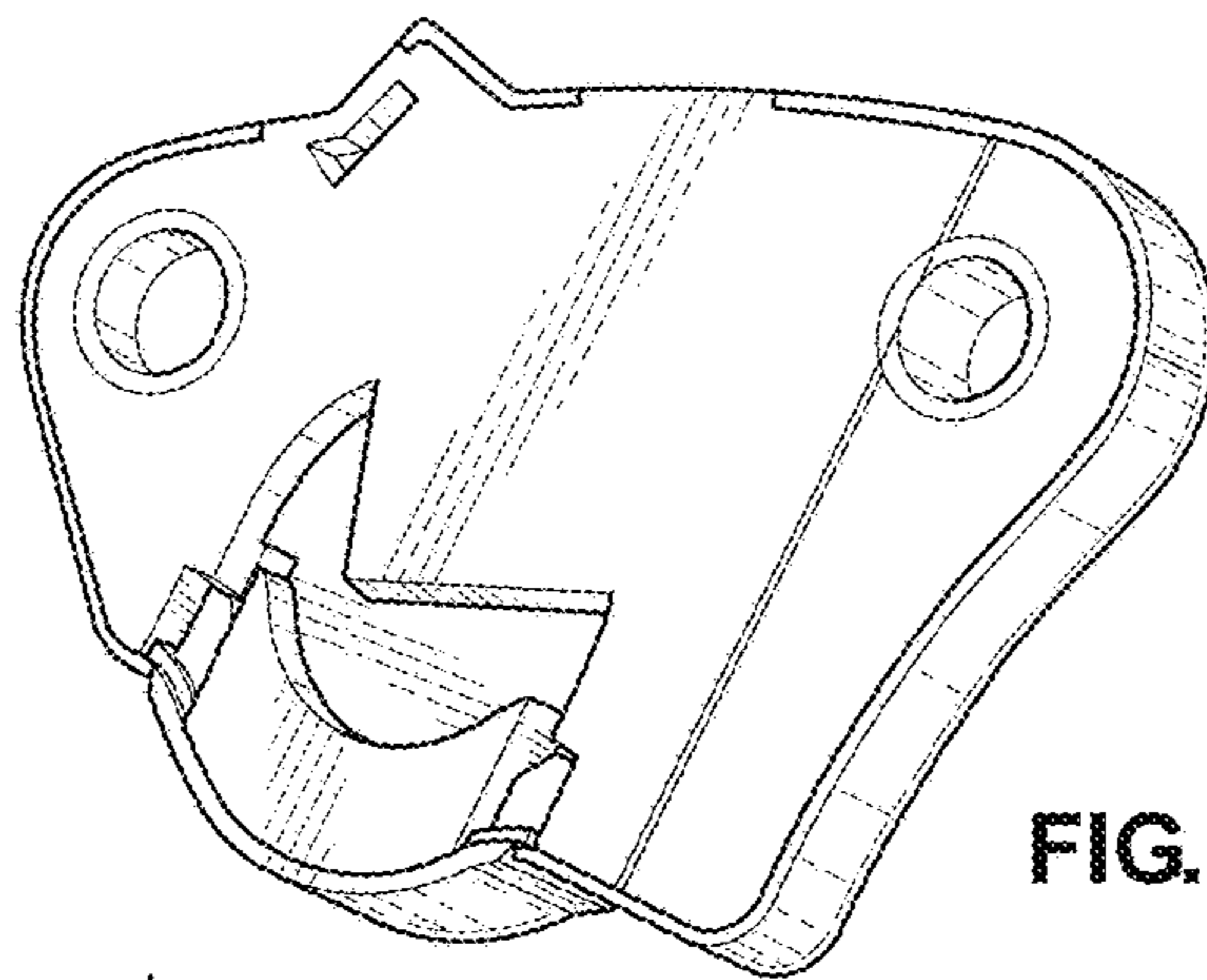


FIG. 19

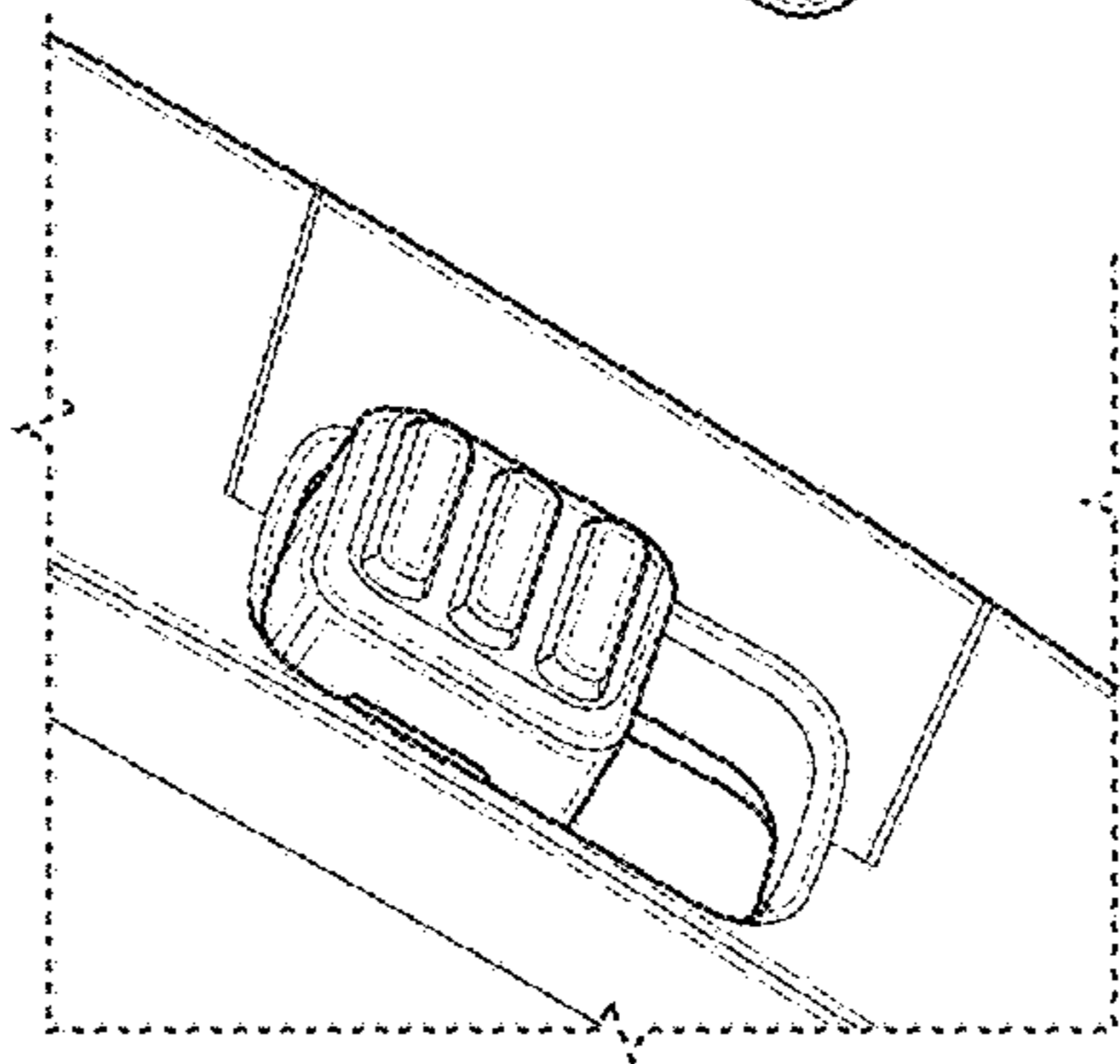


FIG. 20

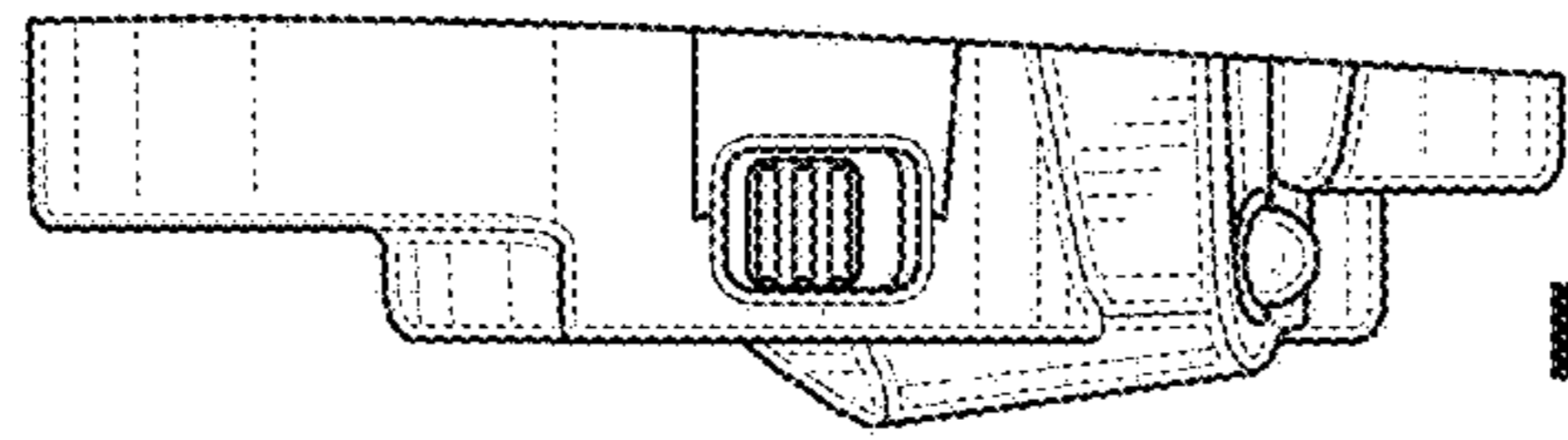


FIG. 21

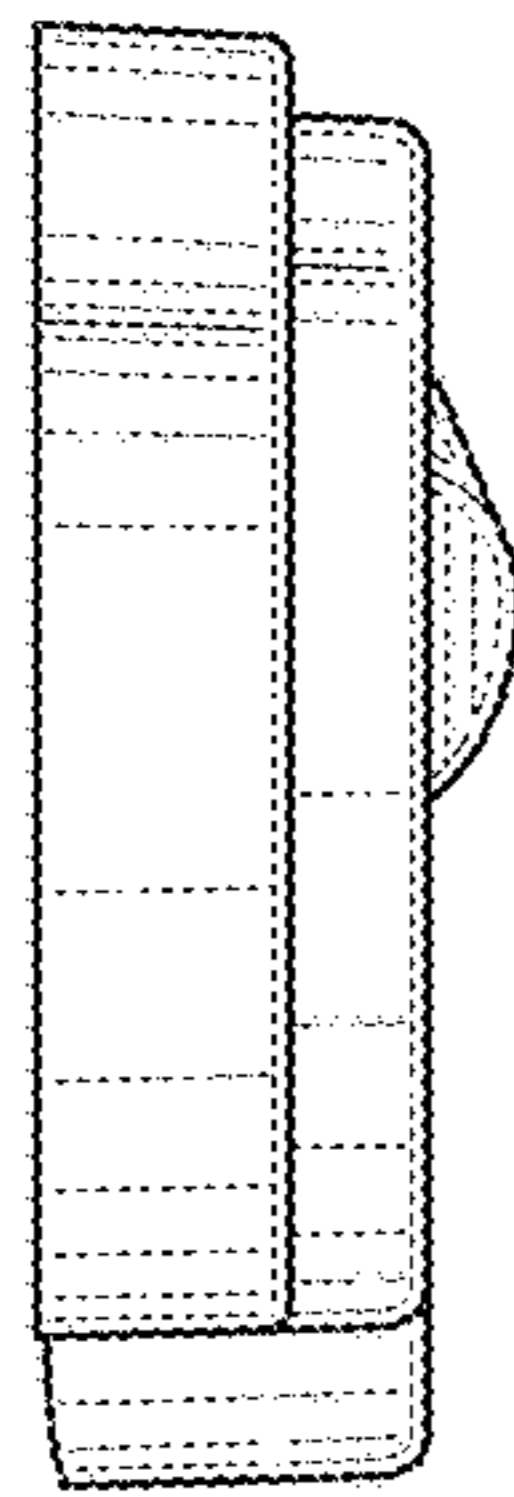


FIG. 22

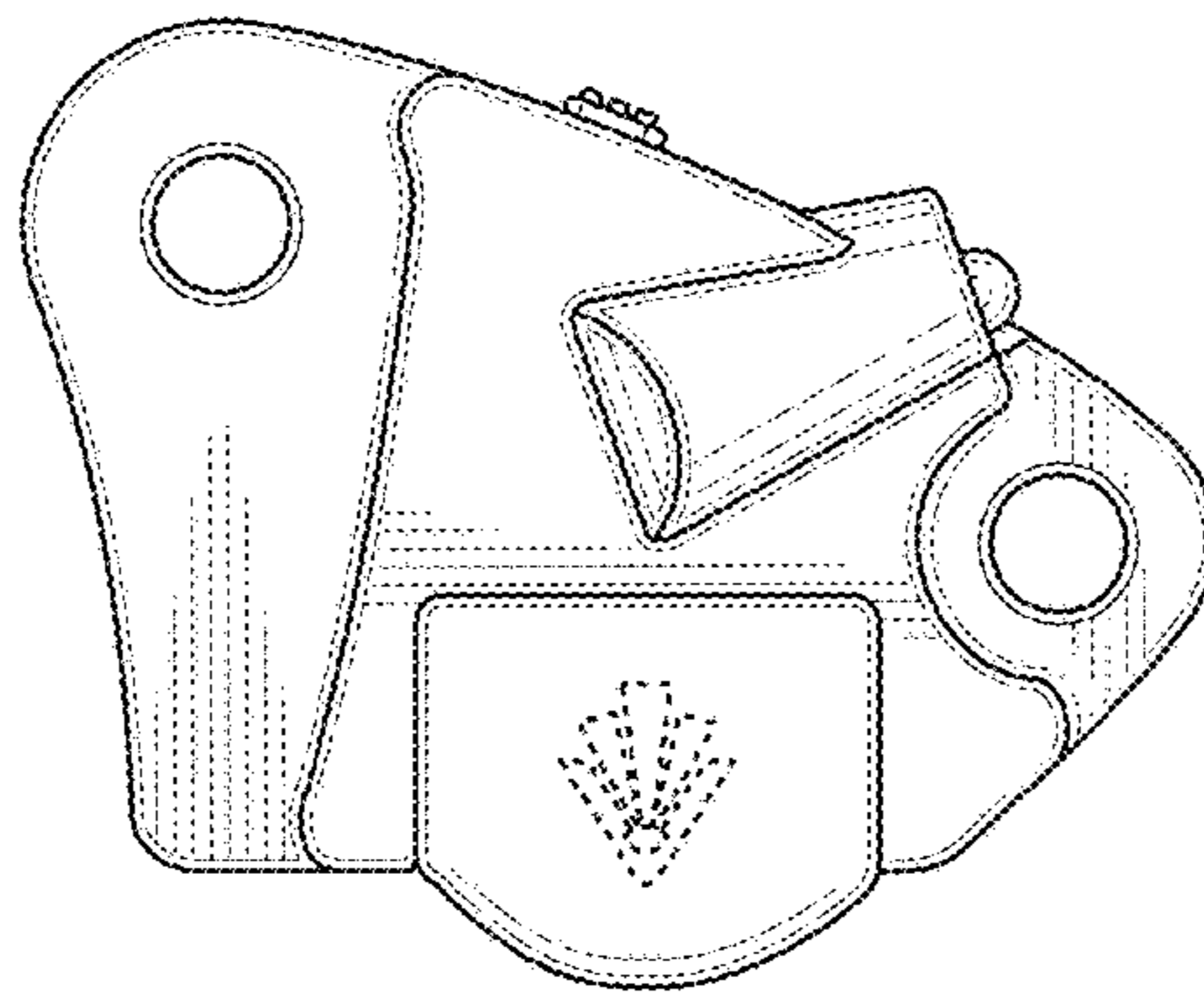


FIG. 23

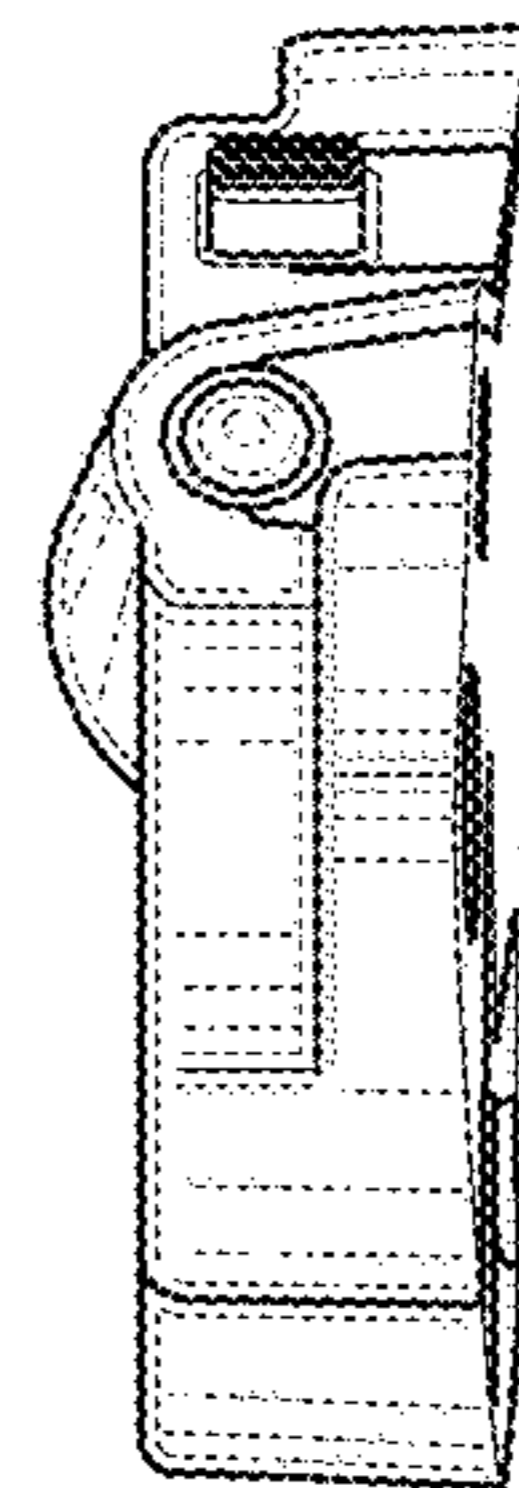


FIG. 24

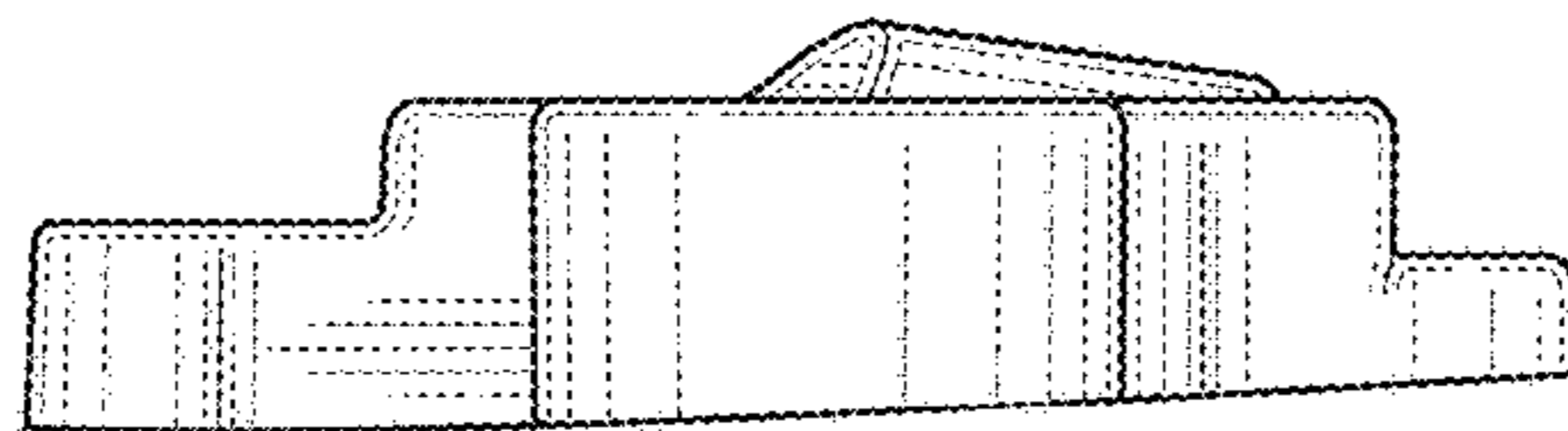


FIG. 25

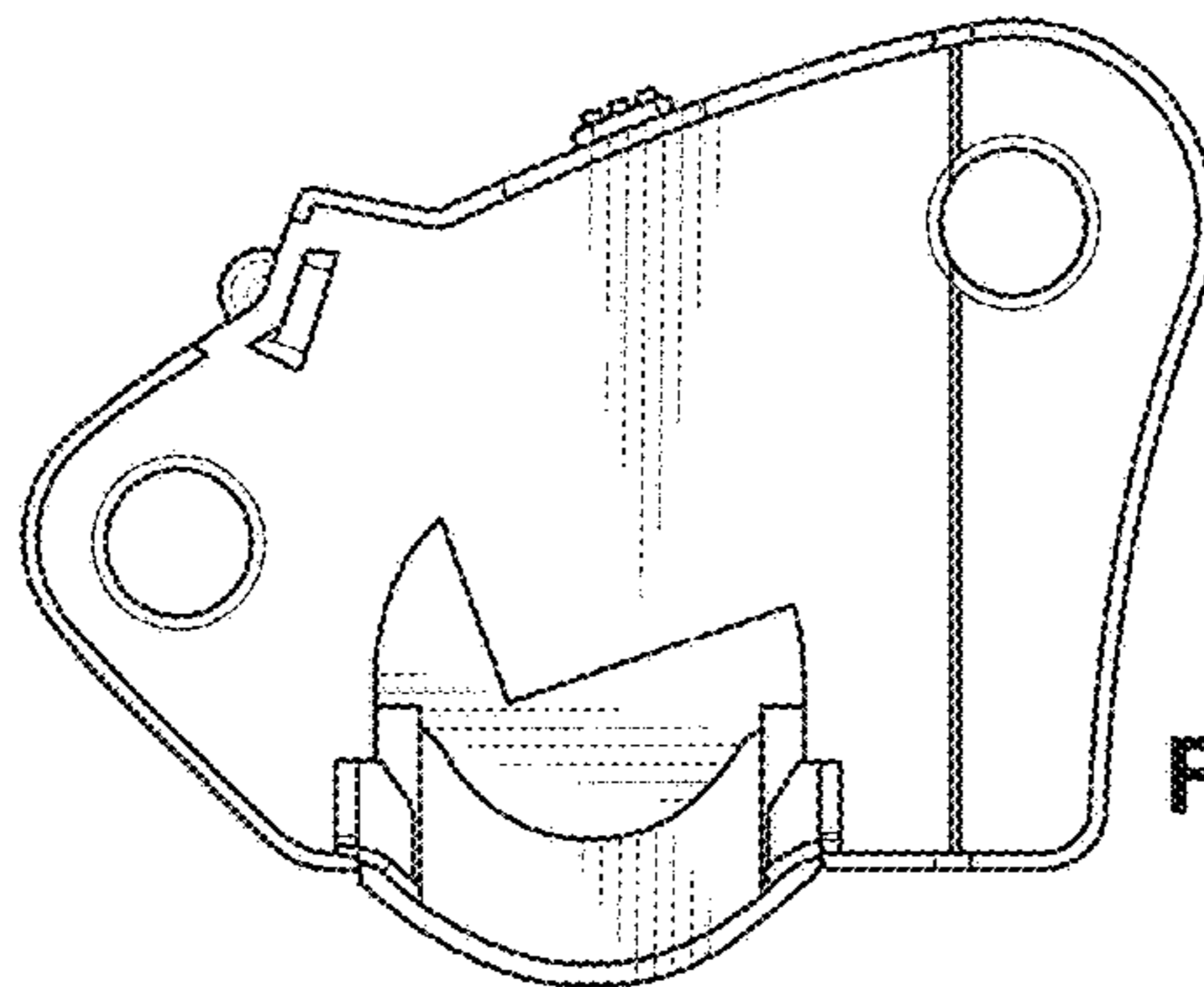


FIG. 26