



US00D859116S

(12) **United States Design Patent** (10) **Patent No.:** **US D859,116 S**  
**Chen et al.** (45) **Date of Patent:** **\*\* Sep. 10, 2019**

- (54) **NAILGUN RECOIL BUMPER**
- (71) Applicants: **Helen Y. Chen**, Aurora, IL (US); **Kevin J. Stanger**, Belvidere, IL (US)
- (72) Inventors: **Helen Y. Chen**, Aurora, IL (US); **Kevin J. Stanger**, Belvidere, IL (US)
- (73) Assignee: **MINER ELASTOMER PRODUCTS CORP.**, Geneva, IL (US)
- (\*\*) Term: **15 Years**
- (21) Appl. No.: **29/608,277**
- (22) Filed: **Jun. 20, 2017**
- (51) **LOC (12) Cl.** ..... **08-05**
- (52) **U.S. Cl.**  
USPC ..... **D8/70**
- (58) **Field of Classification Search**  
USPC ..... D8/70, 71, 85, 86, 349, 359, 382, 387, D8/394, 397; D15/138, 139; D22/134, D22/137, 138, 140, 141; D3/24, 25  
CPC ..... B25B 15/00; B25B 23/0035; B25B 23/12; B25B 23/0028; B25B 23/00; B25B 23/10; B25B 23/08; B25F 1/003; B25G 1/066  
See application file for complete search history.

- D428,106 S \* 7/2000 Yamaguchi ..... D22/137
- 6,154,108 A \* 11/2000 Huang ..... B25B 23/12  
335/284
- 6,289,541 B1 \* 9/2001 Anderson ..... B25B 15/00  
7/128
- D457,046 S \* 5/2002 Boyle ..... D8/70
- D457,797 S \* 5/2002 Huang ..... D8/70
- D497,300 S \* 10/2004 Chen ..... D8/70
- 6,877,402 B1 \* 4/2005 Pigford ..... B25B 13/065  
81/121.1
- D655,369 S \* 3/2012 Hafner ..... D22/137
- 8,176,817 B2 \* 5/2012 Liu ..... B25B 23/0028  
81/177.75
- 8,366,356 B2 \* 2/2013 Novak ..... B23B 51/0473  
408/204
- 2007/0234856 A1 \* 10/2007 Liu ..... B25B 15/001  
81/438
- 2010/0219594 A1 \* 9/2010 Nash ..... B25B 23/0035  
279/77
- 2012/0160064 A1 \* 6/2012 Moss ..... B25B 13/06  
81/125

\* cited by examiner

*Primary Examiner* — Darlington Ly  
(74) *Attorney, Agent, or Firm* — Law office of John W. Harbst

(57) **CLAIM**

The ornamental design for a nailgun recoil bumper, as shown and described.

**DESCRIPTION**

FIG. 1 is an elevational view of a nailgun recoil bumper showing our new design;  
FIG. 2 is a top plan view thereof;  
FIG. 3 is a bottom plan view thereof;  
FIG. 4 is a top perspective view thereof; and,  
FIG. 5 is bottom perspective view thereof.

**1 Claim, 2 Drawing Sheets**

(56) **References Cited**

U.S. PATENT DOCUMENTS

- 1,353,761 A \* 9/1920 Knoche ..... D05B 91/14  
242/118.4
- 3,176,932 A \* 4/1965 Kovaleski ..... B65D 85/04  
242/118.41
- D244,808 S \* 6/1977 Ubermuth ..... 242/118.4
- D330,318 S \* 10/1992 Snider ..... D8/70
- 5,515,754 A \* 5/1996 Elkins ..... B25G 1/066  
403/106

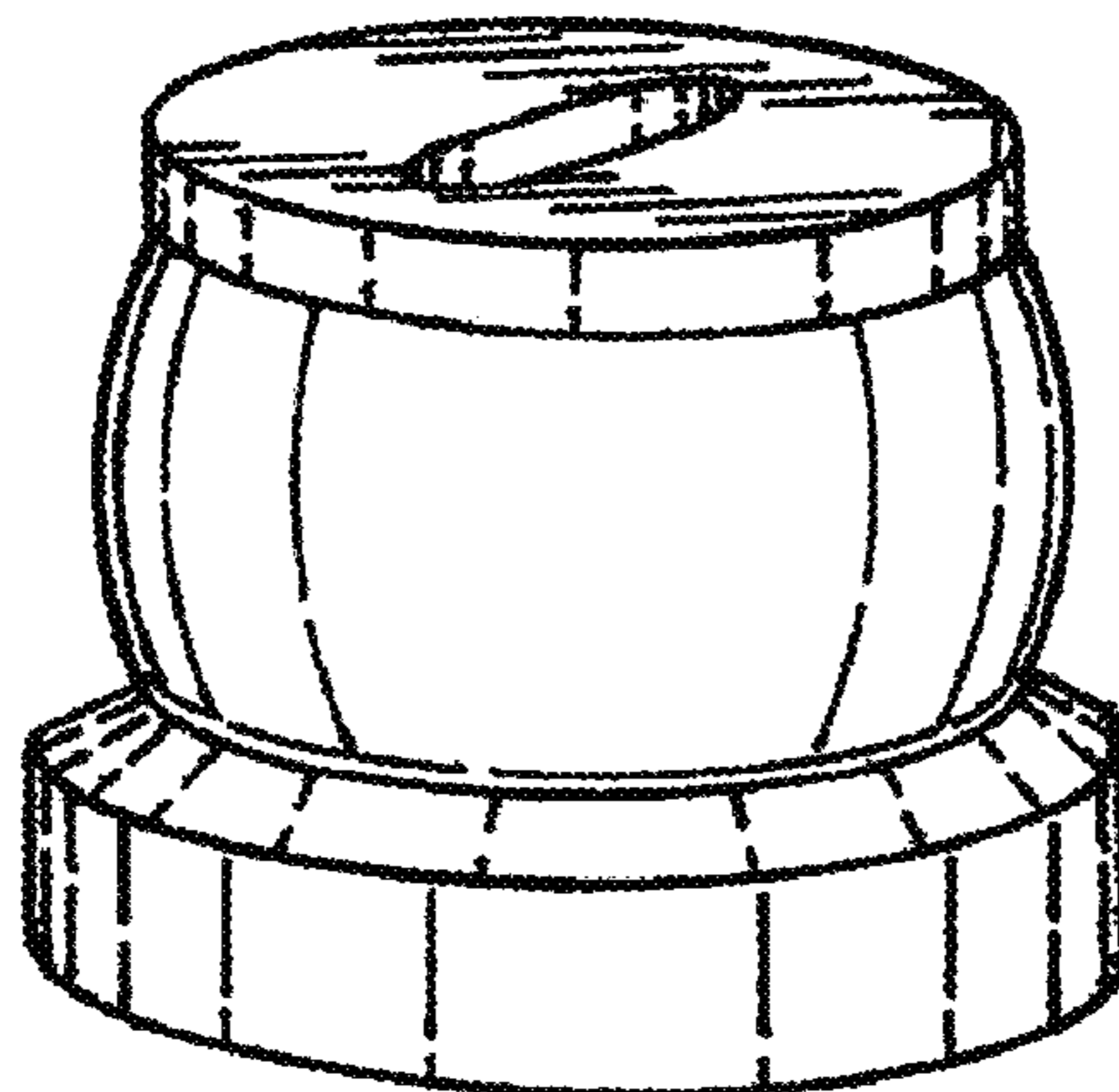


FIG. 2

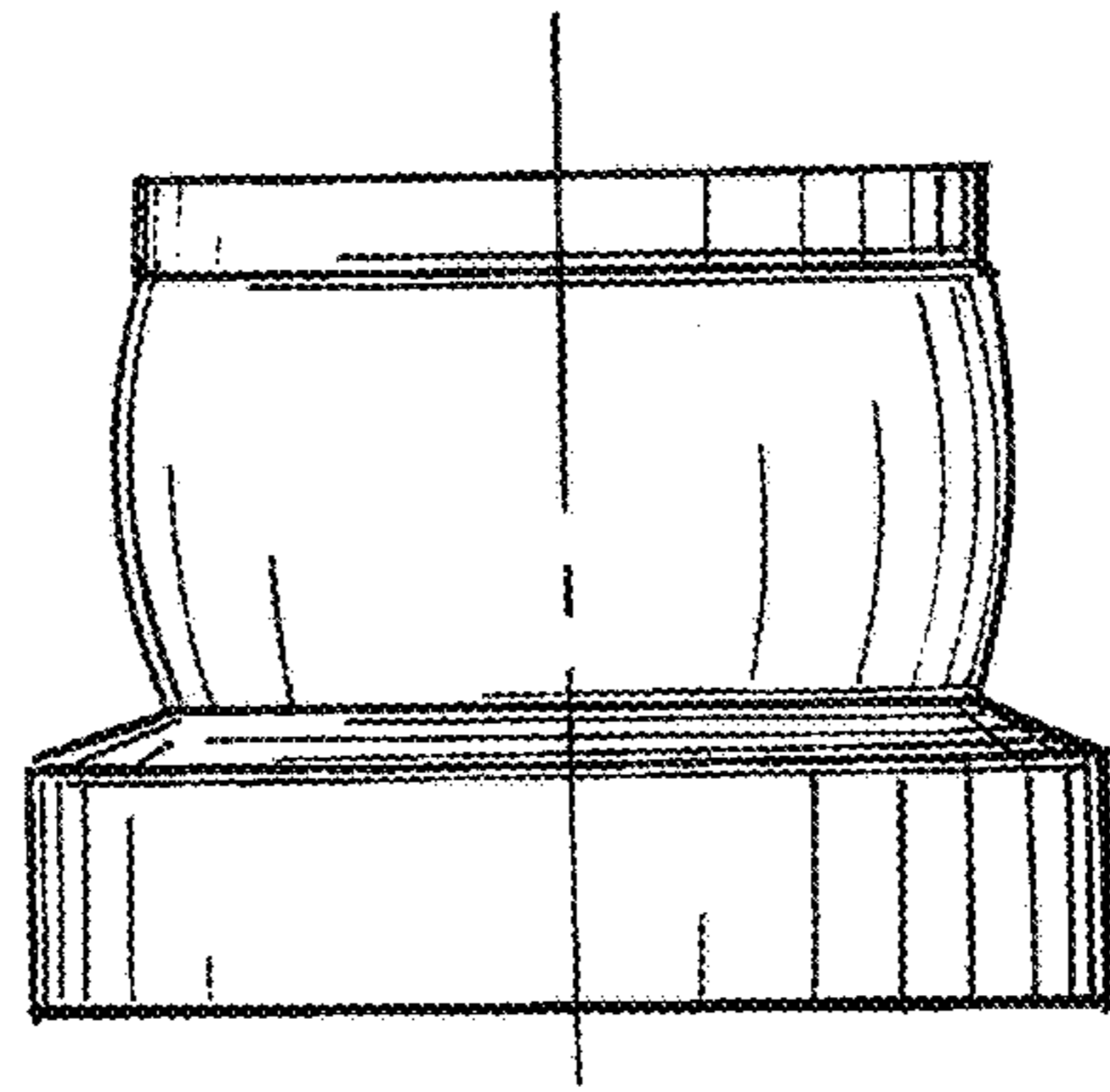
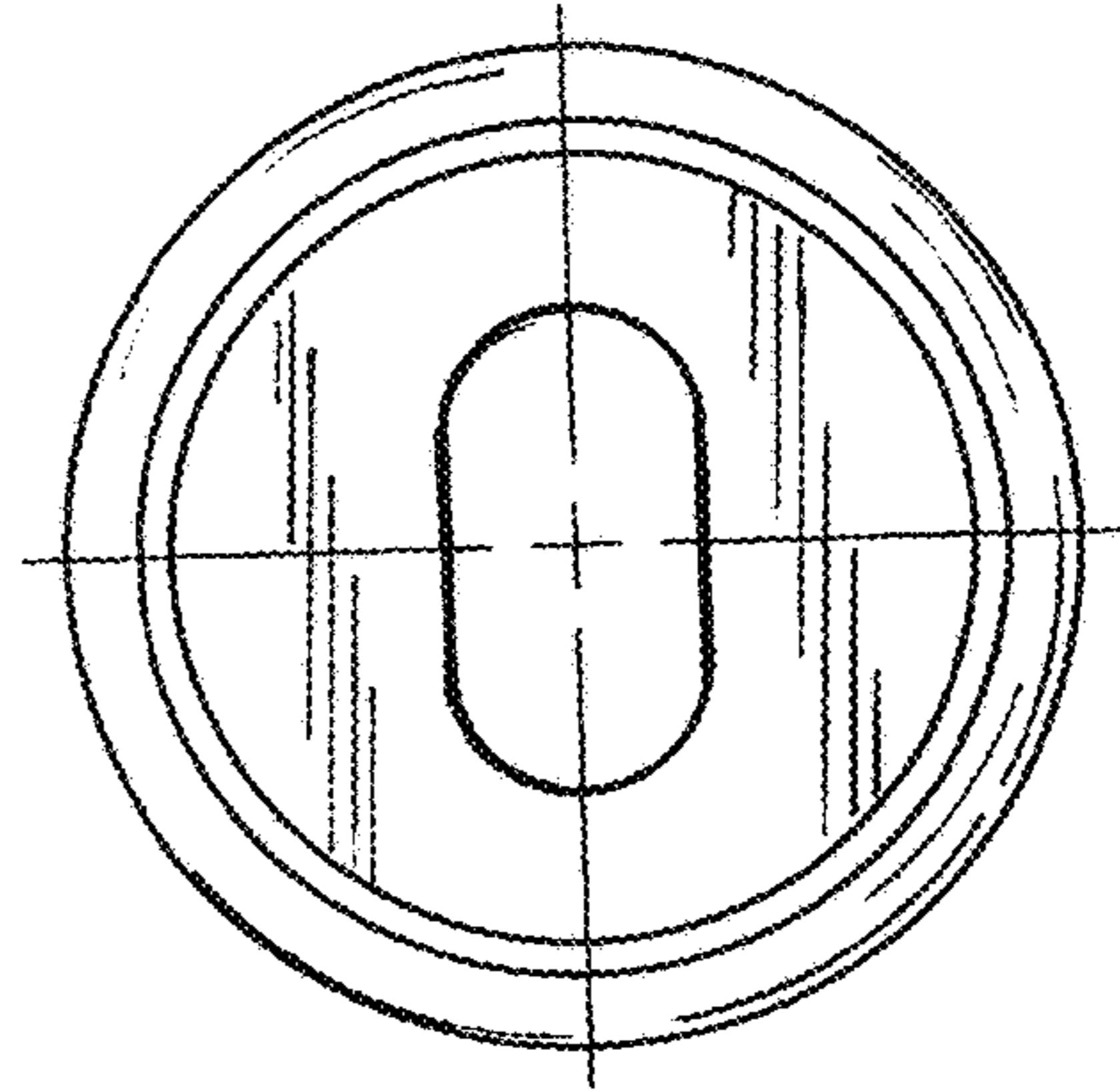


FIG. 1

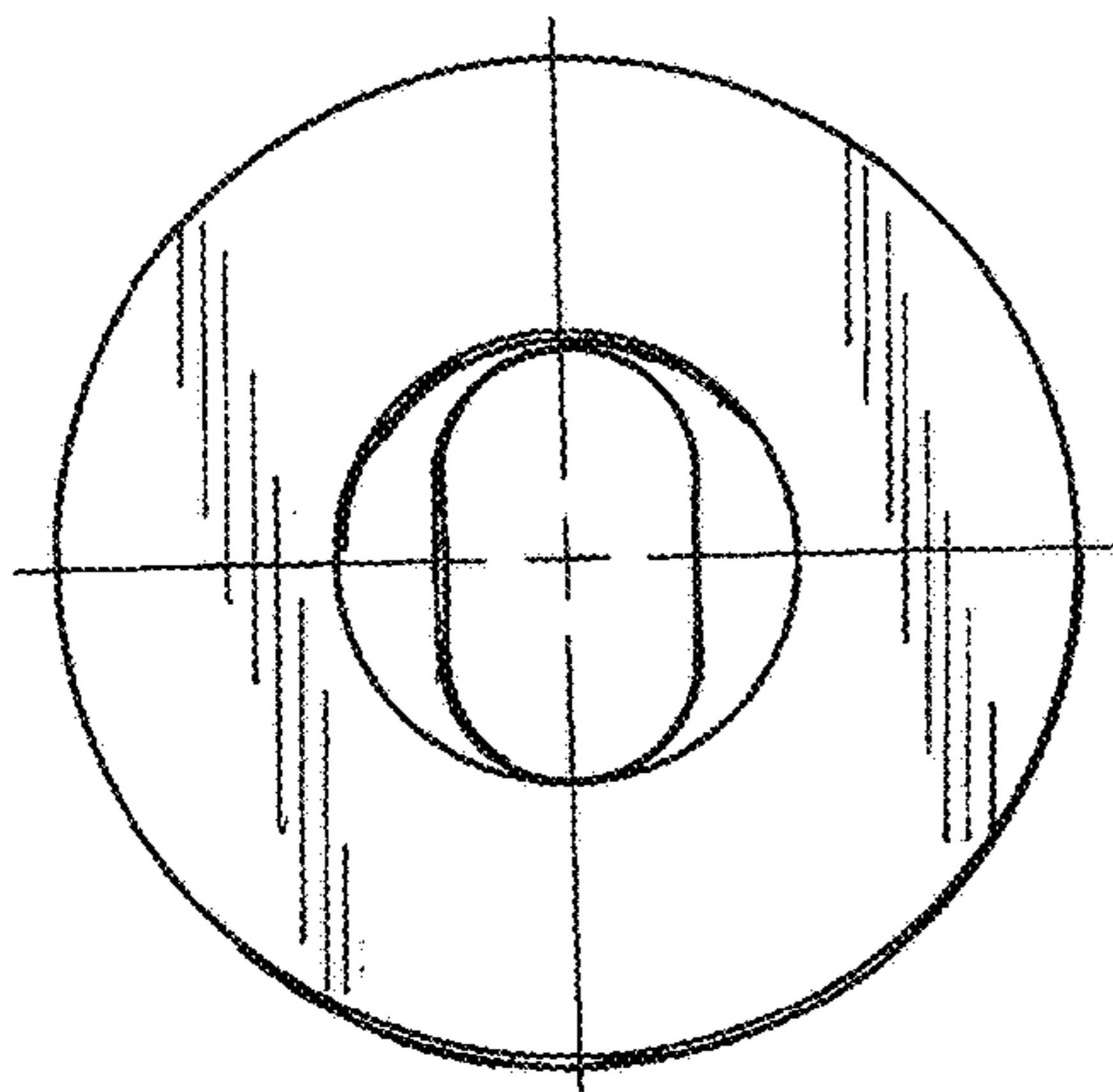


FIG. 3

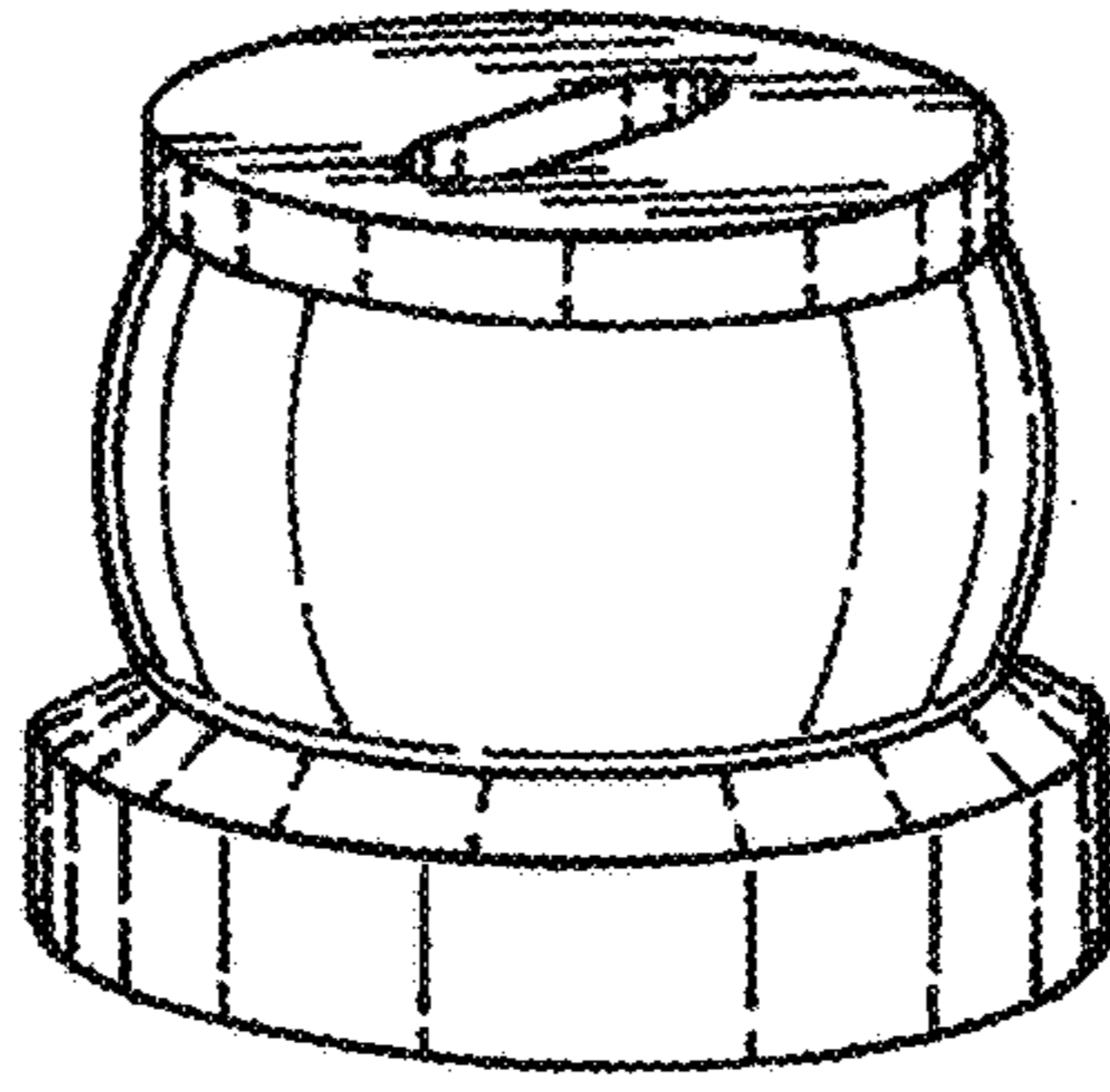


FIG. 4

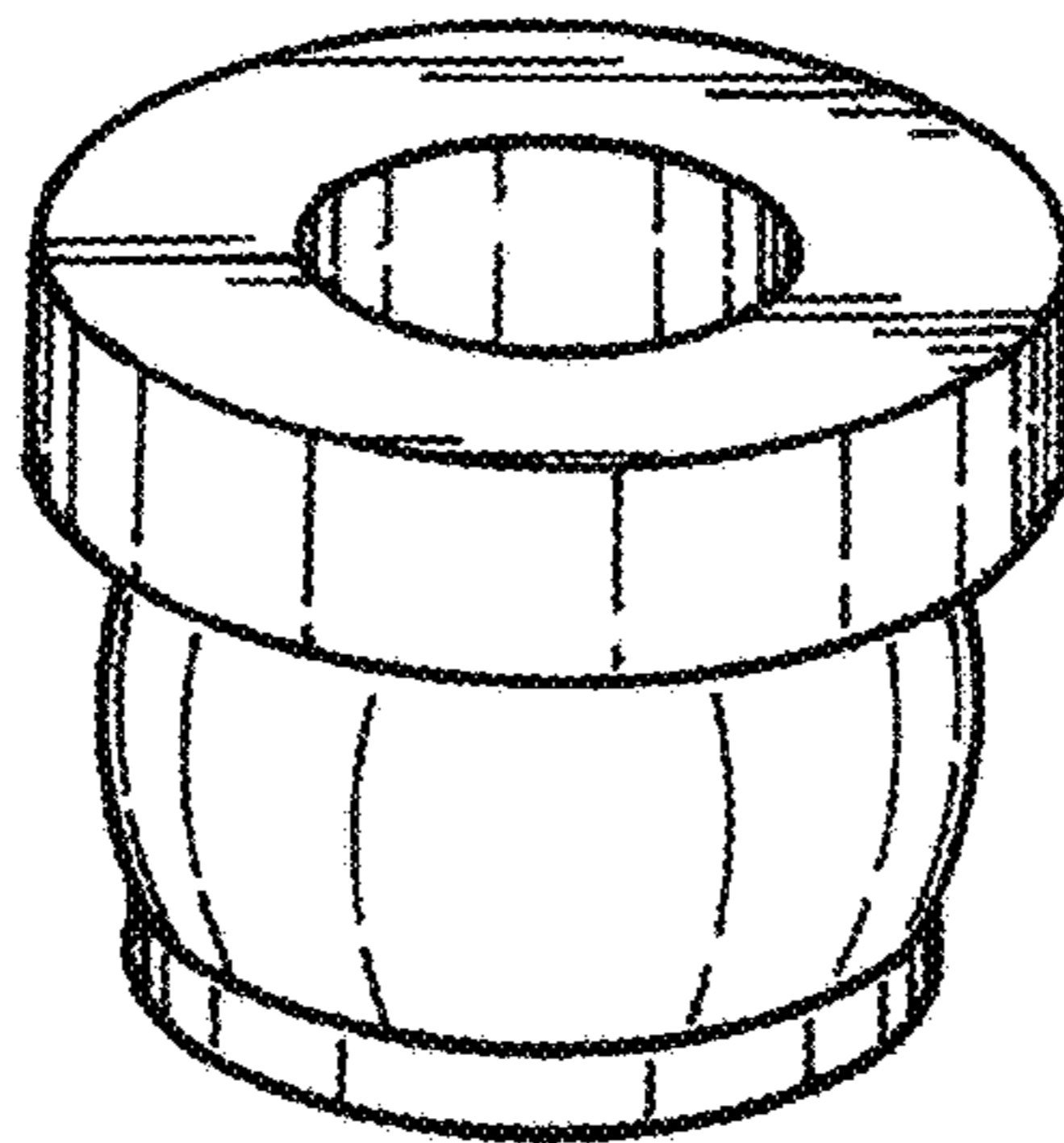


FIG. 5