



US00D859115S

(12) **United States Design Patent**
Cooper et al.

(10) **Patent No.:** **US D859,115 S**

(45) **Date of Patent:** **** Sep. 10, 2019**

(54) **IMPACT DRIVER**

(71) Applicant: **BLACK & DECKER INC.**, New Britain, CT (US)

(72) Inventors: **Joseph B. Cooper**, Baltimore, MD (US); **Jason Busschaert**, Bel Air, MD (US); **Robert Schoch**, Baltimore, MD (US); **David Miller**, Aberdeen, MD (US)

(73) Assignee: **Black & Decker Inc.**, New Britain, CT (US)

(**) Term: **15 Years**

(21) Appl. No.: **29/656,682**

(22) Filed: **Jul. 16, 2018**

Related U.S. Application Data

(63) Continuation of application No. 29/621,949, filed on Oct. 12, 2017, now Pat. No. Des. 838,156.

(51) **LOC (12) Cl.** **08-05**

(52) **U.S. Cl.**
USPC **D8/68**

(58) **Field of Classification Search**
USPC D8/61, 67, 68; 81/57, 57.11, 57.14, 81/57.26, 429, 464, 469; 173/2, 170, 176
CPC B62D 23/005; B62D 29/00; B62D 29/043; B62D 31/00; B62D 33/046; B62D 35/00; B62D 35/001; B60Q 1/0005
See application file for complete search history.

(56) **References Cited**

U.S. PATENT DOCUMENTS

D820,656 S * 6/2018 Waldron D8/68
D830,148 S * 10/2018 Waldron D8/68

D835,960 S * 12/2018 Koeniger D8/68
D835,961 S * 12/2018 Kachar D8/68
D838,156 S * 1/2019 Cooper D8/68
D839,069 S * 1/2019 Koeniger D8/68
D840,778 S * 2/2019 Waldron D8/68
D843,188 S * 3/2019 Croghan D8/68
D843,804 S * 3/2019 Croghan D8/68

OTHER PUBLICATIONS

Pictures of prior art of DeWalt 20v Max XR 1/4" 3-Speed Impact Driver DCF887B www.dewalt.com/en-us/products/power-tools/impact-drivers-and-wrenches/20v-max-xr-14-3speed-impact-driver-bare/dcf887b; accessed on Aug. 28, 2018.

* cited by examiner

Primary Examiner — Austin Murphy

(74) *Attorney, Agent, or Firm* — Stephen R. Valancius

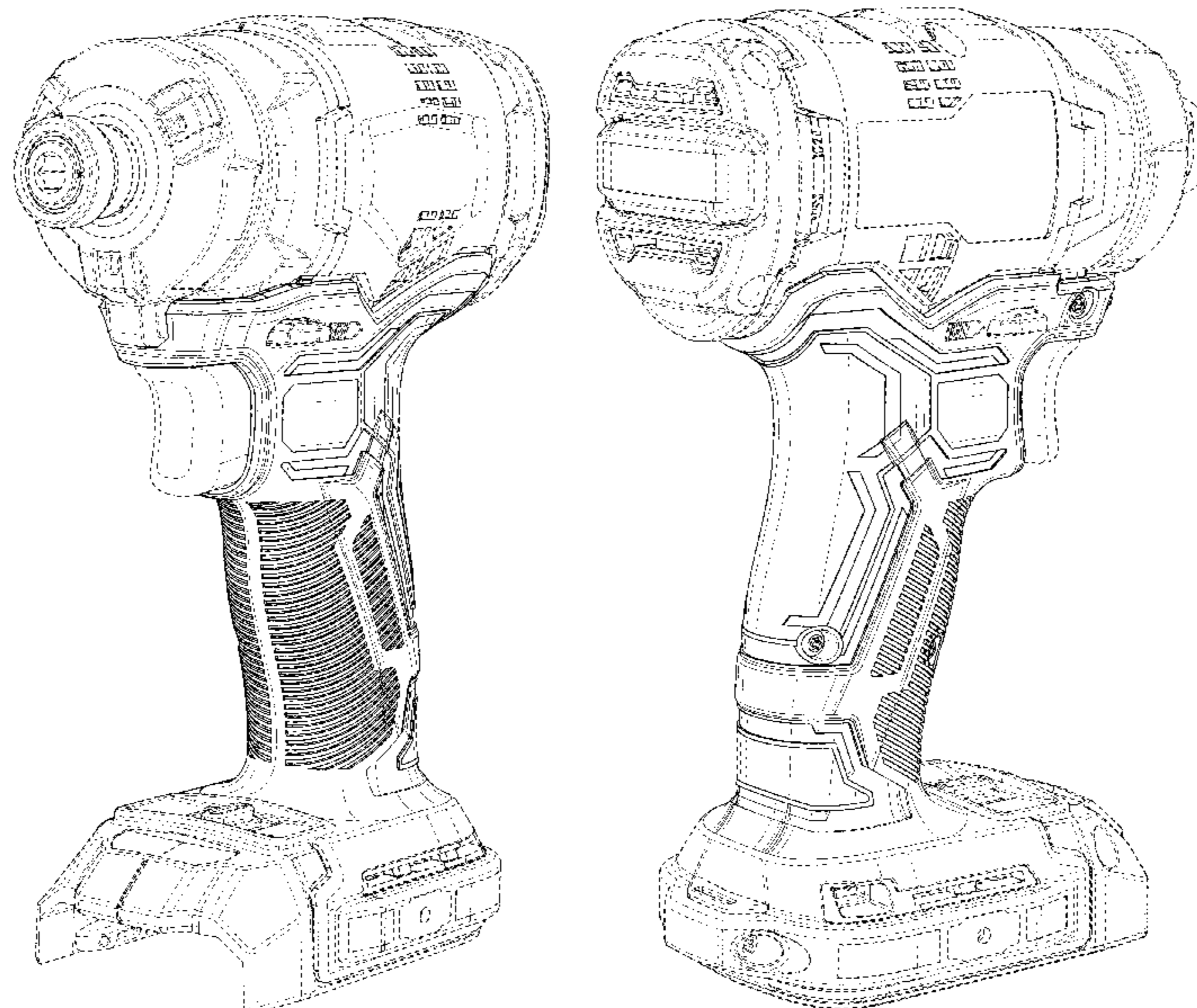
(57) **CLAIM**

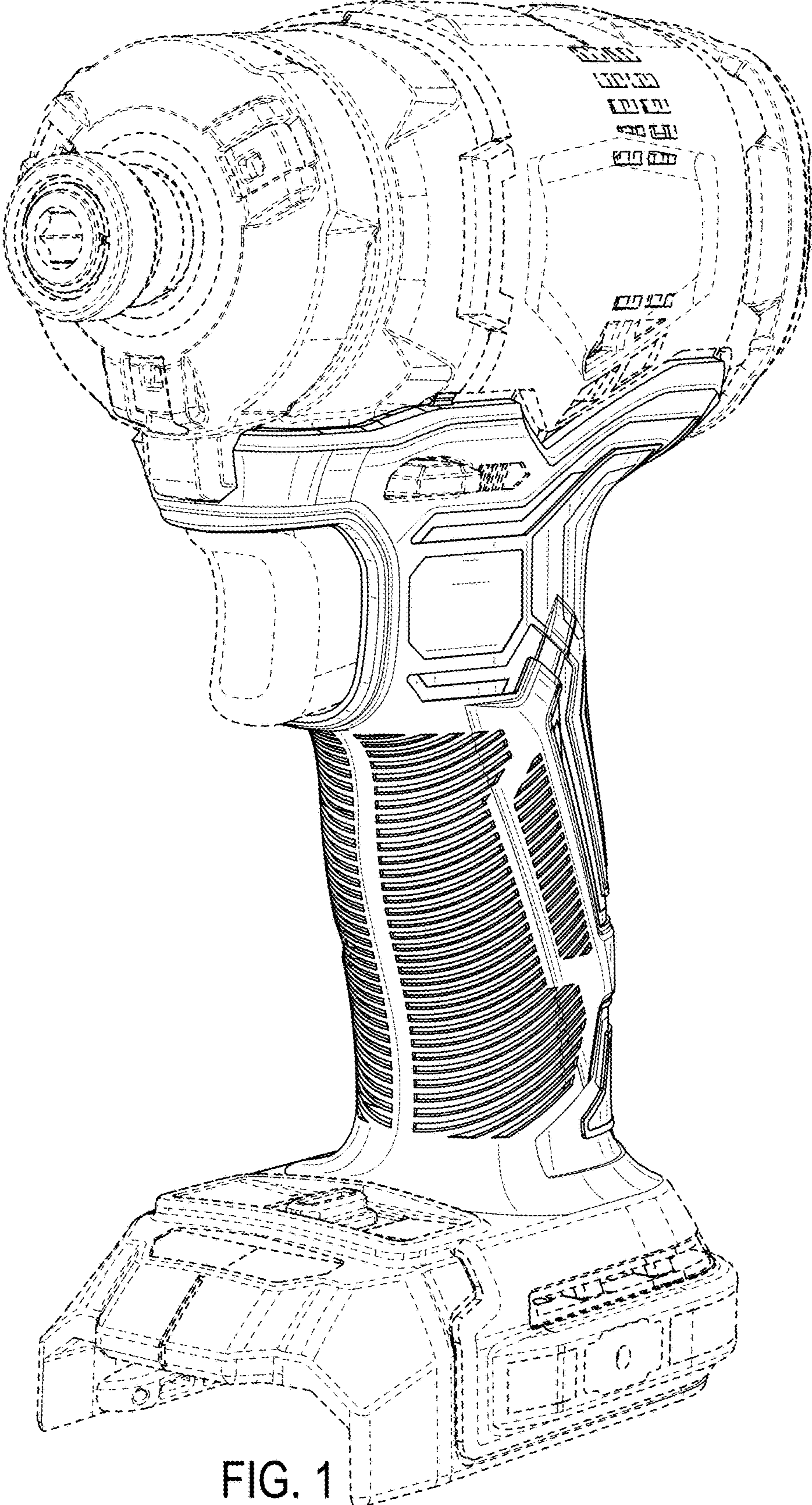
The ornamental design for an impact driver, as shown and described.

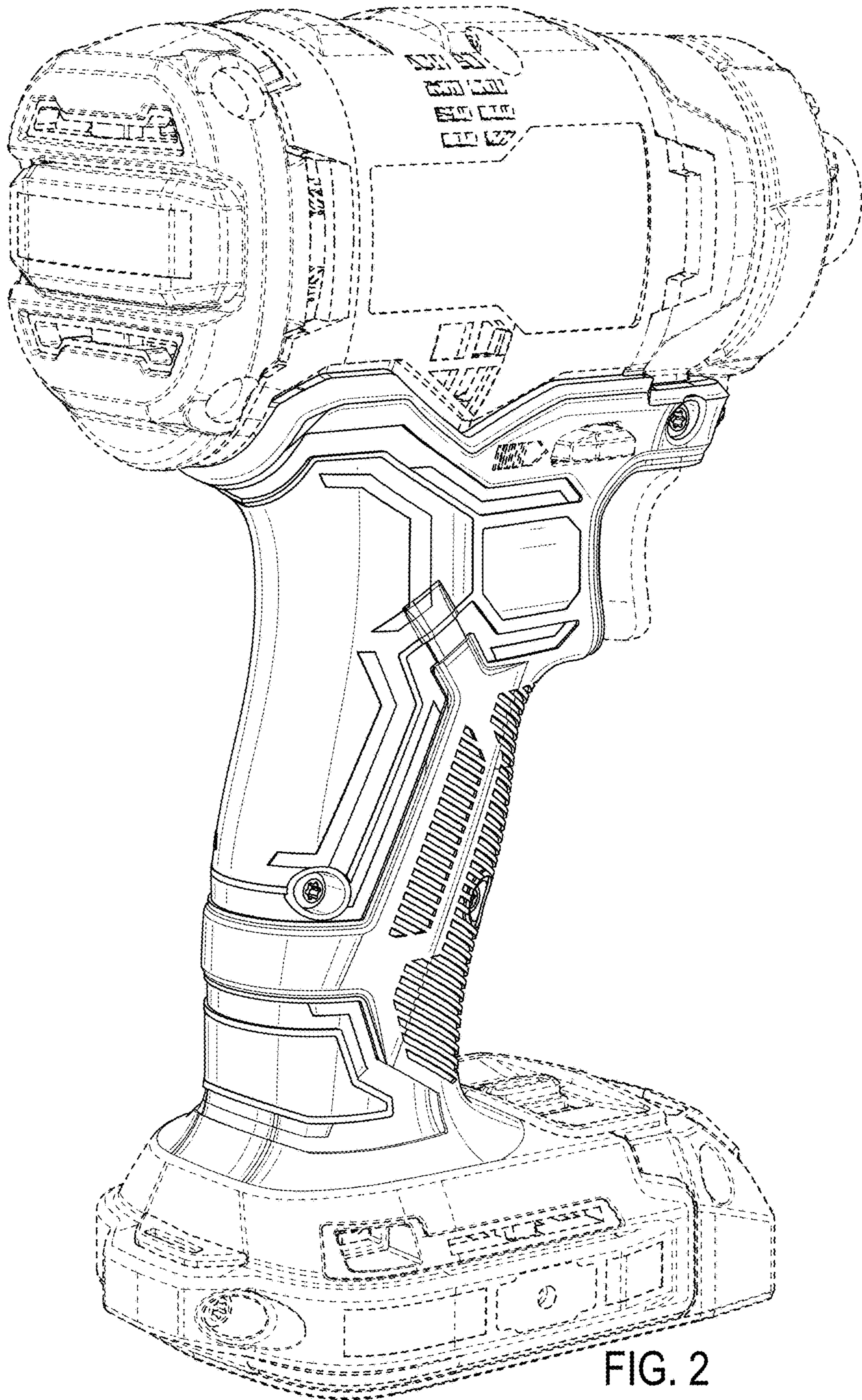
DESCRIPTION

FIG. 1 is a perspective left view of an impact driver showing my new design;
FIG. 2 is a perspective right side view thereof;
FIG. 3 is a front view thereof;
FIG. 4 is a rear view thereof;
FIG. 5 is a left side view thereof;
FIG. 6 is a right side view thereof
FIG. 7 is a bottom plan view; and,
FIG. 8 is a top plan view thereof.
In the above drawings, the broken lines and the areas within the broken lines form no part of the claimed design.

1 Claim, 8 Drawing Sheets







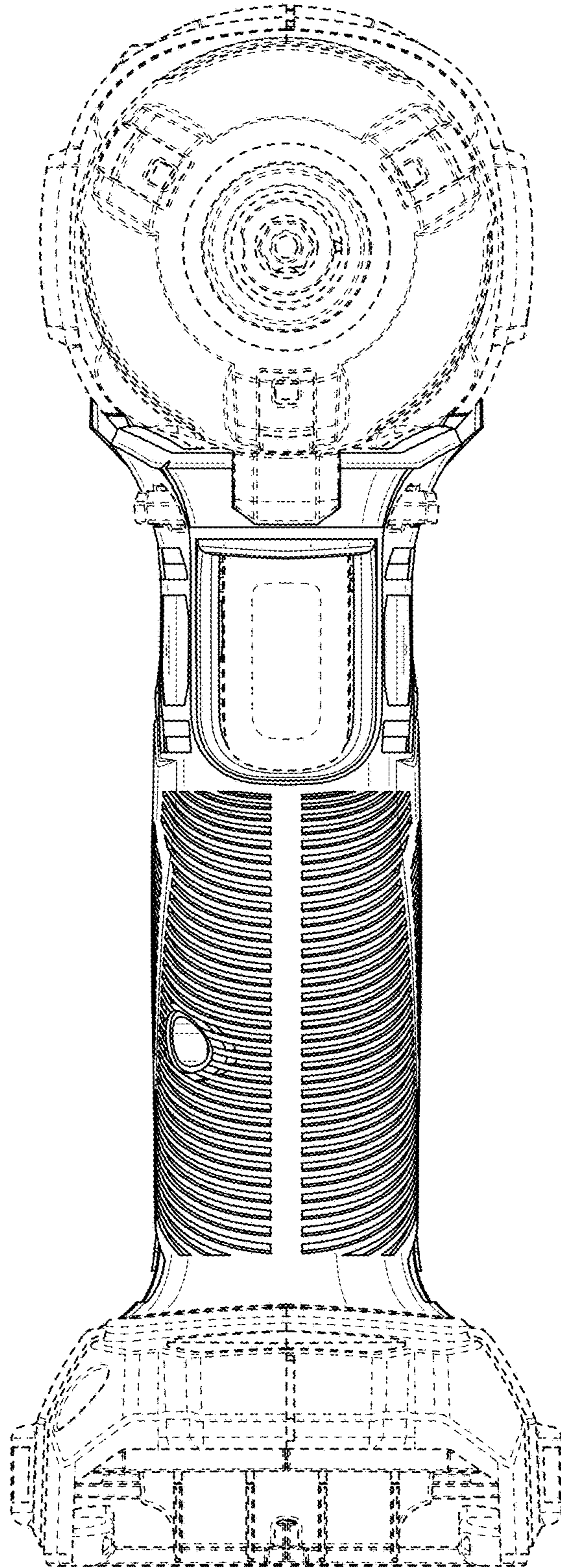


FIG. 3

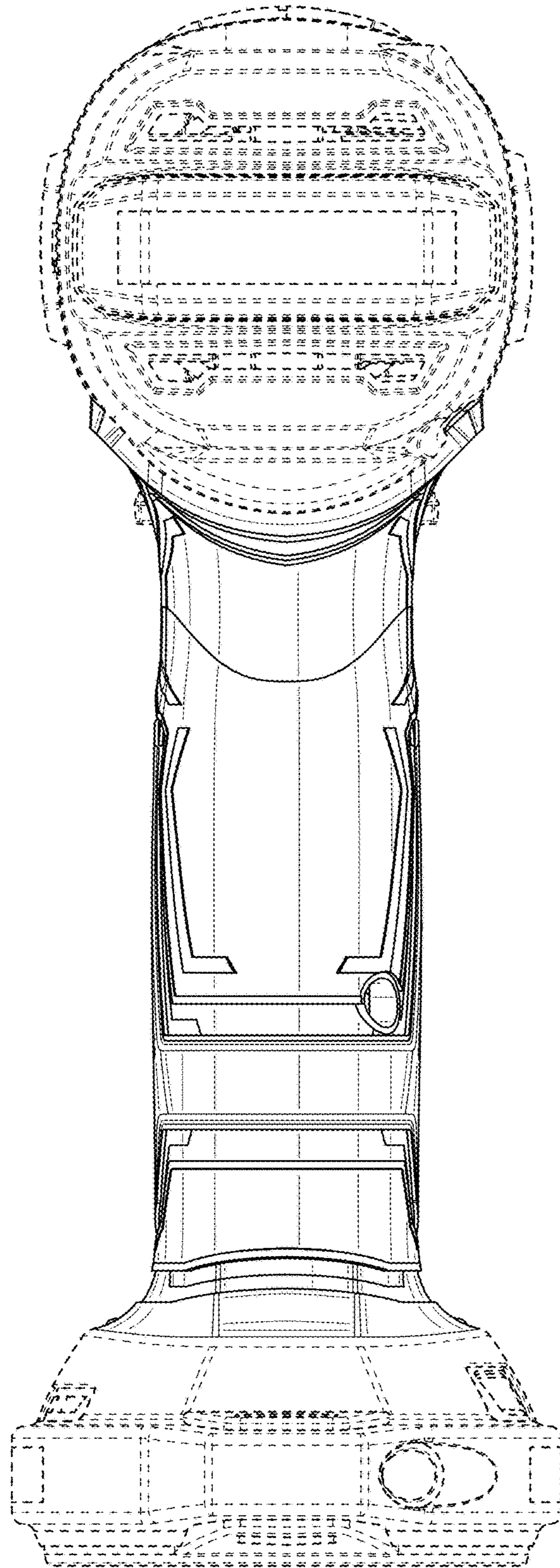


FIG. 4

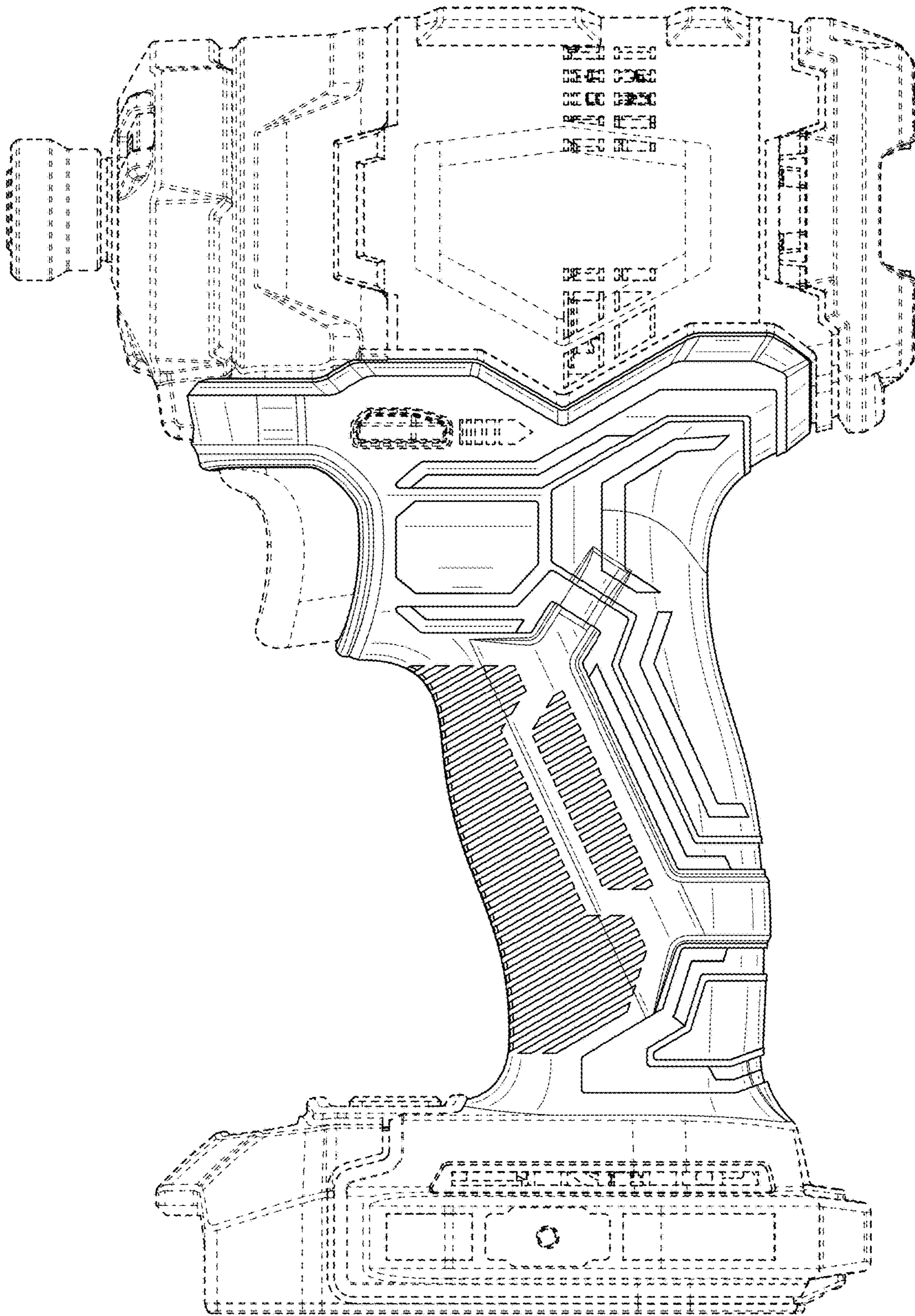


FIG. 5

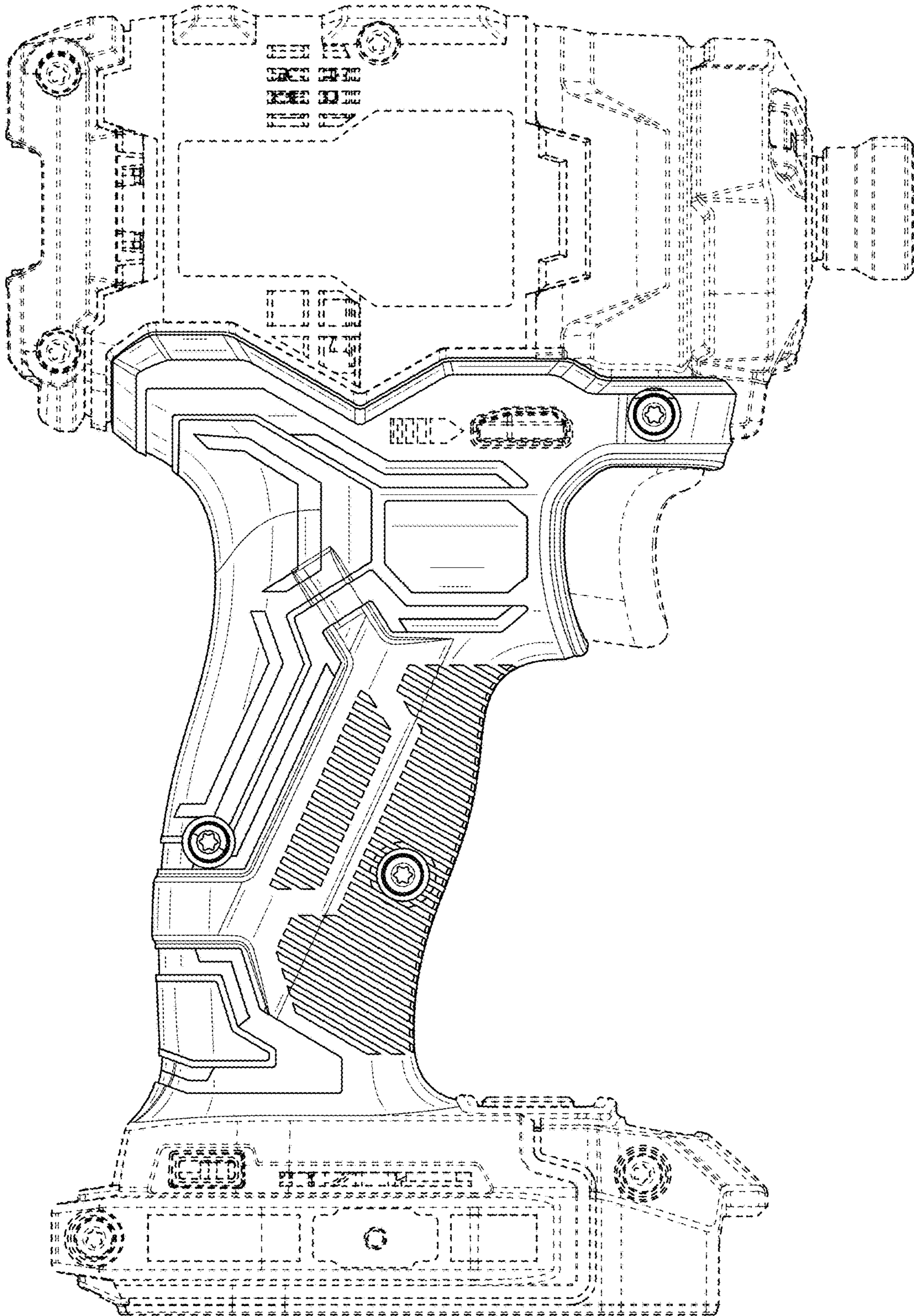


FIG. 6

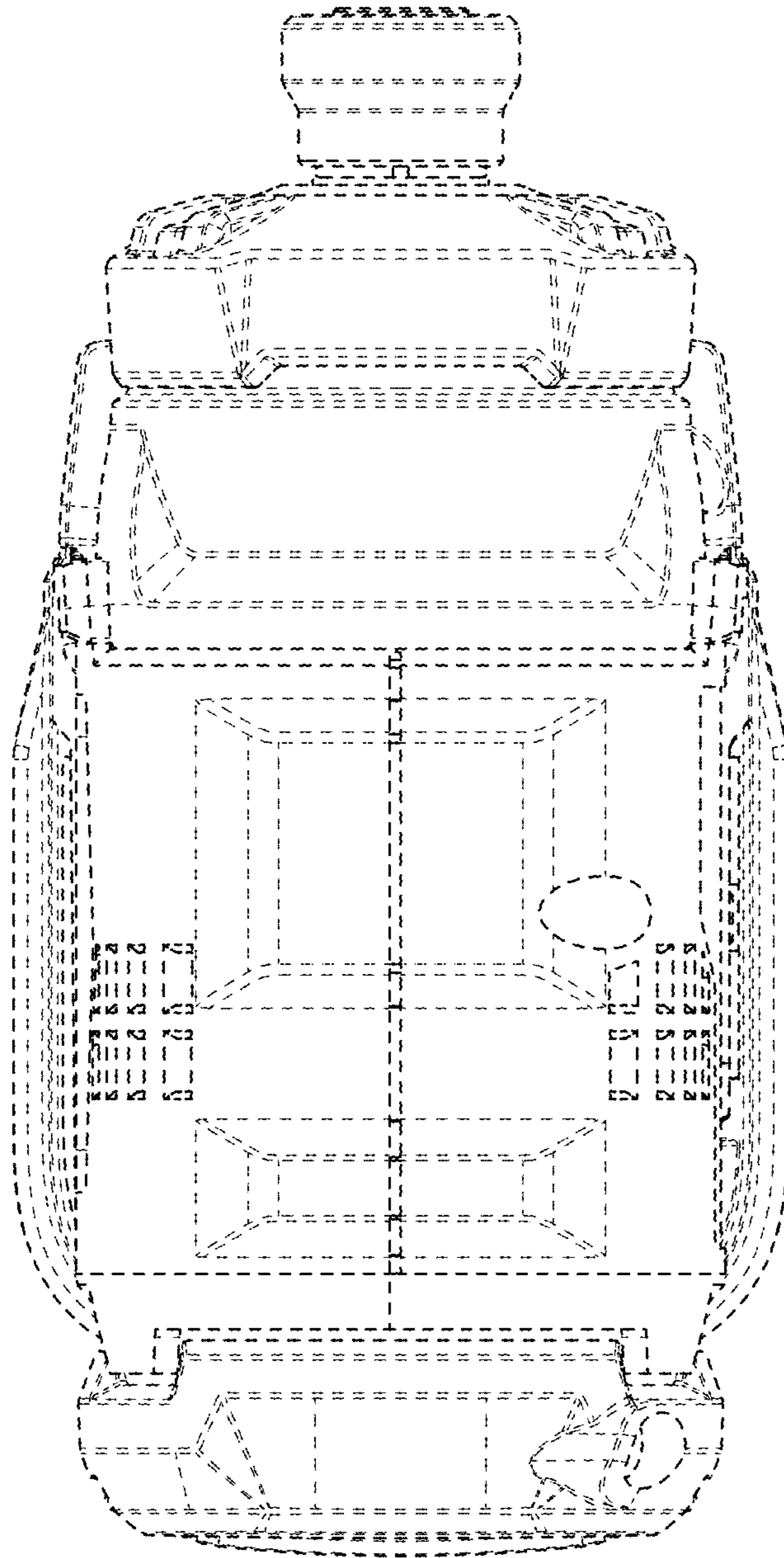


FIG. 7

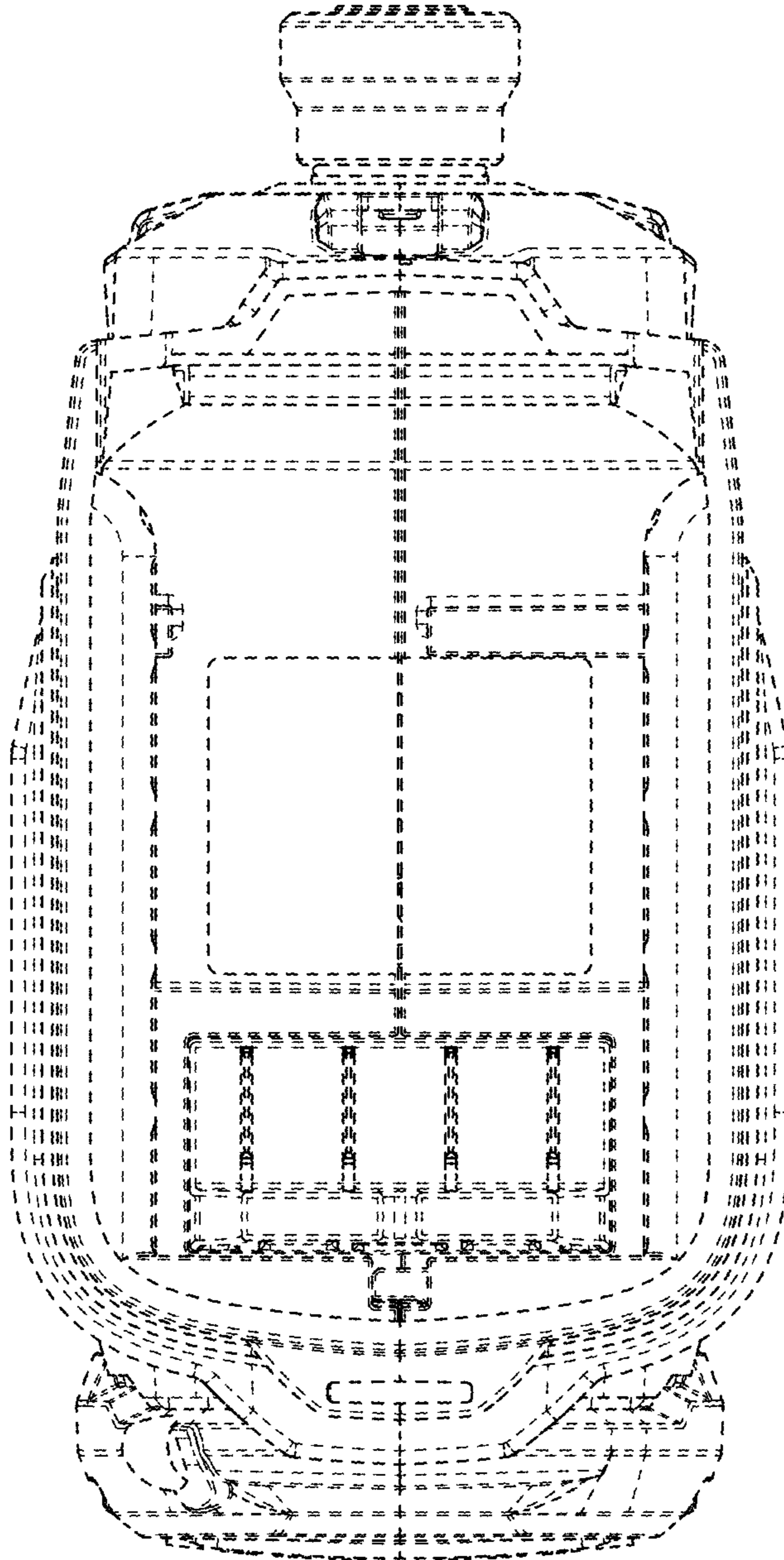


FIG. 8