



US00D859113S

(12) **United States Design Patent**
Gu

(10) **Patent No.:** **US D859,113 S**

(45) **Date of Patent:** **** Sep. 10, 2019**

(54) **DRILL**

(71) Applicant: **BLACK & DECKER INC.**, New Britain, CT (US)

(72) Inventor: **Cheng Gang Gu**, Suzhou Jiang Su (CN)

(73) Assignee: **Black & Decker Inc.**, New Britain, CT (US)

(**) Term: **15 Years**

(21) Appl. No.: **29/654,327**

(22) Filed: **Jun. 22, 2018**

(30) **Foreign Application Priority Data**

Apr. 23, 2018 (CN) 2018 3 0169538

(51) **LOC (12) Cl.** **08-05**

(52) **U.S. Cl.**
USPC **D8/68**

(58) **Field of Classification Search**
USPC D8/61, 67, 68; 81/57, 57.11, 57.14,
81/57.26, 429, 464, 469; 173/2, 170,
173/176; 408/125, 124; 362/119
CPC B62D 23/005; B62D 29/00; B62D 29/043;
B62D 31/00; B62D 33/046; B62D 35/00;
B62D 35/001; B60Q 1/0005
See application file for complete search history.

(56) **References Cited**

U.S. PATENT DOCUMENTS

D441,268 S * 5/2001 Heun D8/68
D526,178 S * 8/2006 Alias D8/68
D533,419 S * 12/2006 Aglassinger D8/68

D566,506 S * 4/2008 Aglassinger D8/68
D605,015 S * 12/2009 Aglassinger D8/68
D605,485 S * 12/2009 Aglassinger D8/68
D608,174 S * 1/2010 Wright D8/68
D609,543 S * 2/2010 Misaki D8/68
D610,424 S * 2/2010 Wright D8/68
D628,454 S * 12/2010 Misaki D8/68
D645,316 S * 9/2011 Murray D8/68
D674,677 S * 1/2013 Tirone D8/68
D823,087 S * 7/2018 Taniguchi D8/68

OTHER PUBLICATIONS

Pictures of Porter Cable PCE141 1/2 inch Single-Speed Hammer Drill—<https://www.portercable.com/products/power-tools/drills-and-drivers/hammer-drills/-in-csr-singlespeed-hammer-drill/pce141>; accessed on Aug. 27, 2018.

* cited by examiner

Primary Examiner — Austin Murphy

(74) *Attorney, Agent, or Firm* — Stephen R. Valancius

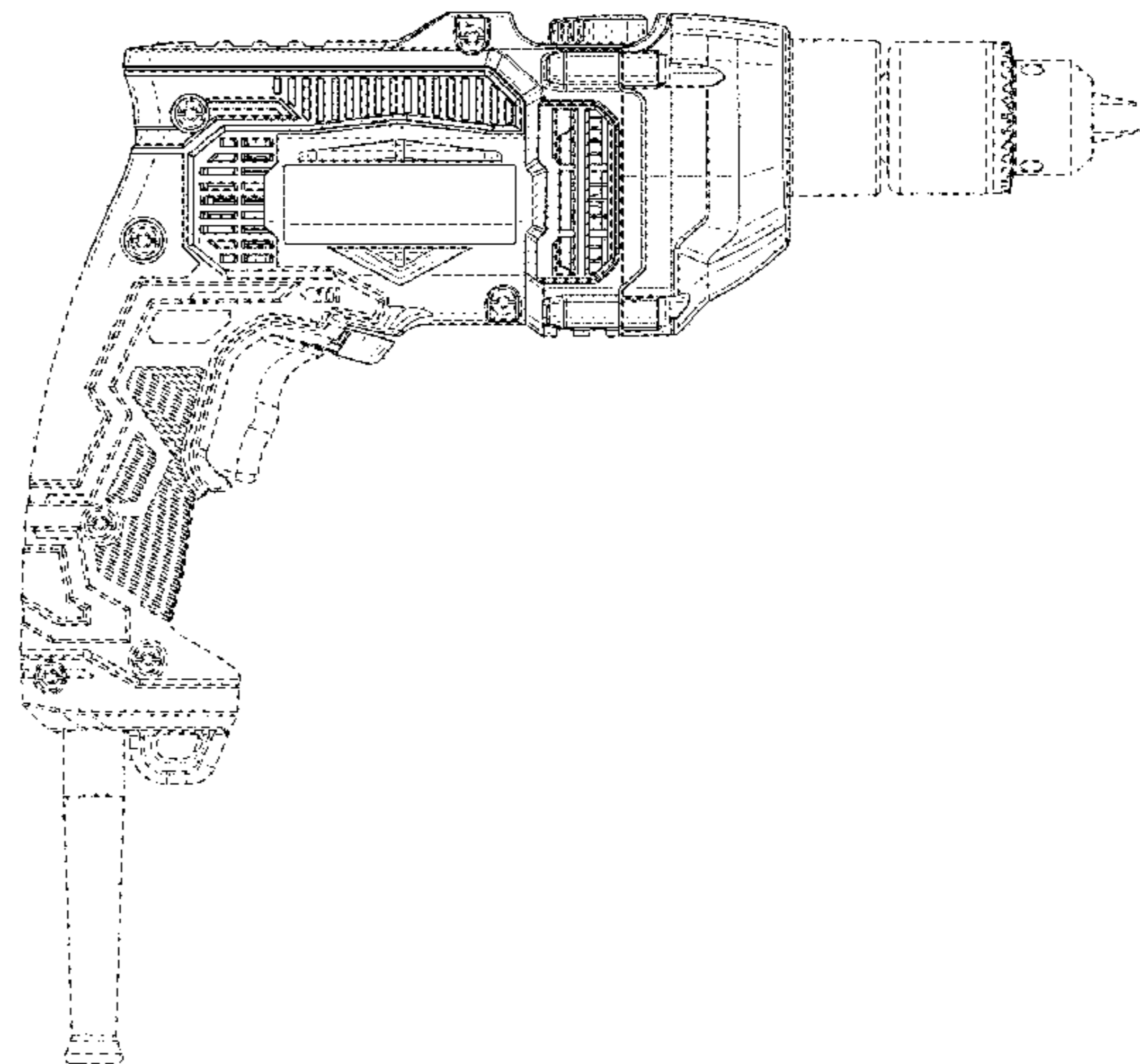
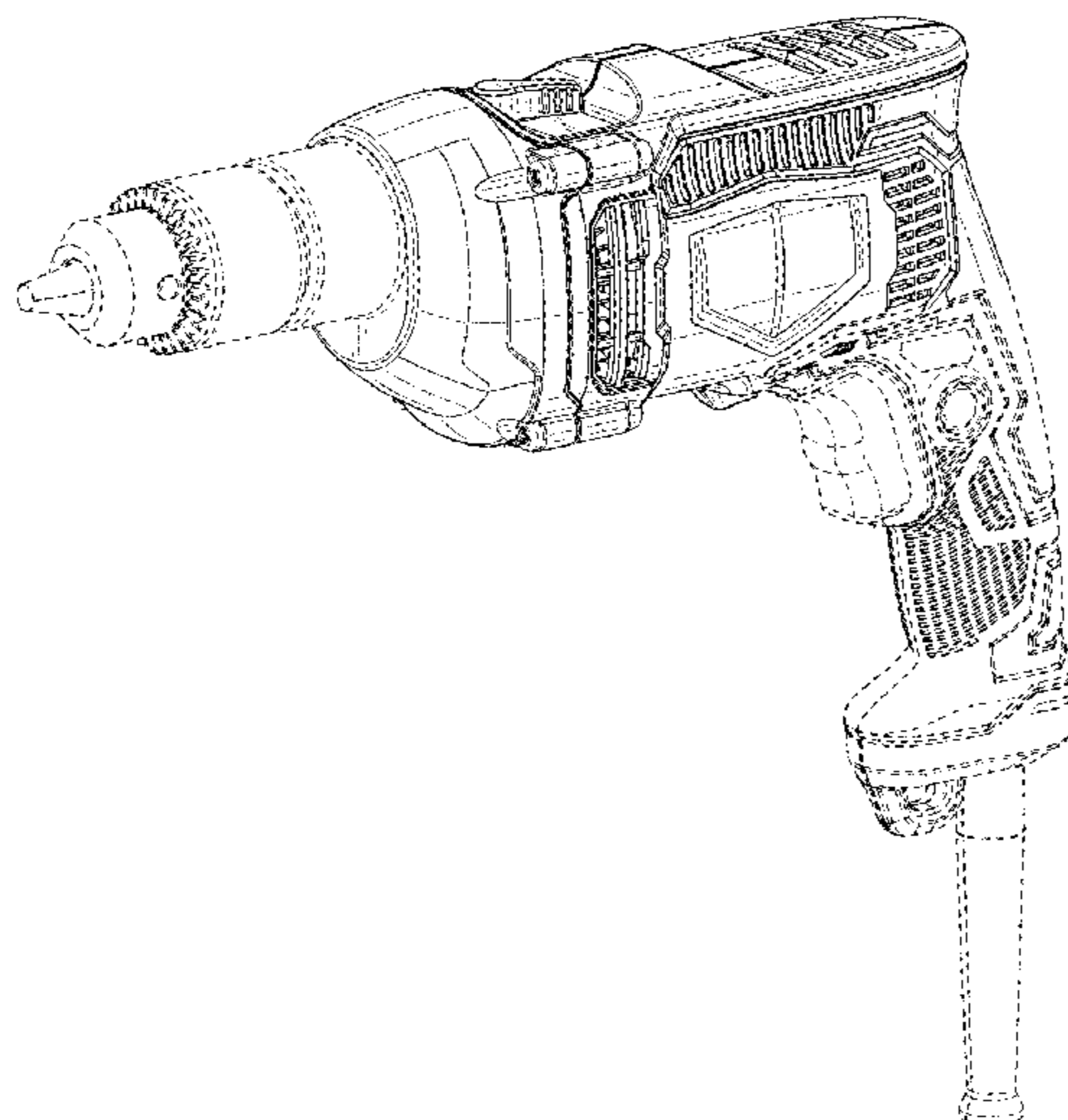
(57) **CLAIM**

The ornamental design for a drill, as shown and described.

DESCRIPTION

FIG. 1 is a perspective view of a drill showing my new design;
FIG. 2 is a left side view thereof;
FIG. 3 is a right side view thereof;
FIG. 4 is a front view thereof;
FIG. 5 is a rear view thereof;
FIG. 6 is a top plan view thereof; and,
FIG. 7 is a bottom plan view thereof.
In the above drawings, the broken lines and the areas within the broken lines form no part of the claimed design.

1 Claim, 7 Drawing Sheets



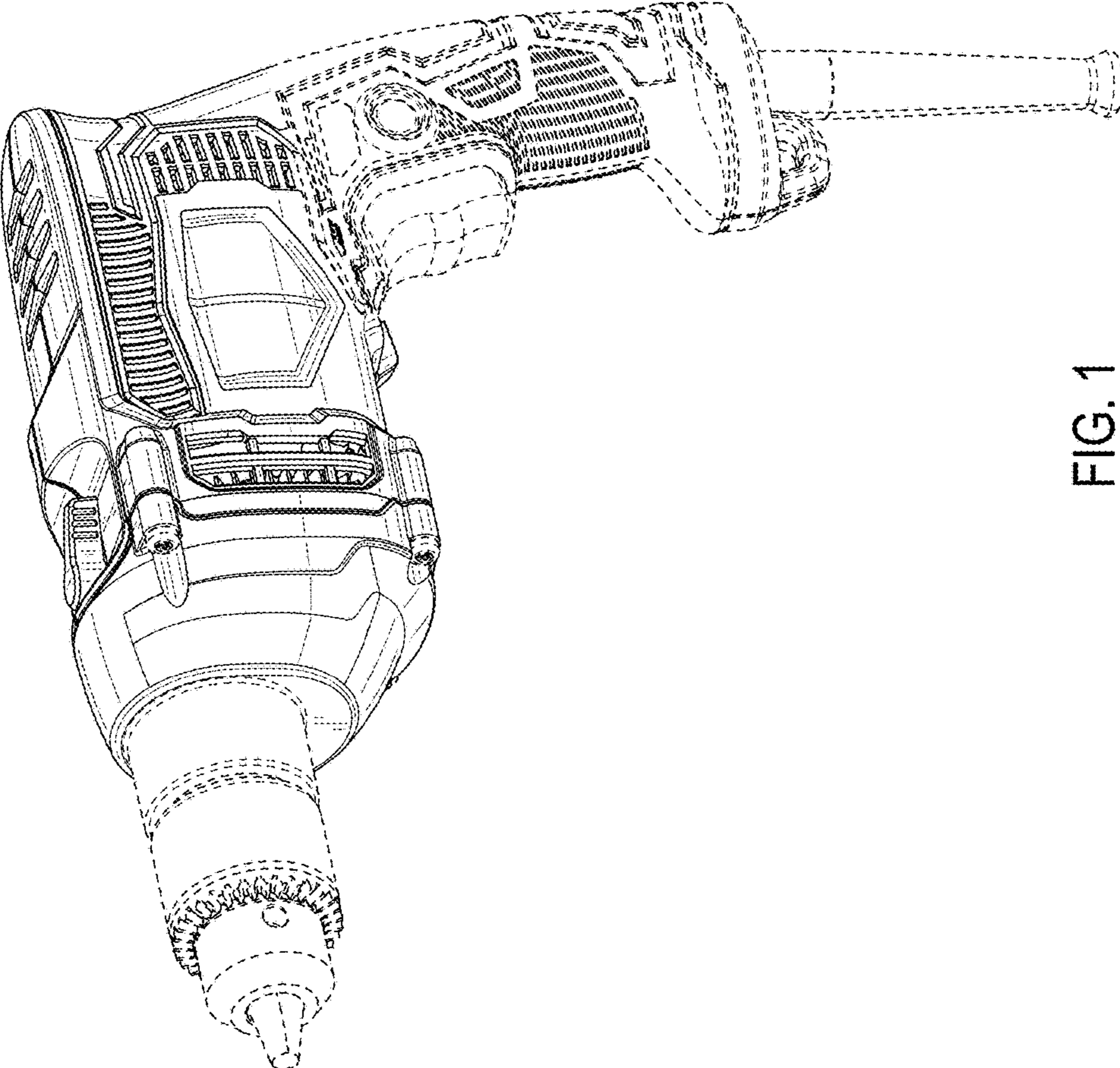


FIG. 1

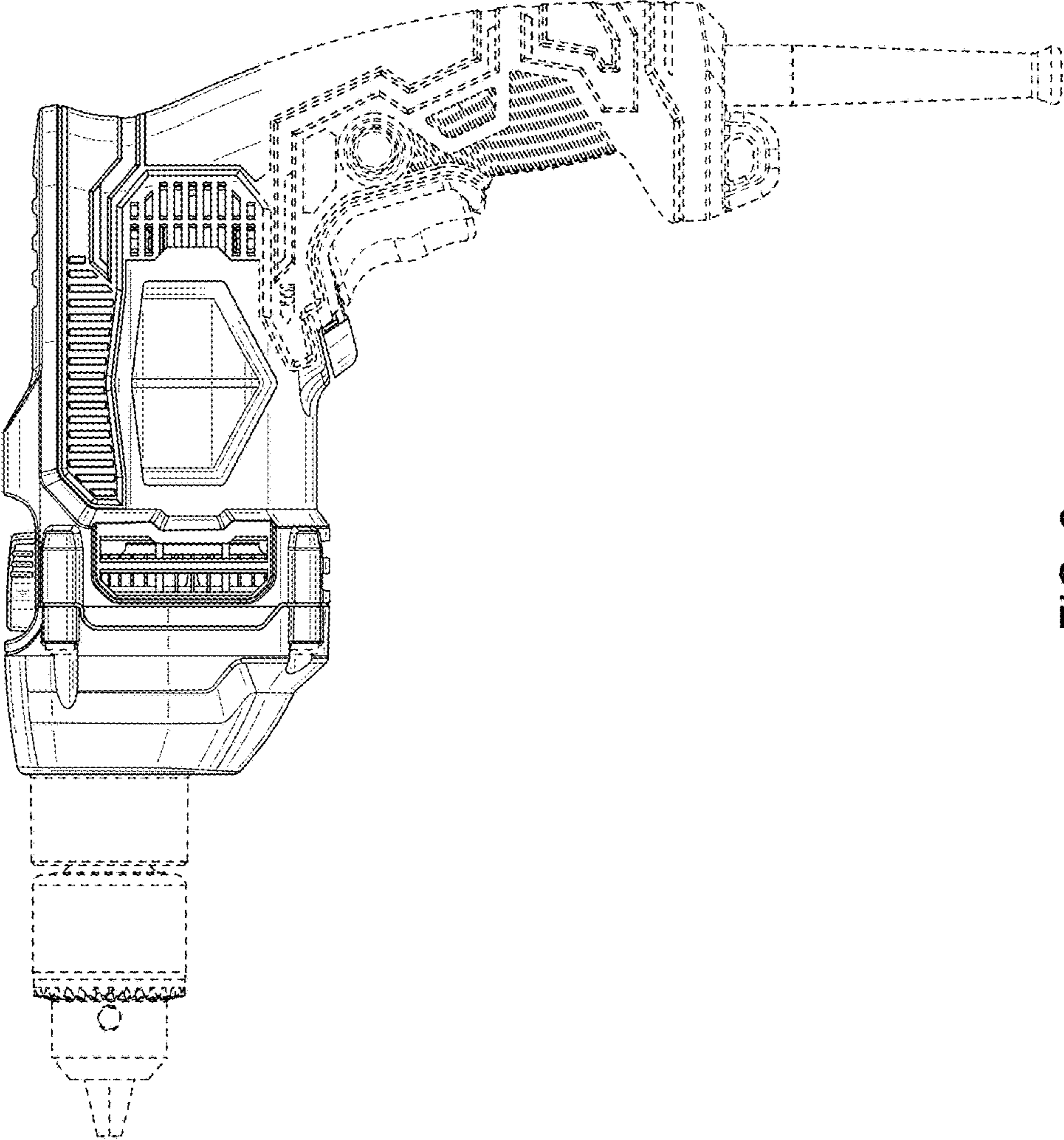


FIG. 2

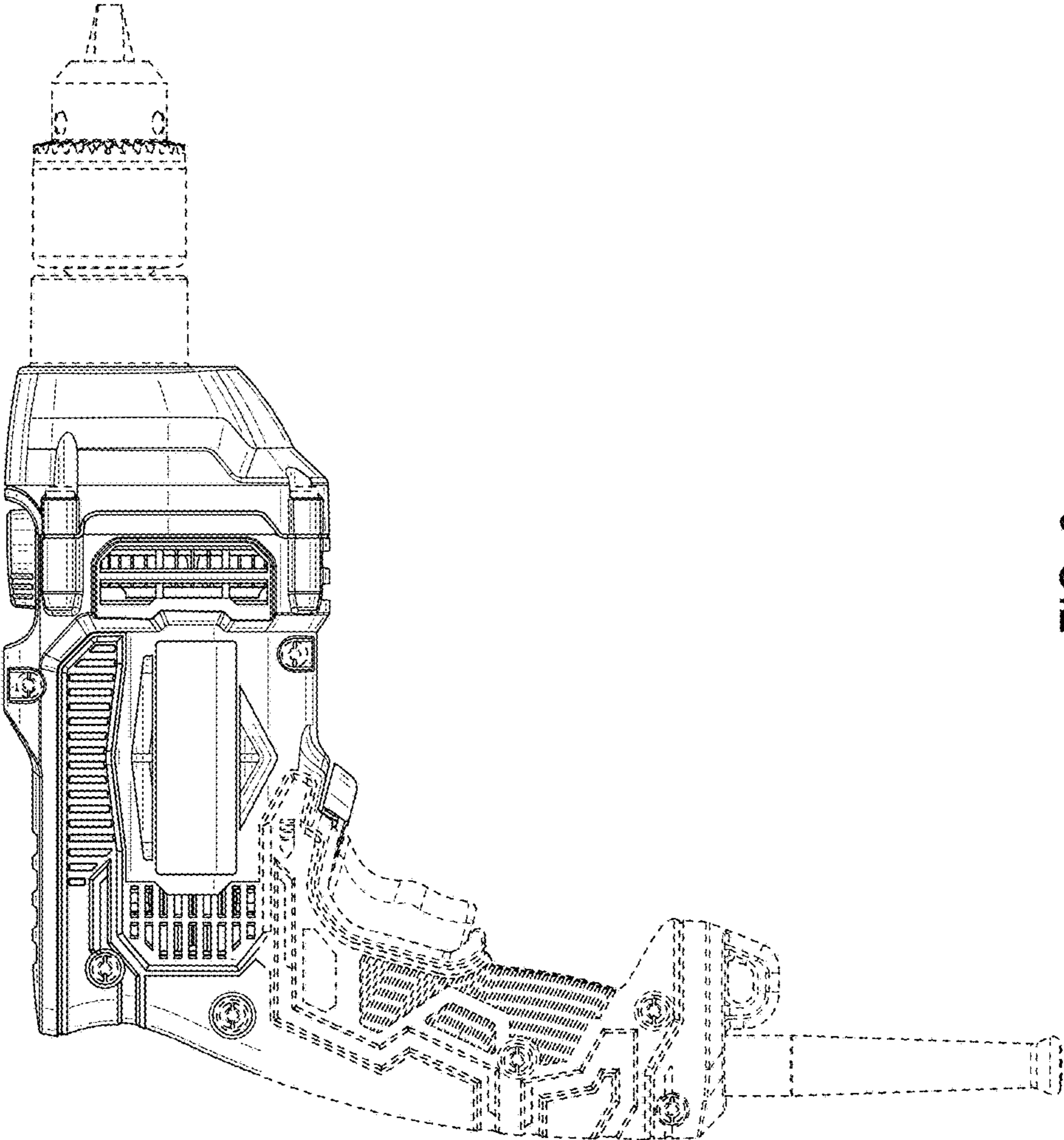


FIG. 3

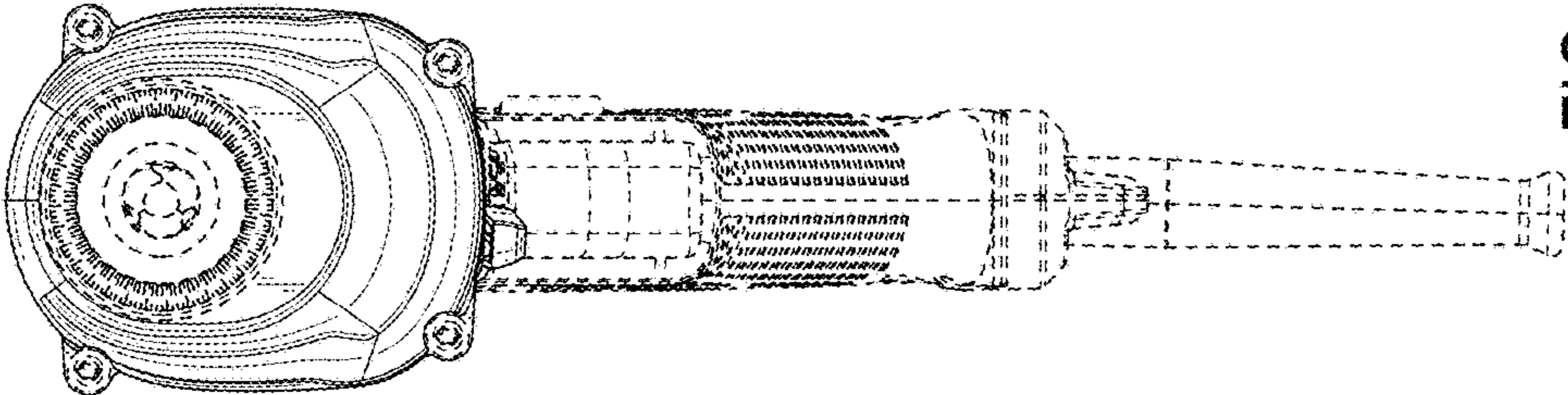


FIG. 4

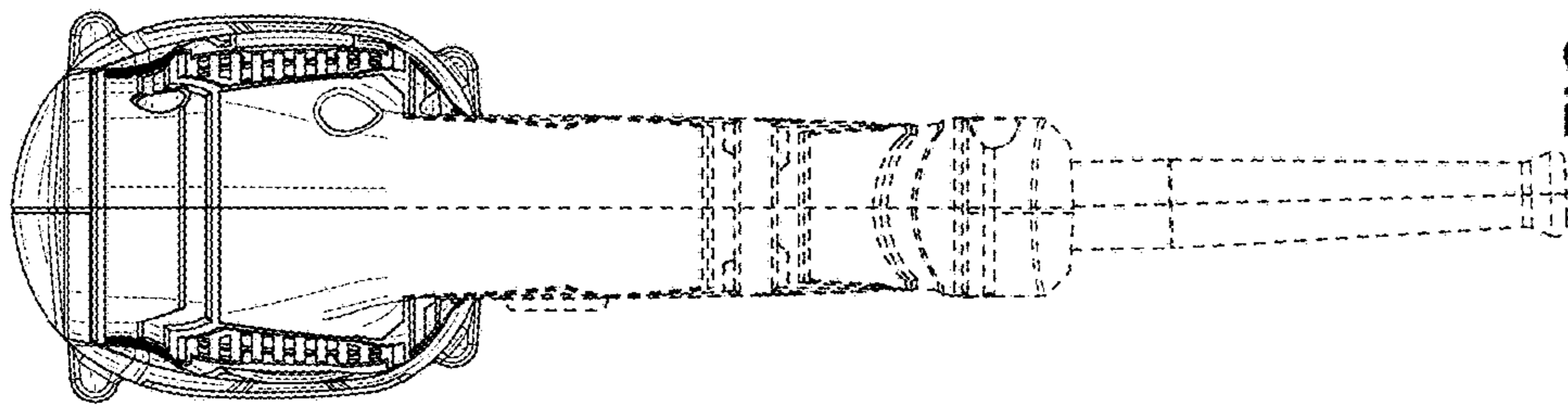


FIG. 5

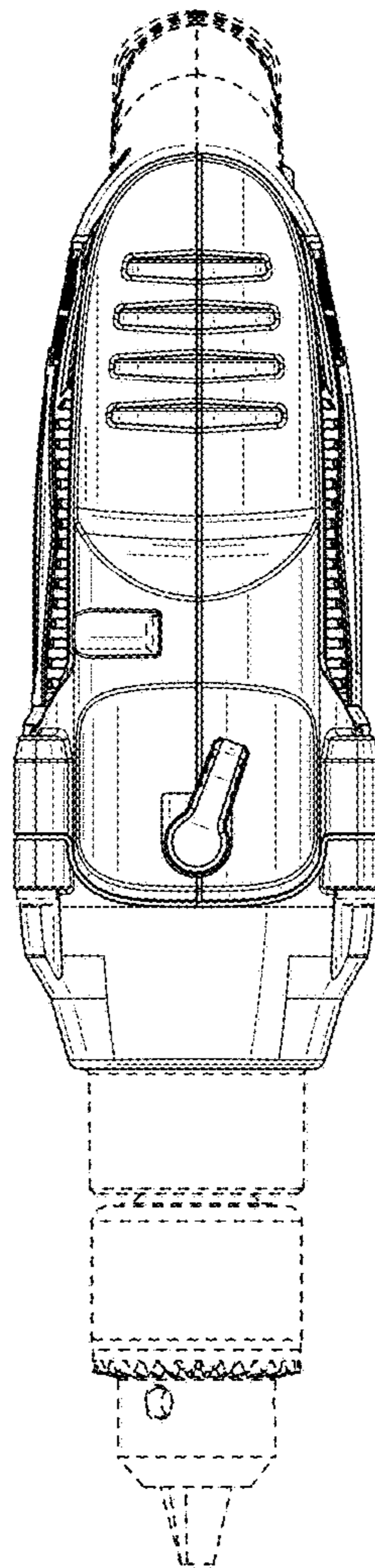


FIG. 6

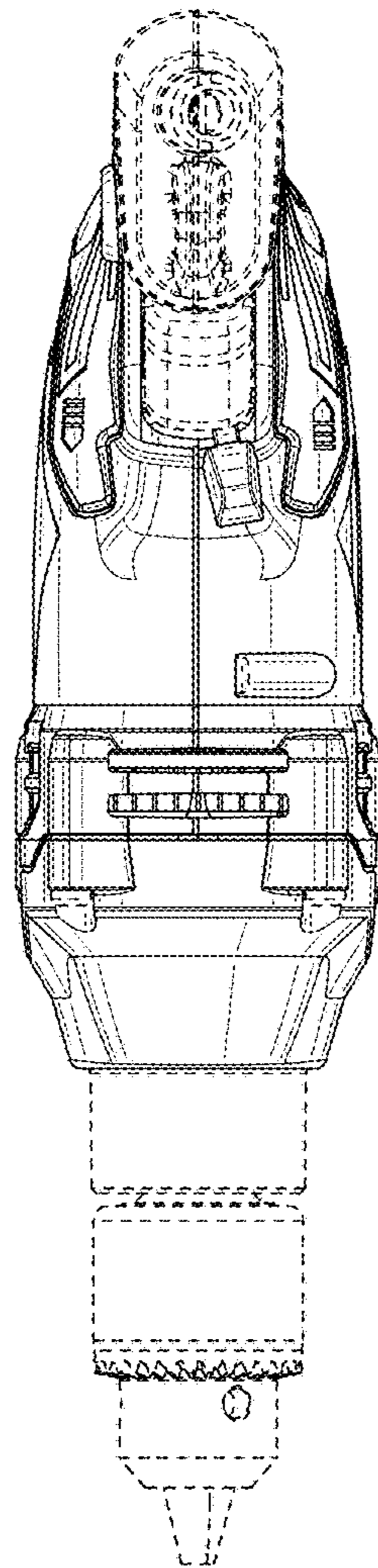


FIG. 7