



US00D859112S

(12) **United States Design Patent**
Gu et al.

(10) **Patent No.:** **US D859,112 S**

(45) **Date of Patent:** **** Sep. 10, 2019**

(54) **DRILL**

(71) Applicant: **BLACK & DECKER INC.**, New Britain, CT (US)

(72) Inventors: **Cheng Gang Gu**, Suzhou Jiang Su (CN); **Robert B. Schoch**, Baltimore, MD (US)

(73) Assignee: **Black & Decker Inc.**, New Britain, CT (US)

(**) Term: **15 Years**

(21) Appl. No.: **29/654,326**

(22) Filed: **Jun. 22, 2018**

(30) **Foreign Application Priority Data**

May 8, 2018 (CN) 2018 3 0204071

(51) **LOC (12) Cl.** **08-05**

(52) **U.S. Cl.**
USPC **D8/68**

(58) **Field of Classification Search**
USPC D8/61, 67, 68; 81/57, 57.11, 57.14, 81/57.26, 429, 464, 469; 173/2, 170, 173/176; 408/125, 124; 362/119
CPC B62D 23/005; B62D 29/00; B62D 29/043; B62D 31/00; B62D 33/046; B62D 35/00; B62D 35/001; B60Q 1/0005
See application file for complete search history.

(56) **References Cited**

U.S. PATENT DOCUMENTS

D642,038 S * 7/2011 Murray D8/68
D646,947 S * 10/2011 Lopano D8/68
D673,436 S * 1/2013 Murray D8/68

D673,437 S * 1/2013 Schoch D8/68
D675,500 S * 2/2013 Taniguchi D8/68
D682,650 S * 5/2013 Kawase D8/61
D685,244 S * 7/2013 Tirone D8/68
D700,821 S * 3/2014 Tschopp D8/68
D708,496 S * 7/2014 Zhou D8/68
D722,854 S * 2/2015 Beukema D8/68
D750,460 S * 3/2016 Miller D8/68
D775,920 S * 1/2017 Tirone D8/68
D775,921 S * 1/2017 Tirone D8/68
D839,707 S * 2/2019 Waldron D8/68
D845,732 S * 4/2019 Waldron D8/68

OTHER PUBLICATIONS

Pictures of Porter-Cable PCC601 20v Max 1/2 inch Cordless Drill/Drive <https://www.portercable.com/products/power-tools/drills-and-drivers/drills/20v-max-12-in-cordless-drilldrive/pcc6011b>—accessed on Aug. 28, 2018.

(Continued)

Primary Examiner — Austin Murphy

(74) *Attorney, Agent, or Firm* — Stephen R. Valancius

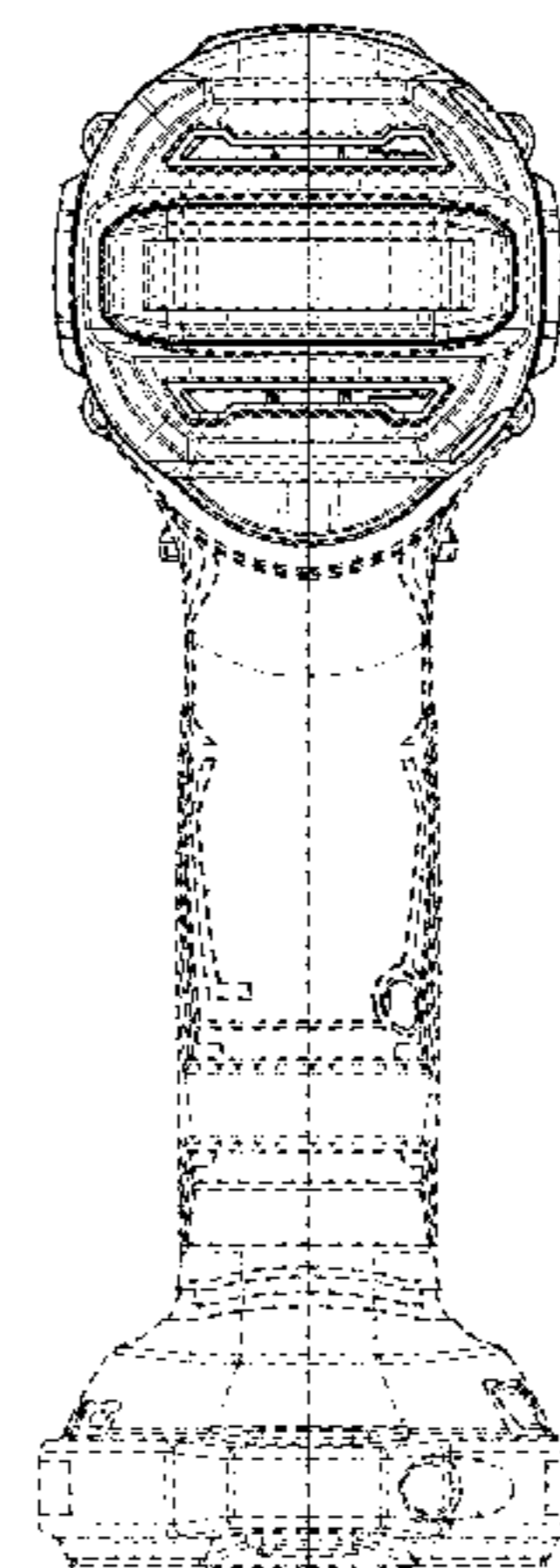
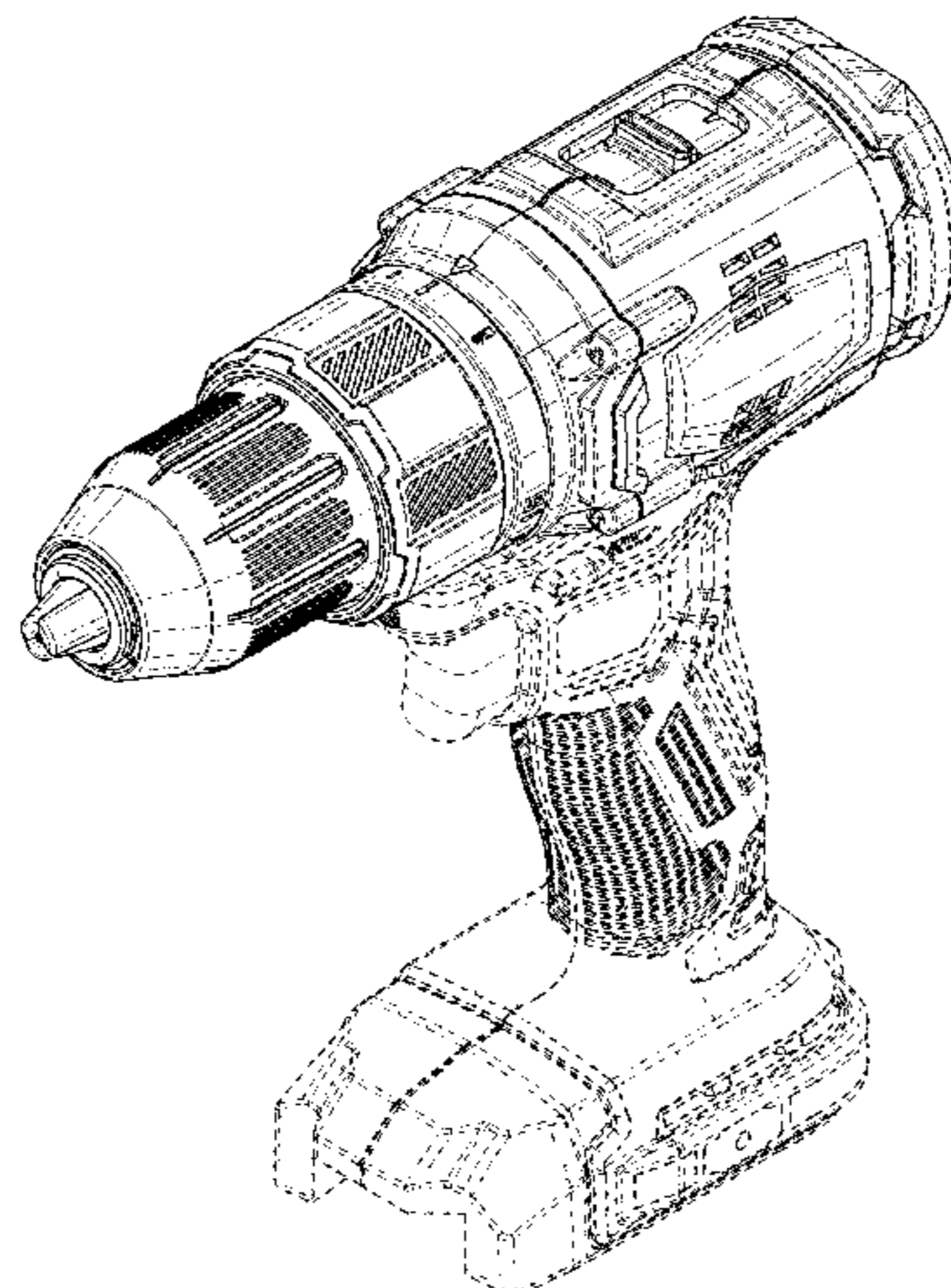
(57) **CLAIM**

The ornamental design for a drill, as shown and described.

DESCRIPTION

FIG. 1 is a perspective view of a drill showing my new design;
FIG. 2 is a left side view thereof;
FIG. 3 is a right side view thereof;
FIG. 4 is a front view thereof;
FIG. 5 is a rear view thereof;
FIG. 6 is a top plan view thereof; and,
FIG. 7 is a bottom plan view thereof.
In the above drawings, the broken lines and the areas within the broken lines form no part of the claimed design.

1 Claim, 7 Drawing Sheets



(56)

References Cited

OTHER PUBLICATIONS

Pictures of DeWalt 20v Max XR Li-Ion Brushless Compact Drill/Driver Kit—<https://www.dewalt.com/en-us/products/power-tools/drills/drills-and-hammer-drills/20v-max-xr-liion-brushless-compact-drill--driver-kit/dcd791d2> accessed on Aug. 28, 2018.

Pictures of DeWalt 20v Max XR Li-Ion Brushless Compact Hammerdrill—<https://www.dewalt.com/en-us/products/power-tools/connected-products/20v-max-xr-liion-brushless-compact-hammerdrill-with-bluetooth-battery-packs/dcd796d2bt> accessed on Aug. 28, 2018.

* cited by examiner

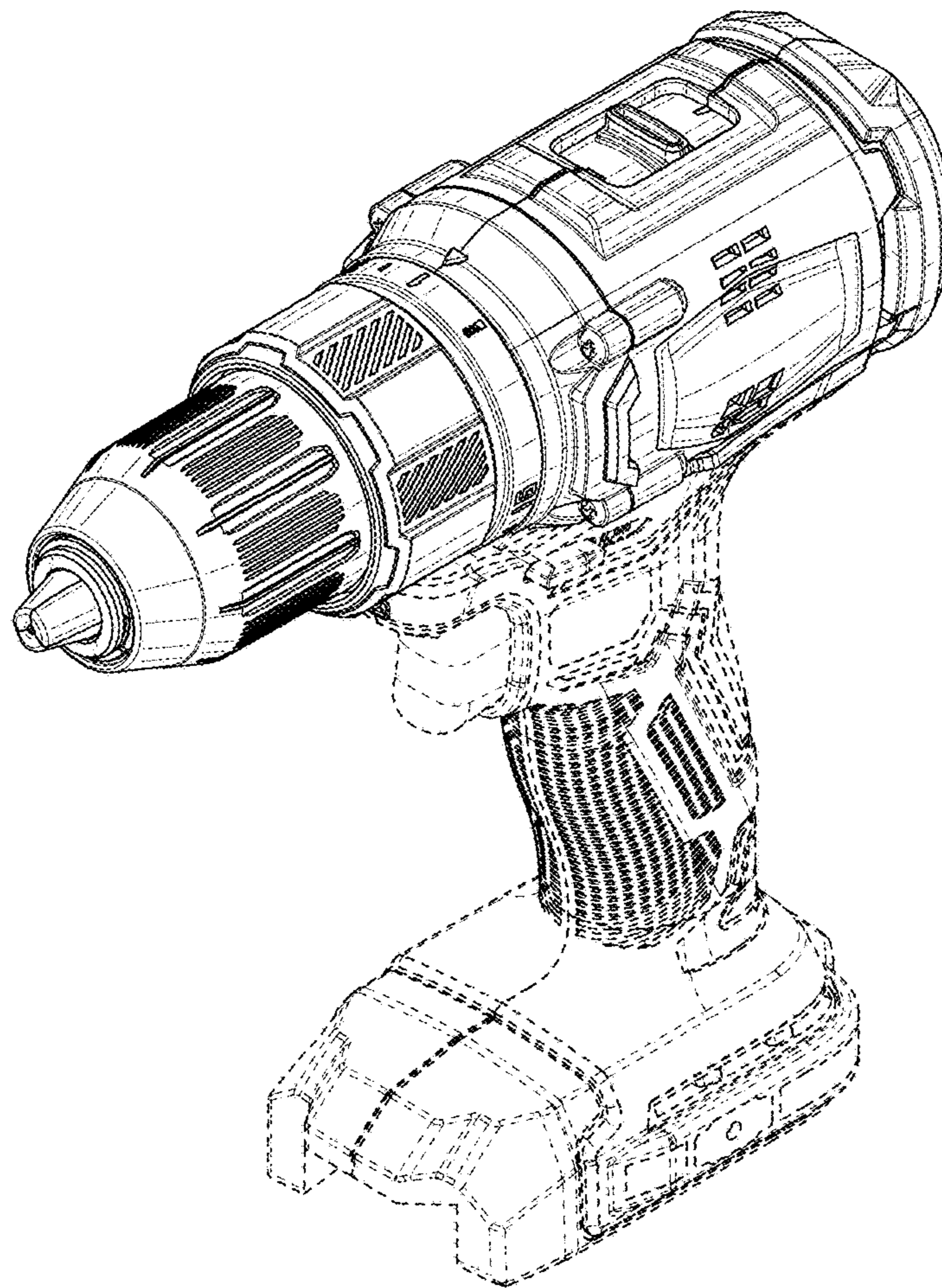


FIG. 1

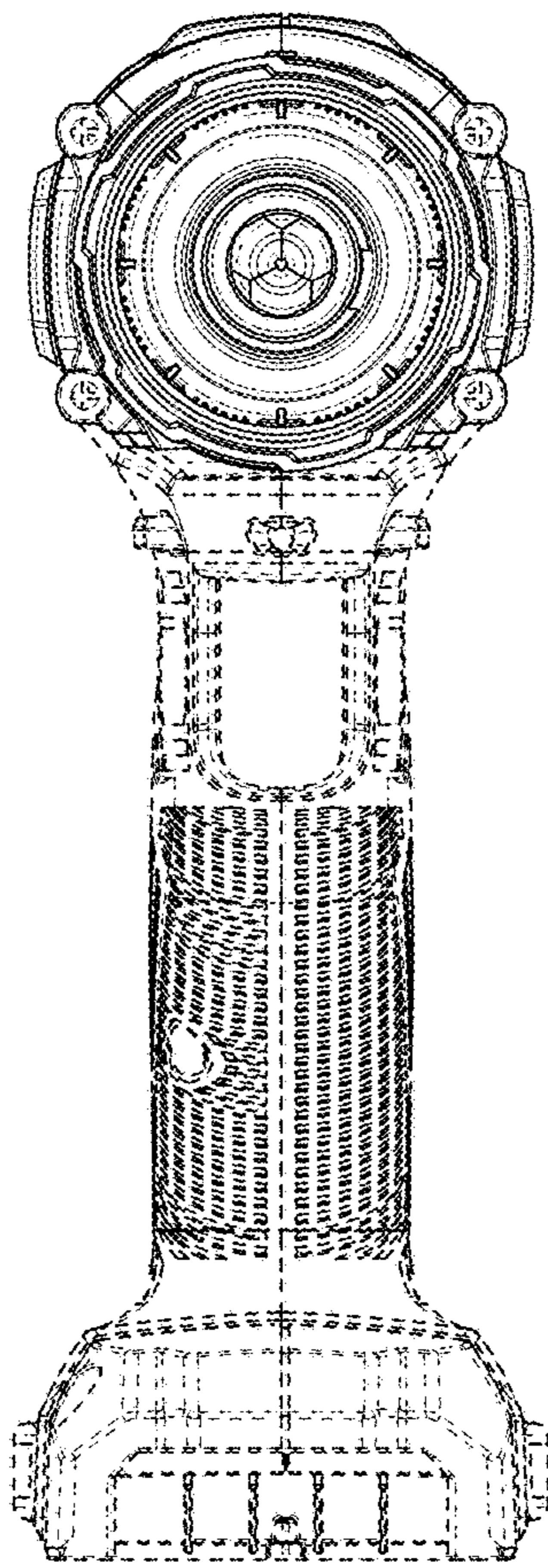


FIG. 2

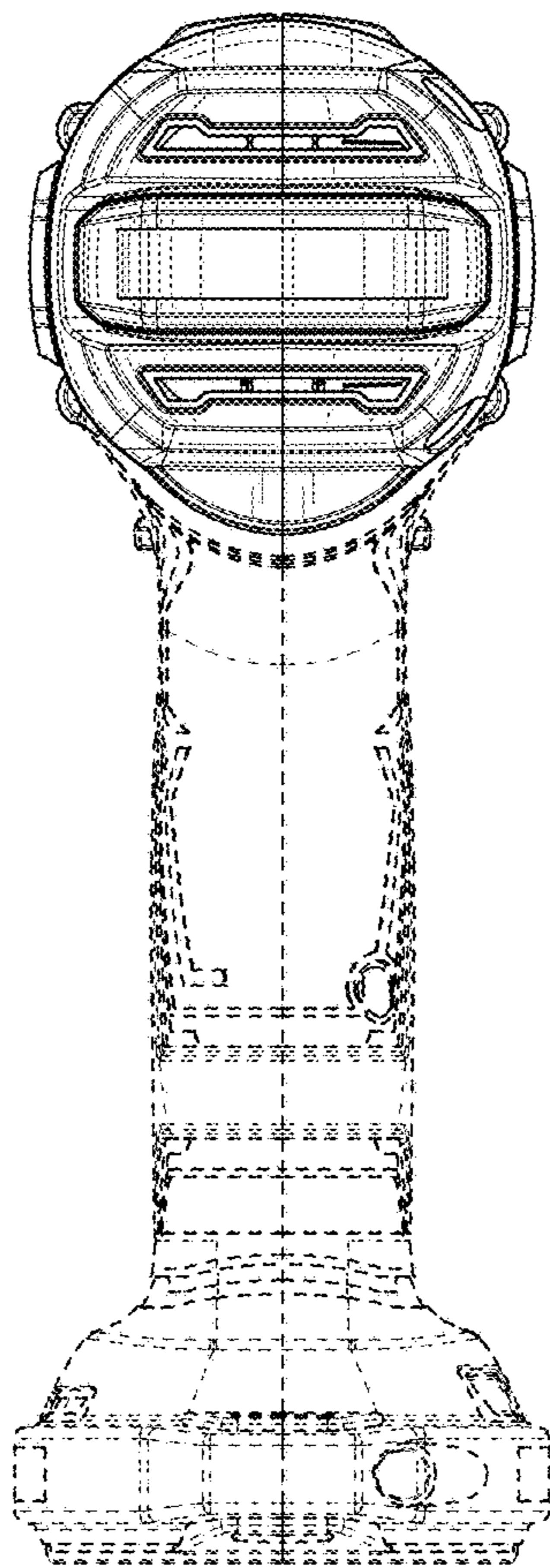


FIG. 3

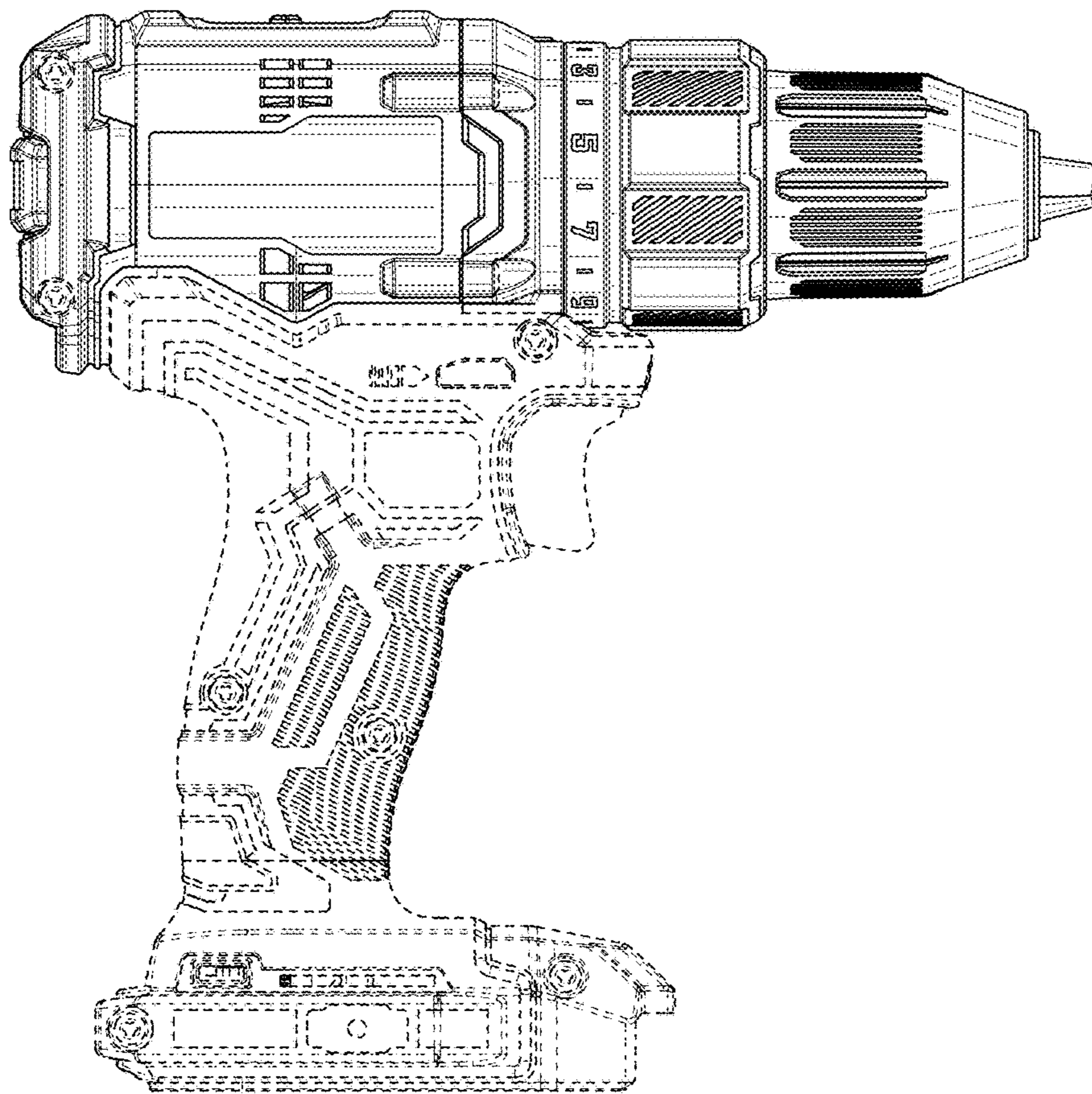


FIG. 4

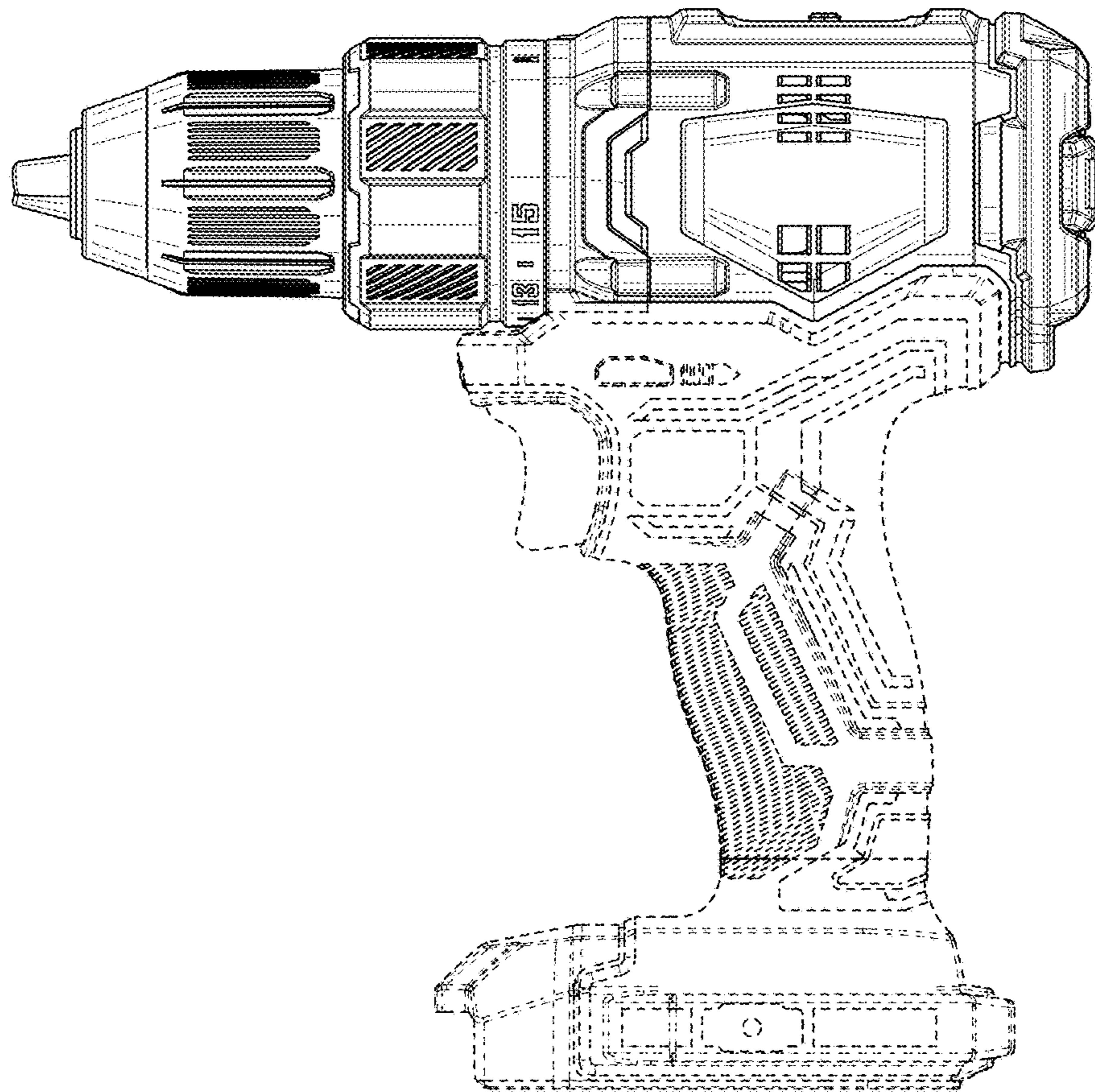


FIG. 5

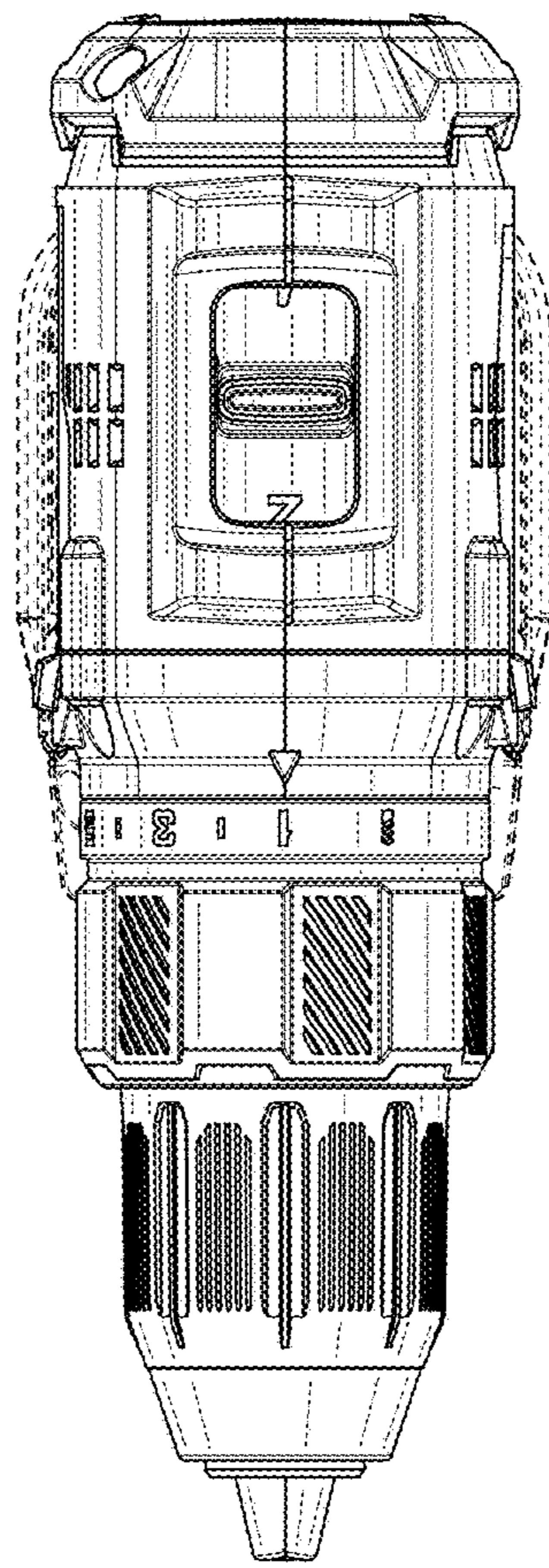


FIG. 6

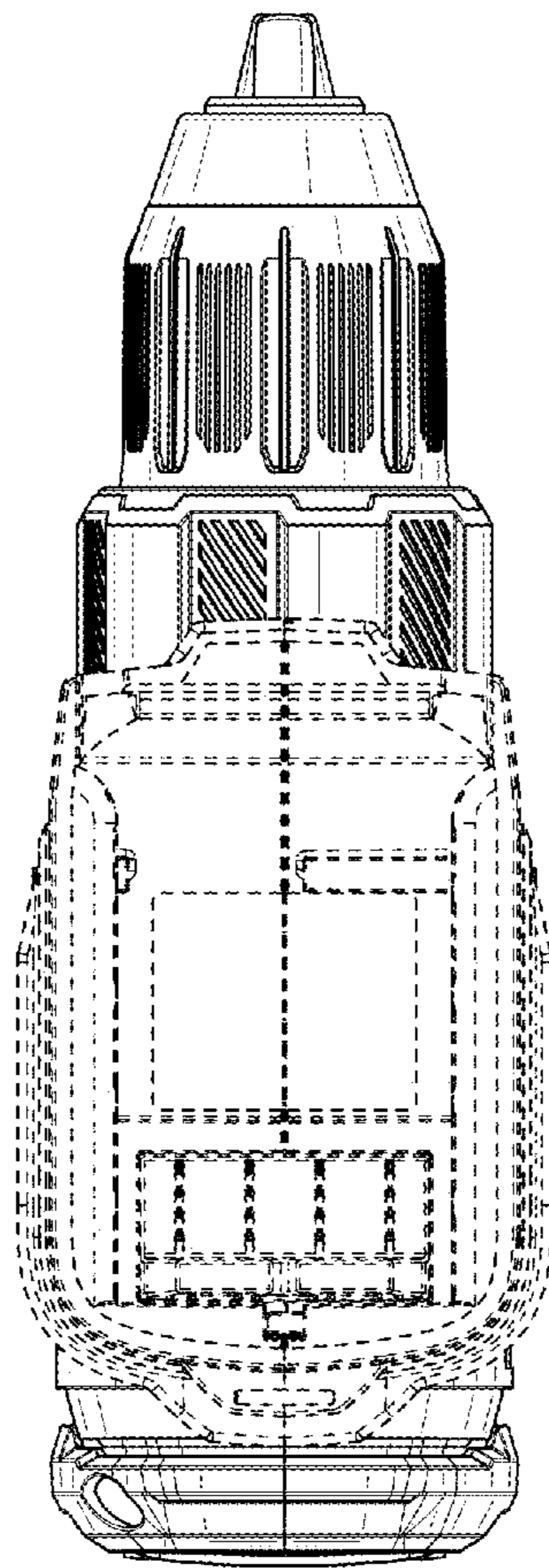


FIG. 7