



US00D859109S

(12) **United States Design Patent**
Wu

(10) **Patent No.:** **US D859,109 S**

(45) **Date of Patent:** **** Sep. 10, 2019**

- (54) **SOLDERING BIT**
- (71) Applicant: **Pro-Iroda Industries, Inc.**, Taichung (TW)
- (72) Inventor: **Wei Cheng Wu**, Taichung (TW)
- (73) Assignee: **Pro-Iroda Industries, Inc.**, Taichung (TW)
- (**) Term: **15 Years**
- (21) Appl. No.: **29/683,021**
- (22) Filed: **Mar. 11, 2019**
- (51) **LOC (12) Cl.** **08-05**
- (52) **U.S. Cl.**
USPC **D8/30; D15/144**
- (58) **Field of Classification Search**
USPC 8/14, 14.1, 29.1-29.2, 30, 105; D15/144, D15/144.1, 144.2
CPC . B23K 3/025; B23K 2101/20; B23K 2101/34
See application file for complete search history.

(56) **References Cited**

U.S. PATENT DOCUMENTS

- 134,923 A * 1/1873 Norton B23K 3/025
228/55
- 371,534 A * 10/1887 Mylander B23K 3/025
228/55
- 1,427,770 A * 9/1922 Austin B23K 3/025
228/55
- 1,988,827 A * 1/1935 Bennett B23K 3/0338
16/431
- 2,120,708 A * 6/1938 Matthews B23K 3/025
228/54
- 2,126,559 A * 8/1938 Kirkpatrick B23K 3/025
228/54
- 2,356,583 A * 8/1944 Hampton B23K 3/025
205/149

- 3,125,055 A * 3/1964 Lerner B23K 3/02
228/54
- 3,315,350 A * 4/1967 Kent B23K 3/025
205/149
- 3,662,152 A * 5/1972 Weller B23K 3/025
219/238
- D255,318 S * 6/1980 Bakkeren 156/580.1
- D271,741 S * 12/1983 Riccio D8/30
- 4,424,930 A * 1/1984 Wilhelmson B23K 3/025
205/118
- D322,019 S * 12/1991 Cox D8/14
- D327,825 S * 7/1992 Oglesby D8/30
- 5,217,154 A * 6/1993 Elwood B23K 3/025
228/4.5
- D341,301 S * 11/1993 Noelck D8/14.1
- D660,668 S * 5/2012 Miyazaki D8/30
- D697,956 S * 1/2014 Davis D15/144
- D821,468 S * 6/2018 Alfaro D15/144

(Continued)

Primary Examiner — Patricia A Palasik

(74) *Attorney, Agent, or Firm* — Alan D. Kamrath; Mayer & Williams PC

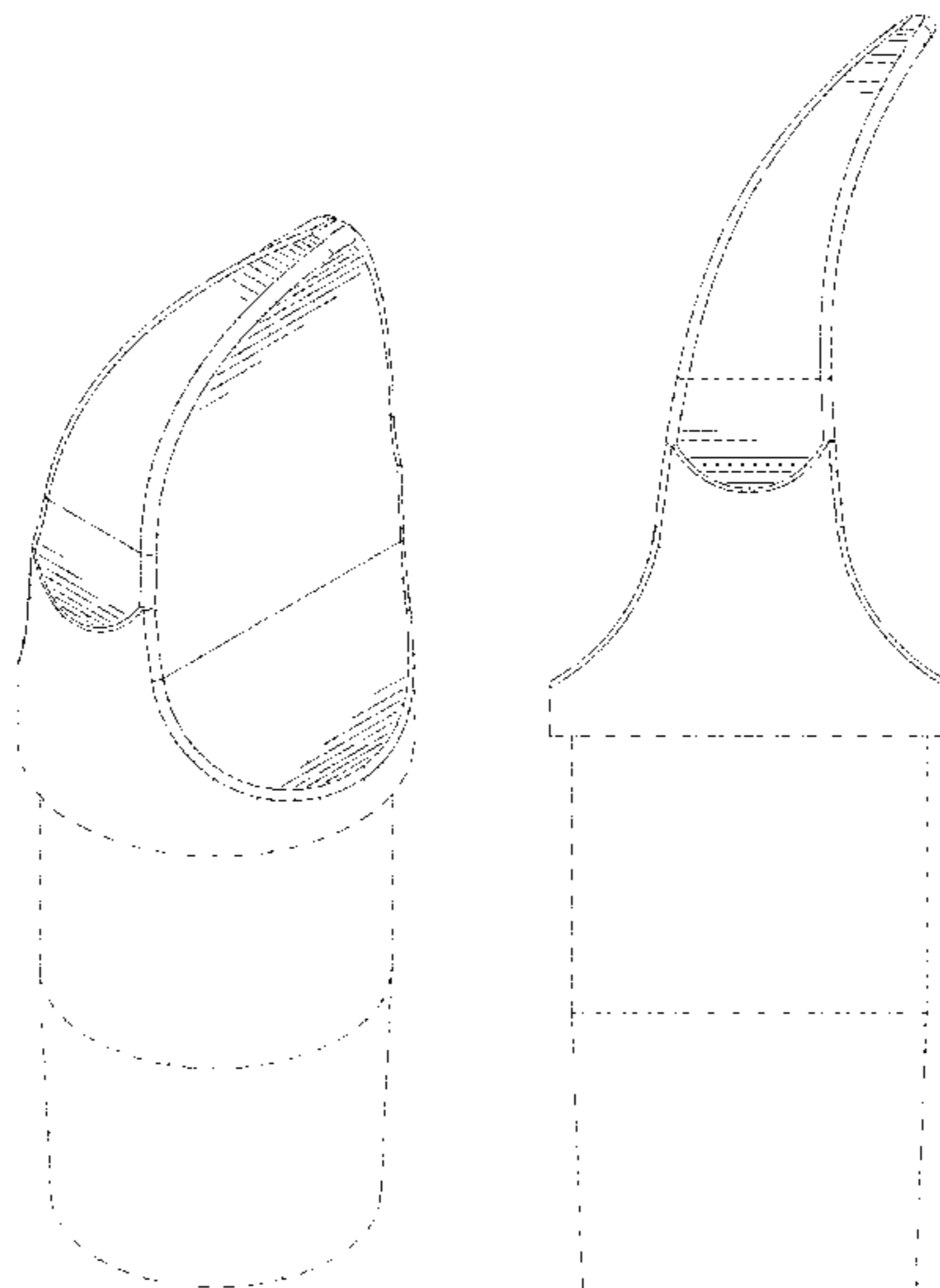
(57) **CLAIM**

The ornamental design for a soldering bit, as shown and described.

DESCRIPTION

FIG. 1 is a perspective view of a soldering bit showing my new design;
 FIG. 2 is a front view thereof;
 FIG. 3 is a rear view thereof;
 FIG. 4 is a left view thereof;
 FIG. 5 is a right view thereof;
 FIG. 6 is a top view thereof; and,
 FIG. 7 is a bottom view thereof.
 The broken lines depict portions of the soldering bit in which the design is embodied that are not considered part of the claimed design.

1 Claim, 7 Drawing Sheets



(56)

References Cited

U.S. PATENT DOCUMENTS

10,005,147 B2 * 6/2018 Zerweck B23K 3/0369
2016/0325371 A1 * 11/2016 Zerweck B23K 3/0369

* cited by examiner

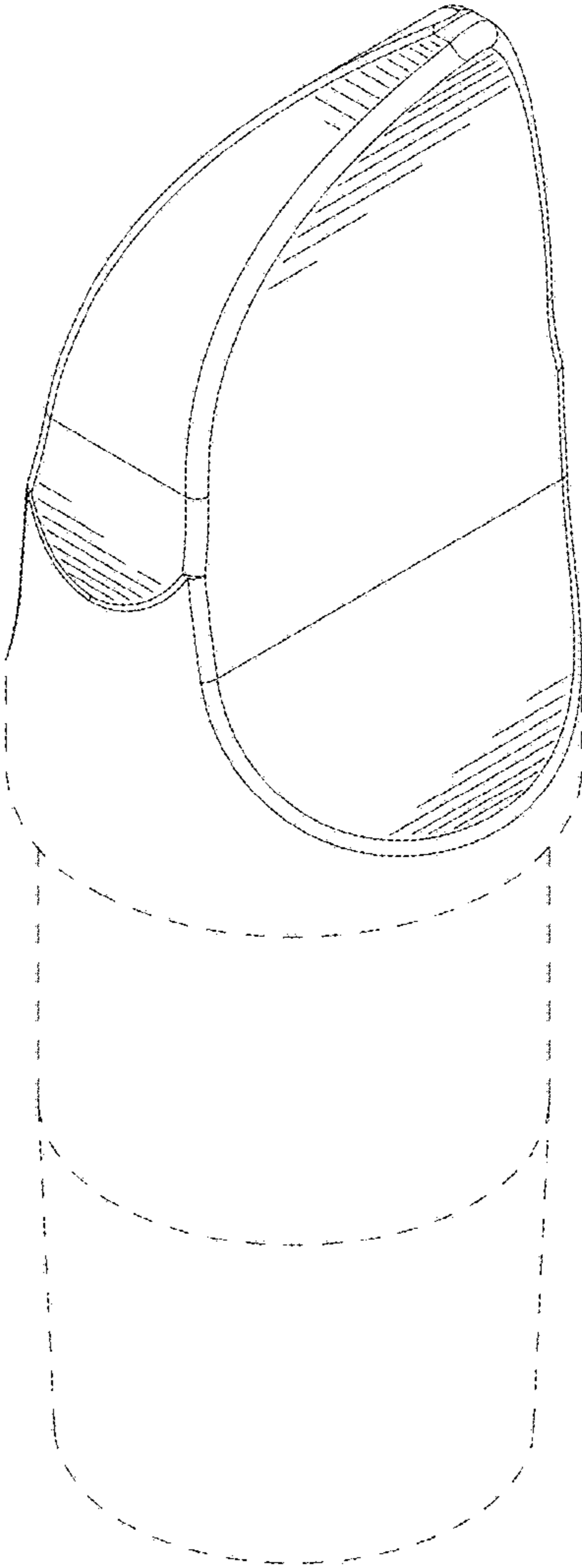


FIG. 1

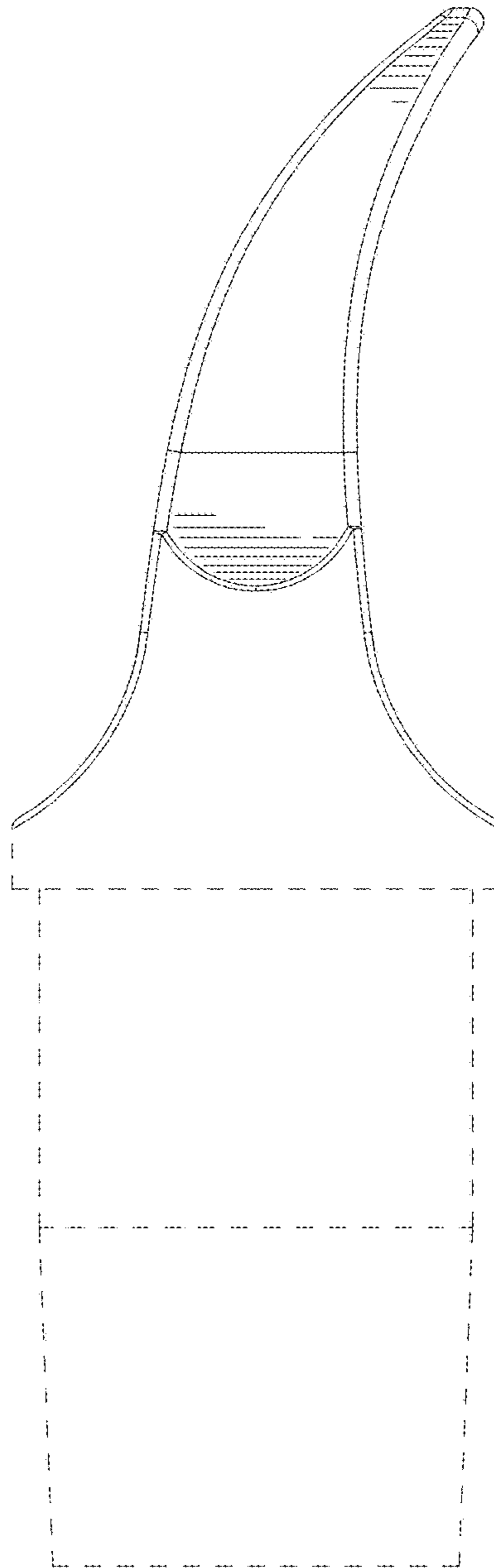


FIG. 2

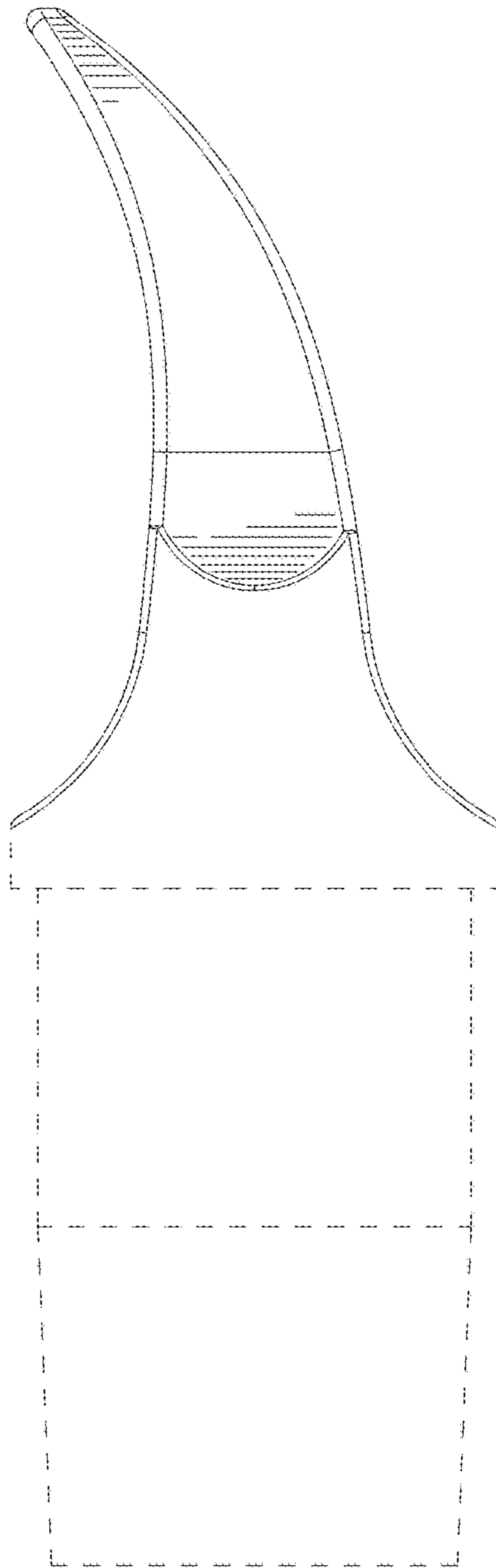


FIG. 3

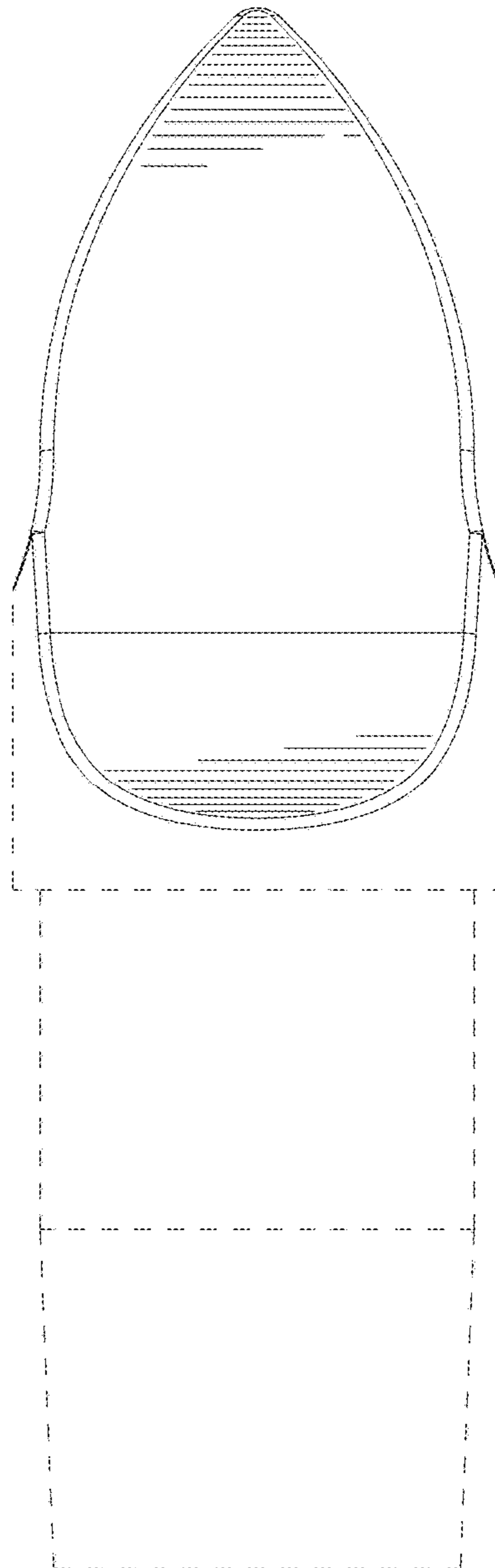


FIG. 4

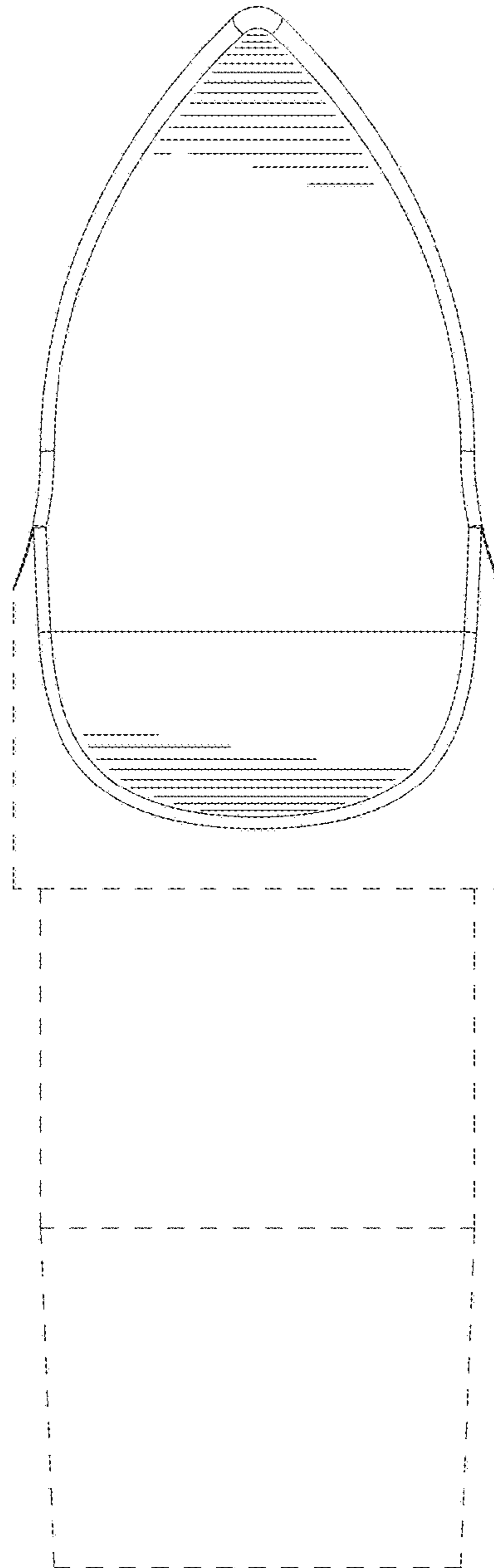


FIG. 5

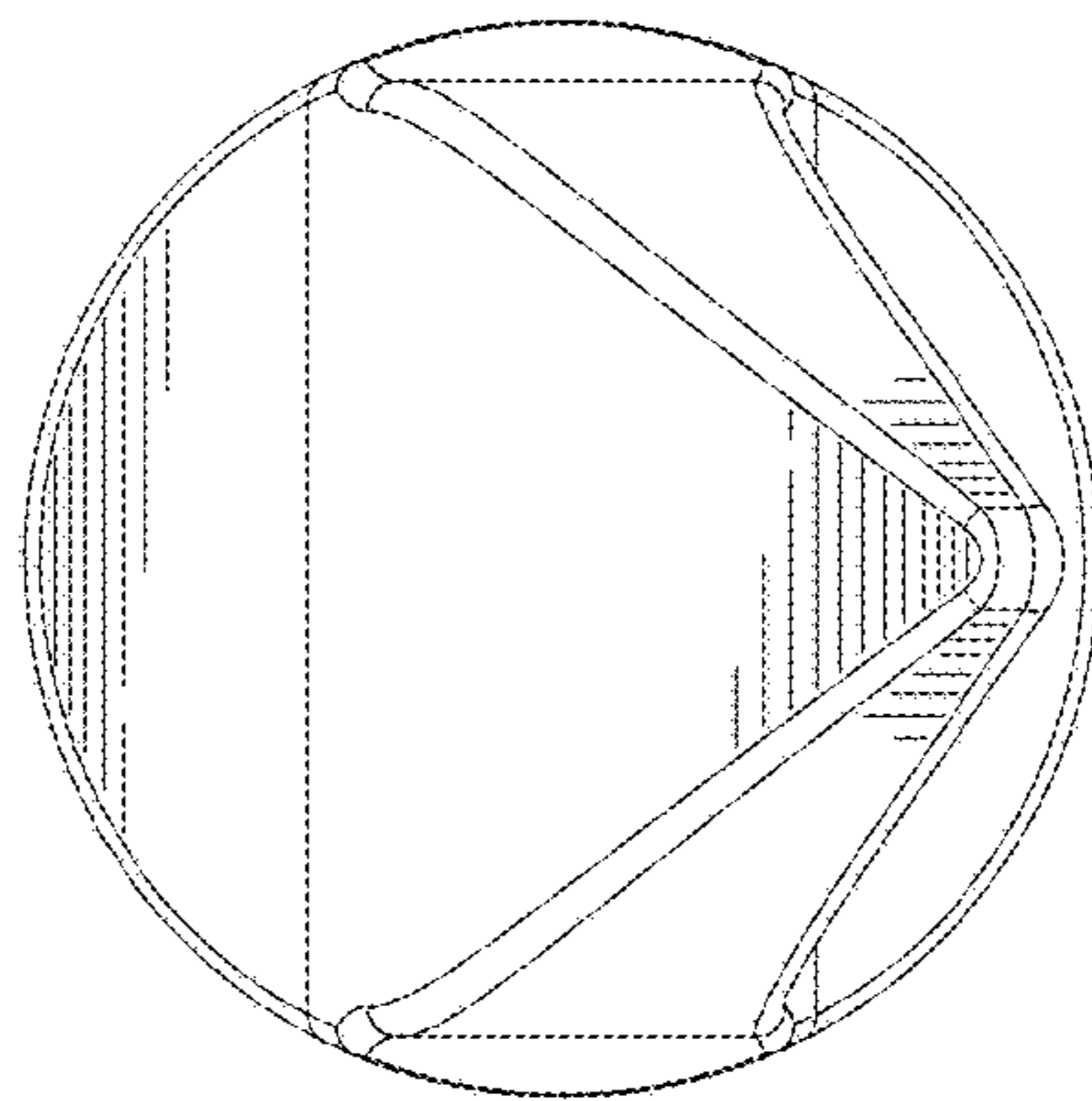


FIG. 6

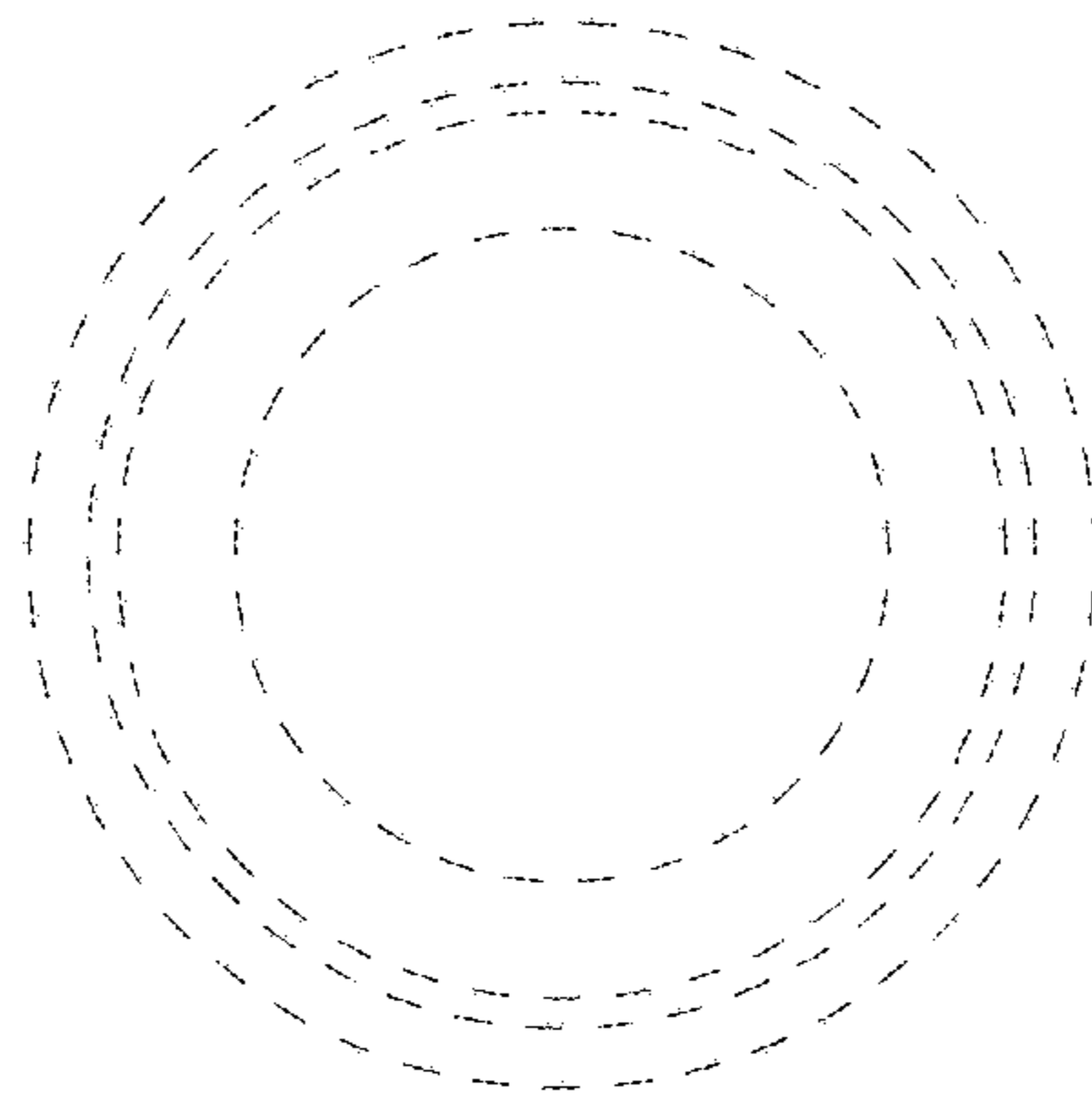


FIG. 7