



US00D859104S

(12) **United States Design Patent**
Yu

(10) **Patent No.:** **US D859,104 S**
(45) **Date of Patent:** **** Sep. 10, 2019**

(54) **RATCHET WRENCH**

(71) Applicant: **Ting-Ho Yu**, Taichung (TW)

(72) Inventor: **Ting-Ho Yu**, Taichung (TW)

(**) Term: **15 Years**

(21) Appl. No.: **29/631,144**

(22) Filed: **Dec. 27, 2017**

(51) **LOC (12) Cl.** **08-05**

(52) **U.S. Cl.**
USPC **D8/25**

(58) **Field of Classification Search**
USPC D8/25, 60, 97, 107; 81/177.1, 177.85,
81/121.1, 124.3, 165-170, 110.1, 176.2,
81/124.6, 176.1, 176.15, 177.2, 186, 467,
81/476, 478, 480; 16/110.1; 192/44, 45,
192/54.52; D24/133, 145, 147; 606/54,
606/59, 62, 63, 60, 64
CPC .. B25G 1/00; B25B 1/00; B25B 13/00; B25B
23/00
See application file for complete search history.

(56) **References Cited**

U.S. PATENT DOCUMENTS

D336,225 S * 6/1993 Lin D8/25
6,067,881 A * 5/2000 Albertson B25B 13/462
192/44

6,216,567 B1 * 4/2001 Hu B25G 1/063
81/177.6
8,397,605 B1 * 3/2013 Kao B25B 13/463
81/58.1
8,424,421 B1 * 4/2013 Woo B25B 13/10
81/155
D687,689 S * 8/2013 Lai D8/25

* cited by examiner

Primary Examiner — Randall H Gholson

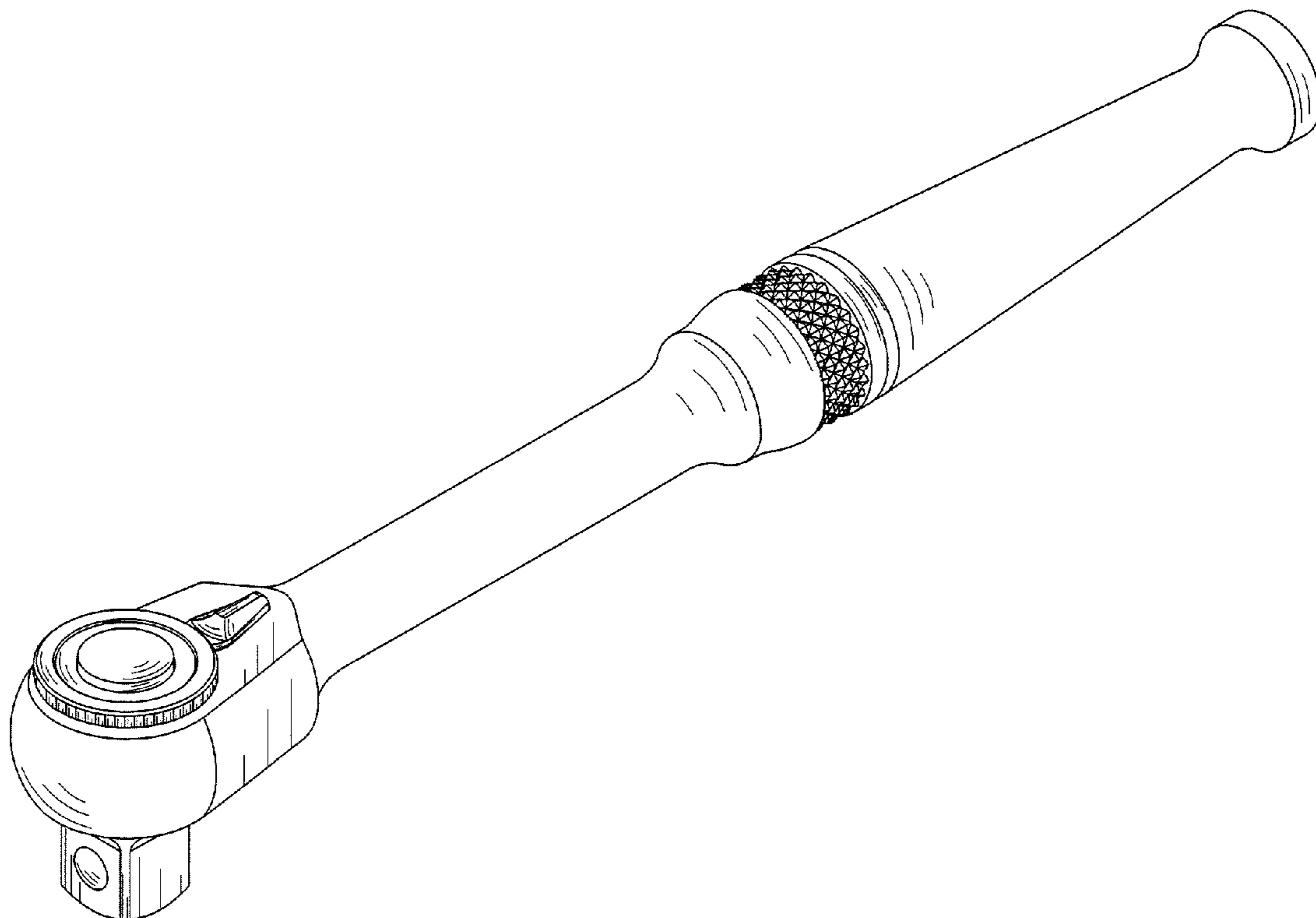
(57) **CLAIM**

The ornamental design for a ratchet wrench, as shown and described.

DESCRIPTION

FIG. 1 is a perspective view of an embodiment of the ratchet wrench showing my new design;
FIG. 2 is a front elevation view of the ratchet wrench of FIG. 1;
FIG. 3 is a rear elevation view of the ratchet wrench of FIG. 1;
FIG. 4 is a left side elevation view of the ratchet wrench of FIG. 1;
FIG. 5 is a right side elevation view of the ratchet wrench of FIG. 1;
FIG. 6 is a top plan view of the ratchet wrench of FIG. 1; and,
FIG. 7 is a bottom plan view of the ratchet wrench of FIG. 1.

1 Claim, 4 Drawing Sheets



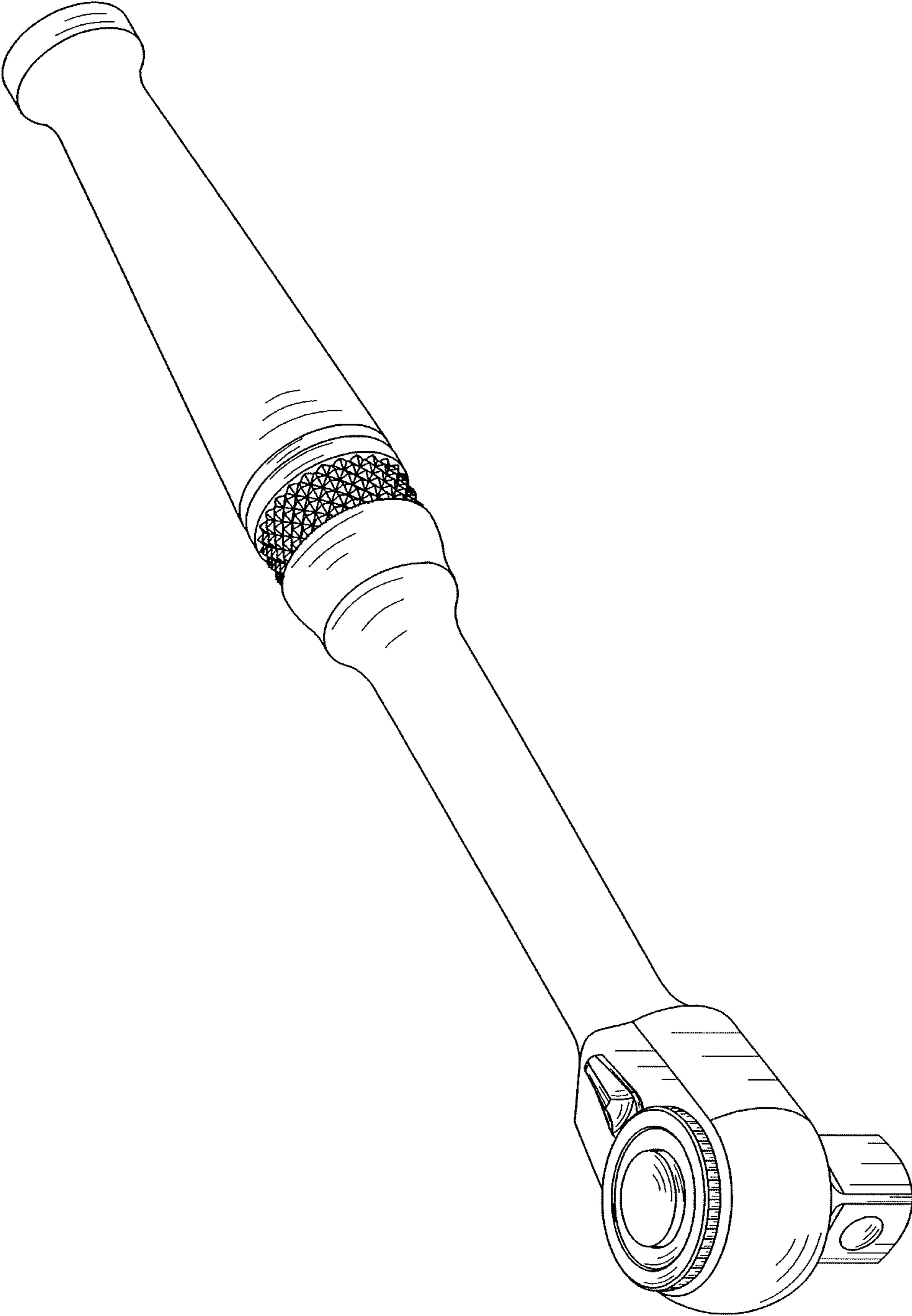


FIG.1

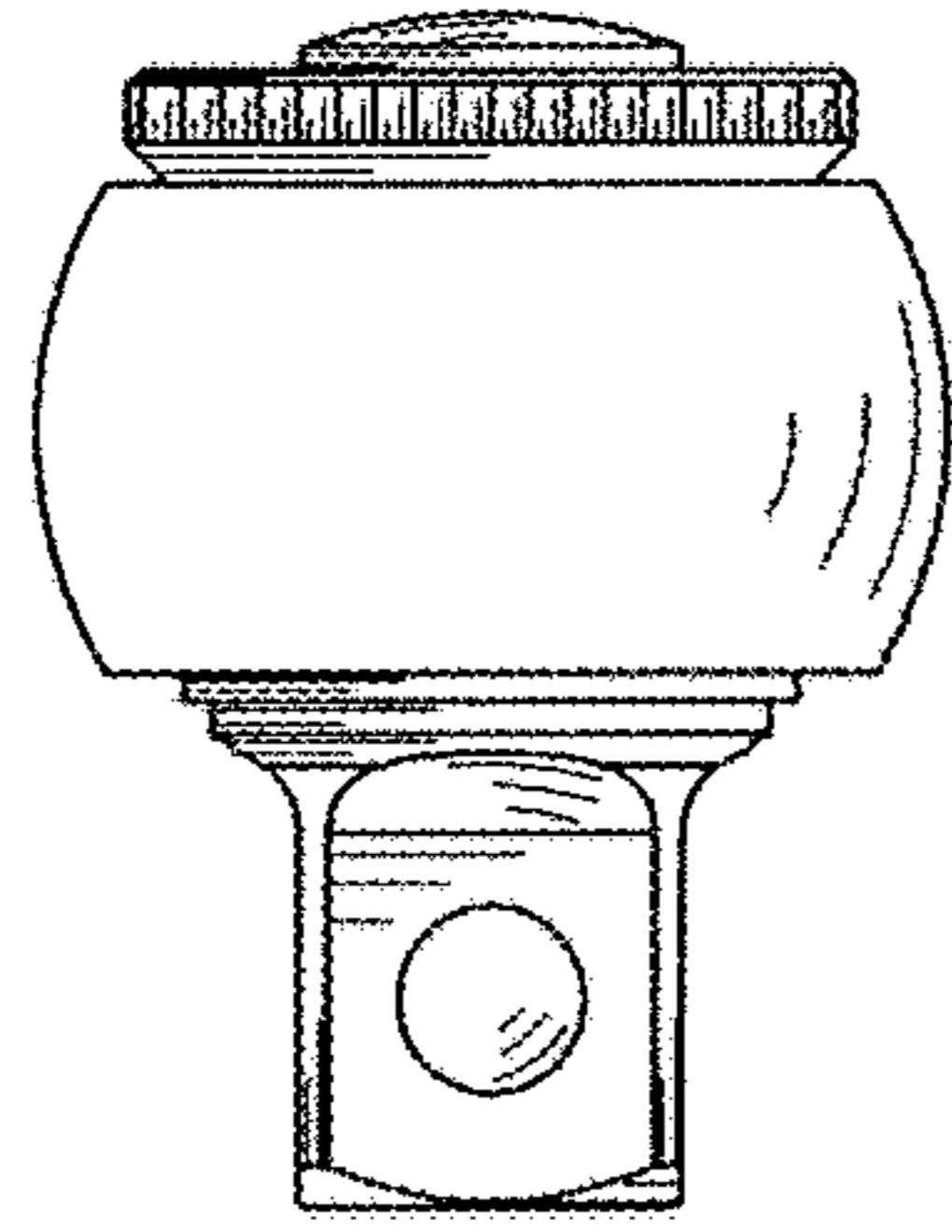


FIG.2

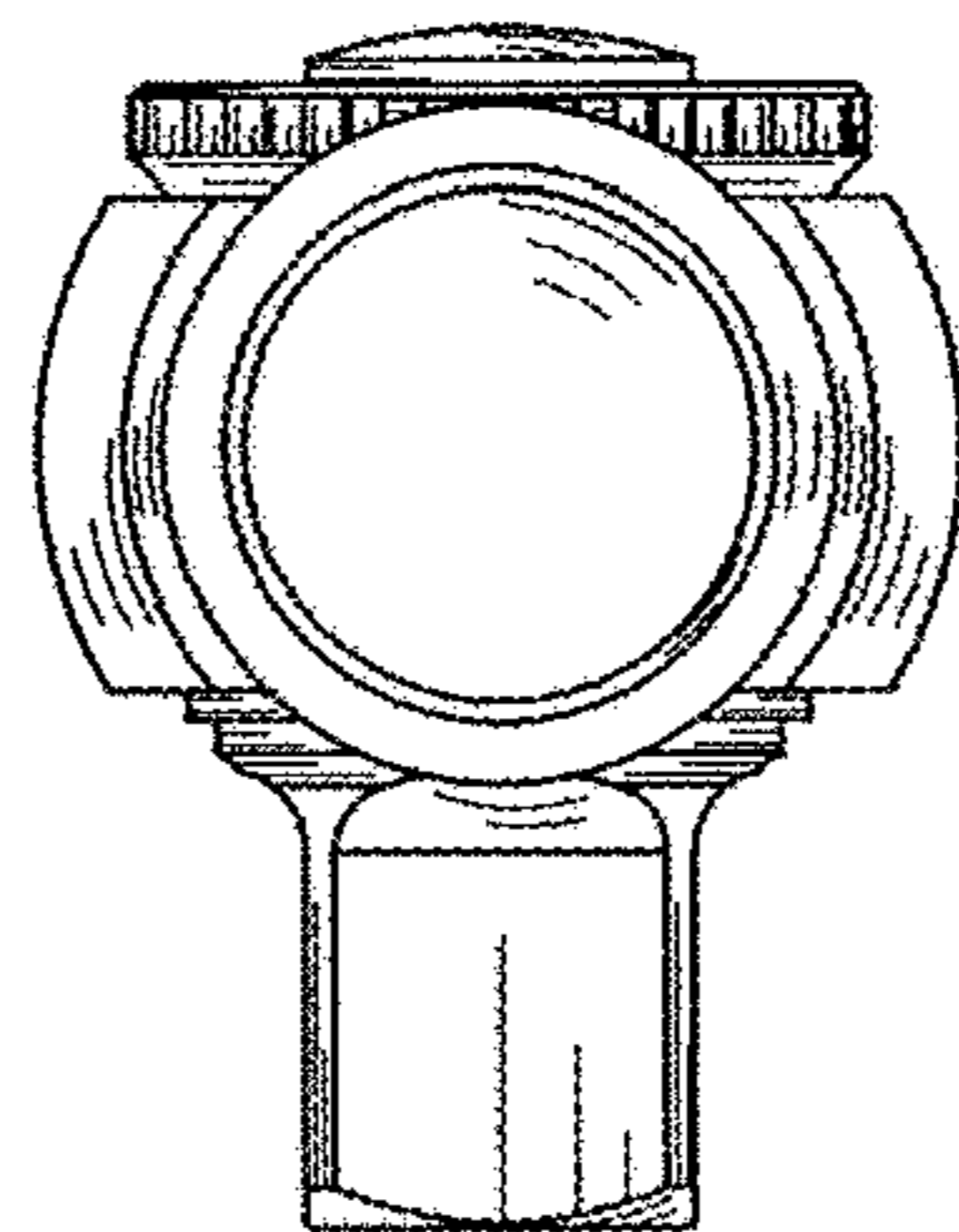


FIG.3

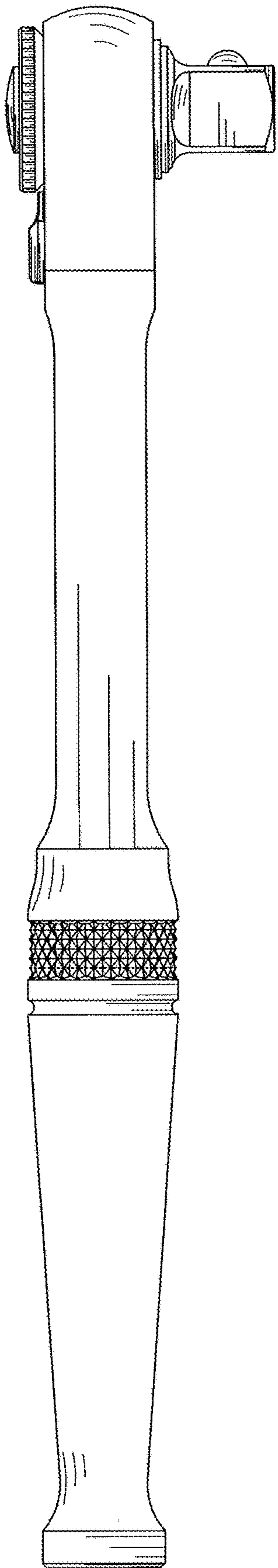


FIG. 4

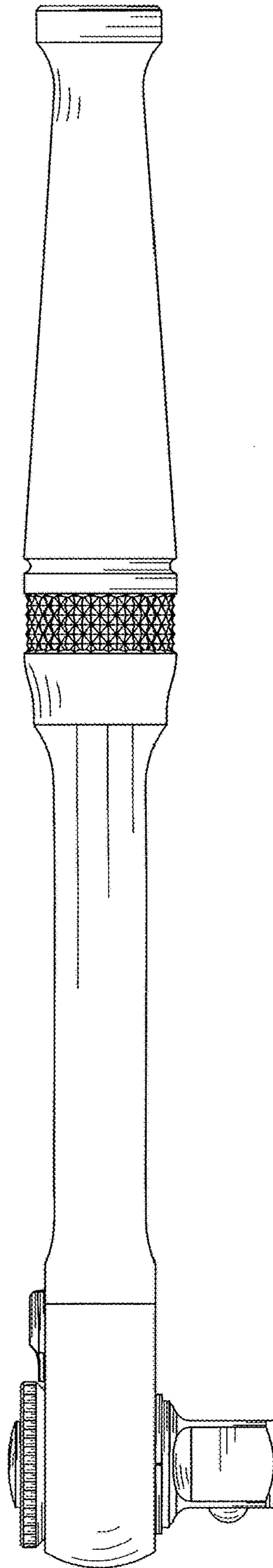


FIG. 5

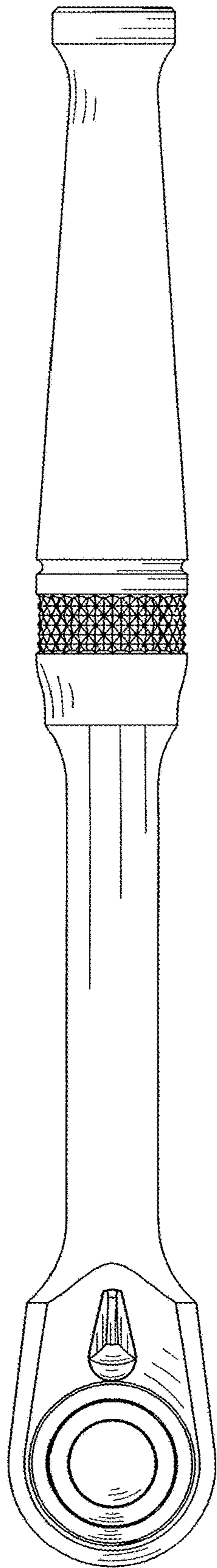


FIG. 6

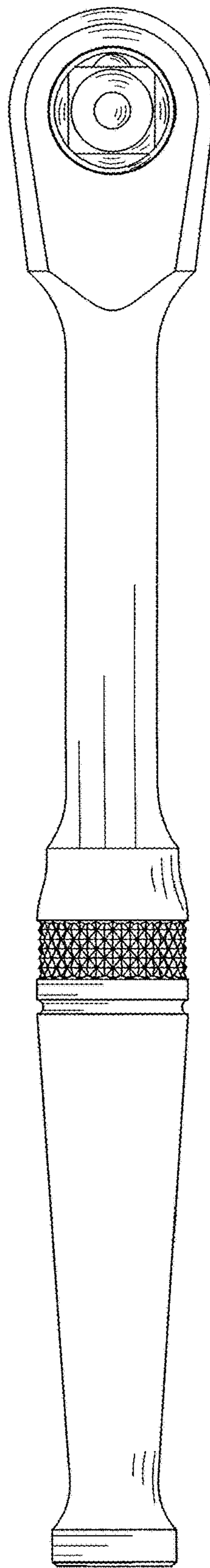


FIG. 7