



US00D859098S

(12) **United States Design Patent**
Lasci

(10) **Patent No.:** **US D859,098 S**

(45) **Date of Patent:** **** Sep. 10, 2019**

(54) **FINGER PIECE PRUNER**

6,298,489 B1 * 10/2001 Cox A41D 19/01594

2/160

D726,514 S * 4/2015 Mayer D8/1

(71) Applicant: **Robyn Lasci**, Sudbury (CA)

* cited by examiner

(72) Inventor: **Robyn Lasci**, Sudbury (CA)

Primary Examiner — Sheryl Lane

(**) Term: **15 Years**

(74) *Attorney, Agent, or Firm* — Lorelei G. Graham

(21) Appl. No.: **29/600,576**

(57) **CLAIM**

I claim the ornamental design for a finger piece pruner, as shown and described.

(22) Filed: **Apr. 13, 2017**

DESCRIPTION

(51) **LOC (12) Cl.** **08-01**

FIG. 1 is a front perspective view of the finger piece pruner.

(52) **U.S. Cl.**

FIG. 2 is a back view of the finger piece pruner.

USPC **D8/3**

FIG. 3 is a left side view of the finger piece pruner.

(58) **Field of Classification Search**

FIG. 4 is a right side view of the finger piece pruner.

USPC D8/1, 5, 3

FIG. 5 is a top view of the finger piece pruner.

CPC A41D 19/00; A41D 19/015

FIG. 6 is a bottom view of the finger piece pruner.

See application file for complete search history.

FIG. 7 is a front view of the finger piece pruner.

FIG. 8 is a front perspective view of the finger piece pruner in an extended view.

(56) **References Cited**

FIG. 9 is a front view of the finger piece pruner in an extended view.

U.S. PATENT DOCUMENTS

FIG. 10 is a left side view of the finger piece pruner in an extended view.

1,559,839 A * 11/1925 Asher A01D 46/247

172/370

FIG. 11 is a right side view of the finger piece pruner in an extended view; and,

D208,045 S * 7/1967 Torongo 30/258

3,593,803 A * 7/1971 Ibach A01B 1/00

172/10

FIG. 12 is a back view of the finger piece pruner in an extended view.

D237,249 S * 10/1975 Gendron D8/3

D263,917 S * 4/1982 McCulley D7/693

4,339,878 A * 7/1982 Tozzi B26B 27/007

30/291ke

The broken lines represent portions of the pruner and form no part of the claimed design.

1 Claim, 4 Drawing Sheets

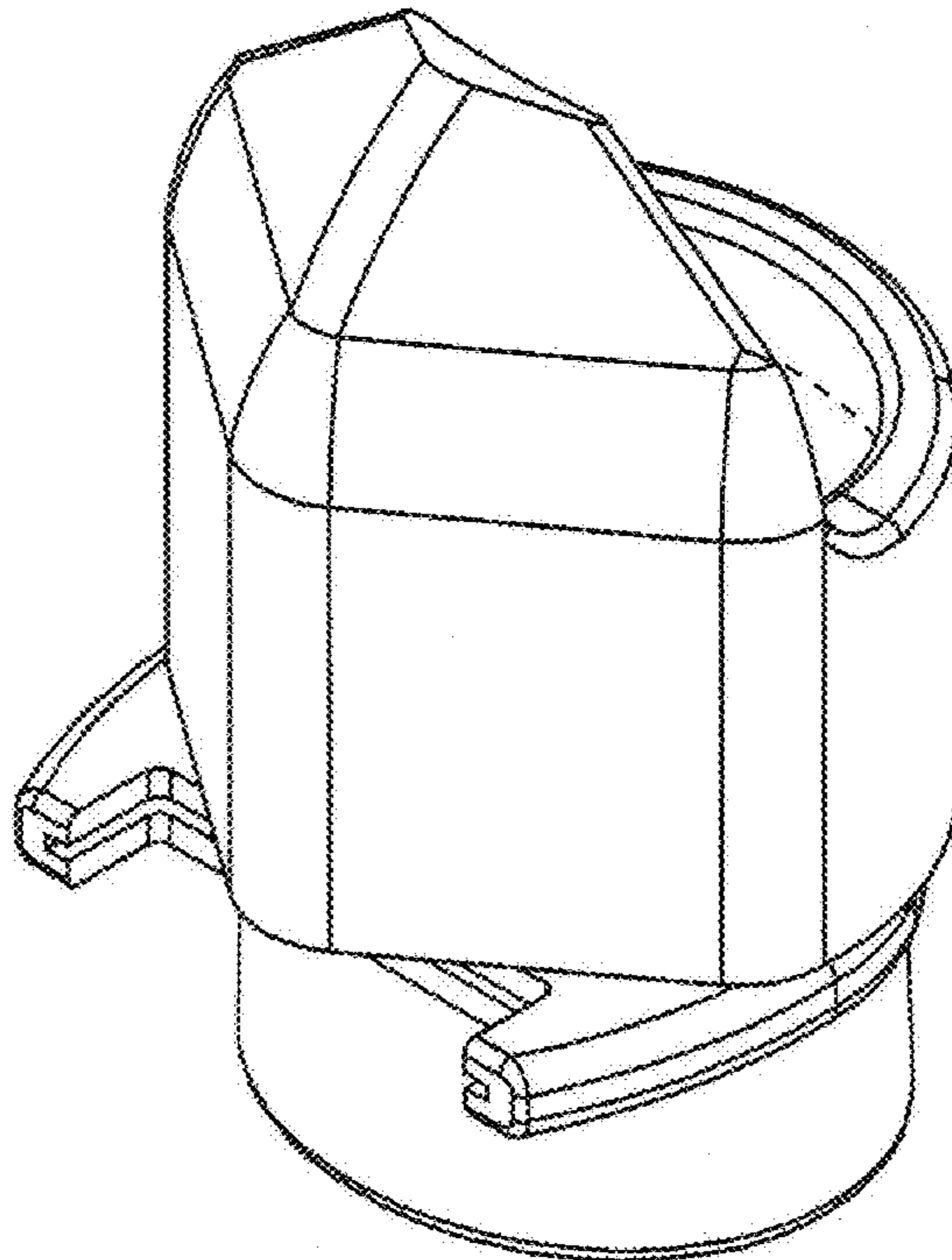


Fig. 1

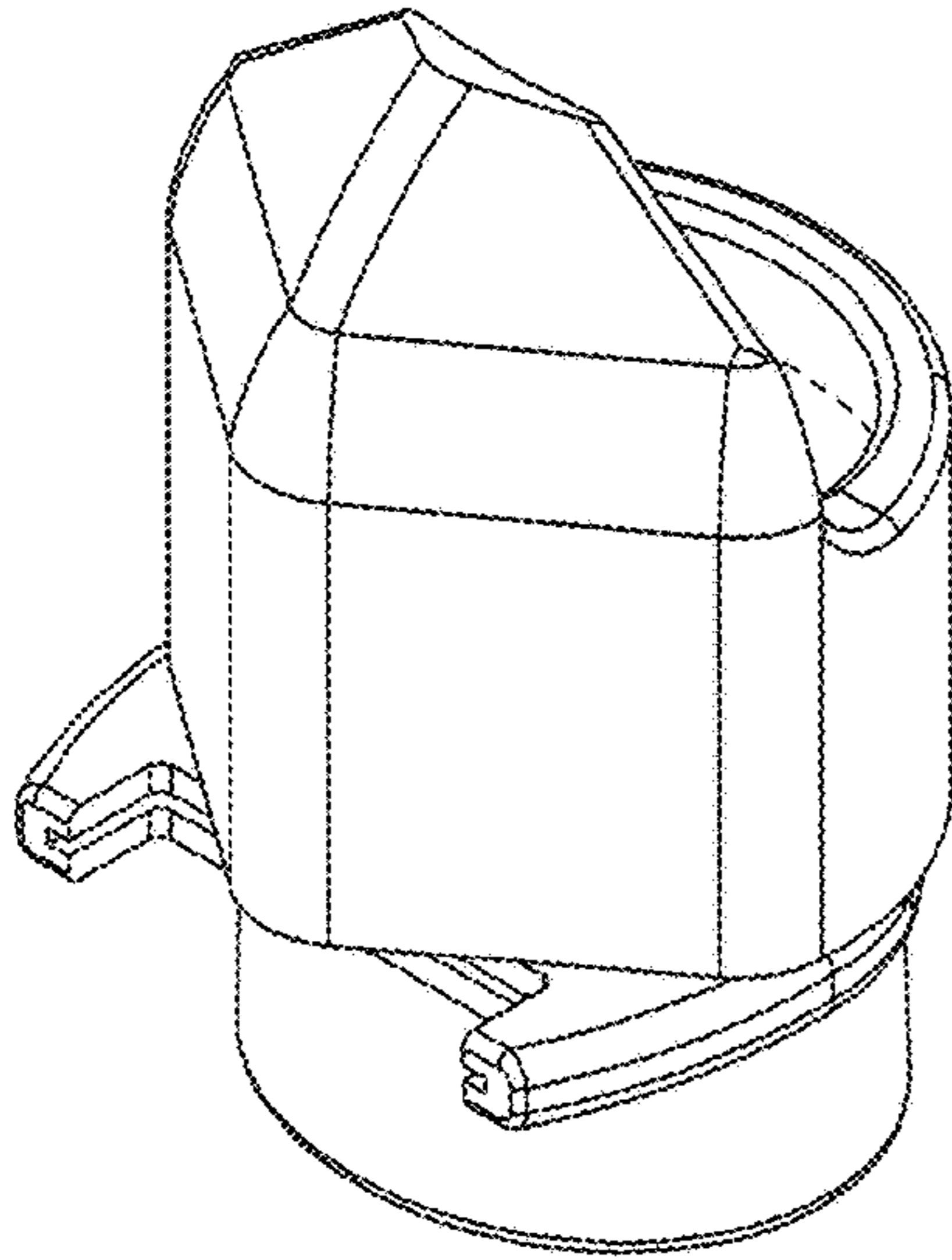


Fig. 2

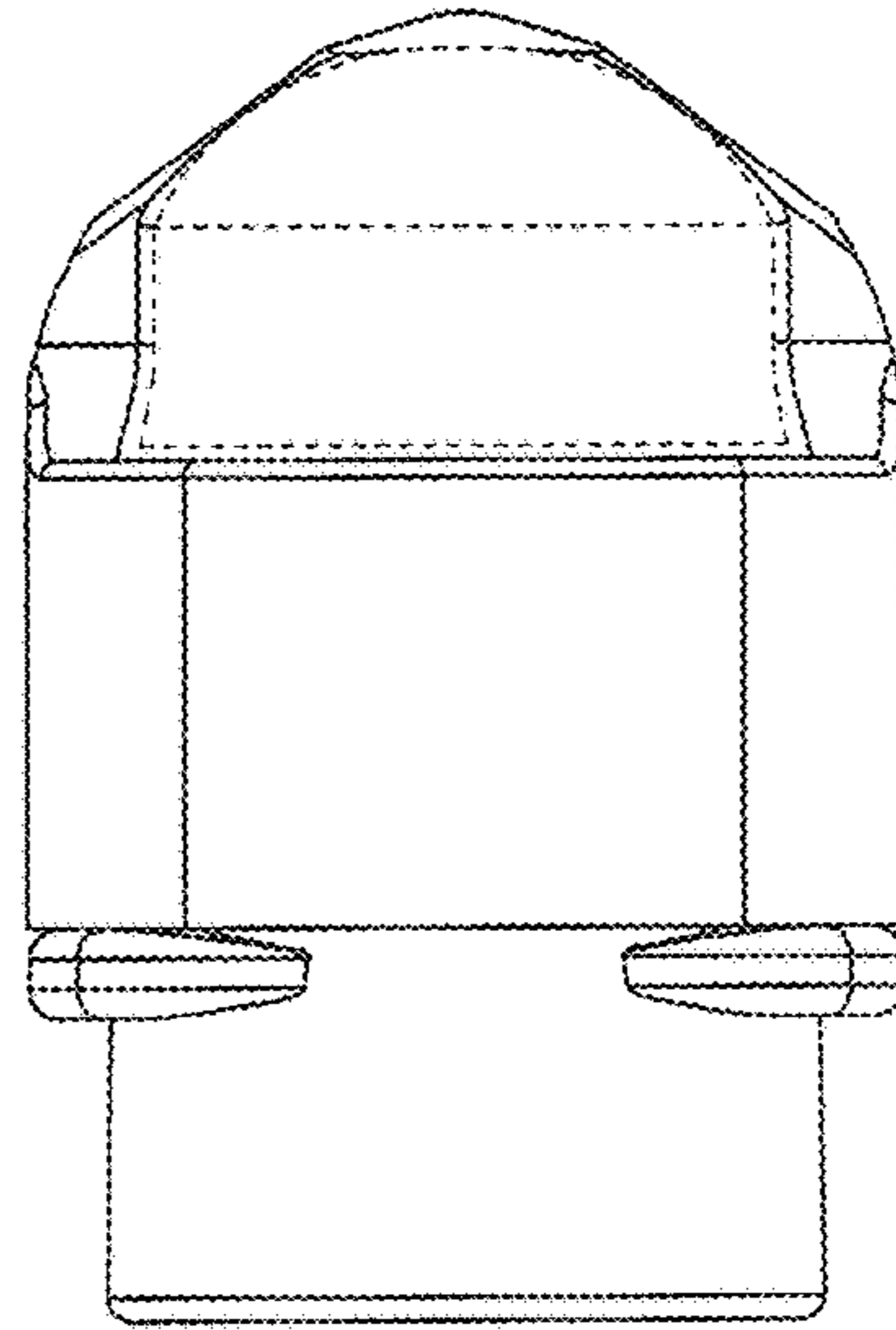


Fig. 3

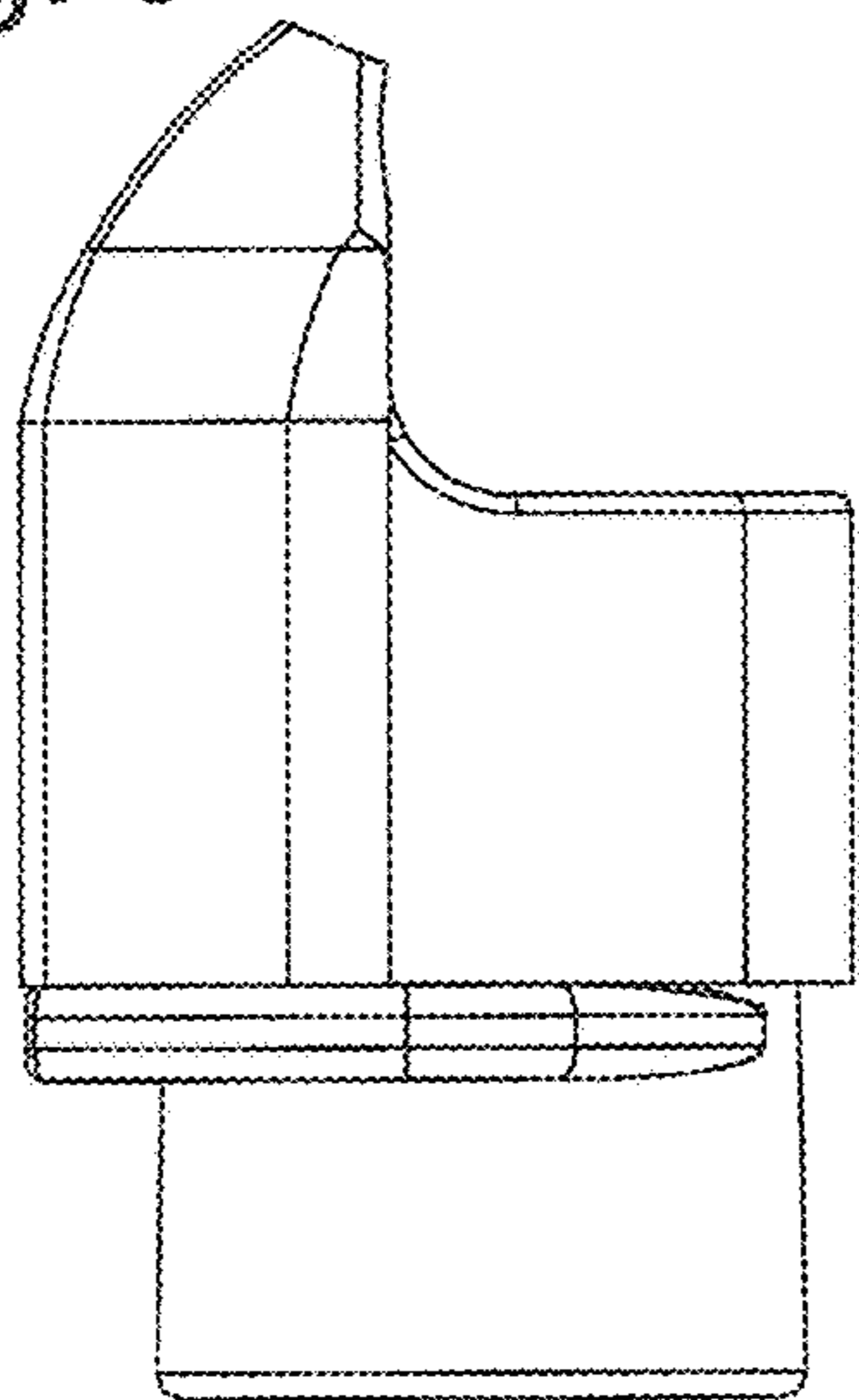


Fig. 4

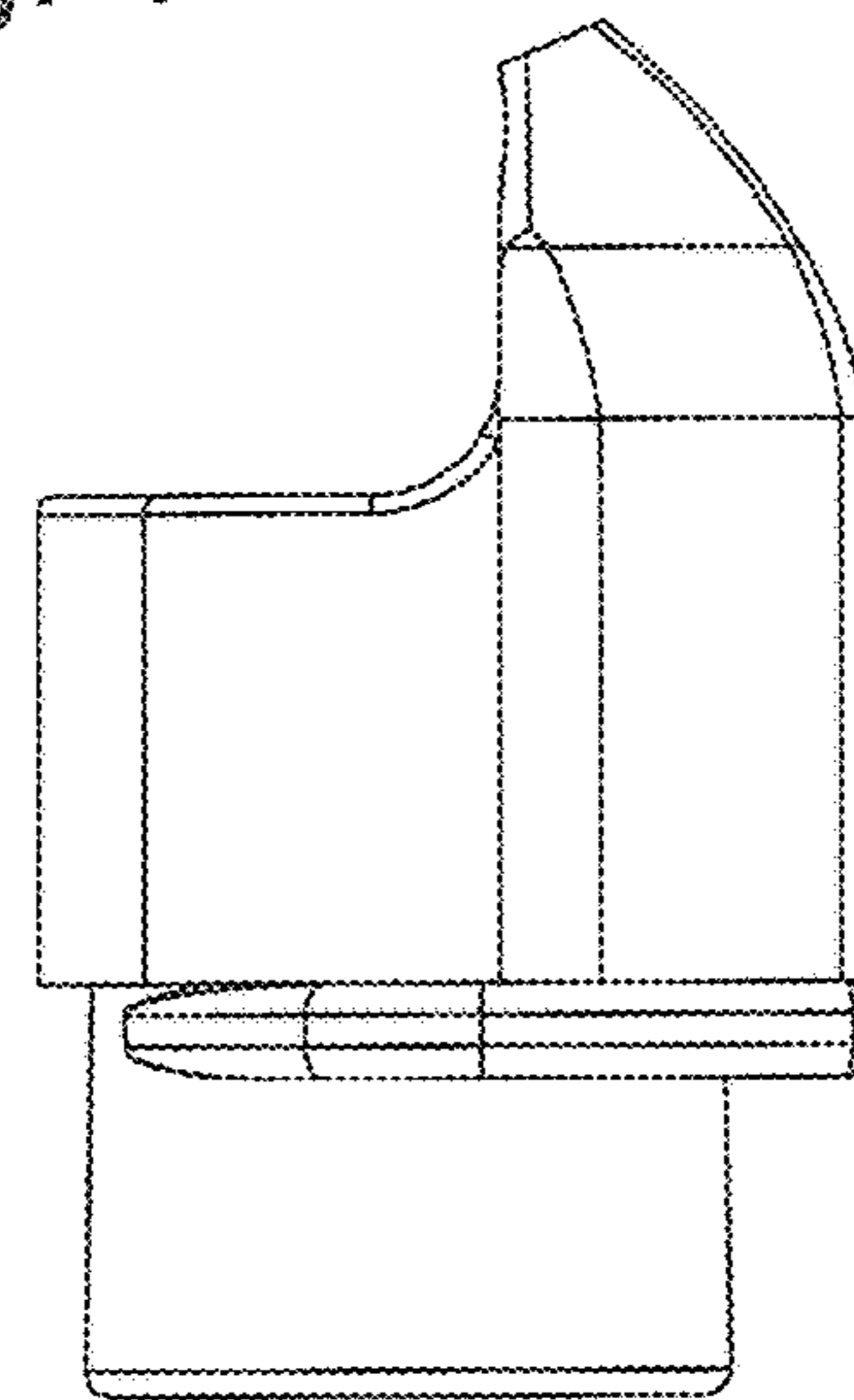


Fig. 5

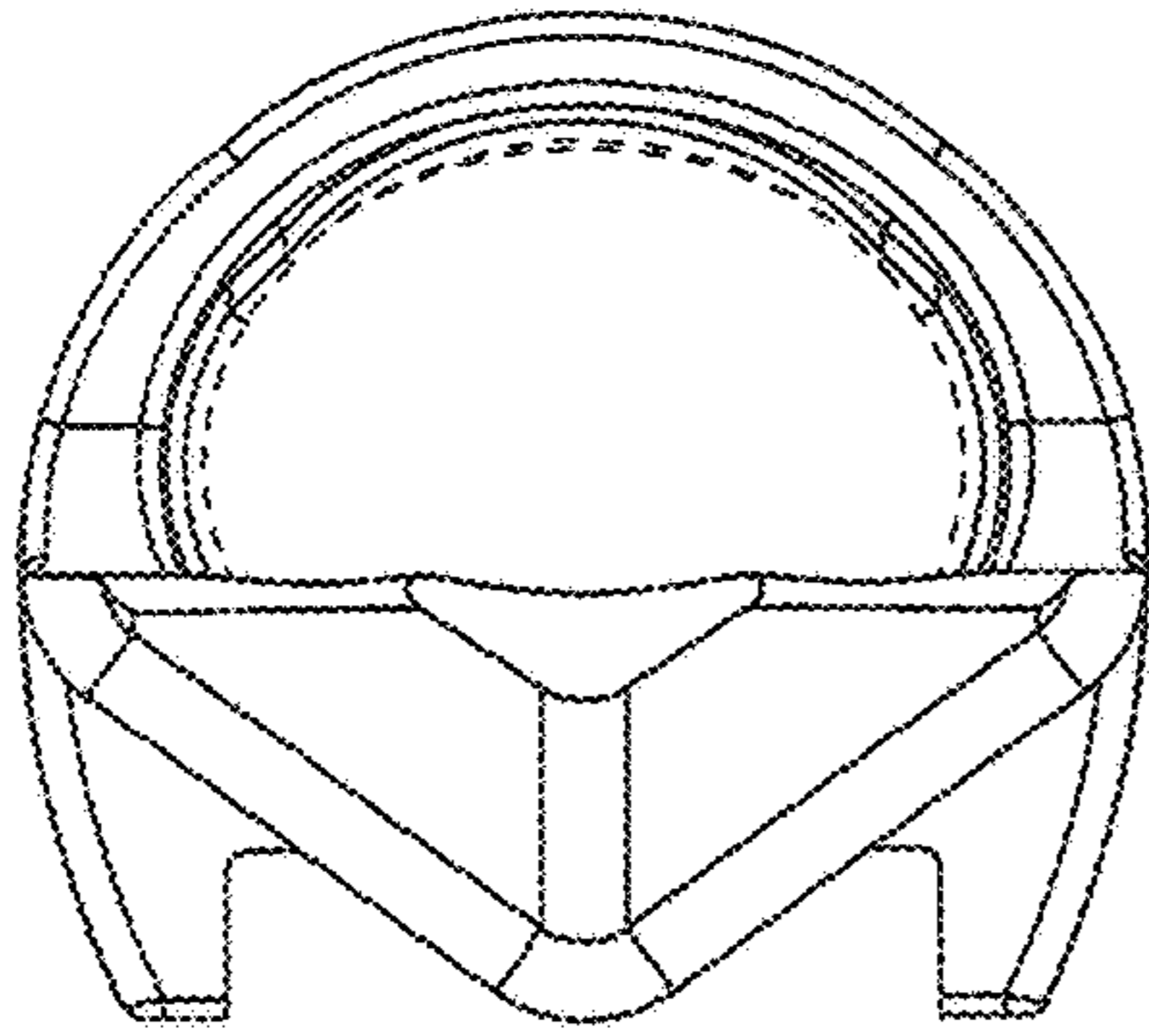


Fig. 6

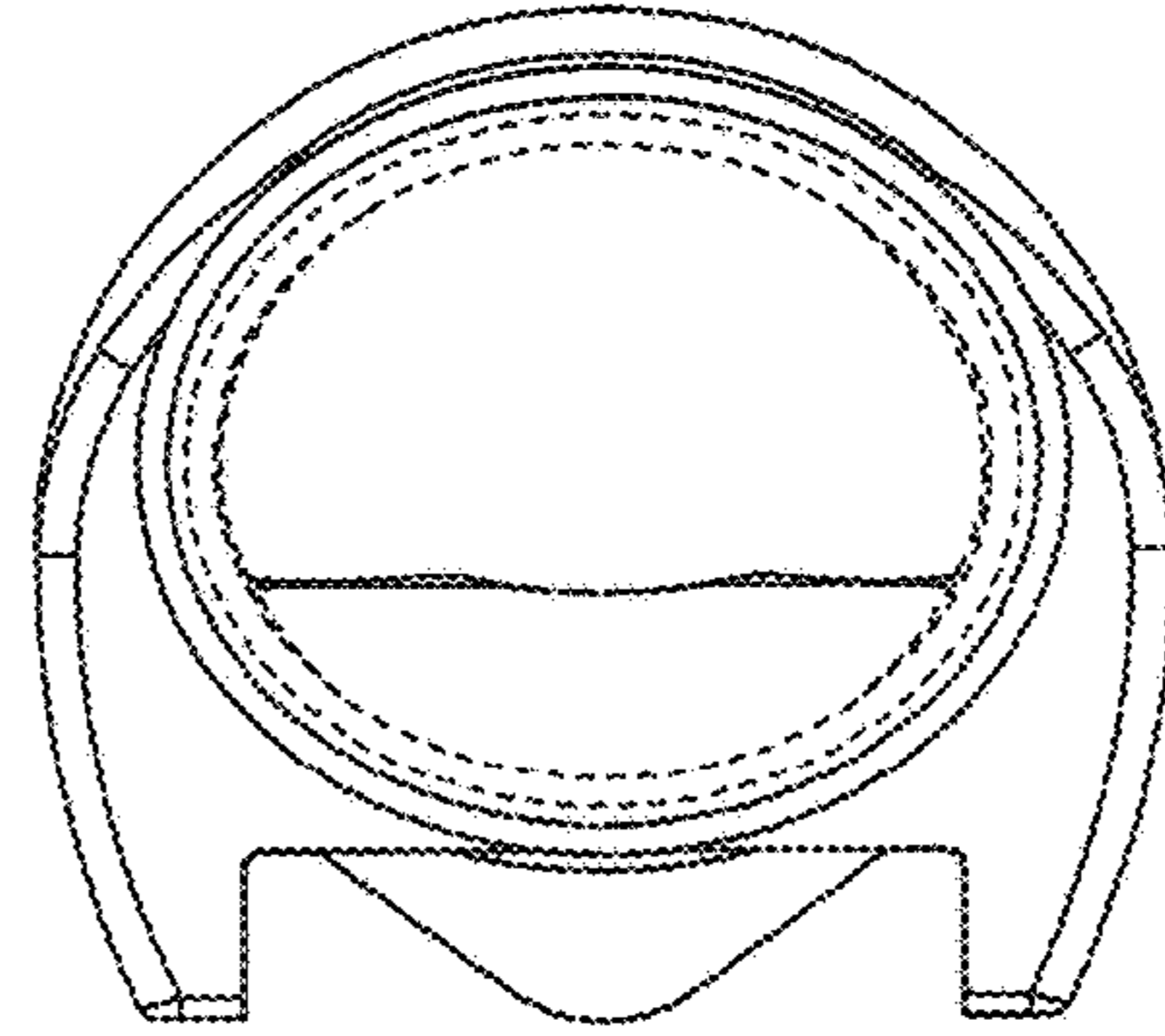


Fig. 7

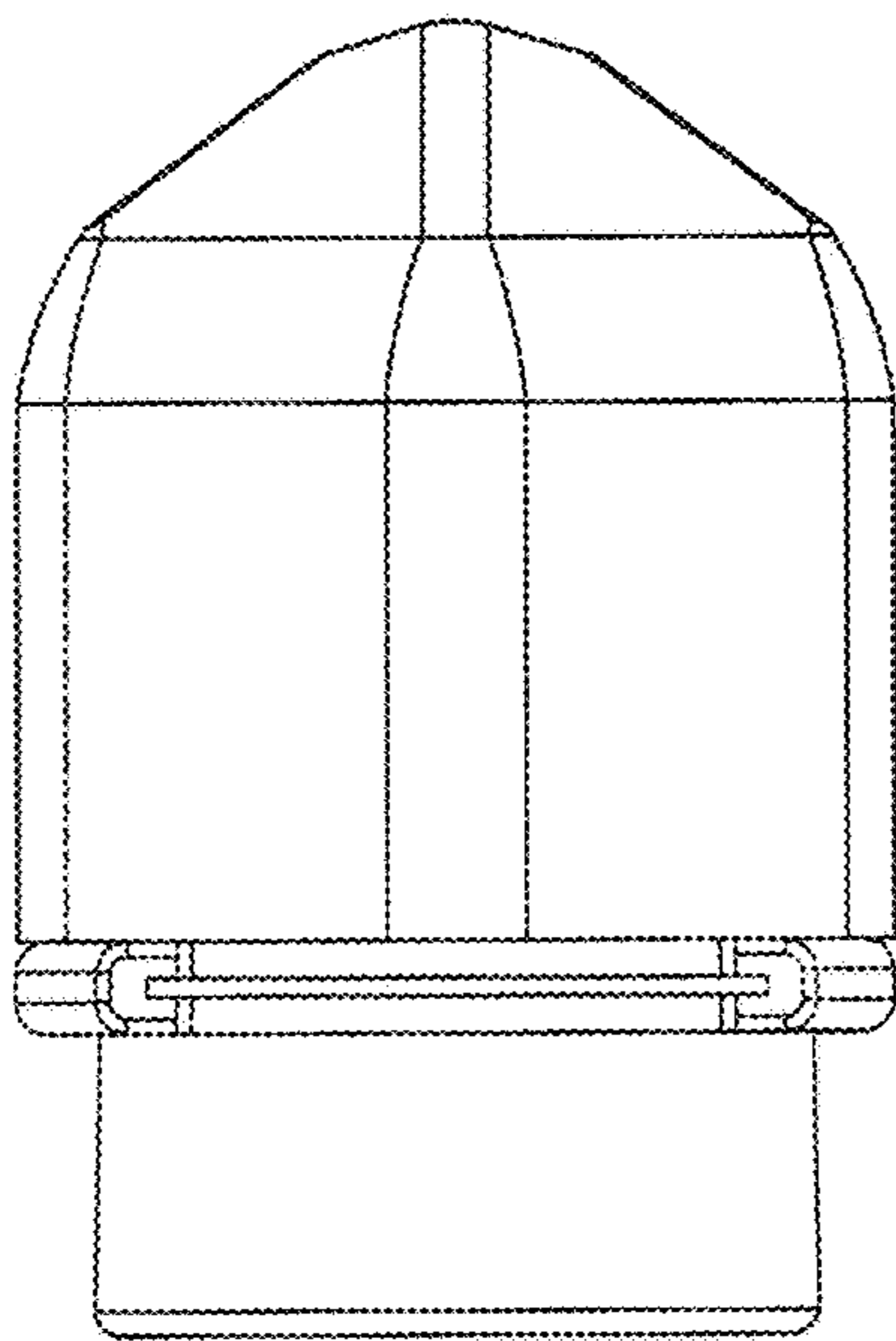


Fig. 8

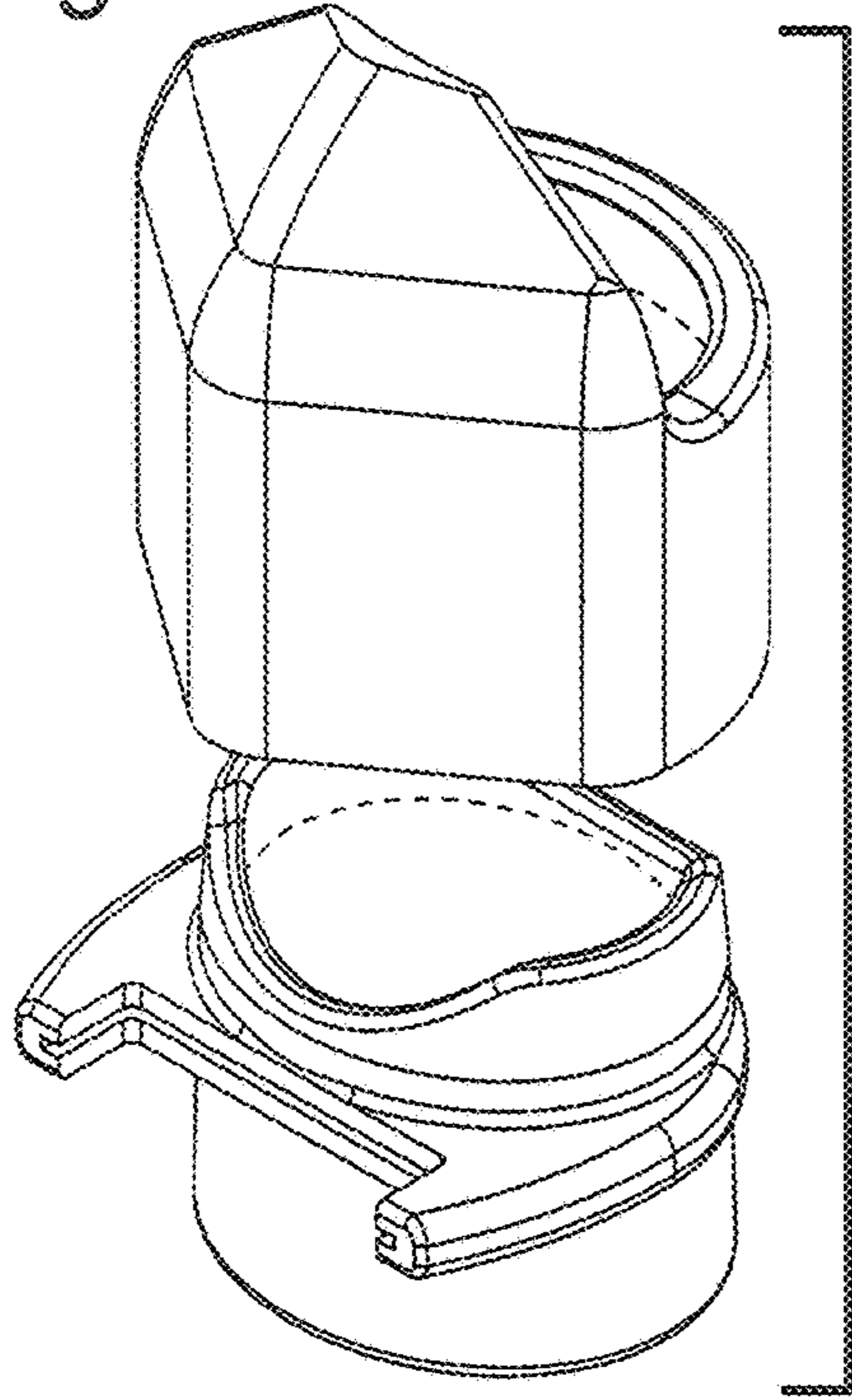


Fig. 9

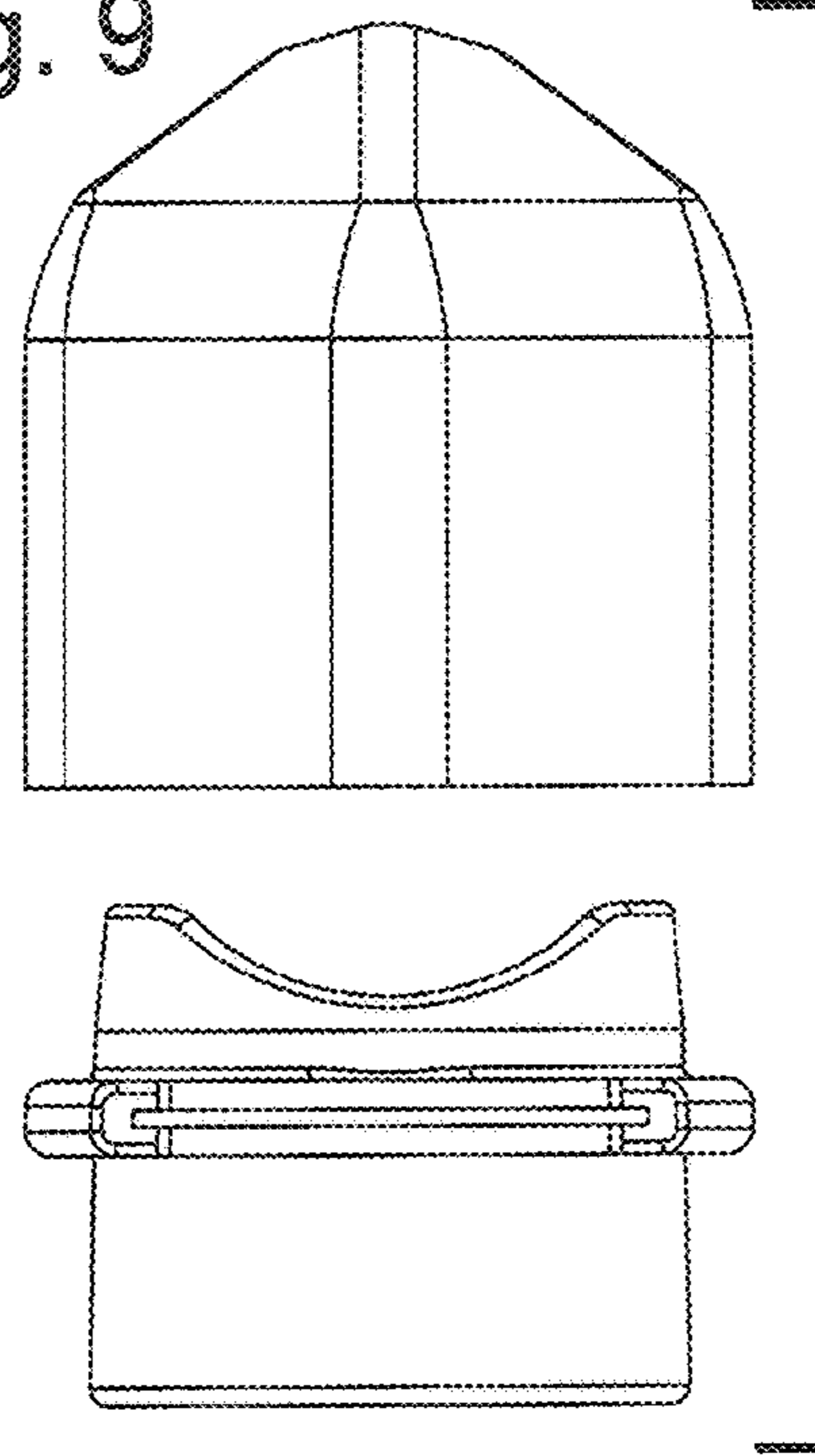


Fig. 10

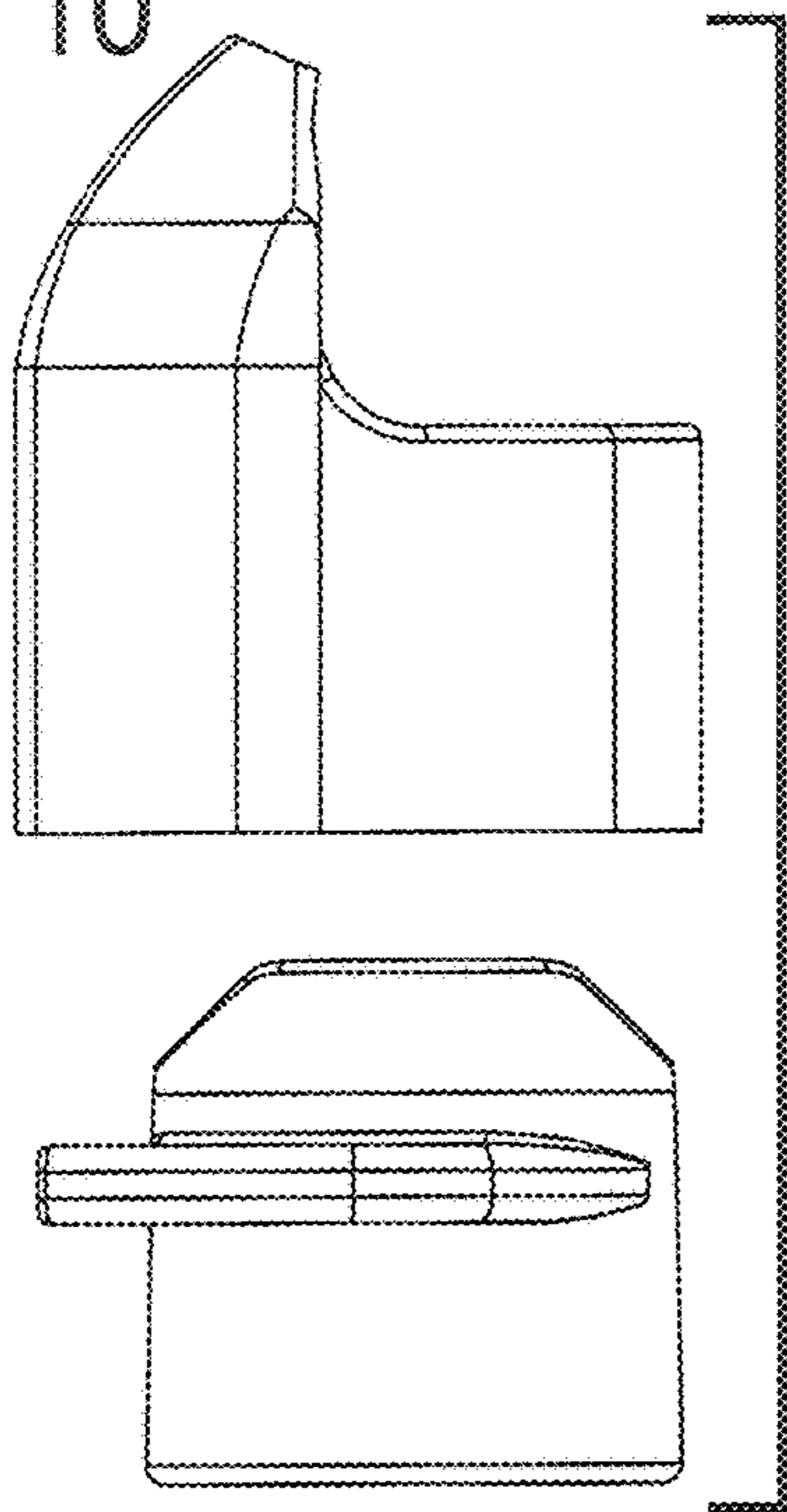


Fig. 11

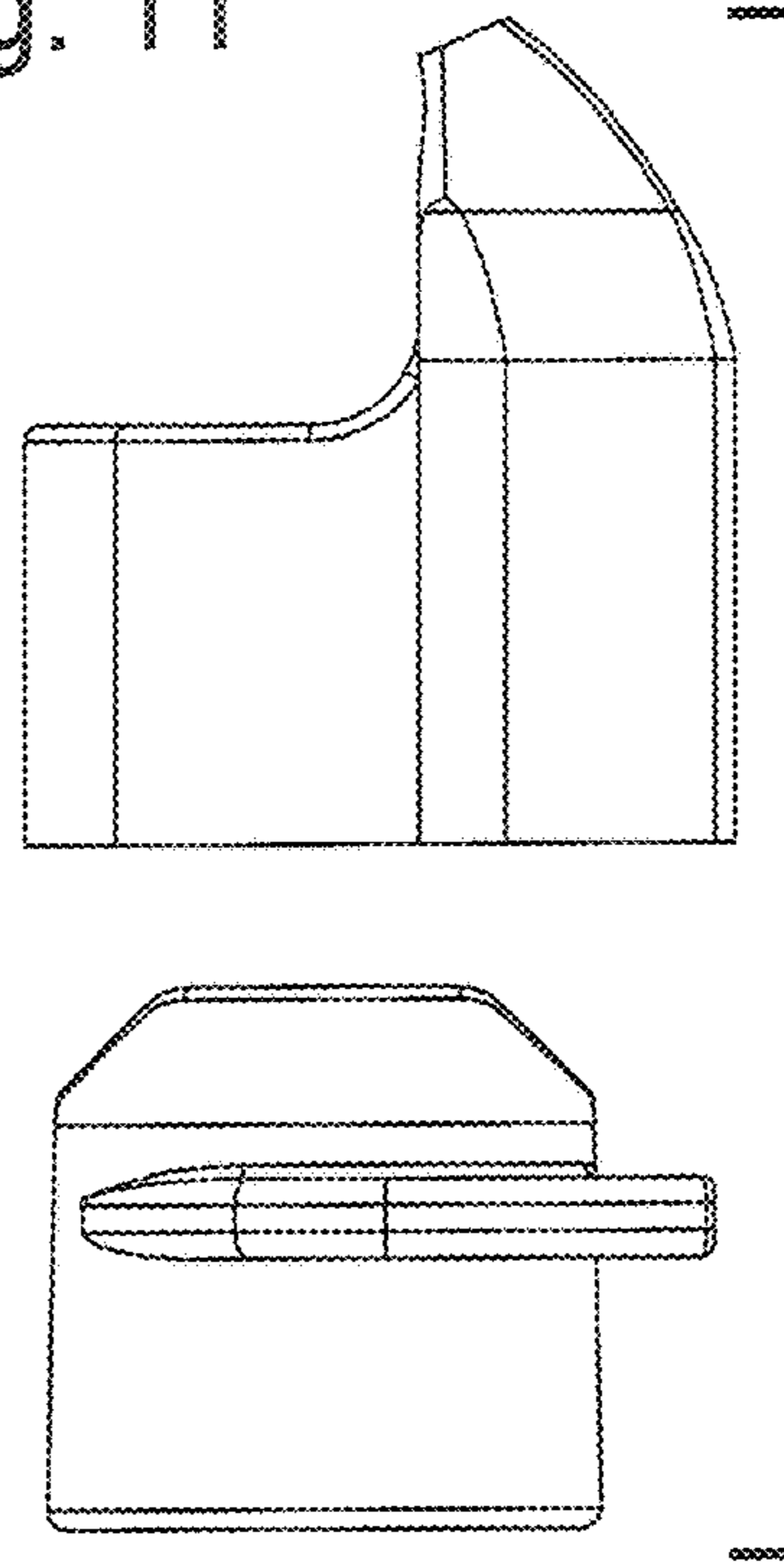


Fig. 12

