



US00D859097S

(12) **United States Design Patent** (10) **Patent No.:** **US D859,097 S**
Fu (45) **Date of Patent:** **** Sep. 10, 2019**

- (54) **CUTTING BOARD WITH LEGS**
- (71) Applicant: **Jianyong Zhao**, Irvine, CA (US)
- (72) Inventor: **Shaoping Fu**, Fuzhou (CN)
- (73) Assignee: **Jianyong Zhao**, Irvine, CA (US)
- (**) Term: **15 Years**
- (21) Appl. No.: **29/672,754**
- (22) Filed: **Dec. 7, 2018**
- (51) **LOC (12) Cl.** **07-04**
- (52) **U.S. Cl.**
USPC **D7/698**
- (58) **Field of Classification Search**
USPC D7/368, 543, 549, 550.1, 584, 586,
D7/698-699; D32/55-57
CPC A47J 47/00; A47J 47/005; A47J 47/20;
B26D 7/0006; B26D 7/018; B26D 7/20;
B23D 21/00; B23D 51/025; B23K 37/04;
B23K 37/053; B23Q 16/001; G01F 19/00
See application file for complete search history.

- (56) **References Cited**
U.S. PATENT DOCUMENTS
166,038 A * 7/1875 Stepp B23D 51/025
269/2
D27,891 S * 11/1897 Miner D7/584
D225,764 S * 1/1973 Duecker D7/698
D283,777 S * 5/1986 Morin D6/406.6
D304,276 S * 10/1989 Wolff D7/698
D363,417 S 10/1995 Kelley
D367,399 S 2/1996 Brooks
D434,618 S * 12/2000 Yu D7/698
D472,776 S 4/2003 Porter

- D605,908 S 12/2009 Pearl et al.
- 7,637,154 B1 * 12/2009 Robbins G01F 19/00
220/530
- D671,806 S * 12/2012 Kaufmann D7/698
- D675,071 S 1/2013 Kramer
- D677,130 S * 3/2013 Robinson D7/698
- D700,023 S * 2/2014 Murison D7/698
- D718,582 S * 12/2014 Parijogi D7/698
- D775,889 S * 1/2017 Burns D7/368
- D819,413 S 6/2018 Zemel et al.
- 2003/0227119 A1 * 12/2003 Jackson A47J 47/005
269/25

* cited by examiner

Primary Examiner — Ricky Pham
(74) *Attorney, Agent, or Firm* — Fish IP Law, LLP

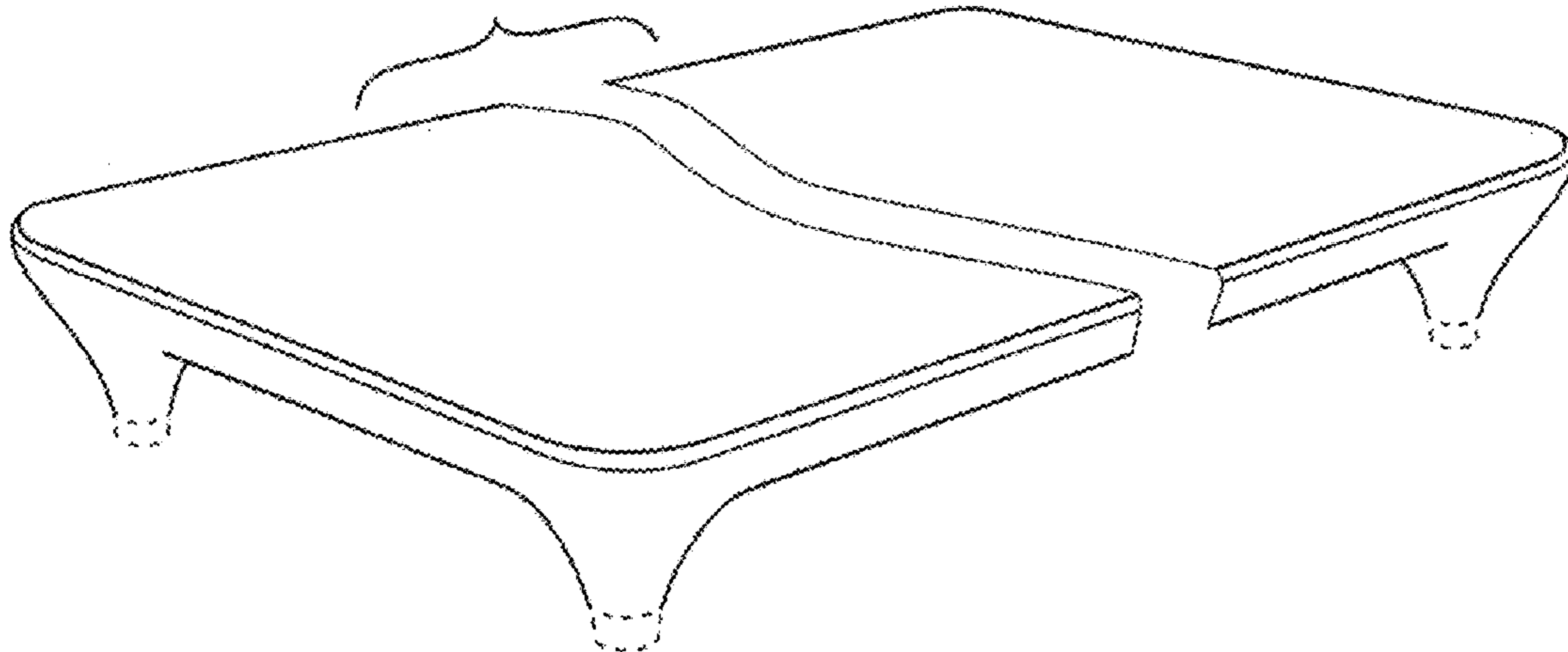
(57) **CLAIM**

The ornamental design for a cutting board with legs, as shown and described.

DESCRIPTION

FIG. 1 is a perspective view of a cutting board with legs showing my new design.
FIG. 2 is a top plan view thereof.
FIG. 3 is a bottom plan view thereof.
FIG. 4 is a front view thereof.
FIG. 5 is a rear view thereof.
FIG. 6 is a right side view thereof; and,
FIG. 7 is a left side view thereof.
The broken lines showing the legs of the cutting board are unclaimed subject matter and form no part of the claimed design. The break lines represent uncertain lengths and portions between the break lines form no part of the claimed design.

1 Claim, 2 Drawing Sheets



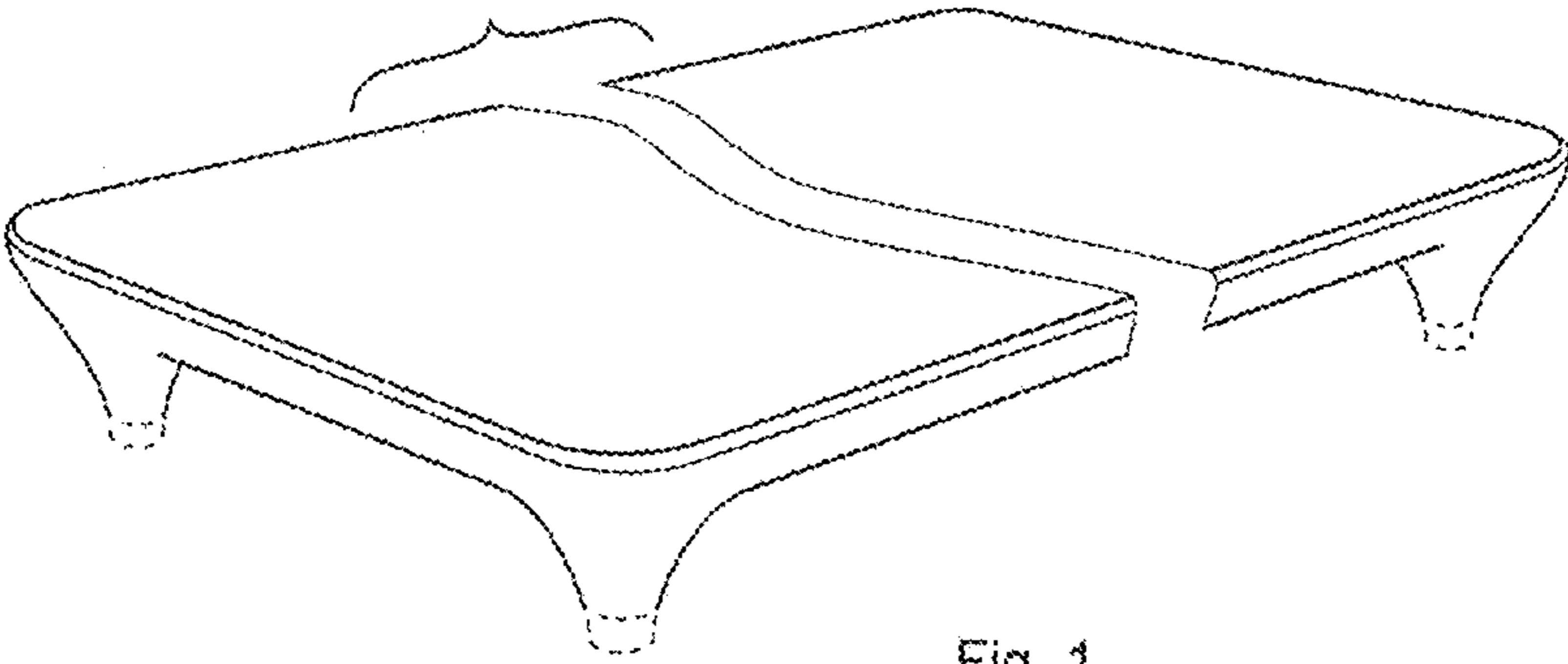


Fig. 1

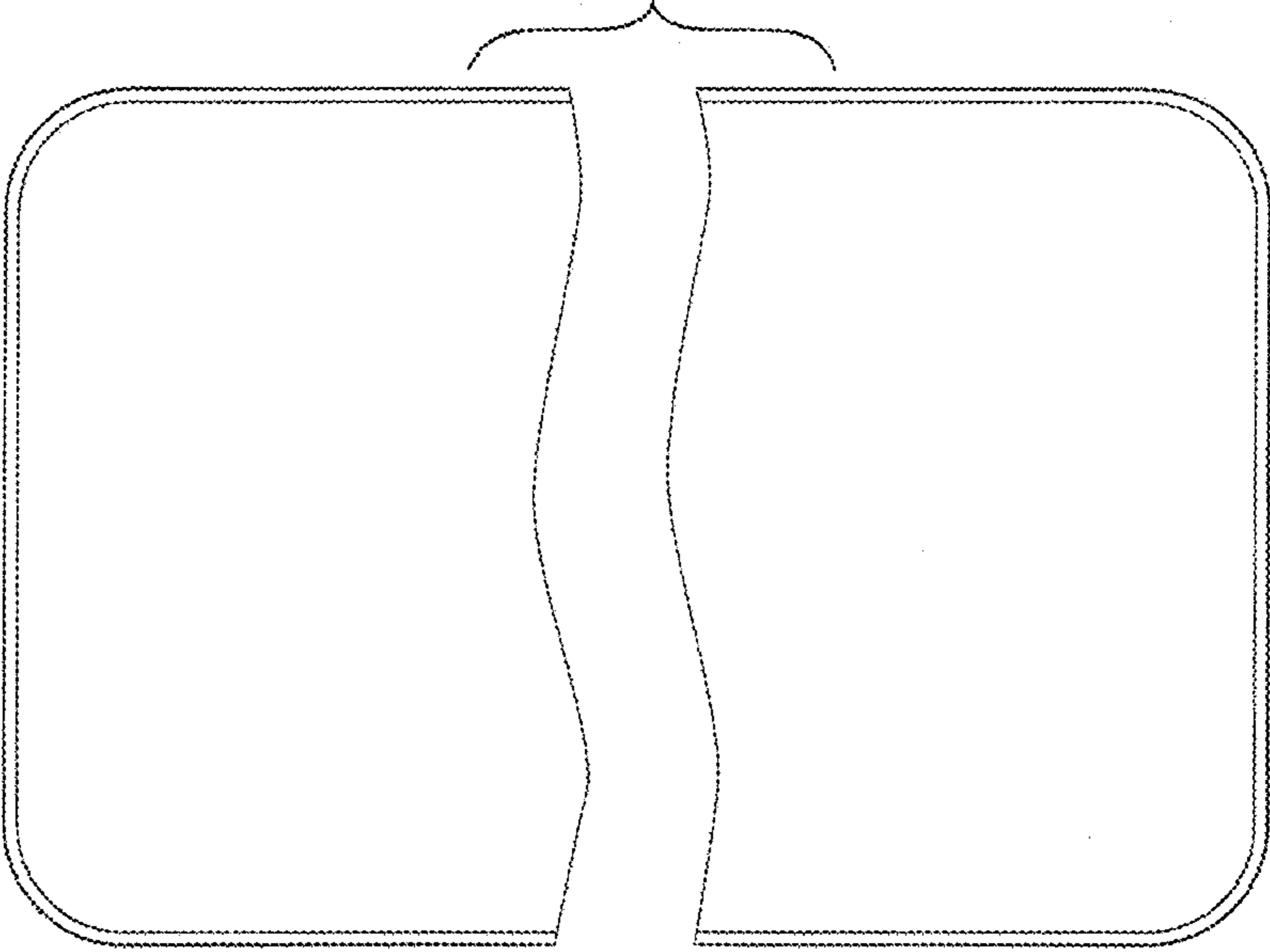


Fig. 2

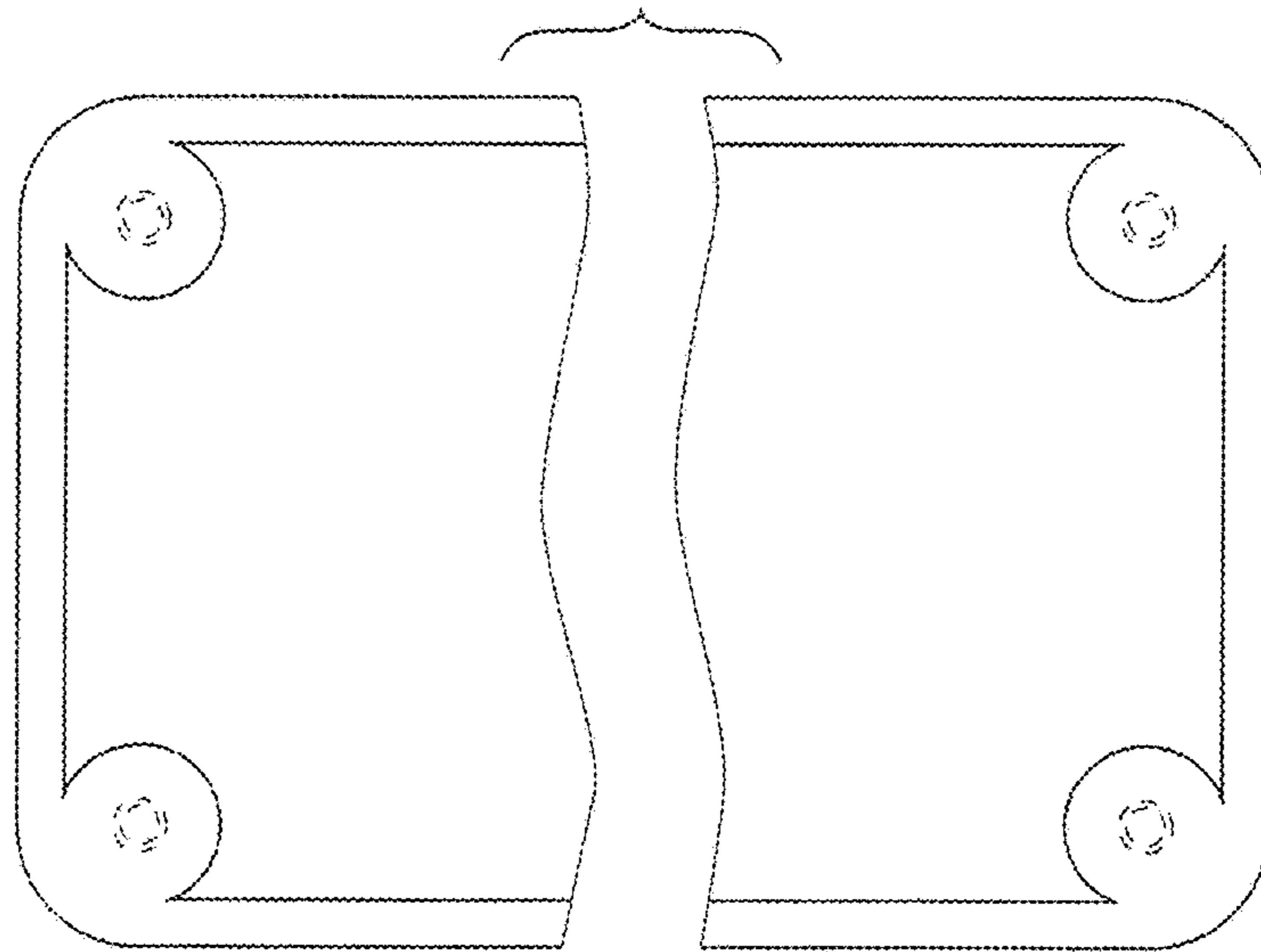


Fig. 3

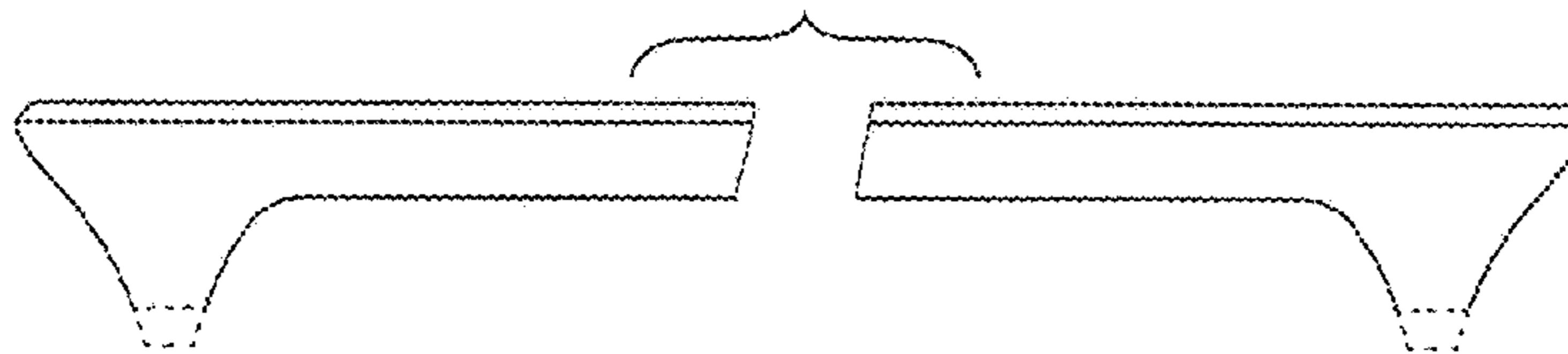


Fig. 4

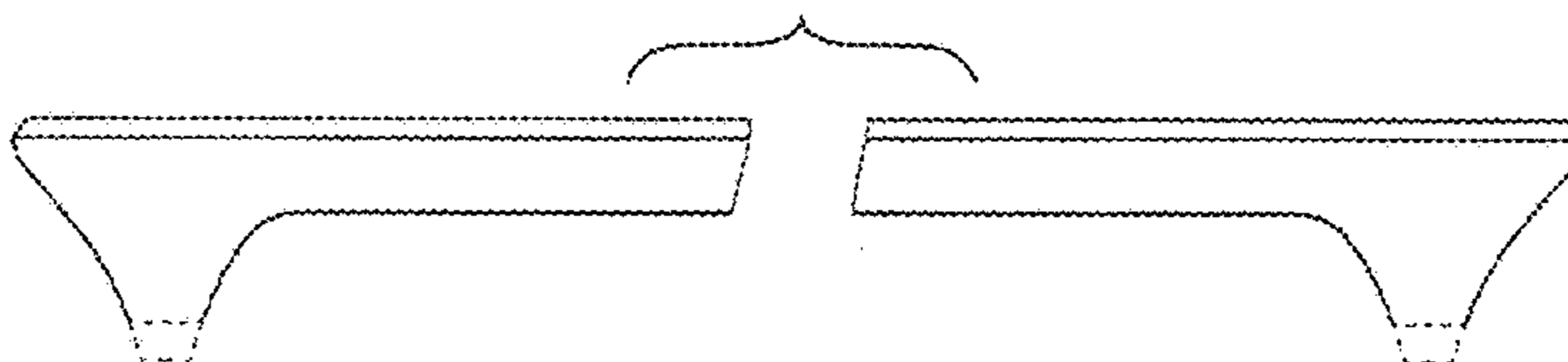


Fig. 5

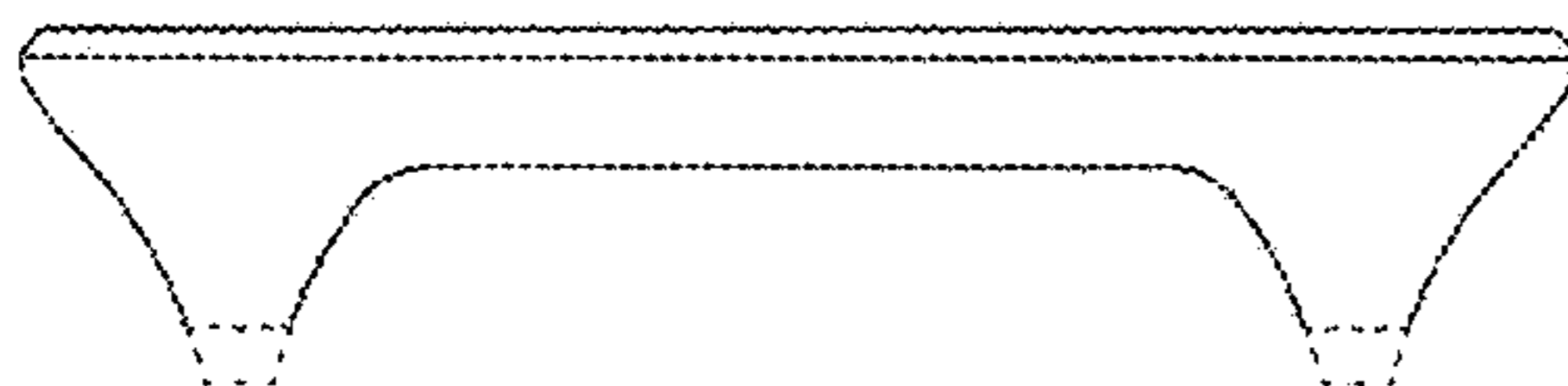


Fig. 6

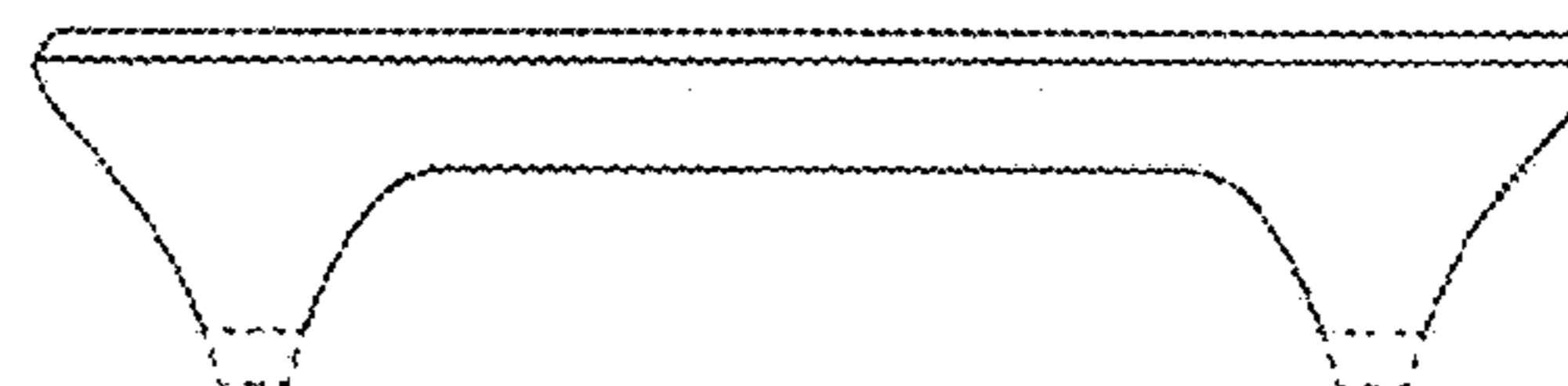


Fig. 7