



US00D859091S

(12) **United States Design Patent**
Appelbaum et al.

(10) **Patent No.:** **US D859,091 S**

(45) **Date of Patent:** **** Sep. 10, 2019**

(54) **HANDHELD FOOD SPIRALIZING DEVICE**

(71) Applicants: **Alaina Appelbaum**, Brooklyn, NY
(US); **Catherine Cheek**, Brooklyn, NY
(US)

(72) Inventors: **Alaina Appelbaum**, Brooklyn, NY
(US); **Catherine Cheek**, Brooklyn, NY
(US)

(73) Assignee: **HELEN OF TROY LIMITED**, St.
Michael (BB)

(**) Term: **15 Years**

(21) Appl. No.: **29/631,012**

(22) Filed: **Dec. 26, 2017**

(51) **LOC (12) Cl.** **07-04**

(52) **U.S. Cl.**

USPC **D7/693; D7/673**

(58) **Field of Classification Search**

USPC **D7/678, 693, 672-677**

CPC . **A47J 17/00; A47J 17/02; A47J 17/16; B26D**

3/26; B26D 3/00; B26D 3/283; A23N

7/02; A23N 7/026

See application file for complete search history.

(56) **References Cited**

U.S. PATENT DOCUMENTS

2,912,757 A * 11/1959 Knight A47J 17/00

30/303

D236,313 S * 8/1975 Malpas 241/95

* cited by examiner

Primary Examiner — Terry A Wallace

(57) **CLAIM**

The ornamental design for a handheld food spiralizing device, as shown, and described.

DESCRIPTION

FIG. 1 is a perspective view of a handheld food spiralizing device;

FIG. 2 is a top view thereof;

FIG. 3 is a bottom view thereof;

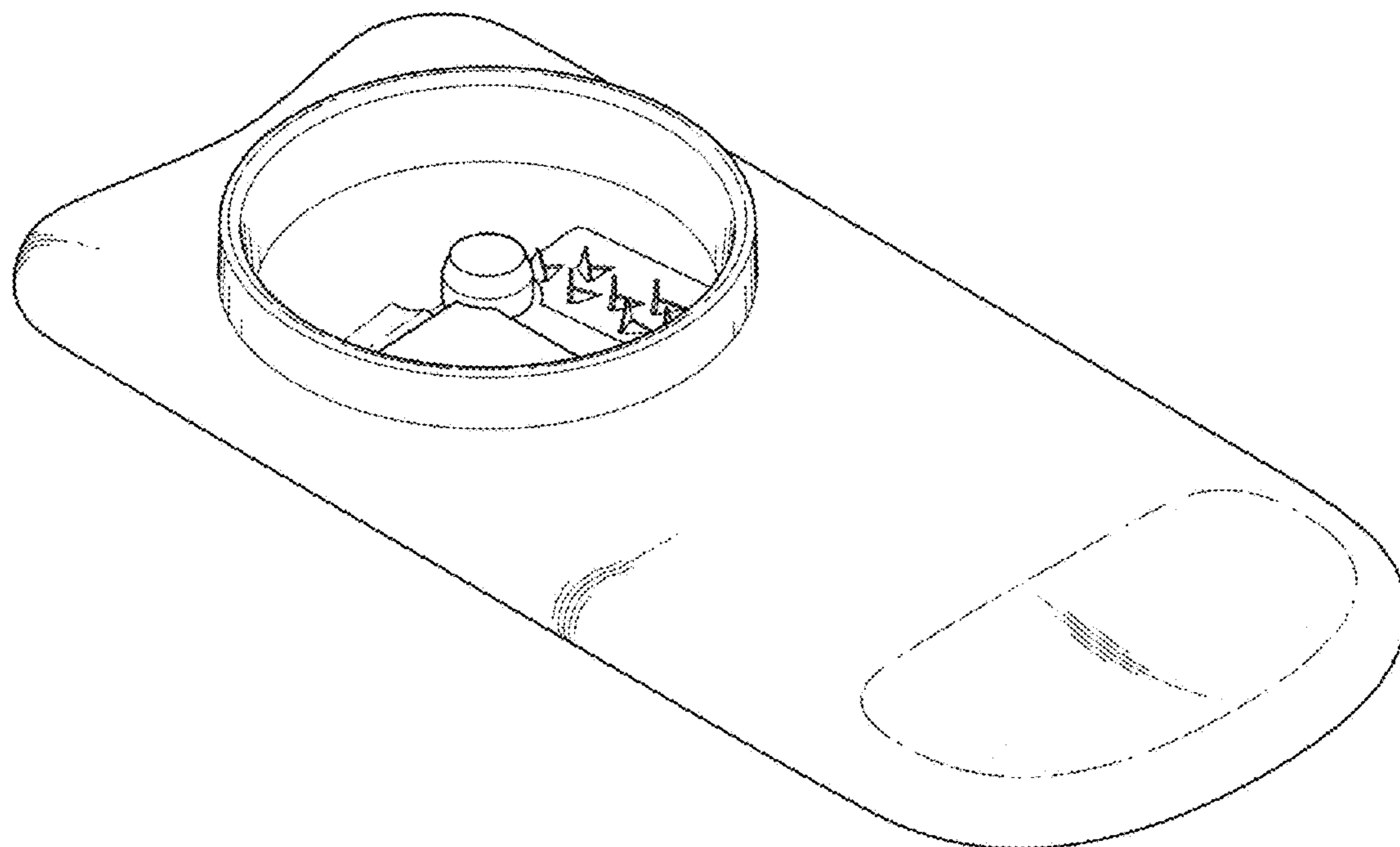
FIG. 4 is a right side elevation view thereof (with the left a mirror image thereof);

FIG. 5 is a rear elevation view thereof; and,

FIG. 6 is a front elevation view thereof.

The broken lines represent structure and form no part of the claimed design.

1 Claim, 6 Drawing Sheets



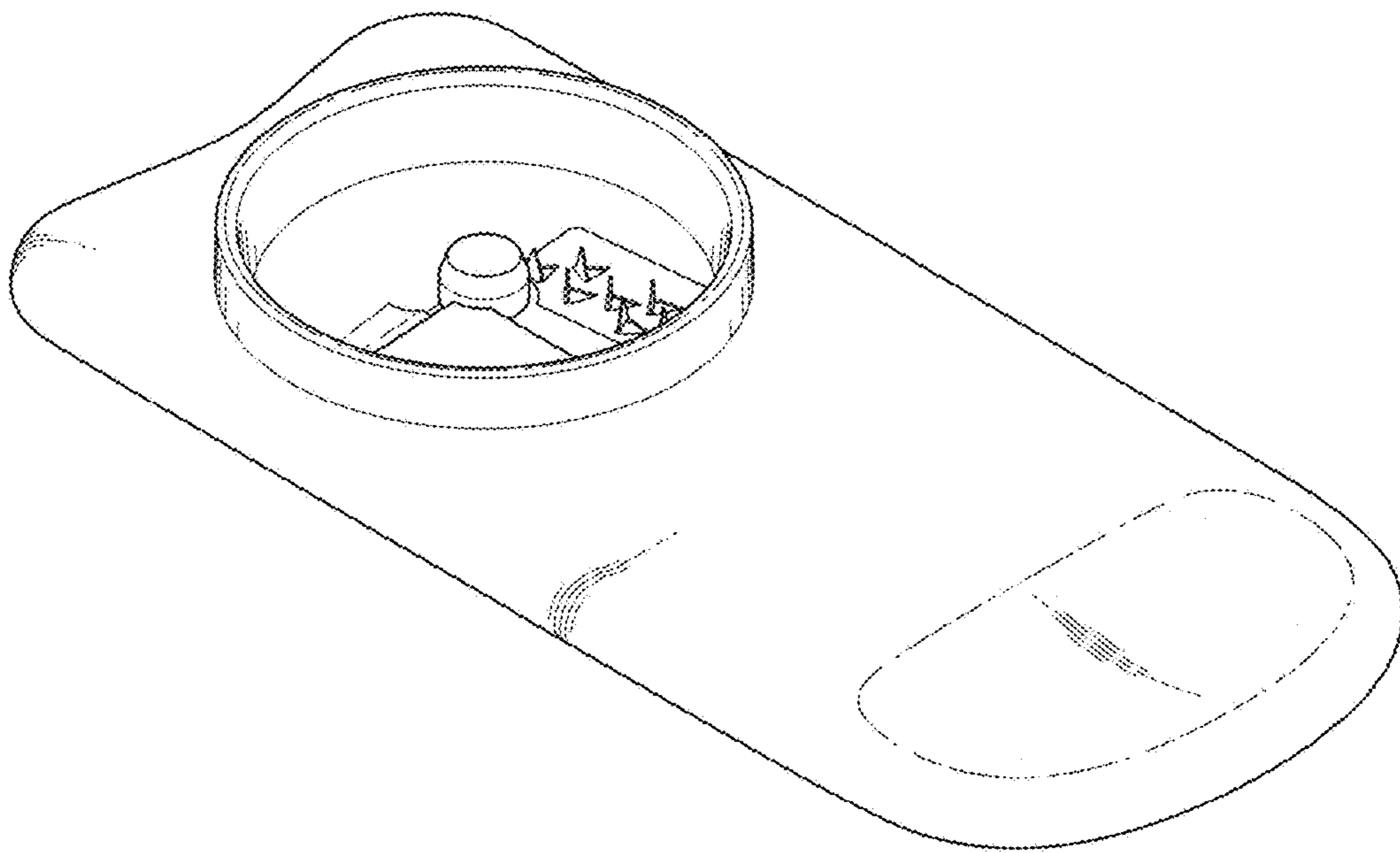


FIG. 1

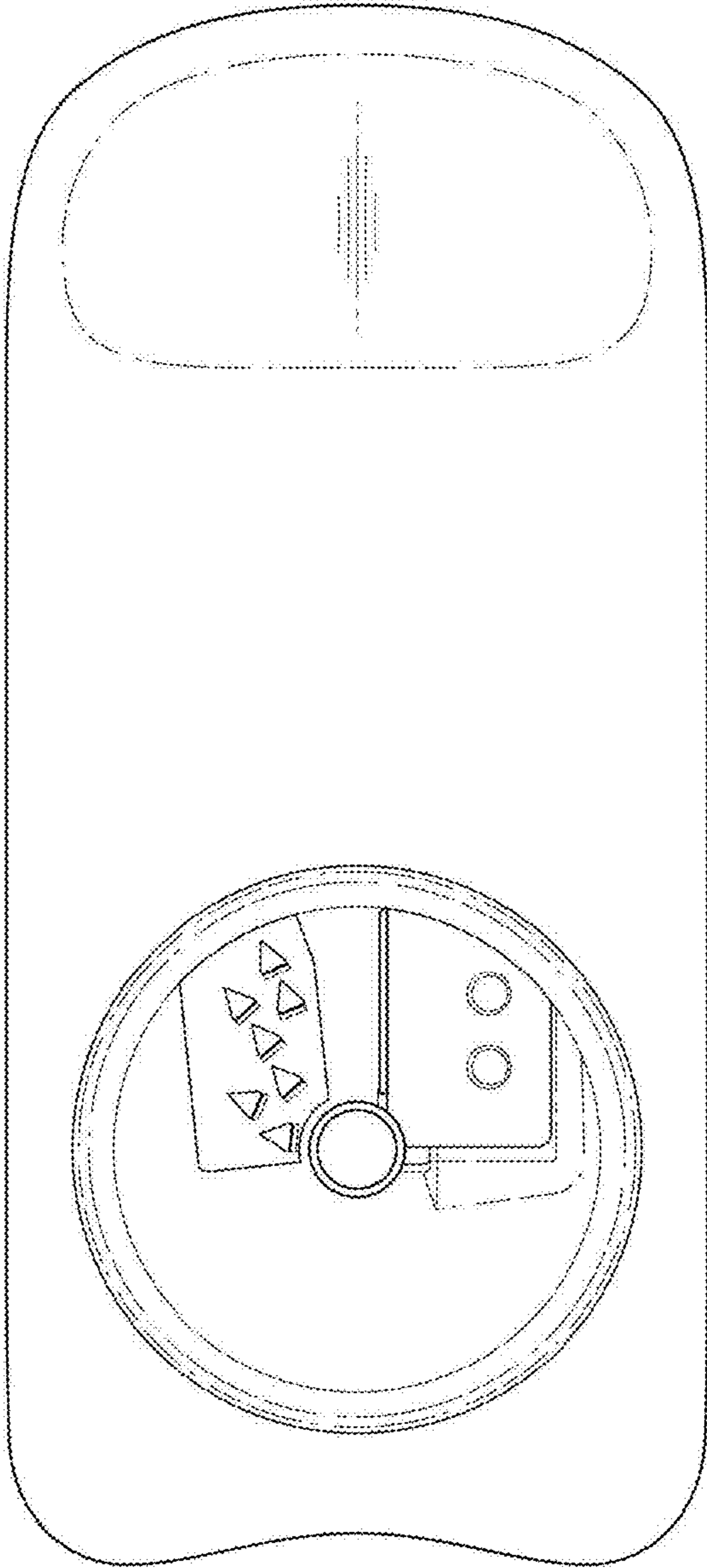


FIG. 2

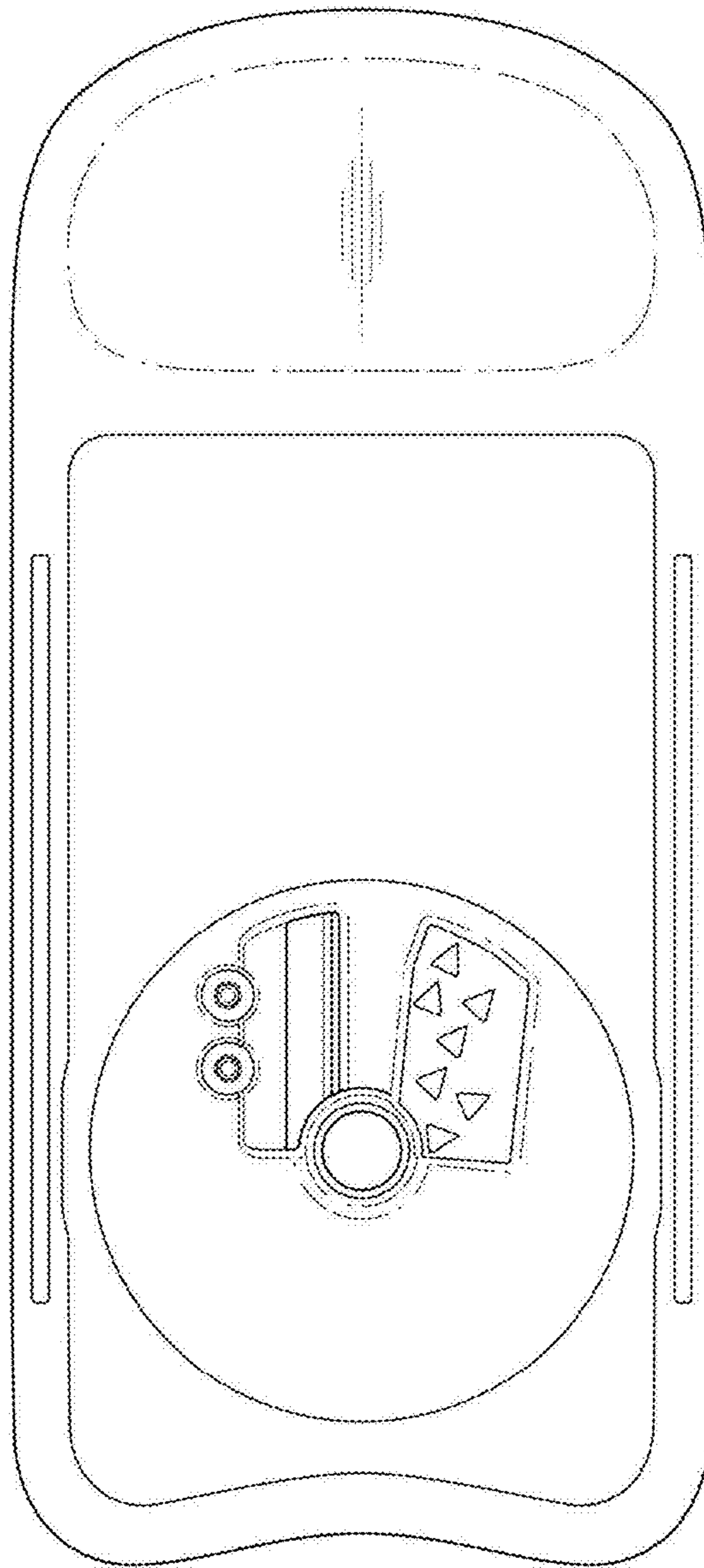


FIG. 3

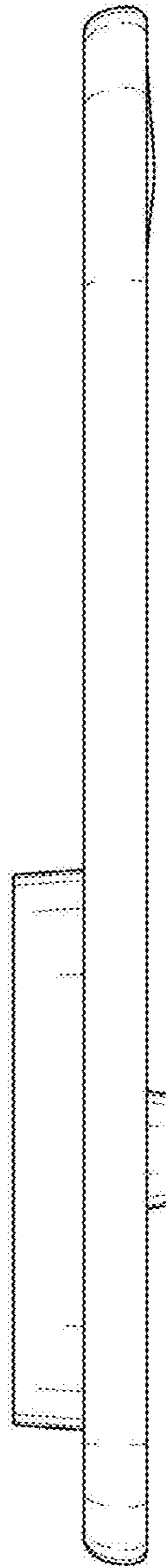


FIG. 4

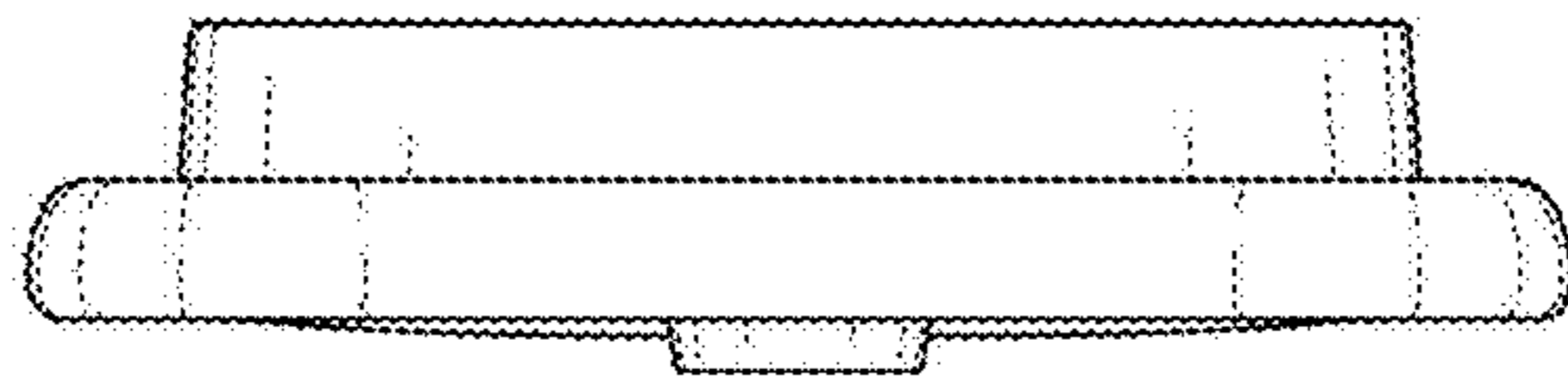


FIG. 5

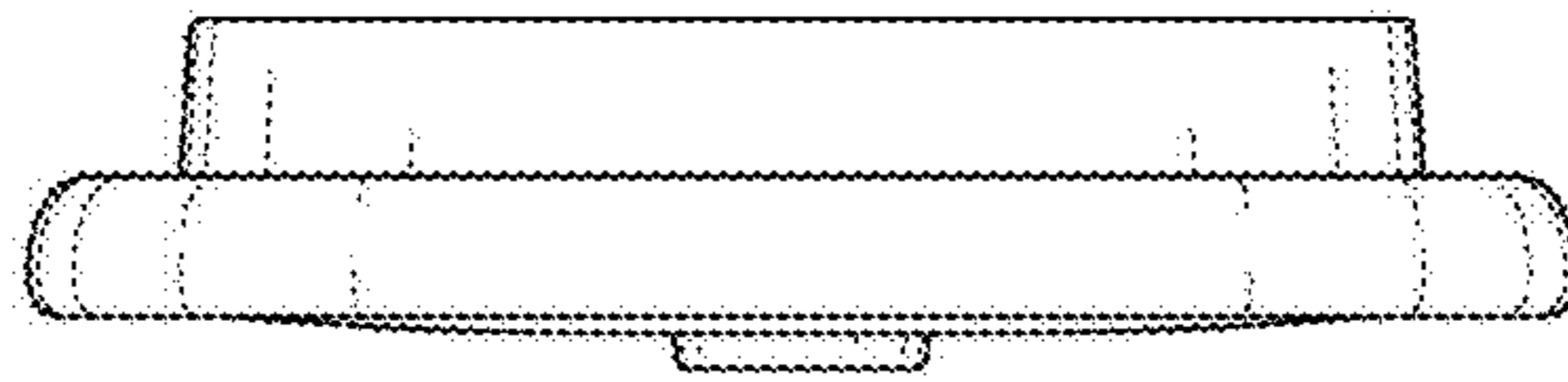


FIG. 6