



US00D859087S

(12) **United States Design Patent**  
**Tarbutton**

(10) **Patent No.:** **US D859,087 S**

(45) **Date of Patent:** **\*\* Sep. 10, 2019**

(54) **BEVERAGE CONTAINER INSULATOR**

**DESCRIPTION**

- (71) Applicant: **TARBUTTON TRUMP REAL ESTATE LLC**, Easton, MD (US)
- (72) Inventor: **Charles S. Tarbutton**, Easton, MD (US)
- (73) Assignee: **Tarbutton Trump Real Estate LLC**, Easton, MD (US)
- (\*\*) Term: **15 Years**
- (21) Appl. No.: **29/638,813**
- (22) Filed: **Mar. 1, 2018**
- (51) **LOC (12) Cl.** ..... **07-01**
- (52) **U.S. Cl.**  
USPC ..... **D7/607**; D7/624.2; D7/624.3
- (58) **Field of Classification Search**  
USPC ..... D7/601, 605, 607, 608, 619.1, 624.2; D9/444

(Continued)

(56) **References Cited**

**U.S. PATENT DOCUMENTS**

- 3,779,298 A \* 12/1973 Piccirilli ..... B44C 1/18 206/499
- 4,163,374 A \* 8/1979 Moore ..... B65D 81/3883 220/592.01

(Continued)

*Primary Examiner* — Terry A Wallace

(74) *Attorney, Agent, or Firm* — Davis & Bujold, P.L.L.C.; Michael J. Bujold

(57) **CLAIM**

I claim the ornamental design for a beverage container insulator, as shown and described.

FIG. 1 is a perspective view of a first embodiment of a beverage container insulator embodying my new design and showing an assembled state thereof for accommodating a beverage container;

FIG. 2 is a front elevation view thereof, the rear, left and right elevation views being mirror images thereof;

FIG. 3 is a bottom view thereof;

FIG. 4 is a top view thereof;

FIG. 5 is an exploded perspective view thereof, showing a beverage container in broken lines accommodated therein;

FIG. 6 is a front elevation view of the first embodiment of the beverage container insulator showing two components thereof in an interconnected condition, the rear, left and right elevation views being mirror images thereof;

FIG. 7 is a cross sectional view thereof taken along line 7-7 of FIG. 6;

FIG. 8 is a perspective view of a second embodiment of the beverage container insulator embodying my new design and showing an assembled state thereof for accommodating a beverage container;

FIG. 9 is a front elevation view of the second embodiment of the beverage container insulator, the rear, left and right elevation views being mirror images thereof;

FIG. 10 is a bottom view of the second embodiment of the beverage container insulator;

FIG. 11 is a top view of the second embodiment of the beverage container insulator;

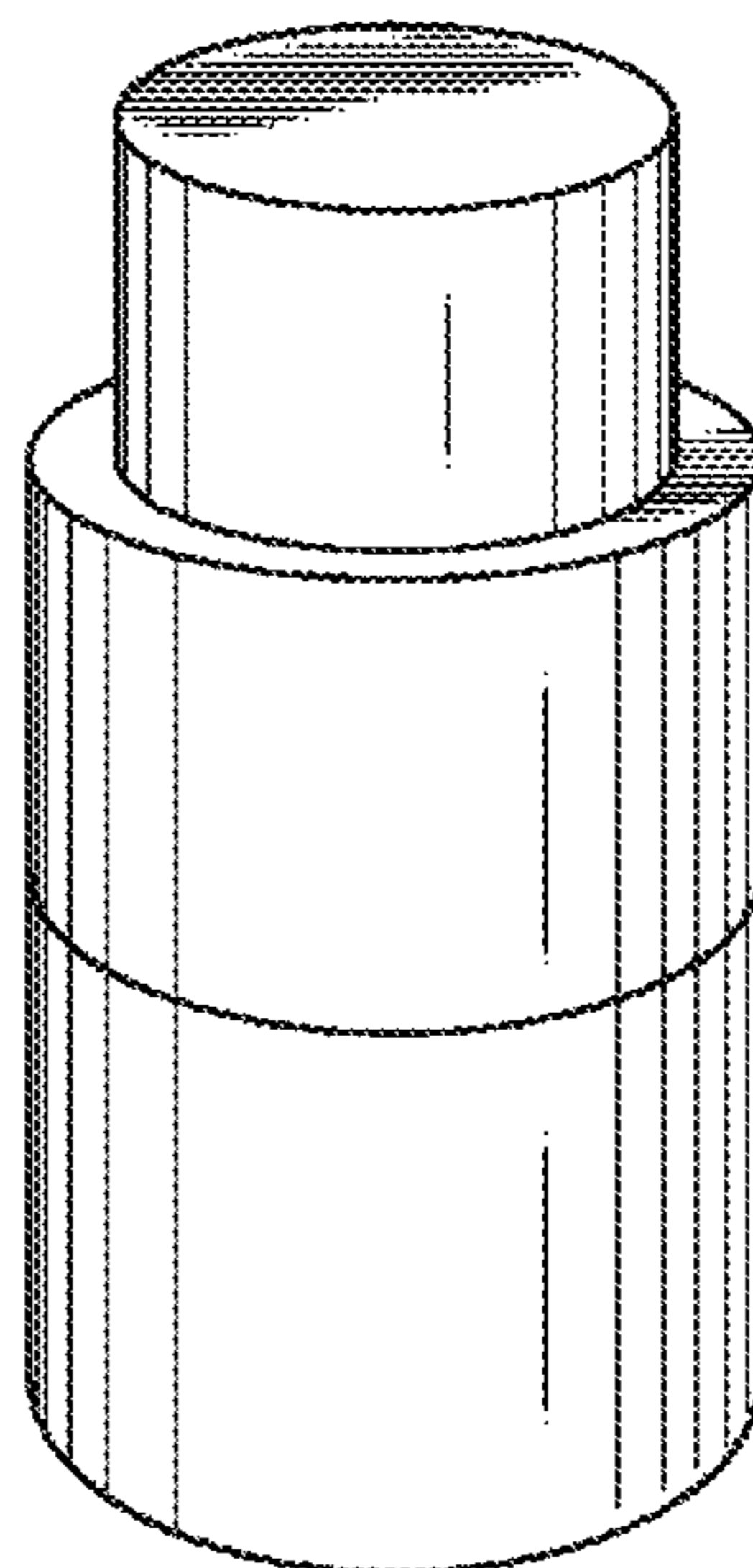
FIG. 12 is an exploded perspective view of the second embodiment of the beverage container insulator, showing a beverage container in broken lines accommodated therein;

FIG. 13 is a front elevation view of the second embodiment of the beverage container insulator showing two components thereof in an interconnected condition, the rear, left and right elevation views being mirror images thereof; and,

FIG. 14 is a cross sectional view of the second embodiment of the beverage container insulator, taken along line 14-14 of FIG. 13.

The beverage container, shown in broken lines, forming no part of the claimed design.

**1 Claim, 3 Drawing Sheets**



(58) **Field of Classification Search**

CPC .. F25D 3/08; B65D 25/30; B65D 7/24; B65D  
81/3876; B65D 81/3879; B65D 23/104;  
B65D 81/38; B65D 81/3886; B65D  
81/3883; B65D 81/3881; B65D 83/00;  
B65D 25/04; A45C 11/20; A47G  
23/0216; A47G 23/0225; A47G 19/2288;  
A47G 23/0241; A47G 2023/0291; A47G  
23/02; A47G 19/06; A47G 19/22; A45F  
2200/0583; A61F 7/10; B31D 5/0086;  
A47C 7/62; B62B 9/26; B65F 1/06; F17C  
13/001

See application file for complete search history.

(56) **References Cited**

U.S. PATENT DOCUMENTS

5,186,350	A *	2/1993	McBride .....	A47G 23/0233 206/818
5,390,804	A *	2/1995	Beggins .....	B65D 23/0885 215/12.1
6,554,155	B1 *	4/2003	Beggins .....	B65D 81/3879 220/592.16
6,604,649	B1 *	8/2003	Campi .....	B65D 81/3886 220/592.17
D513,939	S *	1/2006	Leonzo .....	D7/608
8,720,739	B2 *	5/2014	Bollis .....	B65D 81/3879 220/739
D709,337	S	7/2014	Miller	
D788,545	S *	6/2017	Petre .....	D7/608
2013/0075412	A1 *	3/2013	Schminke .....	B65D 81/3876 220/739

\* cited by examiner

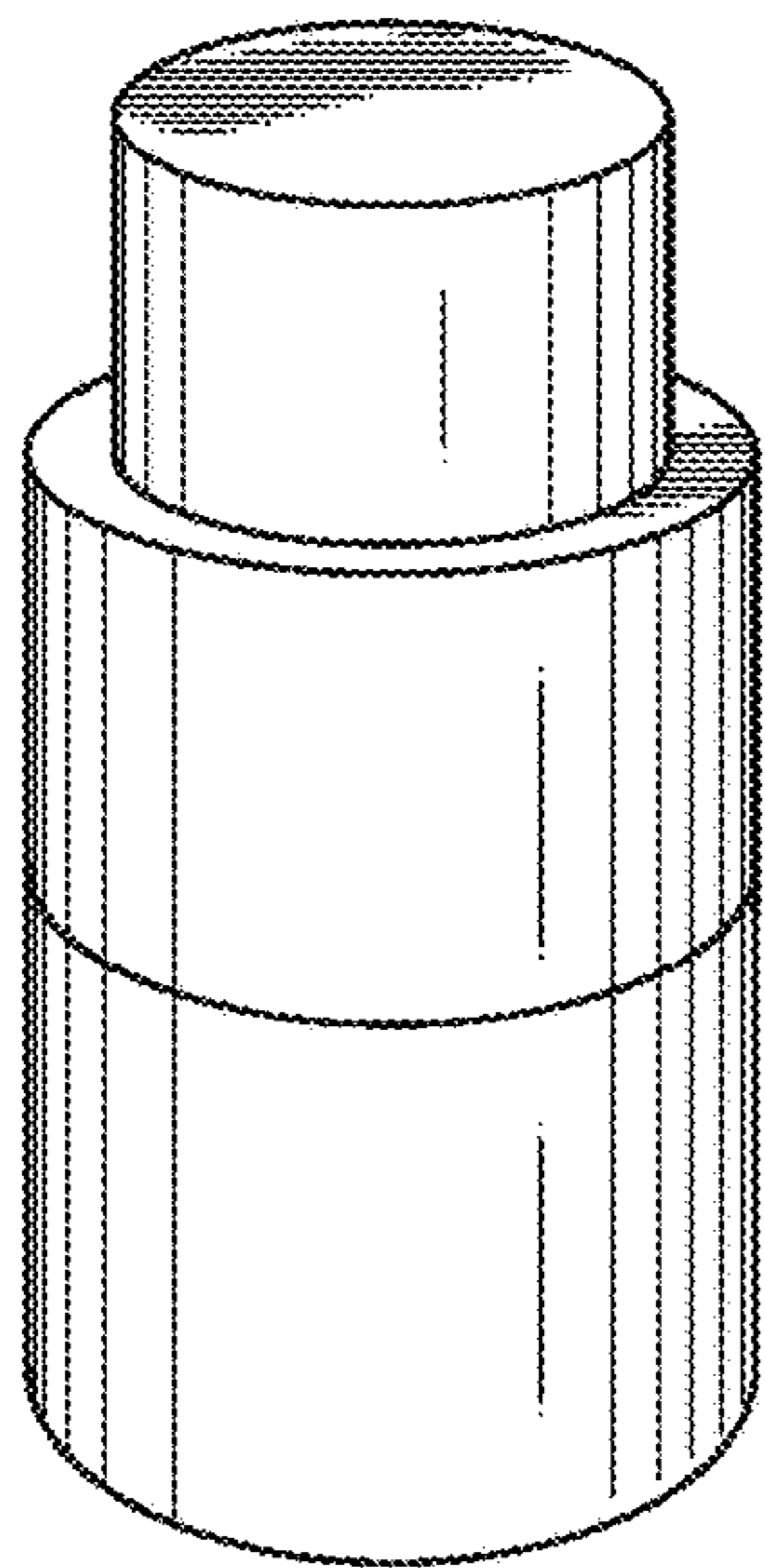


FIG. 1

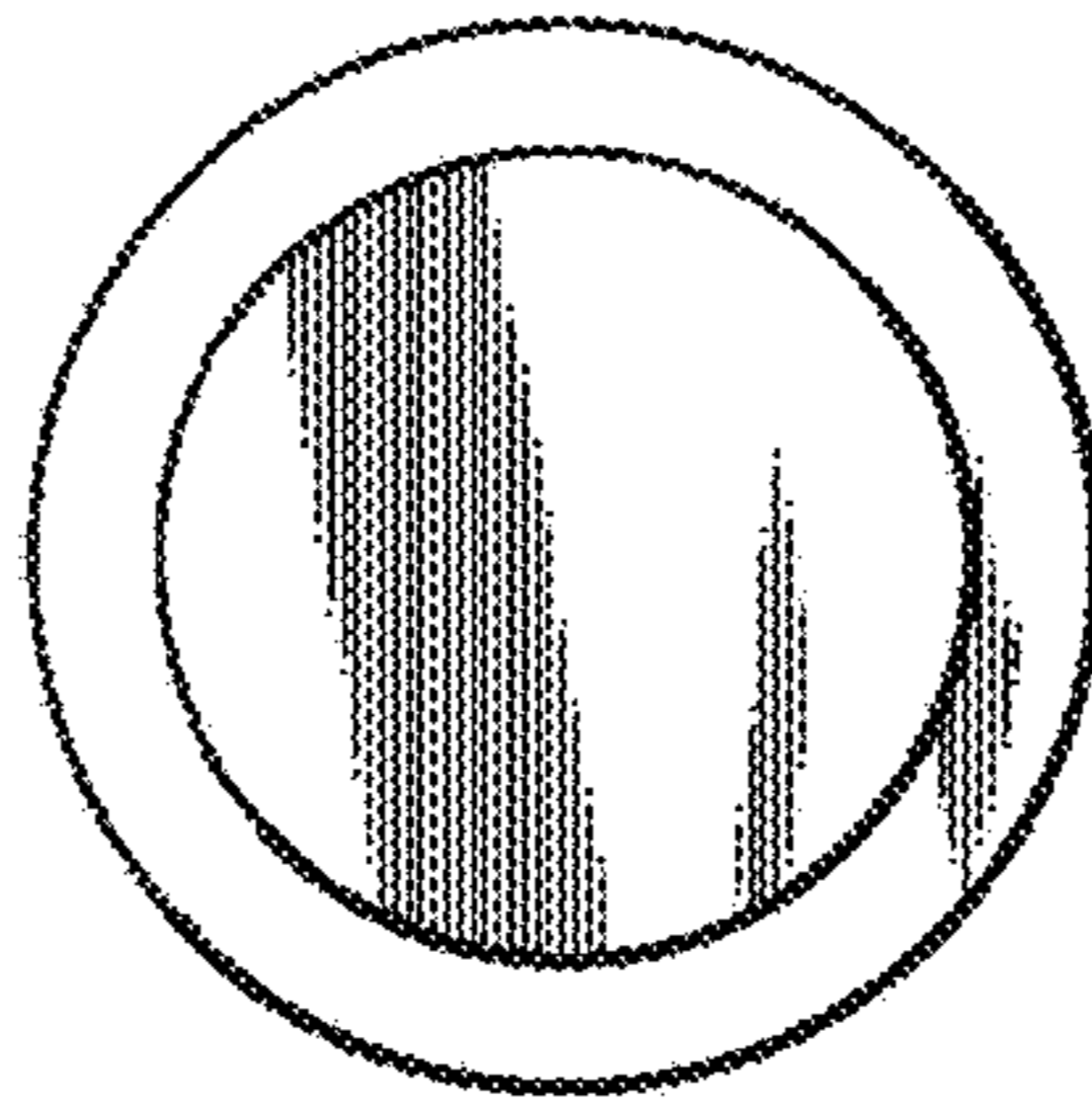


FIG. 4

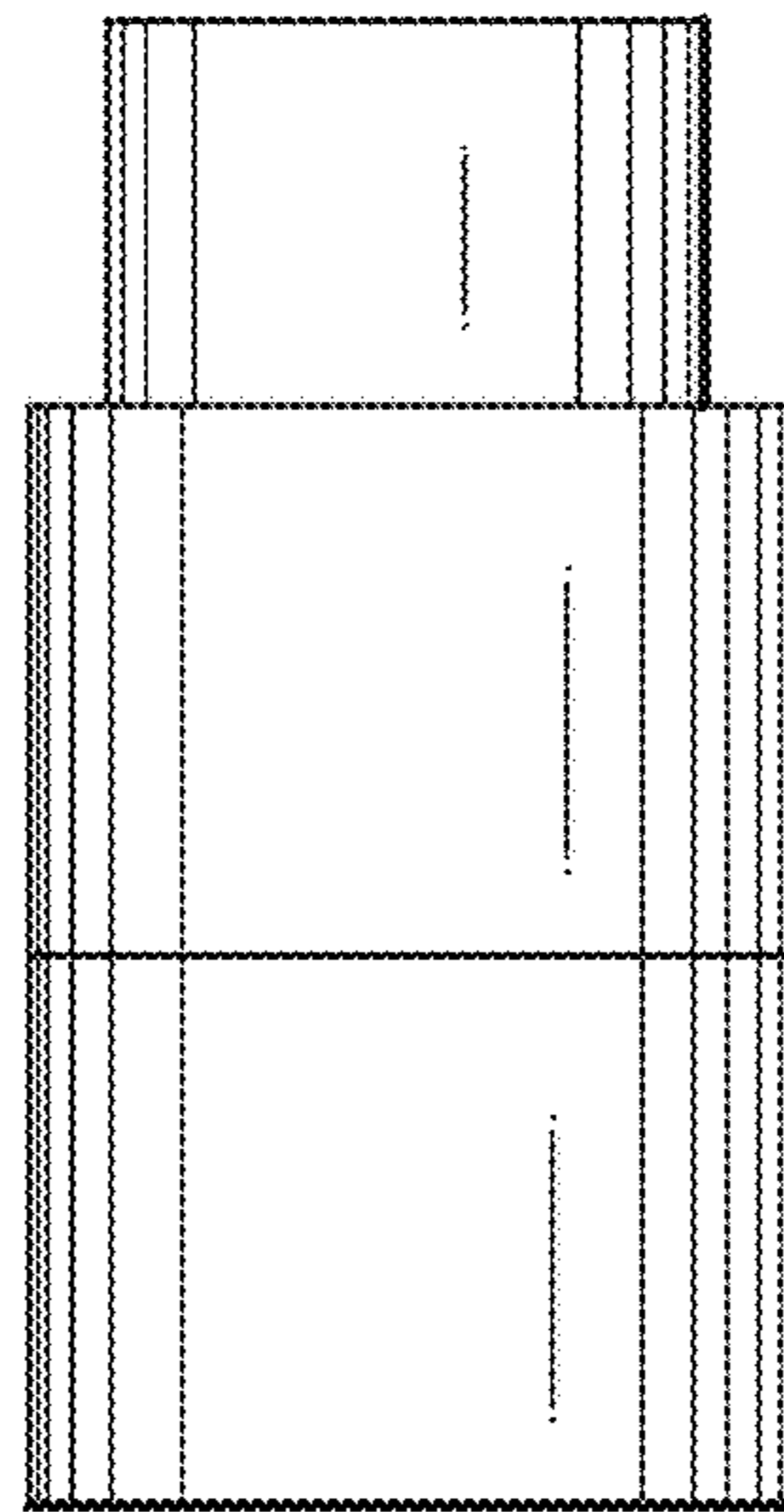


FIG. 2

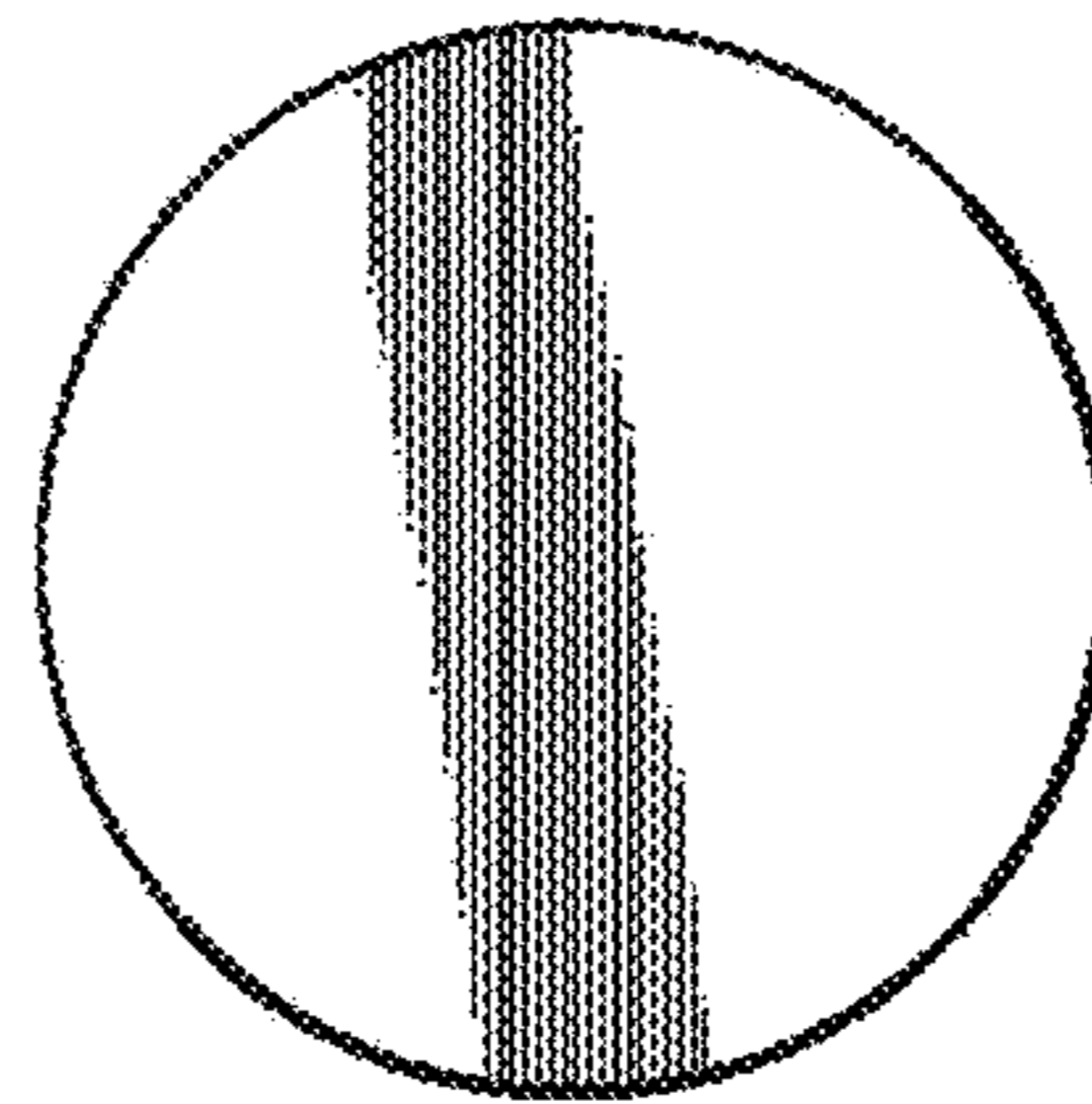


FIG. 3

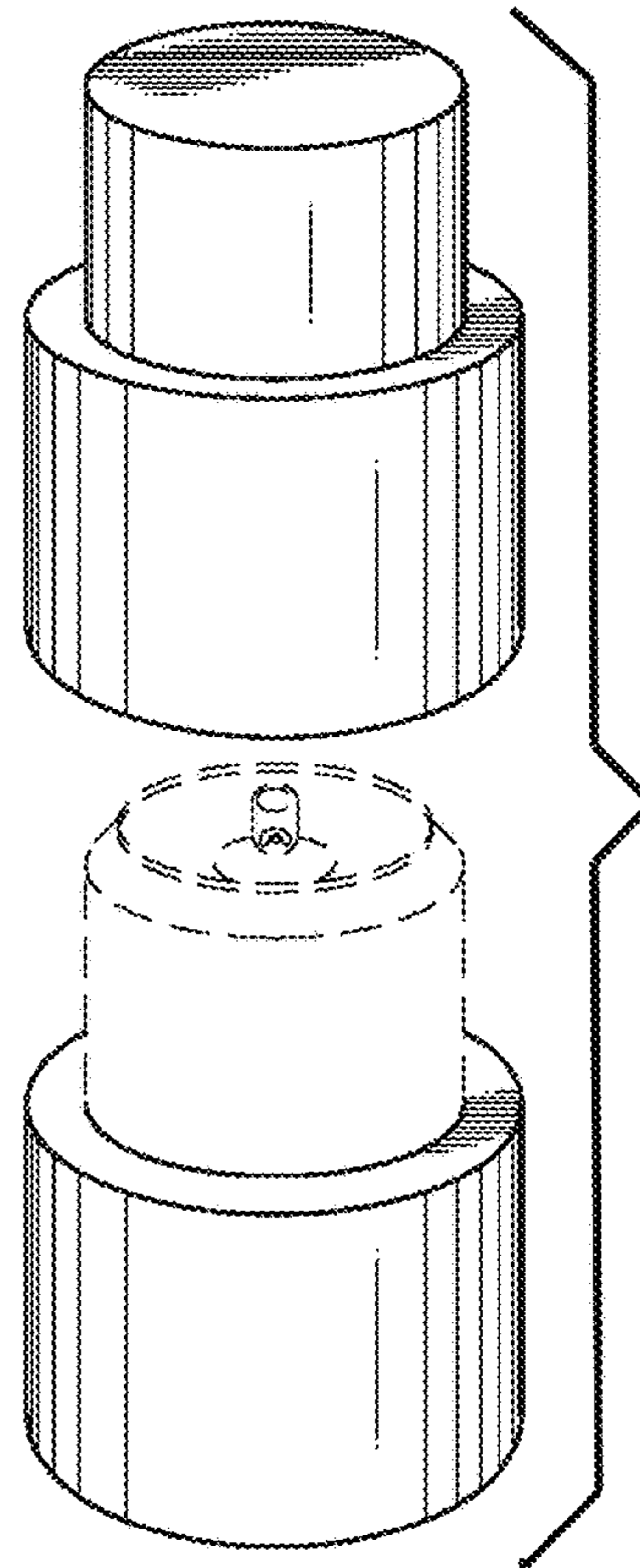


FIG. 5

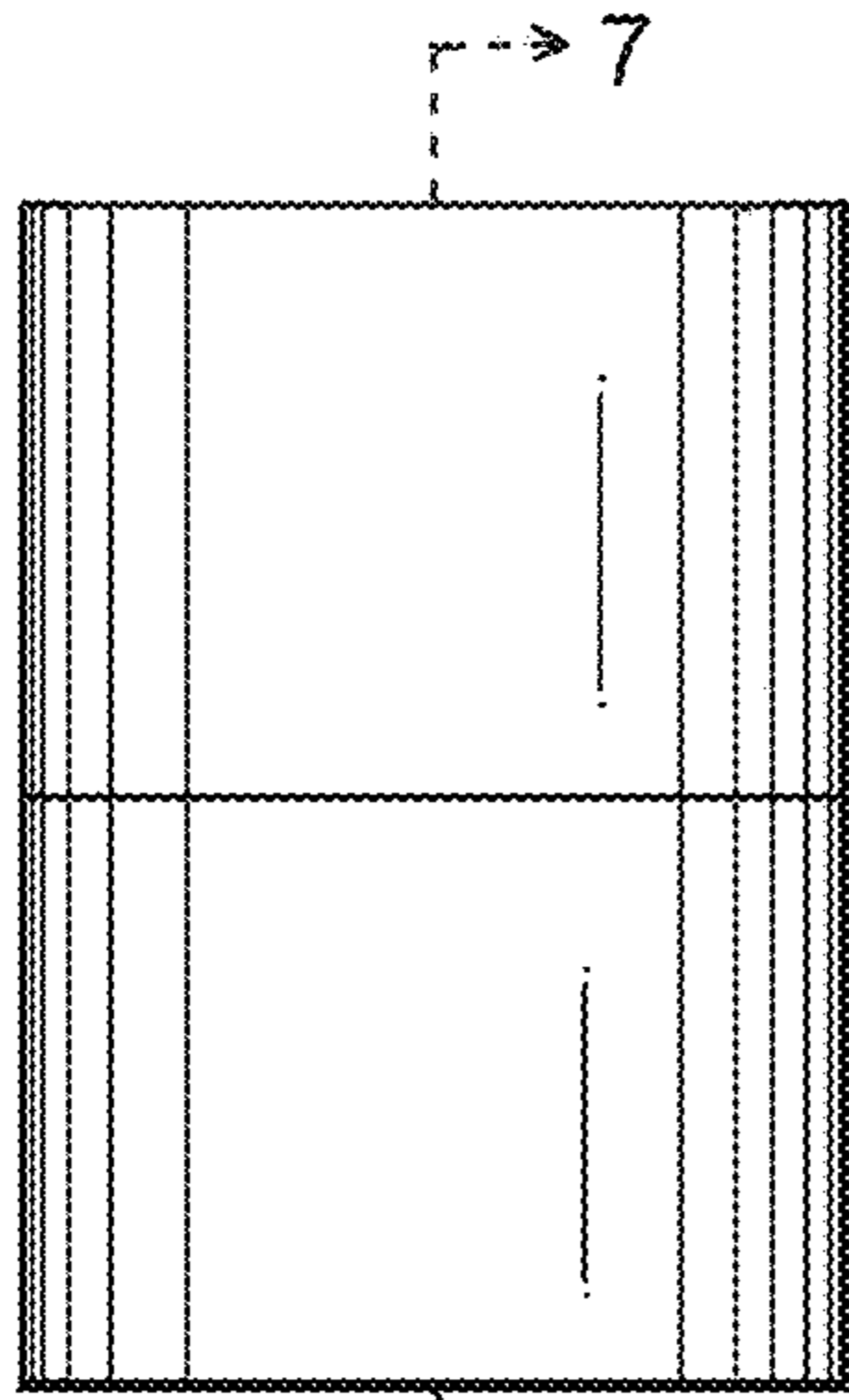


FIG. 6

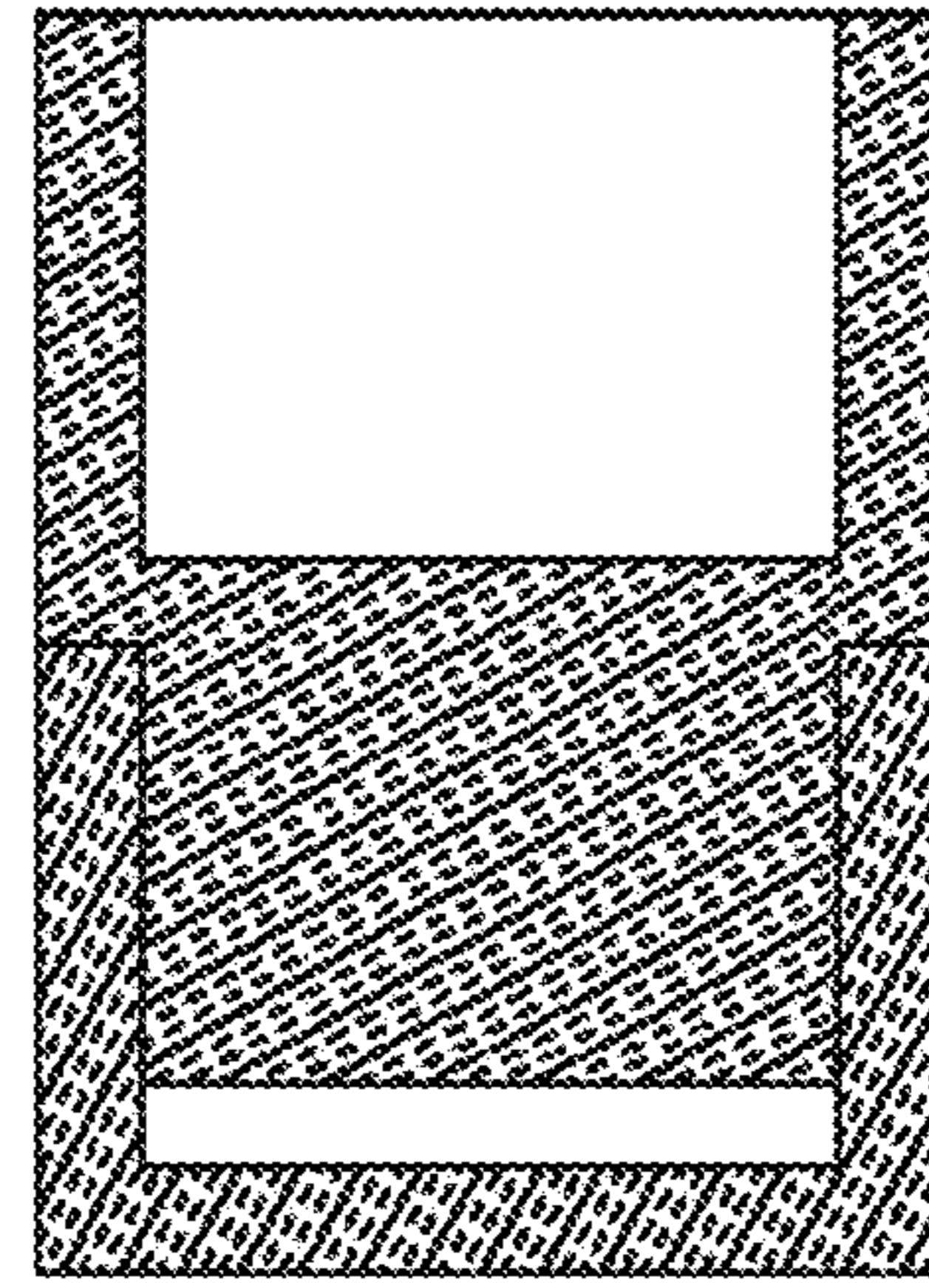


FIG. 7

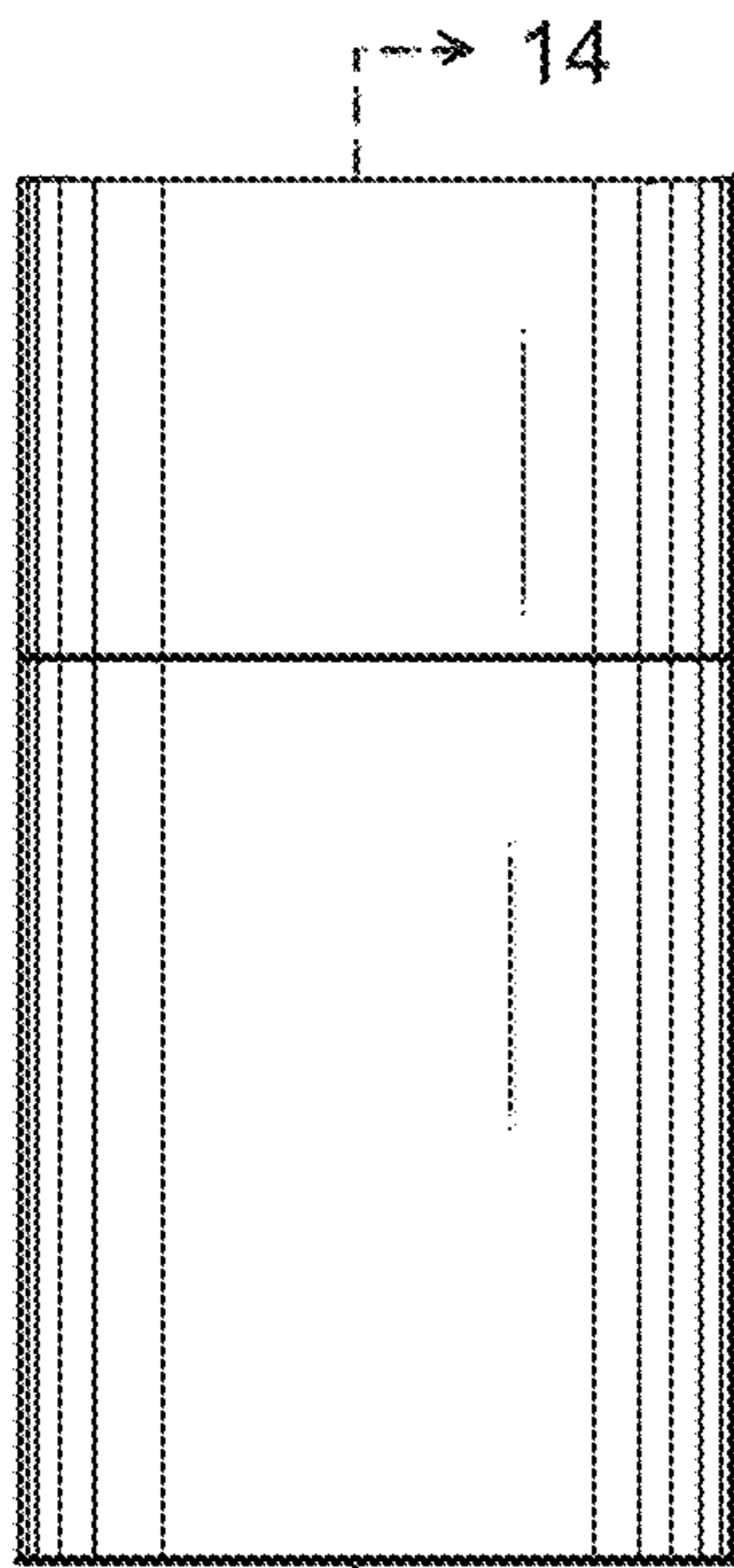


FIG. 13

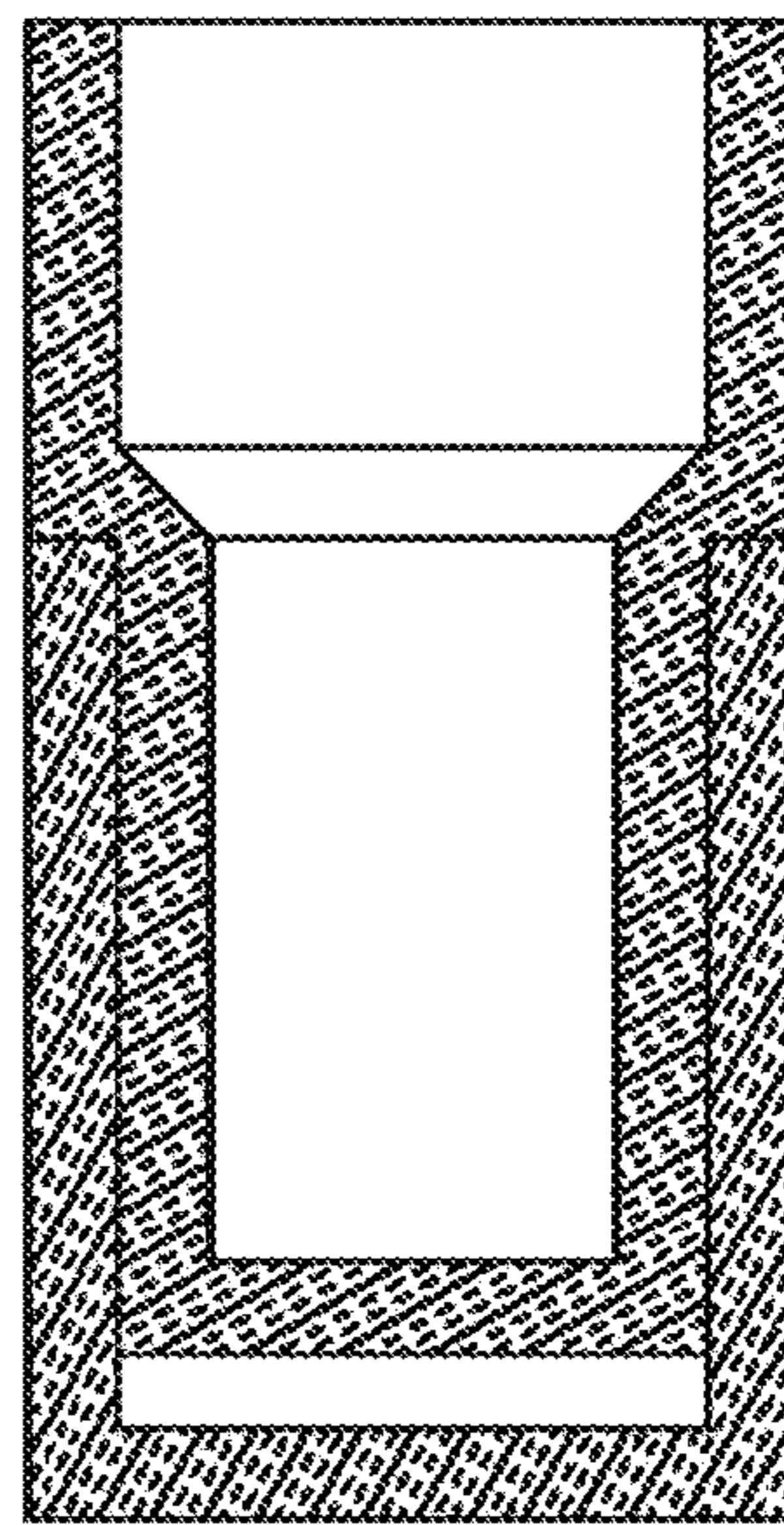


FIG. 14

