



US00D859086S

(12) **United States Design Patent** (10) **Patent No.:** **US D859,086 S**
Olson et al. (45) **Date of Patent:** **** Sep. 10, 2019**

(54) **TOP-LOADING, THERMALLY-INSULATED FOOD CARRIER**

(71) Applicant: **InterMetro Industries Corporation**, Wilkes-Barre, PA (US)

(72) Inventors: **Jeffrey C. Olson**, Dallas, PA (US); **Todd Robinson**, Nazareth, PA (US)

(73) Assignee: **INTERMETRO INDUSTRIES CORPORATION**, Wilkes-Barre, PA (US)

(**) Term: **15 Years**

(21) Appl. No.: **29/634,700**

(22) Filed: **Jan. 24, 2018**

(51) **LOC (12) Cl.** **07-01**

(52) **U.S. Cl.**
USPC **D7/605**

(58) **Field of Classification Search**
USPC D7/603-607, 629, 630; D3/272-274, D3/203.1-203.8, 201, 202-206
CPC .. A45C 11/20; A45C 9/00; A45C 5/14; A45C 5/03; F25D 3/08; F25D 3/06; F25D 3/14; F25D 3/12; F25D 2331/804; A47B 77/08; F25B 19/00; A47J 41/022; A47G 19/2288
See application file for complete search history.

(56) **References Cited**

U.S. PATENT DOCUMENTS

D361,511 S * 8/1995 Dickinson D7/605
D374,772 S * 10/1996 Hotaling D3/273
D400,053 S * 10/1998 Coffee D7/605
D420,860 S * 2/2000 Golichowski D7/605

(Continued)

OTHER PUBLICATIONS

Thermohauser Product Catalog [Catalog], Thermohauser of America, Inc., 2016.

(Continued)

Primary Examiner — Terry A Wallace

(74) *Attorney, Agent, or Firm* — Harness, Dickey & Pierce, P.L.C.

(57) **CLAIM**

The ornamental design for a top-loading, thermally-insulated food carrier, as shown and described.

DESCRIPTION

FIG. 1 is top-front perspective view of another alternate embodiment of a top-loading, thermally-insulated food carrier of the present design;

FIG. 2 is a bottom-front perspective view of the food carrier of FIG. 13;

FIG. 3 is a front view of the food carrier of FIG. 13, the back view being substantially a mirror image thereof;

FIG. 4 is a right side view of the food carrier of FIG. 13, the left side view being substantially a mirror image thereof;

FIG. 5 is a top view of the food carrier of FIG. 13; and

FIG. 6 is a bottom view of the food carrier of FIG. 13;

FIG. 7 is top-front perspective view of alternate embodiment of a top-loading, thermally-insulated food carrier of the present design;

FIG. 8 is a bottom-front perspective view of the food carrier of FIG. 7;

FIG. 9 is a front view of the food carrier of FIG. 7, the back view being substantially a mirror image thereof;

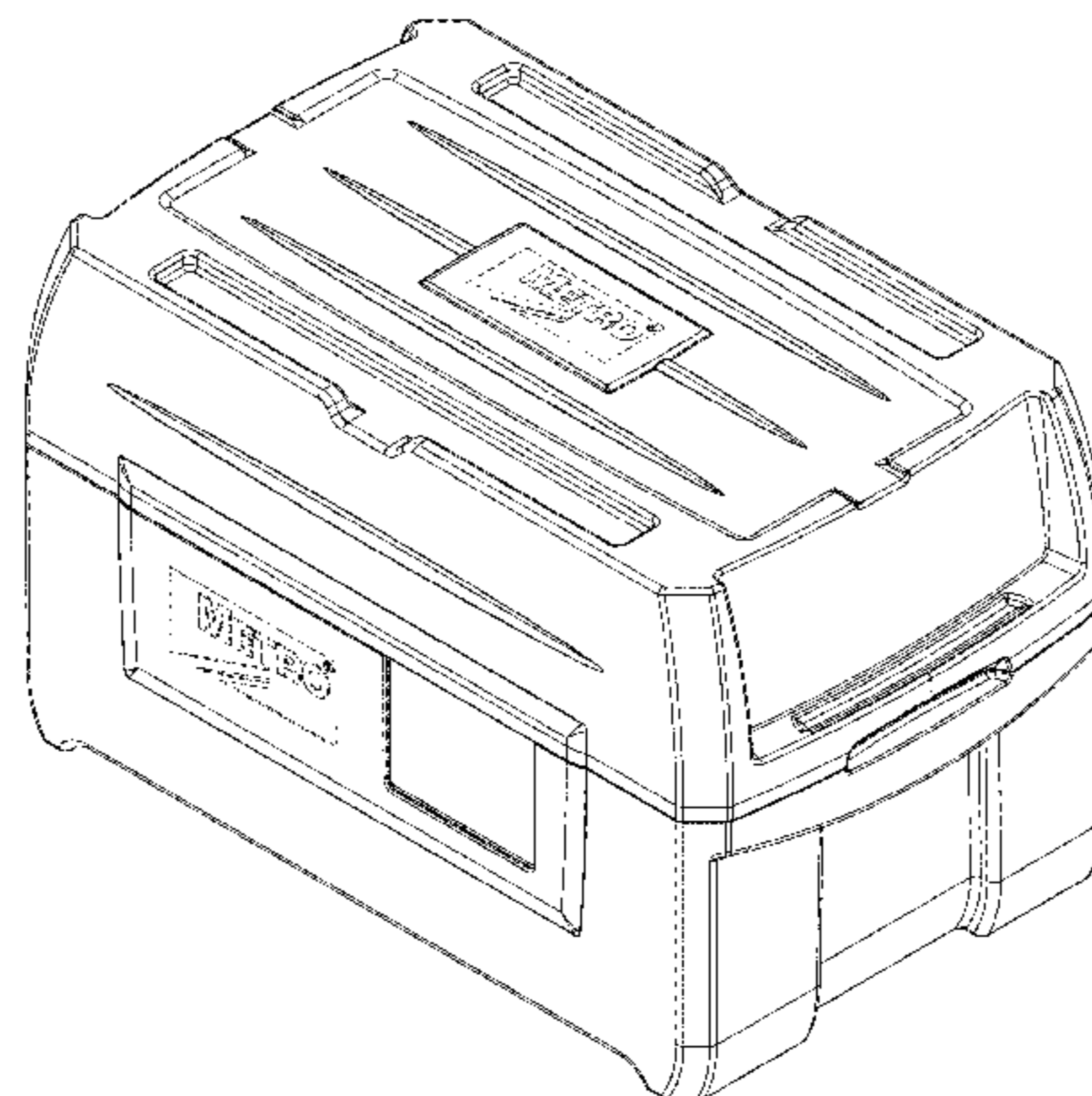
FIG. 10 is a right side view of the food carrier of FIG. 7, the left side view being substantially a mirror image thereof;

FIG. 11 is a top view of the food carrier of FIG. 7; and,

FIG. 12 is a bottom view of the food carrier of FIG. 7.

It is to be understood that those portions shown in broken lines in the accompanying figures form no part of the present design and are for illustrative purposes only.

1 Claim, 12 Drawing Sheets



(56)

References Cited

U.S. PATENT DOCUMENTS

6,182,462 B1 * 2/2001 Bania A45C 11/20
62/264
D566,479 S * 4/2008 Kabalin D3/273
8,887,515 B2 * 11/2014 Patstone F25D 3/08
62/457.2
D773,899 S * 12/2016 Jarvis D7/605

OTHER PUBLICATIONS

Polibox #SmartPolibox Collezione [Catalog], Headquarter S.D.S. srl, 2017.
Cambro Cam GoBox [Brochure], Cambro Manufacturing Company, Apr. 2017.
Thermo Future Box [Catalog], Barth GmbH, 2017.
Kängabox *FreshBlue Professional* [Brochure], FEURER Group GmbH, 2017.

Kängabox *Comfort* [Brochure], FEURER Group GmbH, Jul. 2016.
Kängabox *Easy* [Brochure], FEURER Group GmbH, Jun. 2016.
Kängabox *Expert 60x40* [Brochure], FEURER Group GmbH, Jul. 2016.
Kängabox *Expert GN* [Brochure], FEURER Group GmbH, Jun. 2016.
Kängabox *Professional* [Brochure], FEURER Group GmbH, Sep. 2011.
Kängabox *Tower 60x40* [Brochure], FEURER Group GmbH, Jul. 2016.
Kängabox *Tower GN* [Brochure], FEURER Group GmbH, Sep. 2011.
Kängabox *Tower GN Euro* [Brochure], FEURER Group GmbH, Jul. 2015.
Kängabox *Trip* [Brochure], FEURER Group GmbH, Jun. 2016.
Kängabox [Brochure], FEURER Group GmbH, Sep. 2011.
Kängabox [Mini Brochure], FEURER Group GmbH, Sep. 2011.

* cited by examiner



FIG - 1

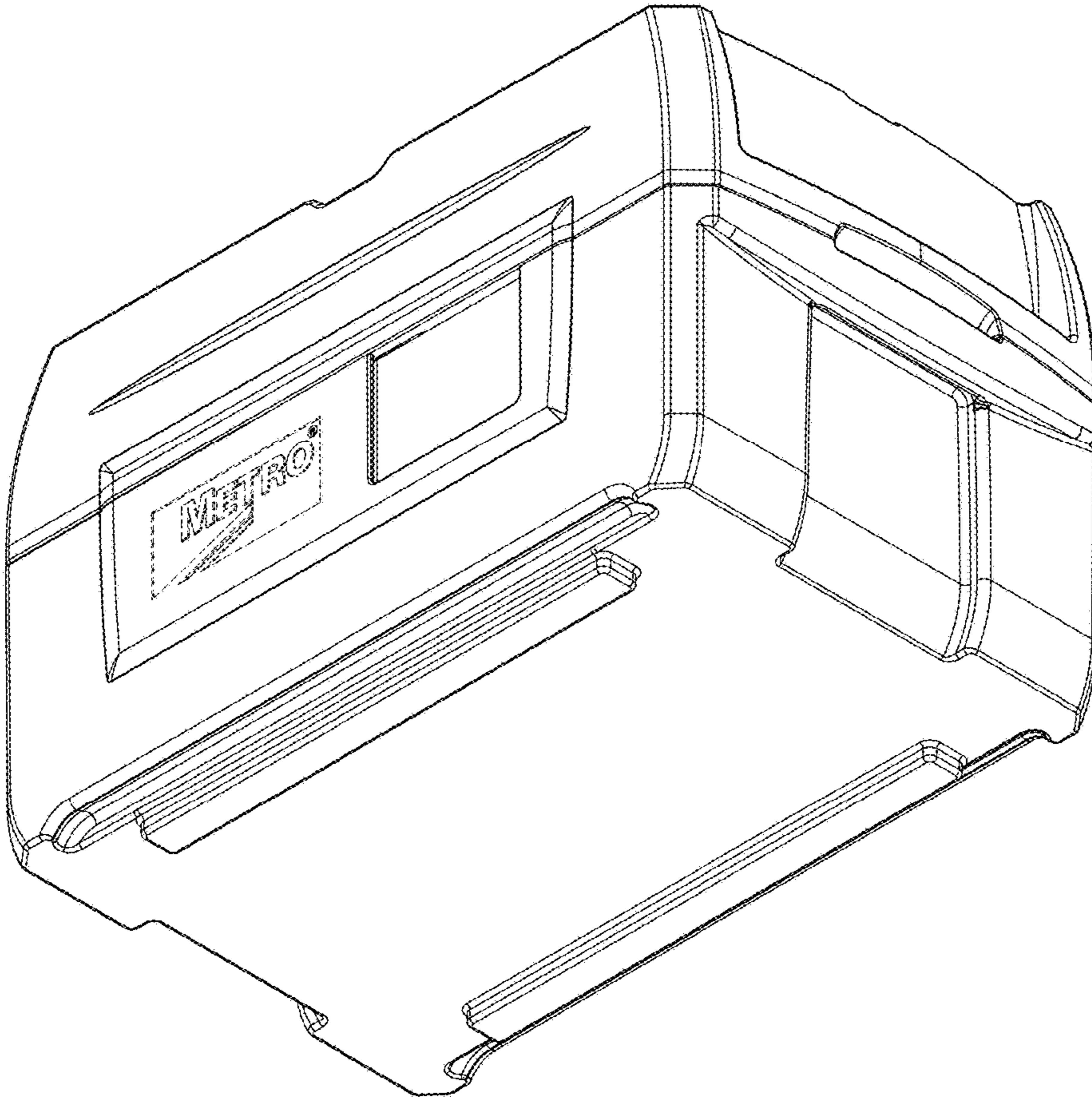


FIG - 2

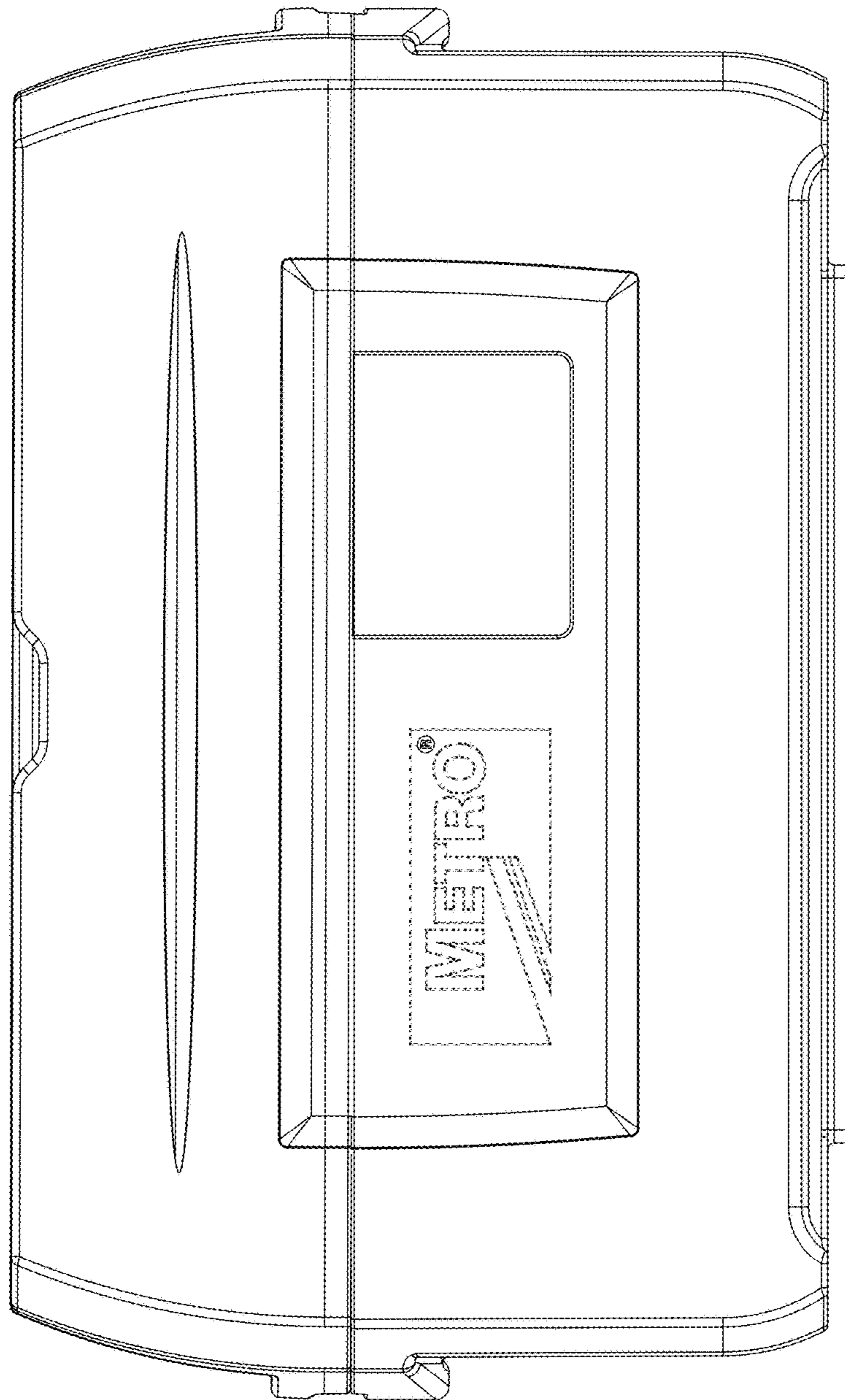


FIG - 3

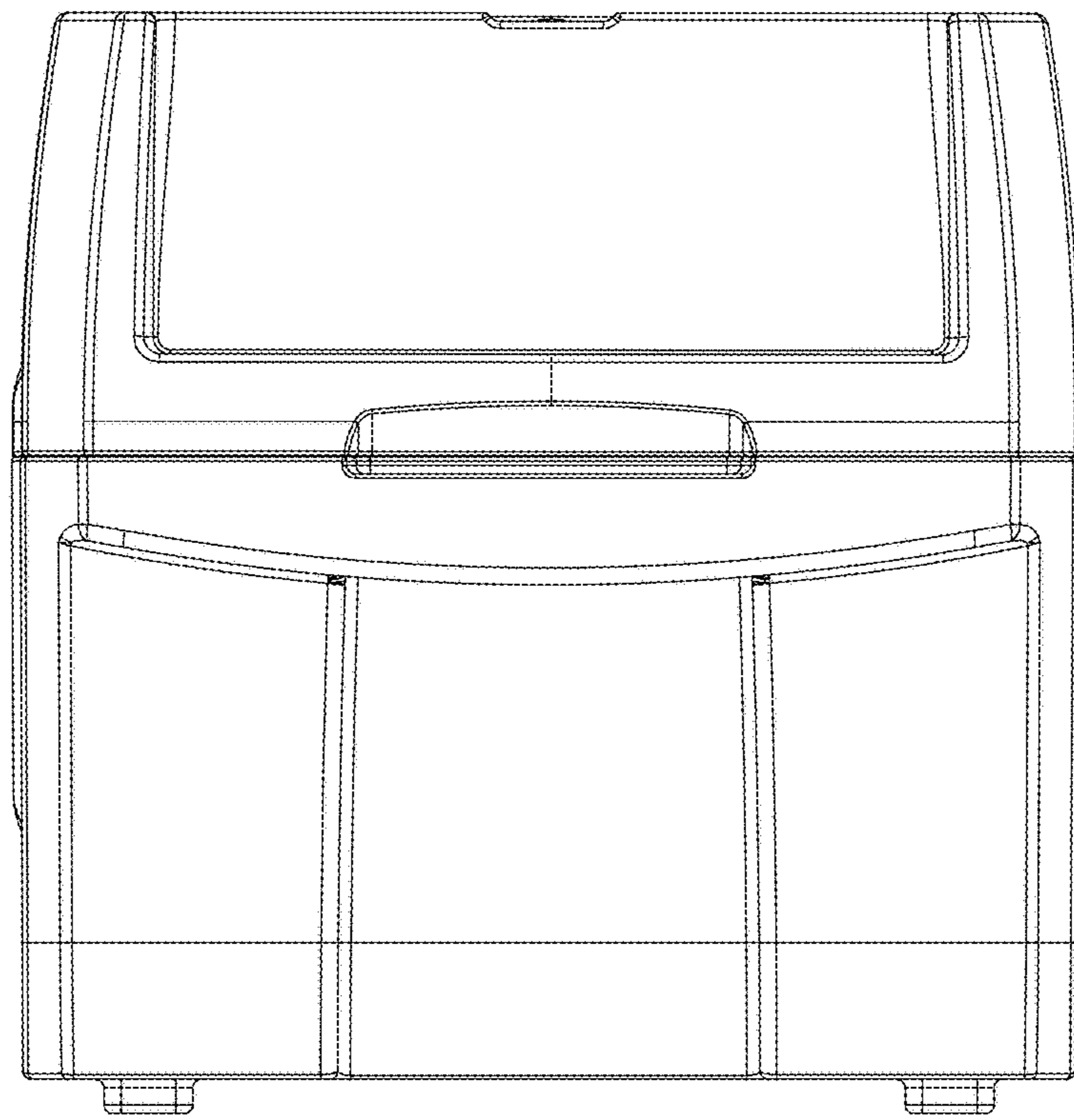


FIG - 4

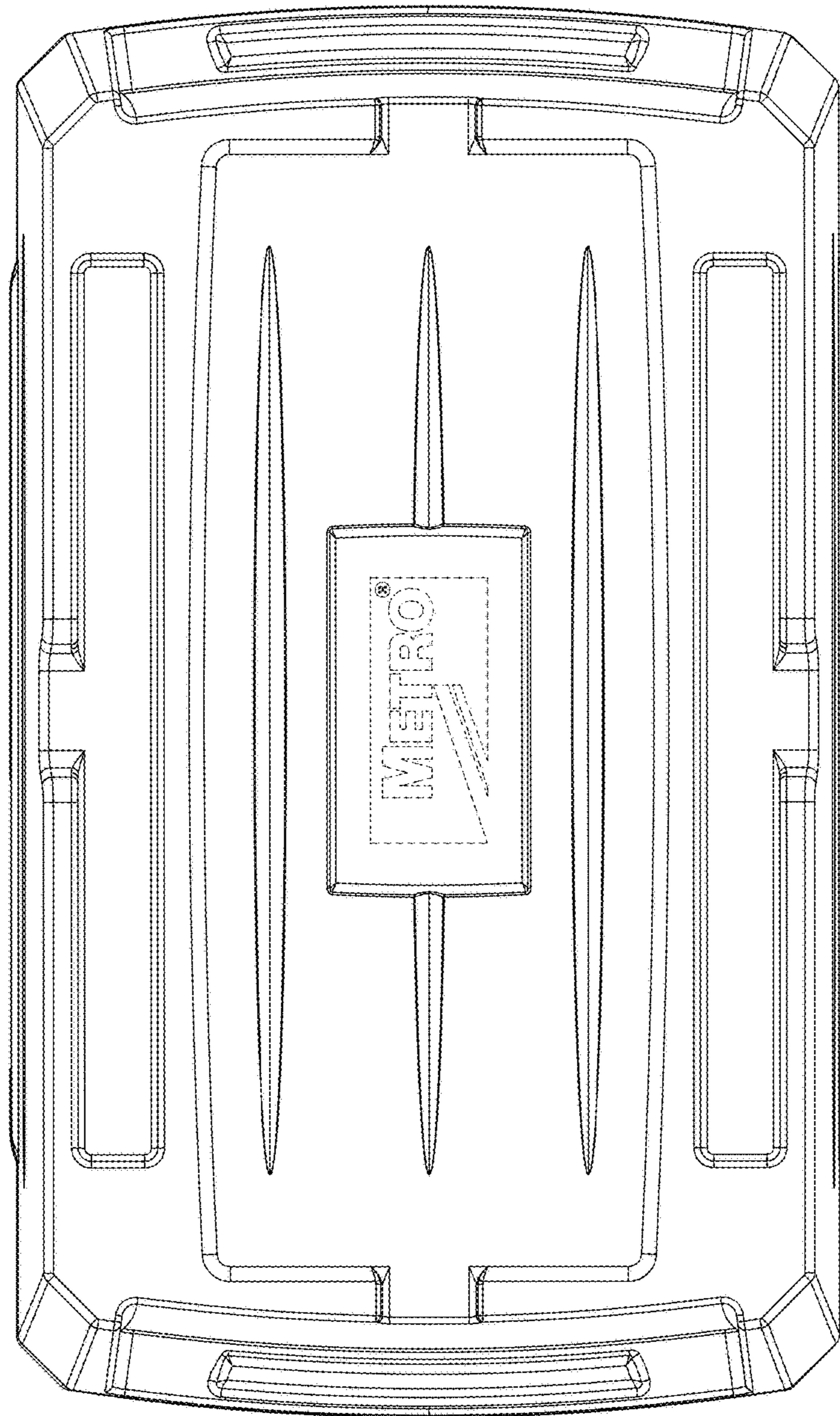


FIG - 5

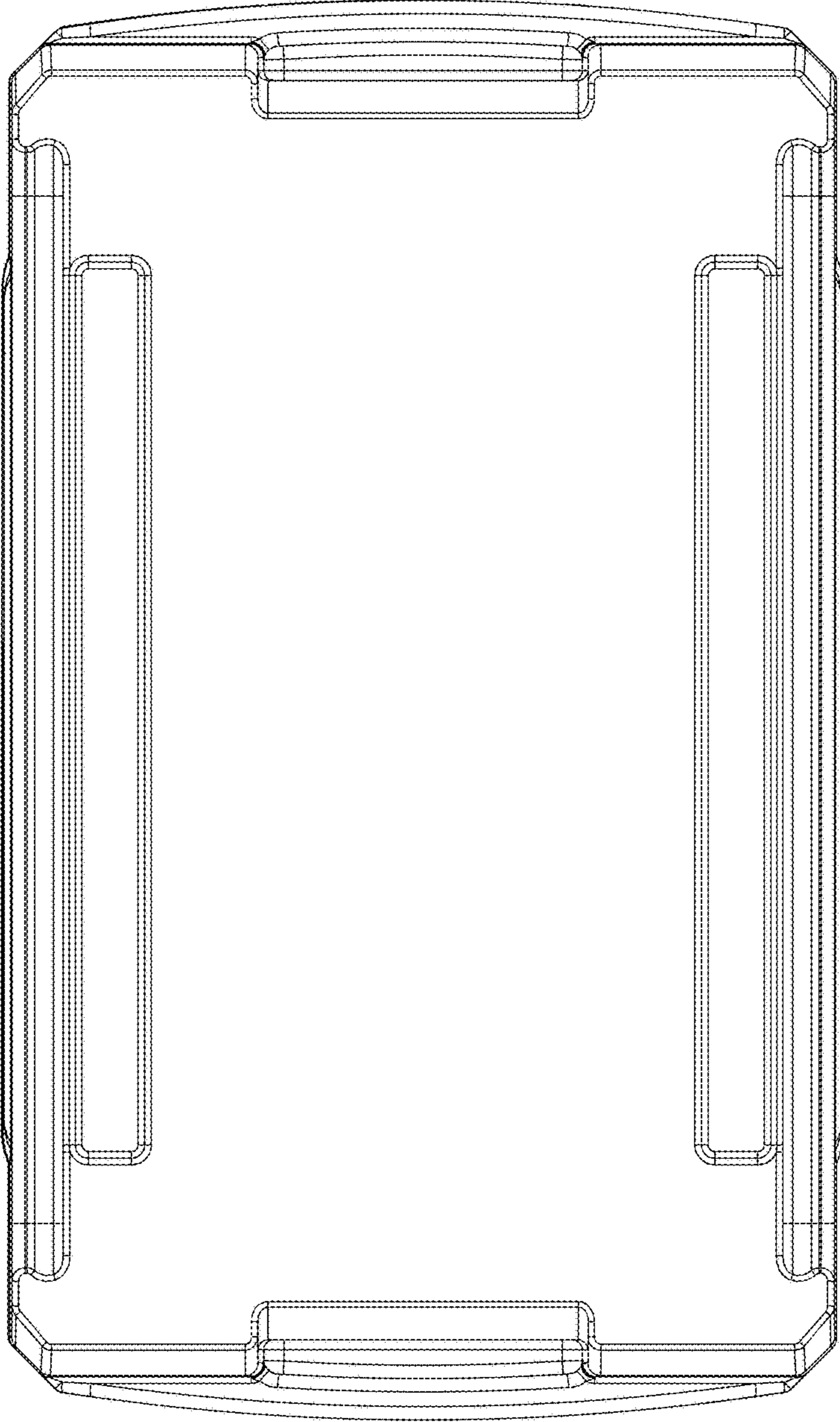


FIG - 6

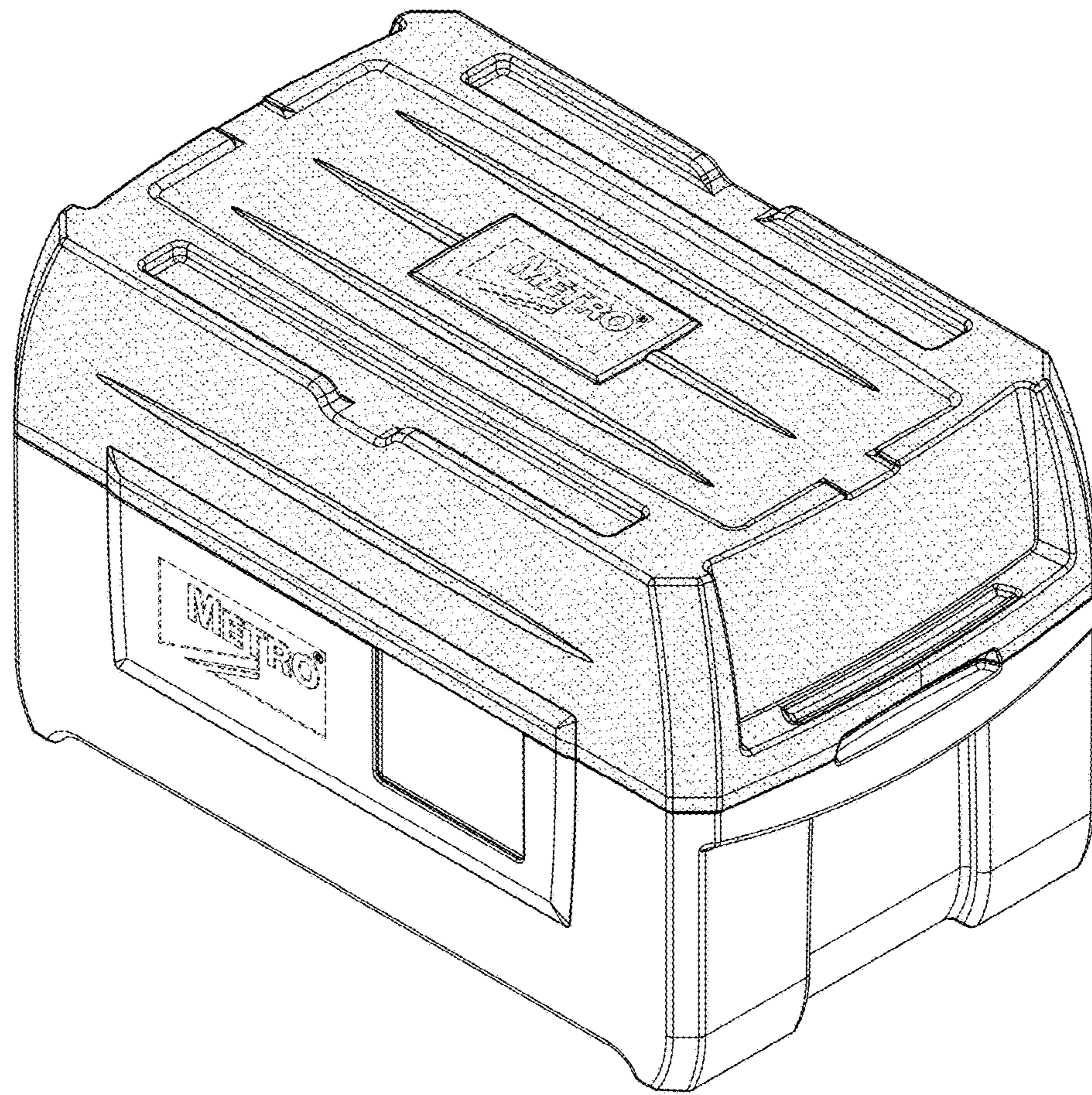


FIG - 7

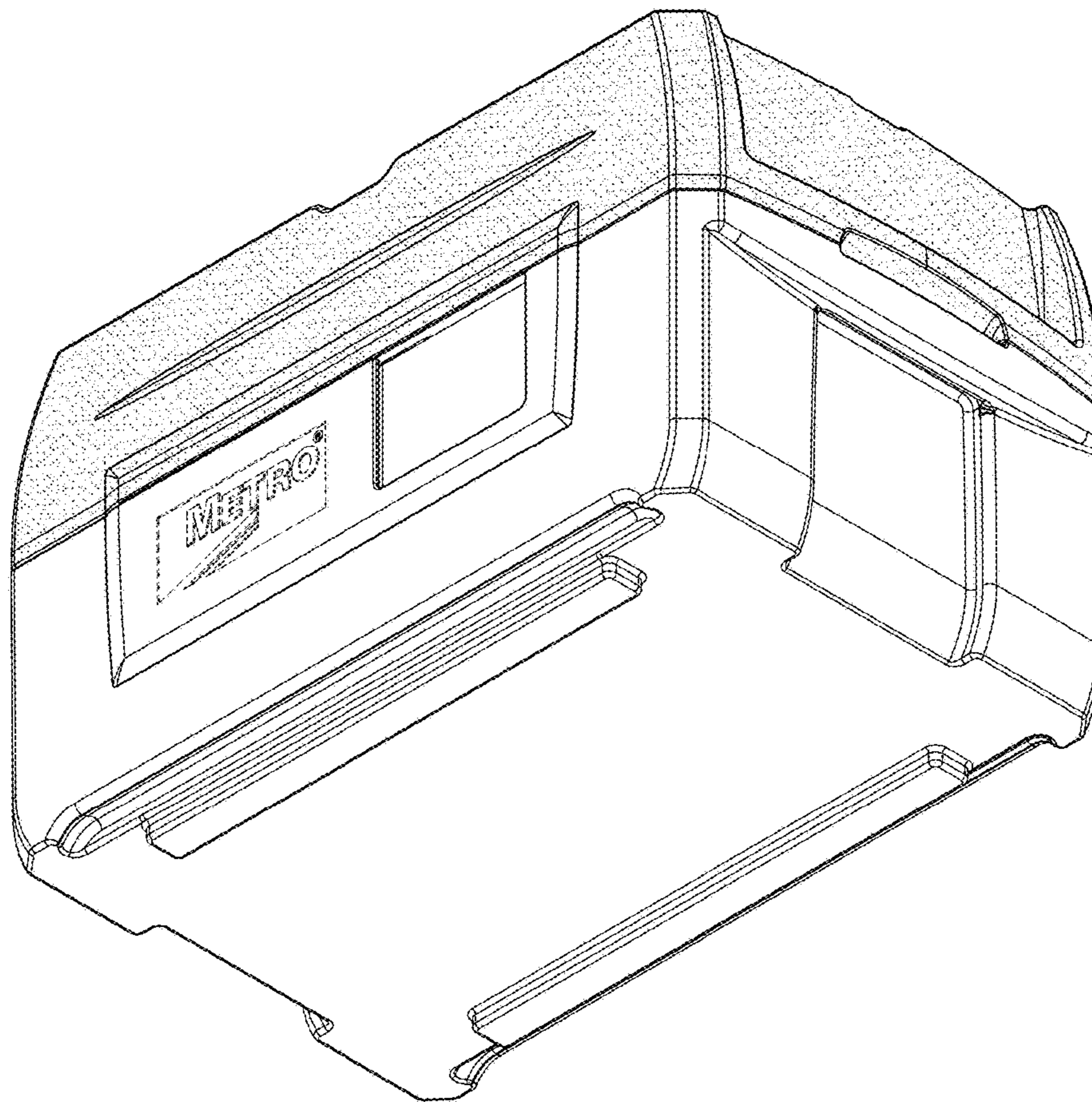


FIG - 8

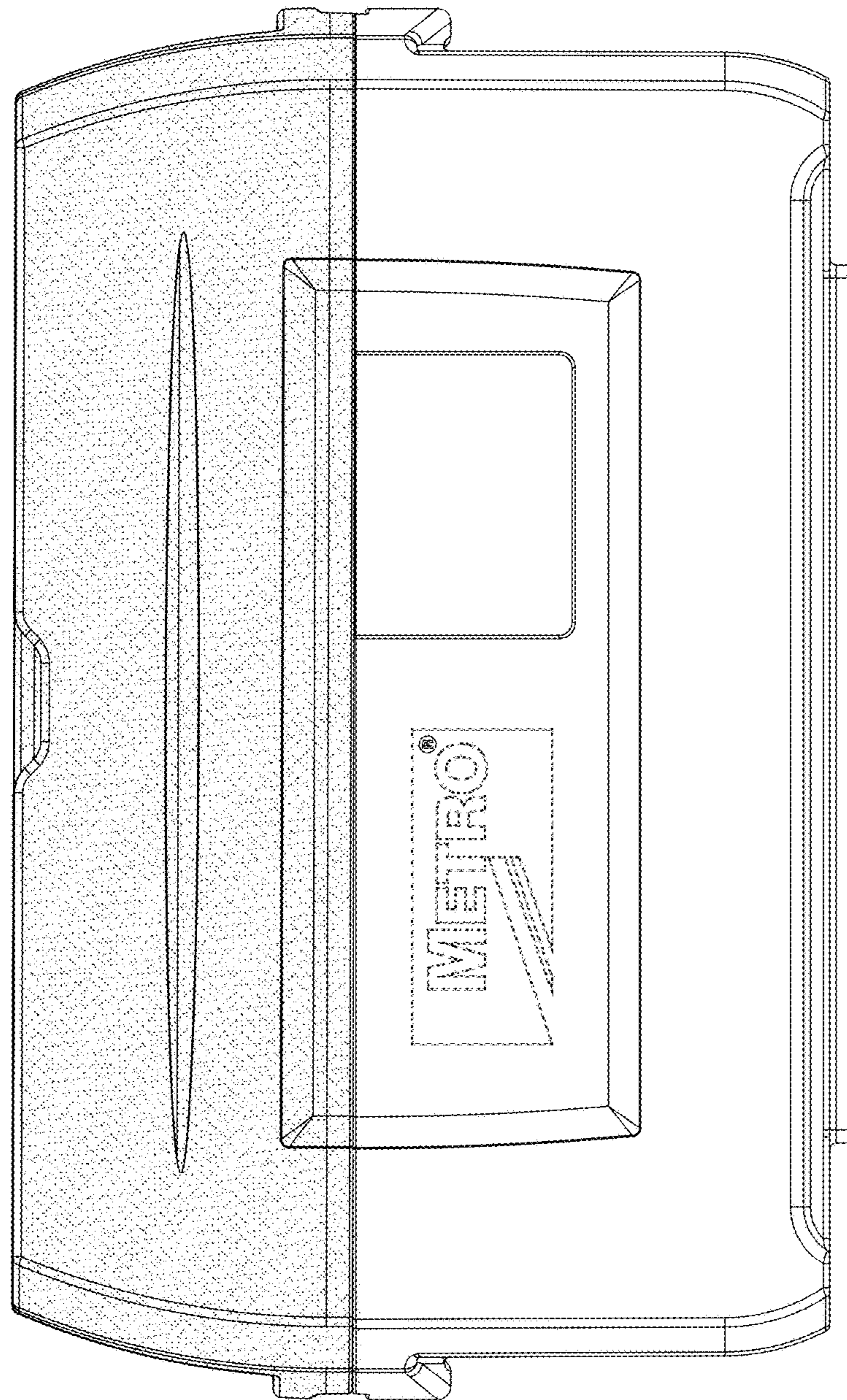


FIG - 9

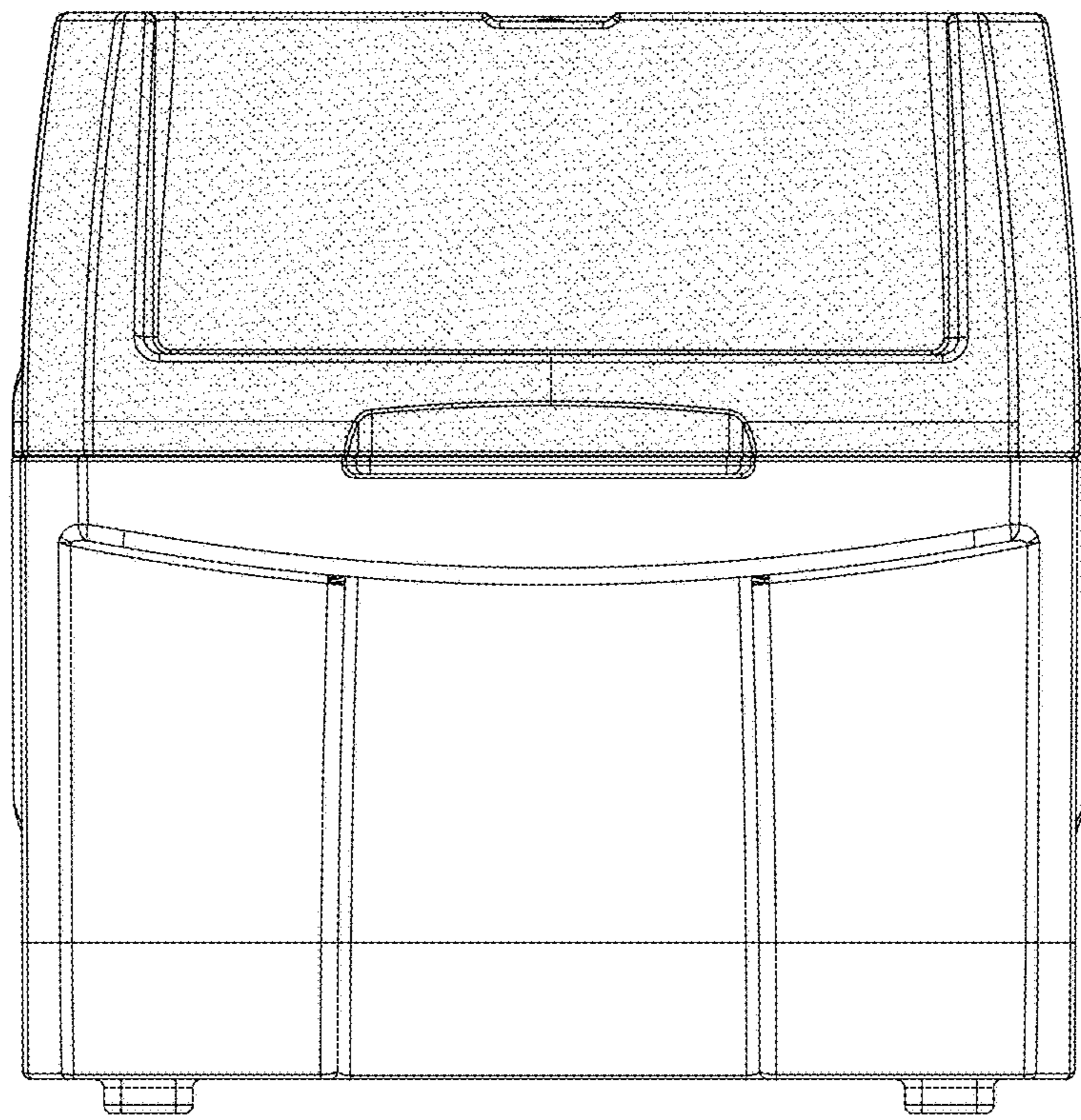


FIG - 10

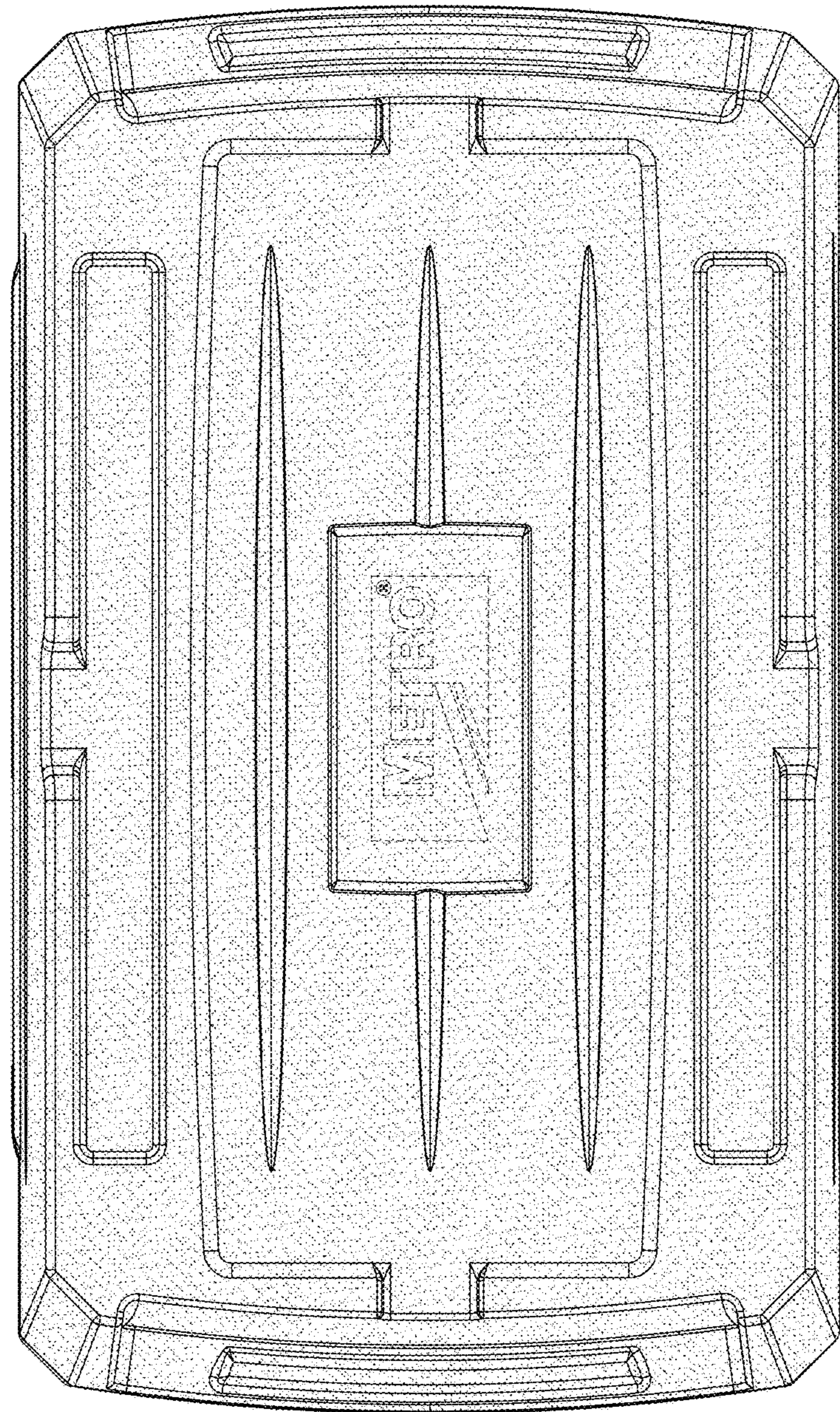


FIG - 11

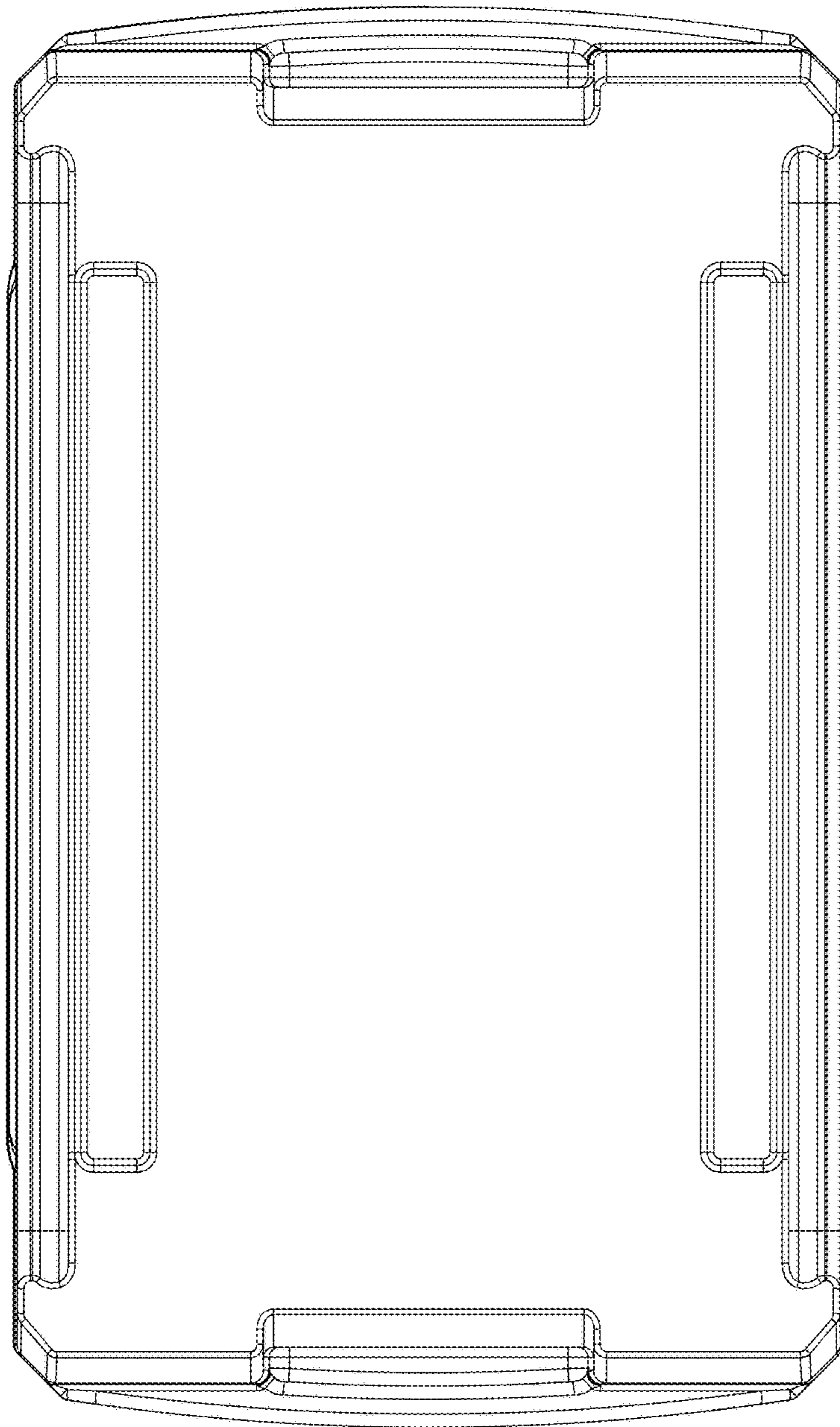


FIG - 12