



US00D859085S

(12) **United States Design Patent** (10) **Patent No.:** **US D859,085 S**
Delgado Carmona (45) **Date of Patent:** **** Sep. 10, 2019**

(54) **STACKABLE CONTAINER BASE**
(71) Applicant: **Dart Industries Inc.**, Orlando, FL (US)
(72) Inventor: **Sara L. Delgado Carmona**, Orlando, FL (US)

D645,707 S * 9/2011 Stamper D7/602
D708,910 S * 7/2014 Heiberg D7/602
D759,421 S 6/2016 Wiggins
D769,080 S 10/2016 Wiggins
2009/0236255 A1* 9/2009 Piacenza A47J 47/08
206/508

(73) Assignee: **Dart Industries Inc.**, Orlando, FL (US)
(**) Term: **15 Years**
(21) Appl. No.: **29/637,949**

FOREIGN PATENT DOCUMENTS

JP D1433142 2/2012
JP D1554123 7/2016
JP D1554125 7/2016
KR 30-0858813 6/2016

* cited by examiner

(22) Filed: **Feb. 23, 2018**
(51) **LOC (12) Cl.** **07-07**
(52) **U.S. Cl.**
USPC **D7/602**

Primary Examiner — Terry A Wallace

(74) *Attorney, Agent, or Firm* — Taylor J. Ross

(58) **Field of Classification Search**
USPC D7/601, 602, 629, 630, 612–615,
D7/538–549; D9/424–432; D3/273, 274,
D3/276
CPC .. A47J 47/08; A47J 47/00; A47J 47/02; A47J
47/14; B65D 21/00; B65D 21/02; B65D
21/0217; B65D 21/0219; B65D 1/22;
B65D 43/00; B65D 81/3216; B65D
43/0206; A45C 11/20
See application file for complete search history.

(57) **CLAIM**

The ornamental design for a stackable container base, as shown and described.

(56) **References Cited**

U.S. PATENT DOCUMENTS

4,091,953 A * 5/1978 Daenen A47J 47/02
220/23.86
4,700,842 A 10/1987 Grusin
D338,807 S * 8/1993 Conti D7/354
5,409,126 A * 4/1995 DeMars B65D 21/0219
206/499
D470,018 S 2/2003 Claypool
7,510,096 B2 * 3/2009 Wang B65D 21/0219
206/508

DESCRIPTION

FIG. 1 is a top, left and front isometric view of a stackable container base showing my new design;
FIG. 2 is a bottom, left and rear isometric view thereof;
FIG. 3 is a top plan view thereof;
FIG. 4 is a bottom plan view thereof;
FIG. 5 is a front elevation view, the rear elevation being identical thereto;
FIG. 6 is a left side elevation view, the right side elevation being identical thereto;
FIG. 7 is a cross-sectional view taken along line-7-7 of FIG. 3; and,
FIG. 8 is a cross-sectional view taken along line-8-8 of FIG. 3.

1 Claim, 4 Drawing Sheets

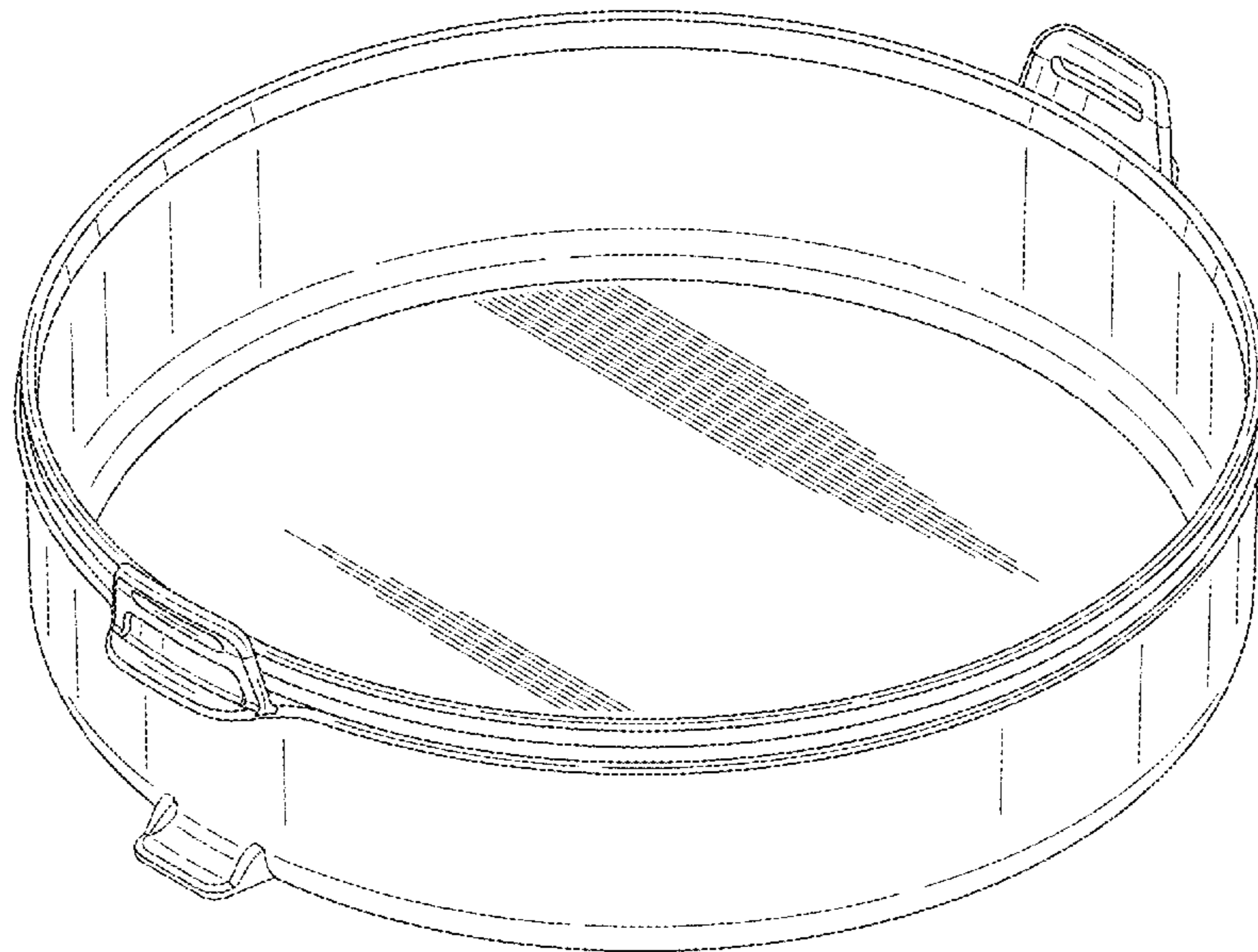


FIG. 1

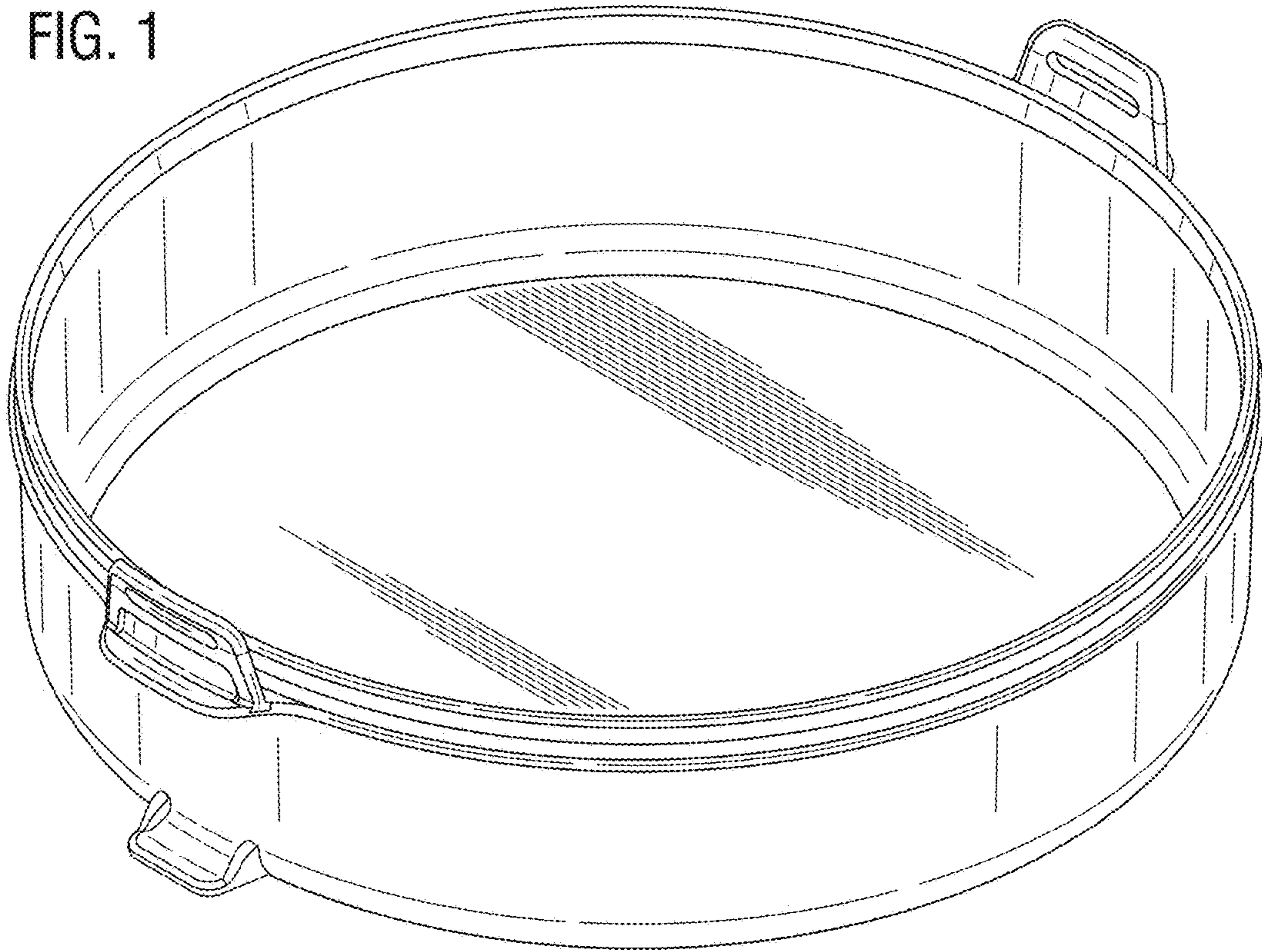
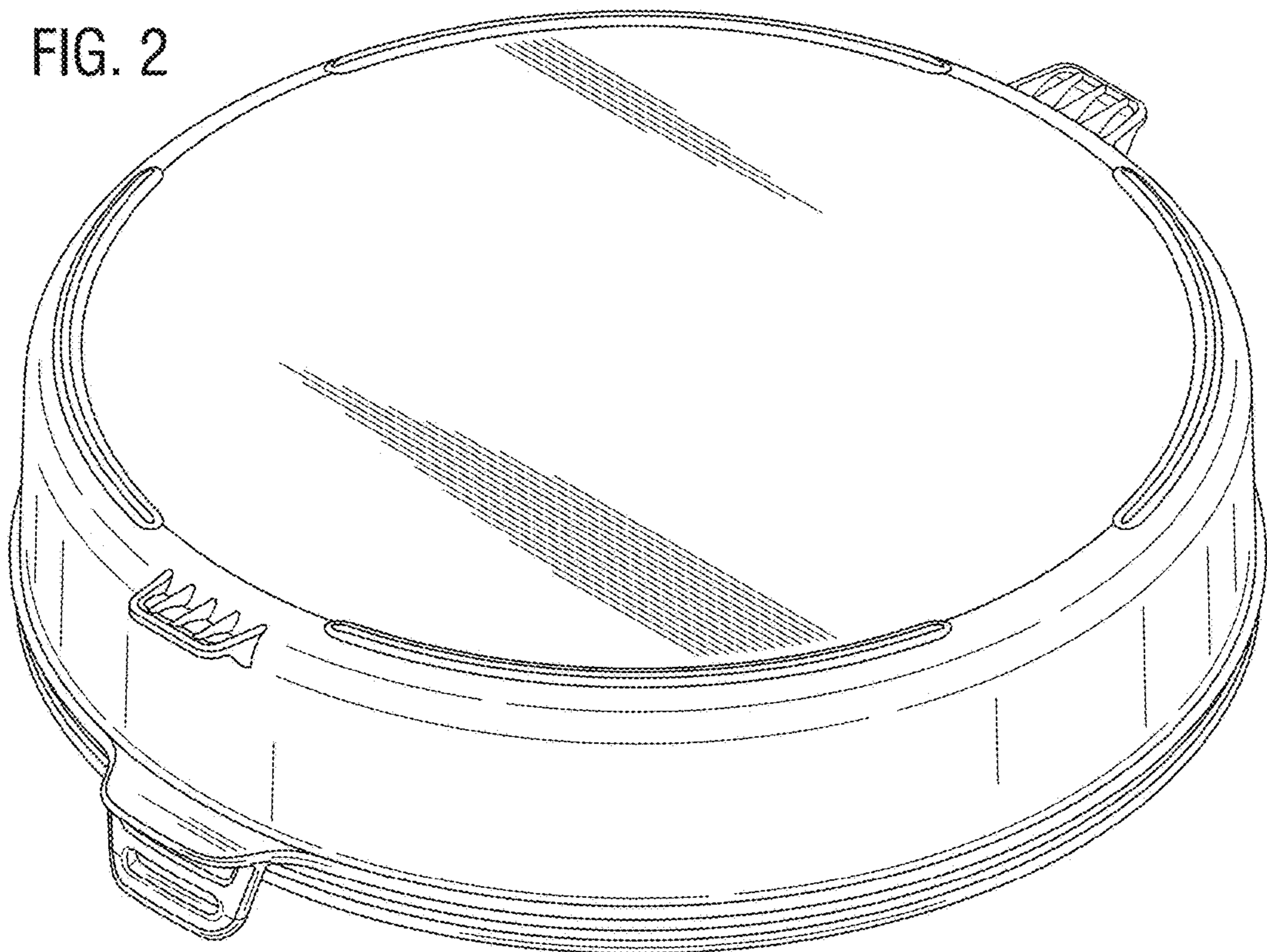


FIG. 2



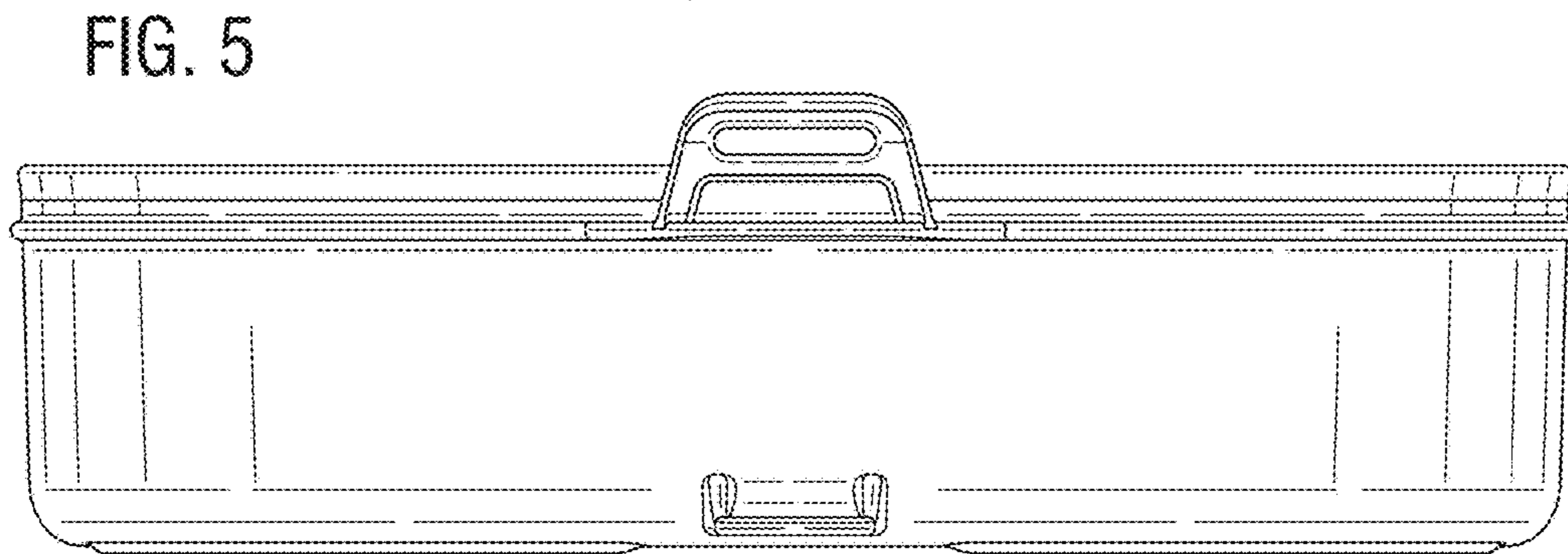
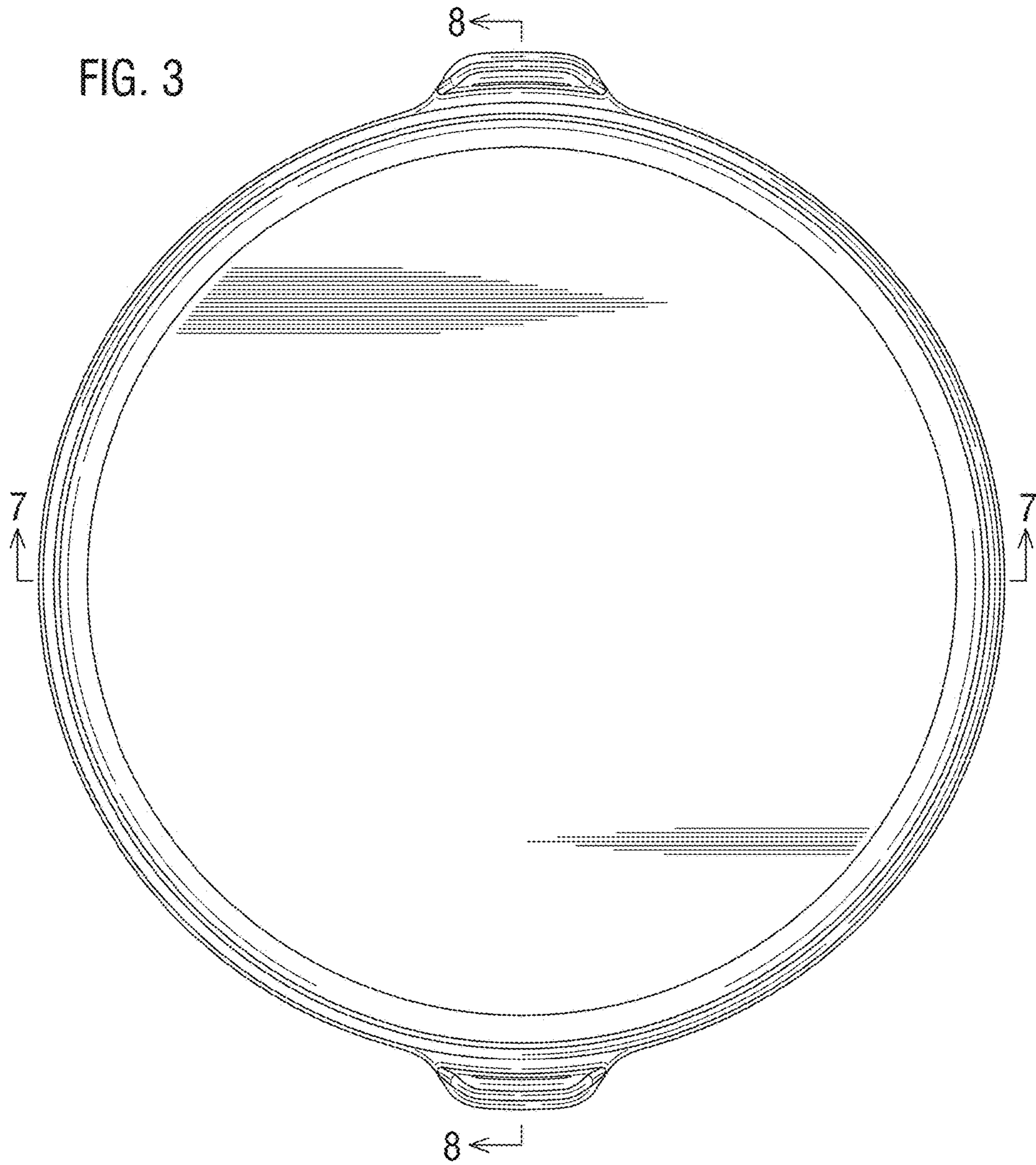


FIG. 4

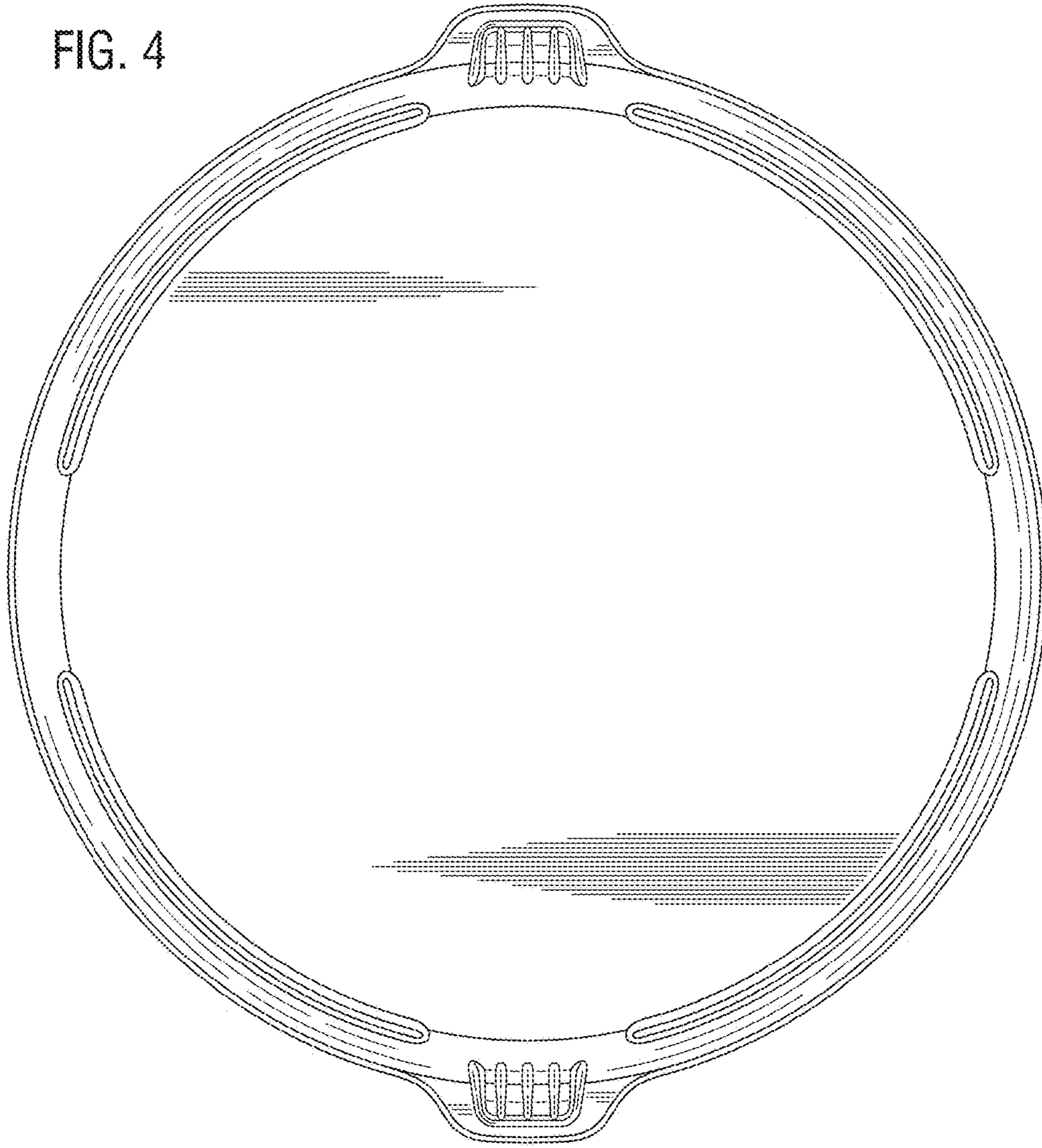


FIG. 6

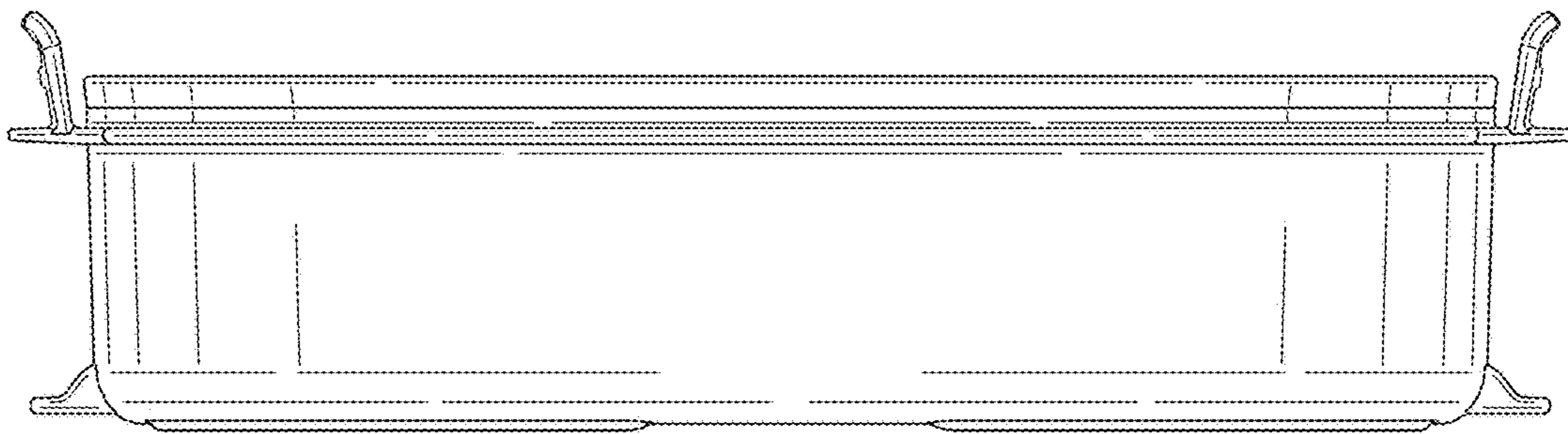


FIG. 7

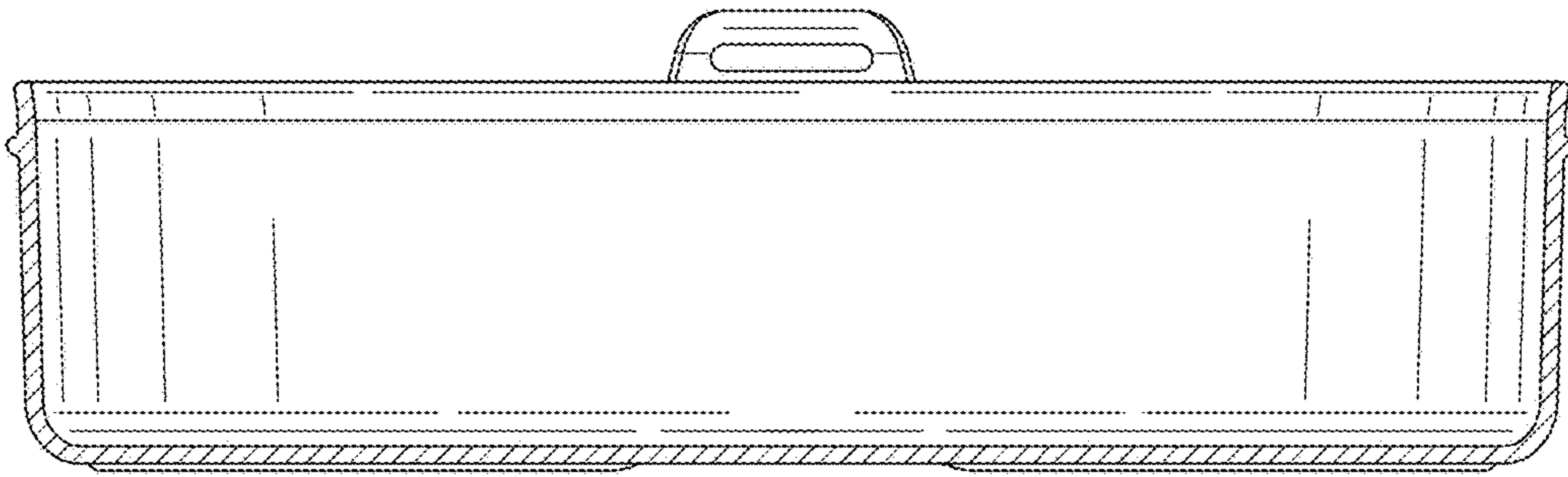


FIG. 8

